



US00D345828S

# United States Patent [19]

Stannard

[11] Patent Number: **Des. 345,828**

[45] Date of Patent: **\*\* Apr. 5, 1994**

[54] **COMBINED BIRDHOUSE AND CHIME**

[76] Inventor: **John Stannard, Box 666, Crystal Beach, Fla. 34681**

[\*\*] Term: **14 Years**

[21] Appl. No.: **692**

[22] Filed: **Oct. 21, 1992**

[52] U.S. Cl. .... **D30/110; D10/118**

[58] Field of Search ..... **84/402, 403, 404, 406; 116/141, 169; 446/421; 119/23, 51 R, 52 R; D10/104, 109, 116, 118, 119, 120; D11/141; D30/110, 111, 112**

[56] **References Cited**

**U.S. PATENT DOCUMENTS**

D. 75,618	6/1928	Faulkner	.....	D30/111
D. 269,468	6/1983	Babcock et al.	.....	D30/110
D. 272,810	2/1984	Stilson	.....	D10/116
D. 274,049	5/1984	Stilson	.....	D10/116

D. 281,917	12/1985	Myers et al.	.....	D30/110
D. 317,419	6/1991	Ronzheimer	.....	D10/116
4,693,162	9/1987	Lee	.....	D11/141
4,967,633	11/1990	Jewell, Jr.	.....	D10/116

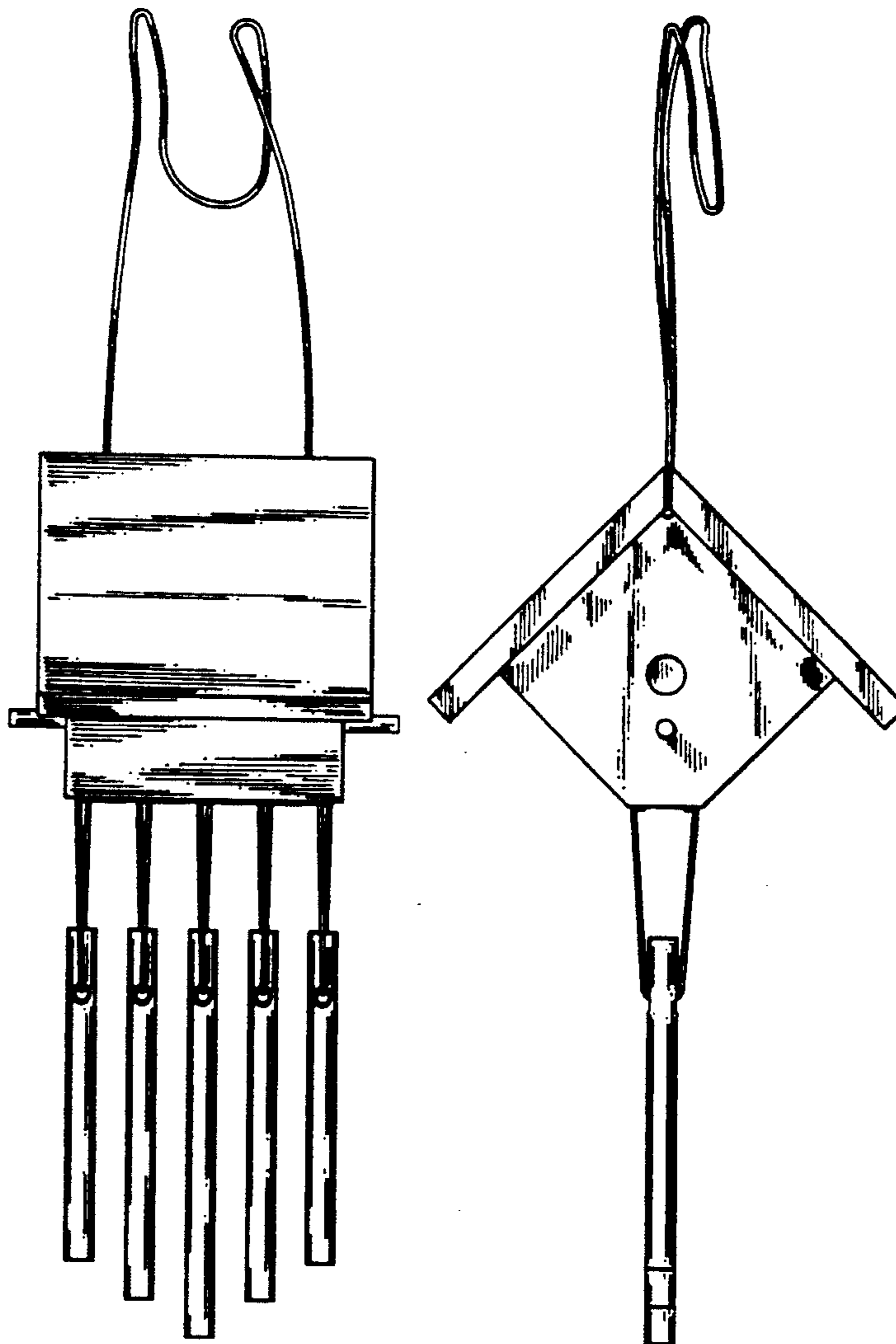
*Primary Examiner*—Wallace R. Burke  
*Assistant Examiner*—Marcus Jackson  
*Attorney, Agent, or Firm*—Joseph C. Mason, Jr.; Ronald E. Smith

[57] **CLAIM**

The ornamental design for a combined birdhouse and chime, as shown and described.

**DESCRIPTION**

FIG. 1 is a left side elevational view of a combined birdhouse and chime;  
FIG. 2 is a front elevational view thereof with the rear being a mirror image;  
FIG. 3 is a right side elevational view thereof;  
FIG. 4 is a top plan view thereof; and,  
FIG. 5 is a bottom plan view thereof.



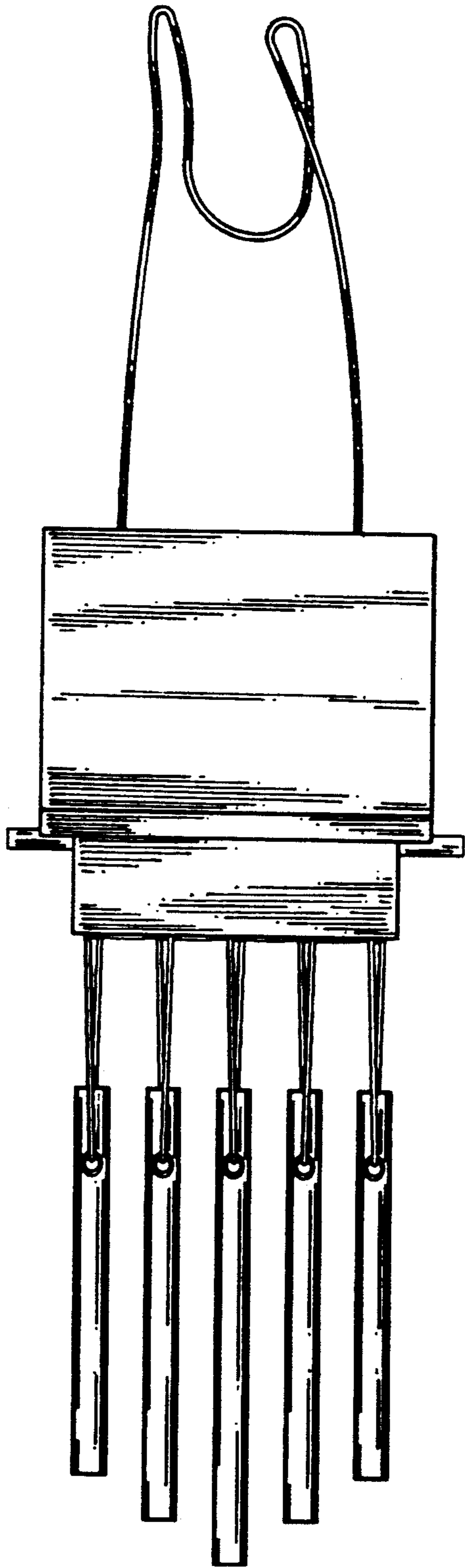


Fig. 1

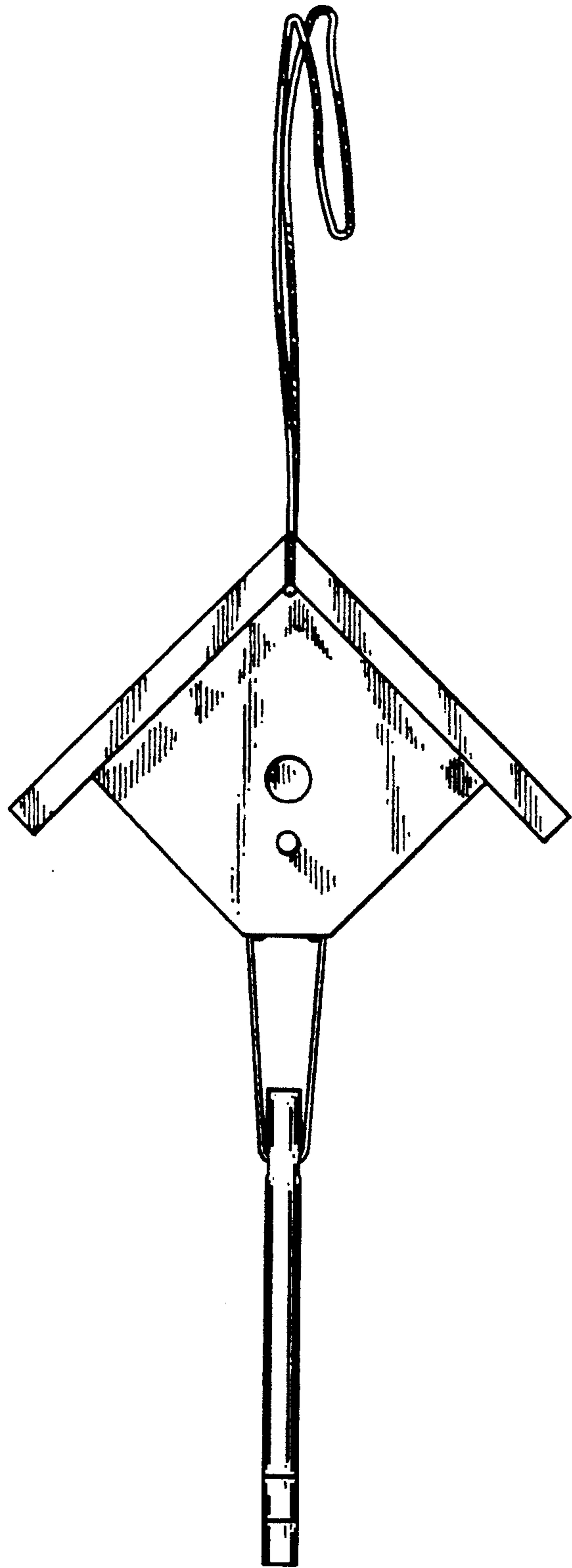


Fig. 2

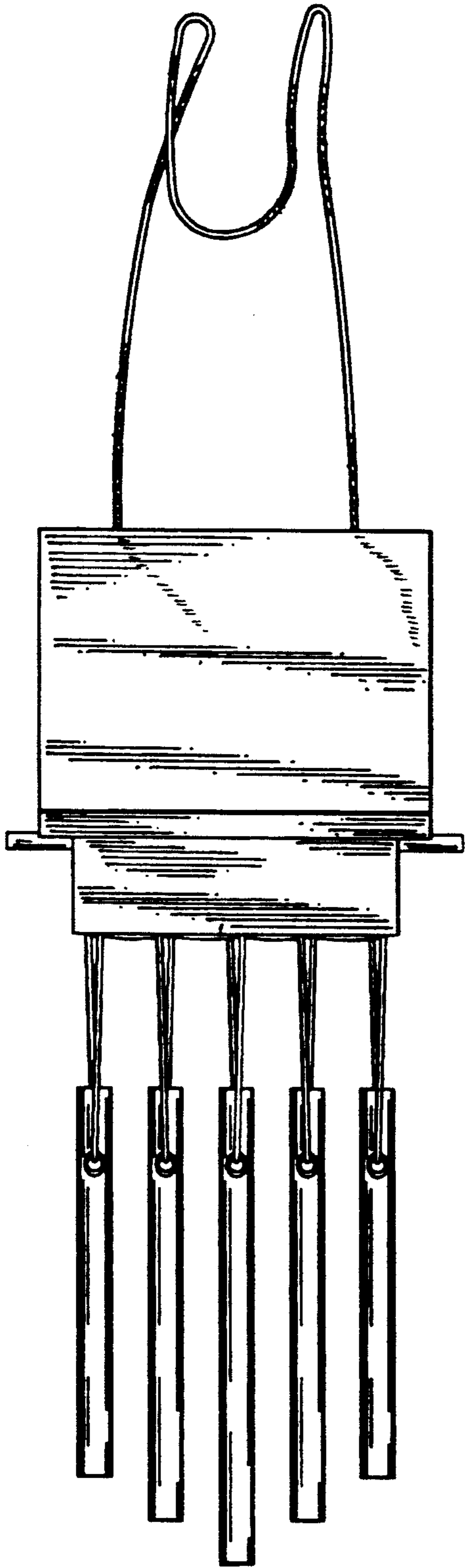


Fig. 3

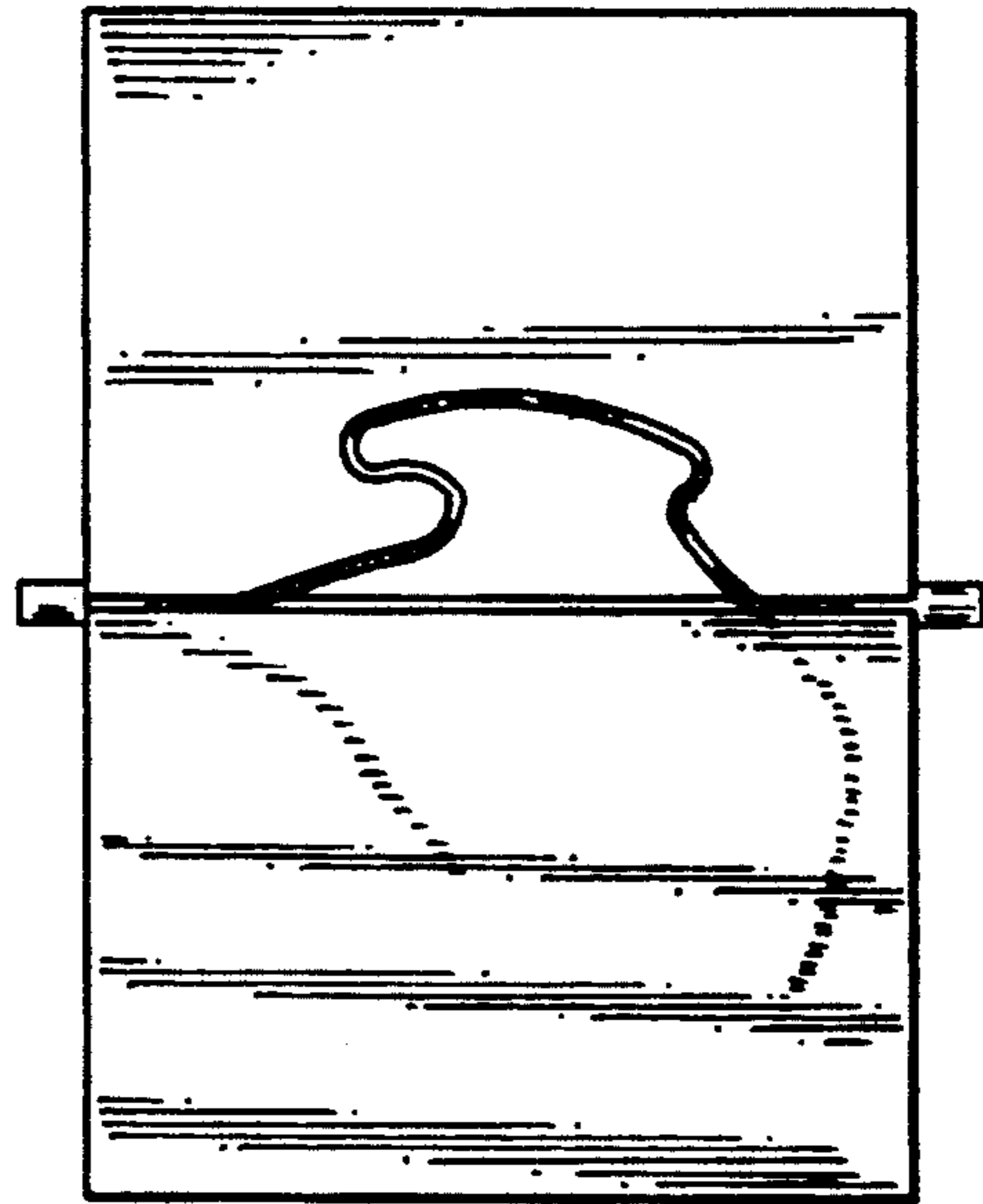


Fig. 4

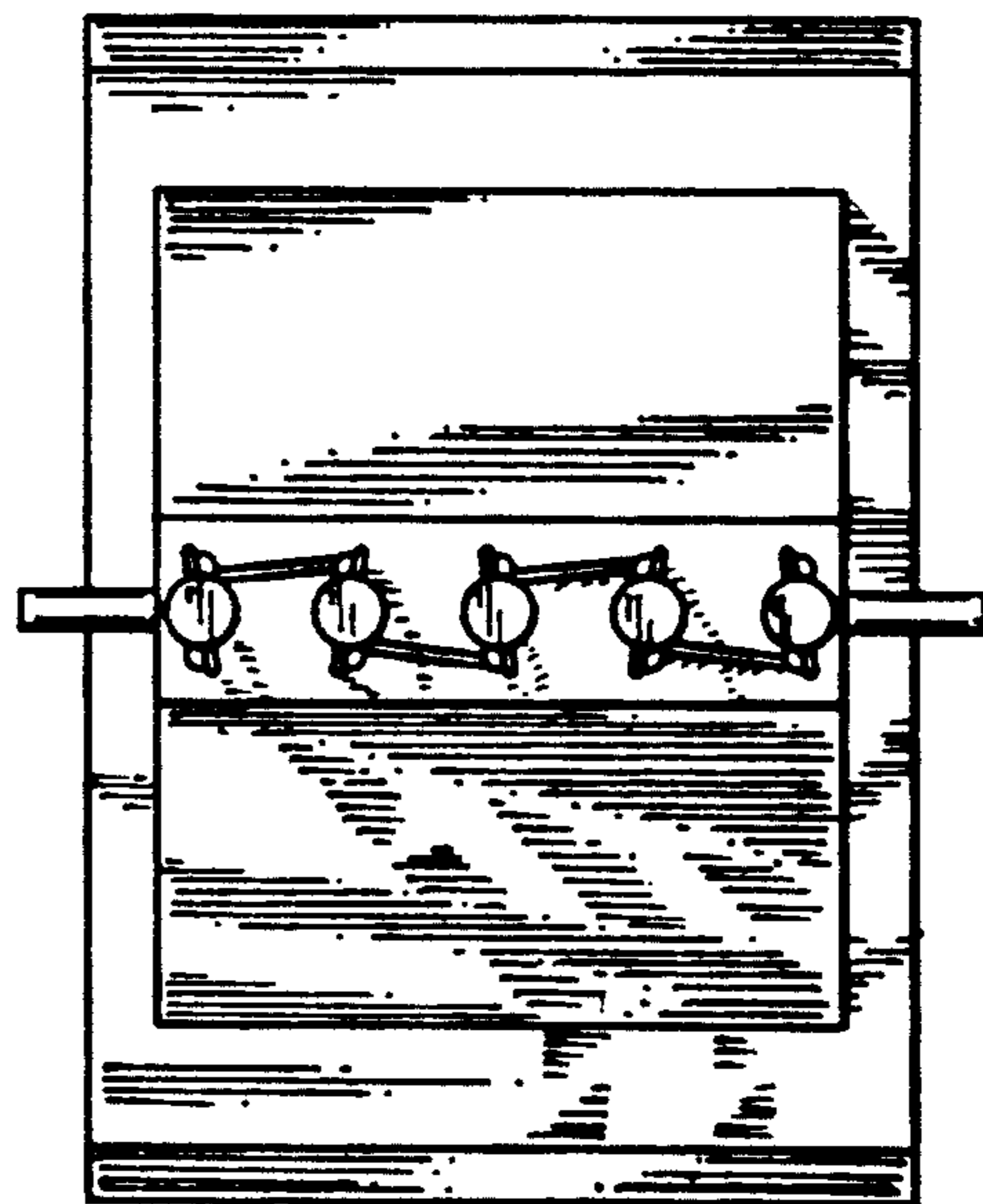


Fig. 5