



US00D345827S

# United States Patent [19]

Yang

[11] Patent Number: **Des. 345,827**

[45] Date of Patent: **\*\* Apr. 5, 1994**

## [54] LIPSTICK CASE

[76] Inventor: **Shen-Shyong Yang**, No. 227-17,  
Tay-Tzyy-Miaw, Tay-Tzyy Tsuen,  
Ren-Der Shiang, Tainan Hsien,  
Taiwan

[\*\*] Term: **14 Years**

[21] Appl. No.: **875,139**

[22] Filed: **Apr. 29, 1992**

[52] U.S. Cl. .... **D28/87; D21/52**

[58] Field of Search ..... **D9/307, 338; 132/317,  
132/318; 401/88, 89, 98; 206/385, 457; D28/85,  
87, 89; D21/51, 52; D19/42, 82, 97; D11/157**

## [56] References Cited

### U.S. PATENT DOCUMENTS

D. 100,588	7/1936	Stone	.....	D28/87
D. 106,222	9/1937	Terbey	.....	D9/320
D. 120,917	6/1940	Nassour	.....	D9/318
D. 148,178	12/1947	McNaughton	.....	D21/52
2,309,000	1/1943	Morrison	.....	401/61
2,521,168	9/1950	Houlihan	.....	401/61

## FOREIGN PATENT DOCUMENTS

770590 3/1920 United Kingdom ..... 401/63

## OTHER PUBLICATIONS

E. S. Lowe Company, Inc. Cat; p. 1; top: Knight Ches-  
spiece.

*Primary Examiner*—B. J. Bullock

*Assistant Examiner*—C. Tuttle

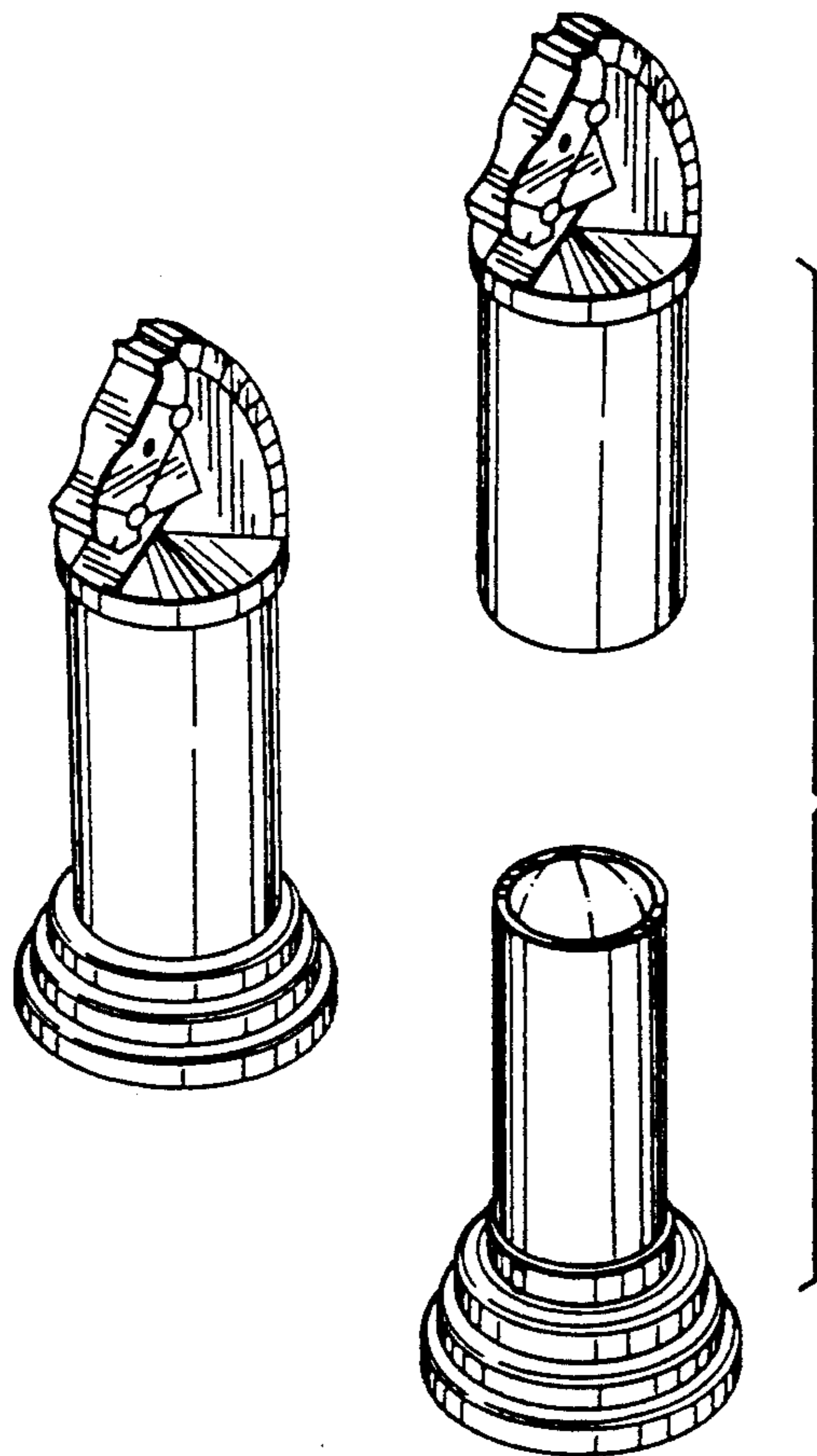
*Attorney, Agent, or Firm*—Cushman, Darby & Cushman

## [57] CLAIM

The ornamental design for a lipstick case, as shown and  
described.

## DESCRIPTION

FIG. 1 is a perspective view of a lipstick case showing  
my new design;  
FIG. 2 is a front elevational view thereof;  
FIG. 3 is a rear elevational view thereof;  
FIG. 4 is a left side elevational view thereof;  
FIG. 5 is a right side elevational view thereof;  
FIG. 6 is a top plan view thereof;  
FIG. 7 is a bottom plan view thereof; and,  
FIG. 8 is a perspective view shown in an open position.  
The broken line showing of lipstick in FIG. 8 is for  
illustrative purposes only and forms no part of the  
claimed design.



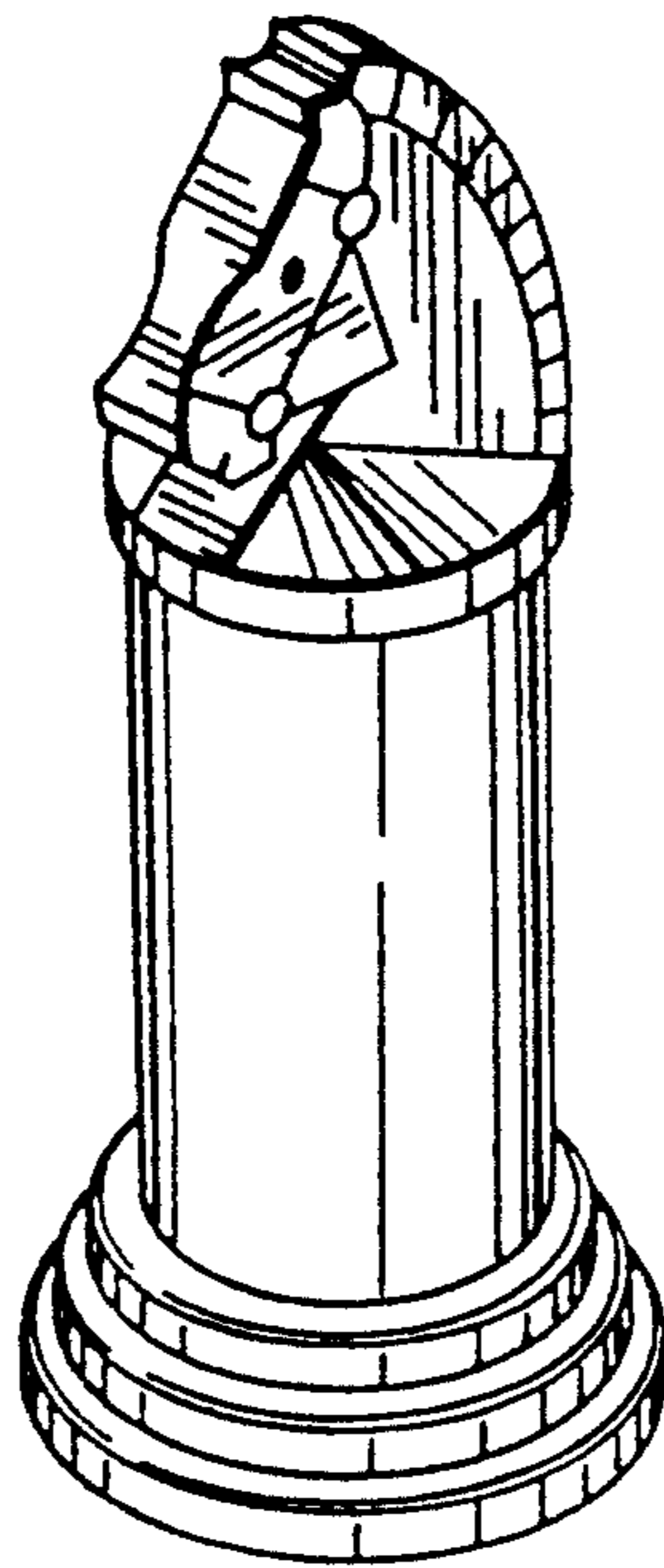


FIG. 1

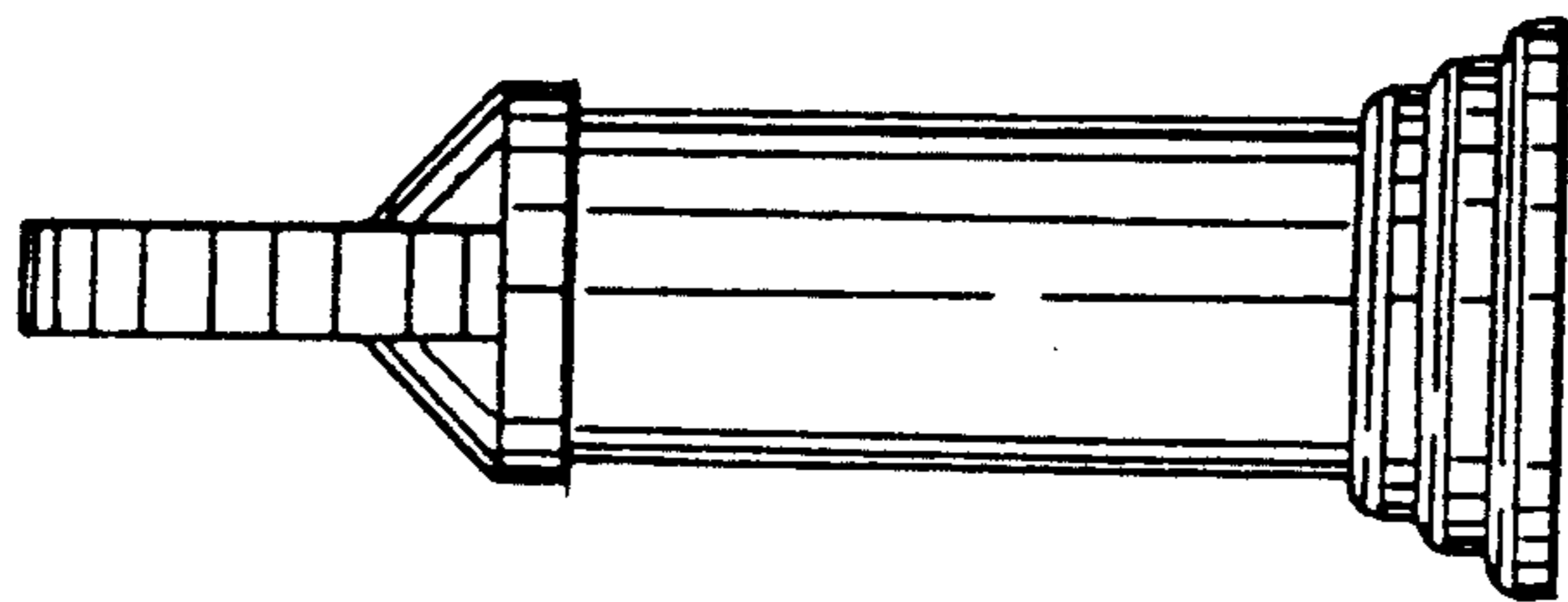


FIG. 3

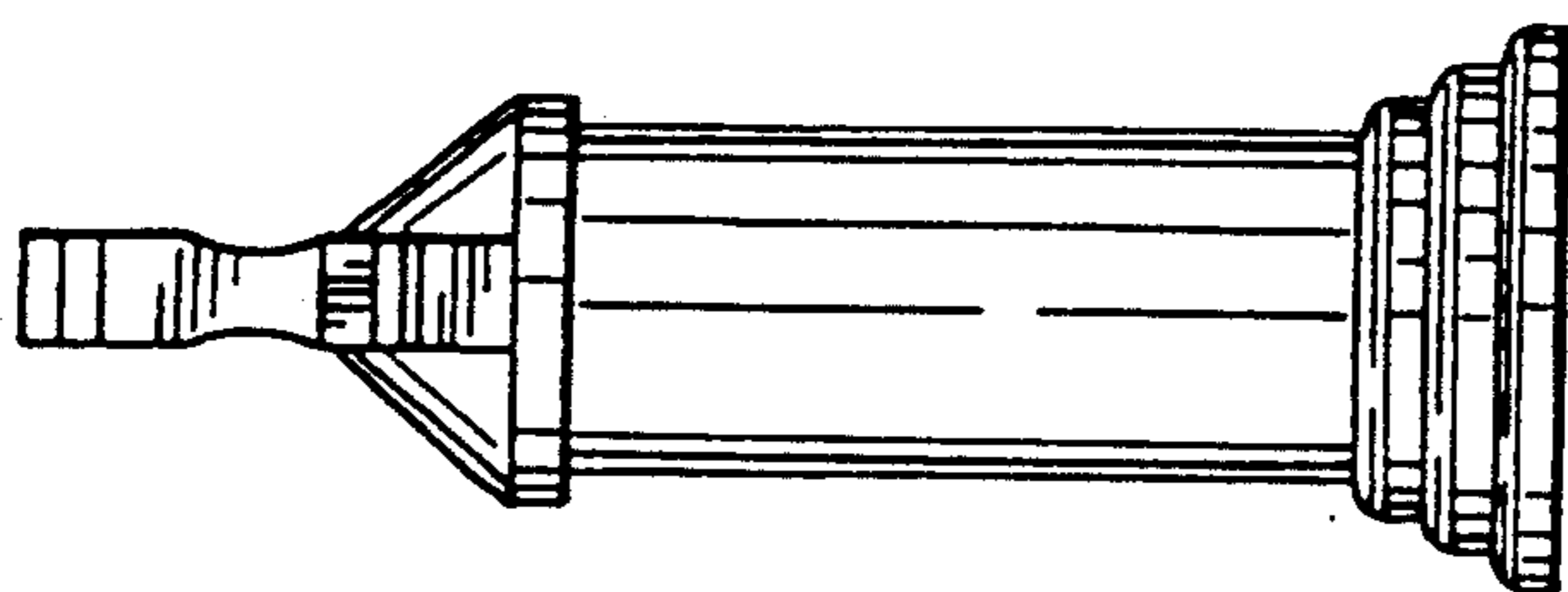


FIG. 2

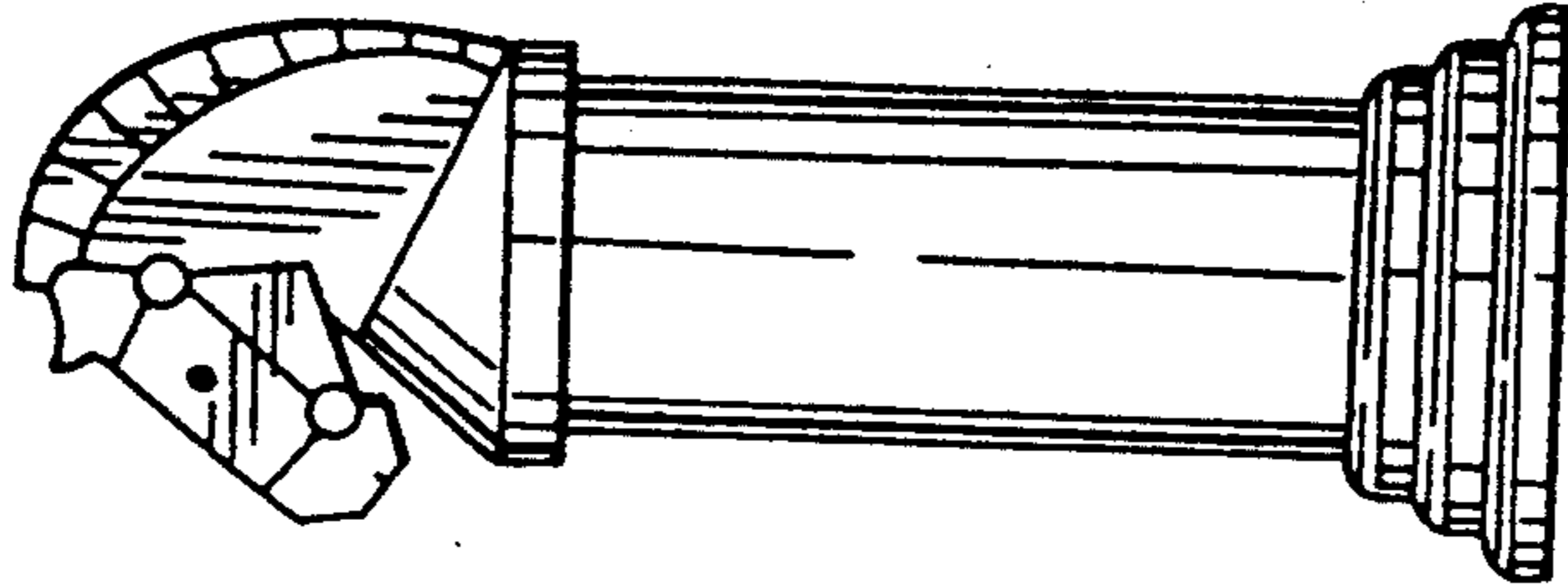


FIG. 5

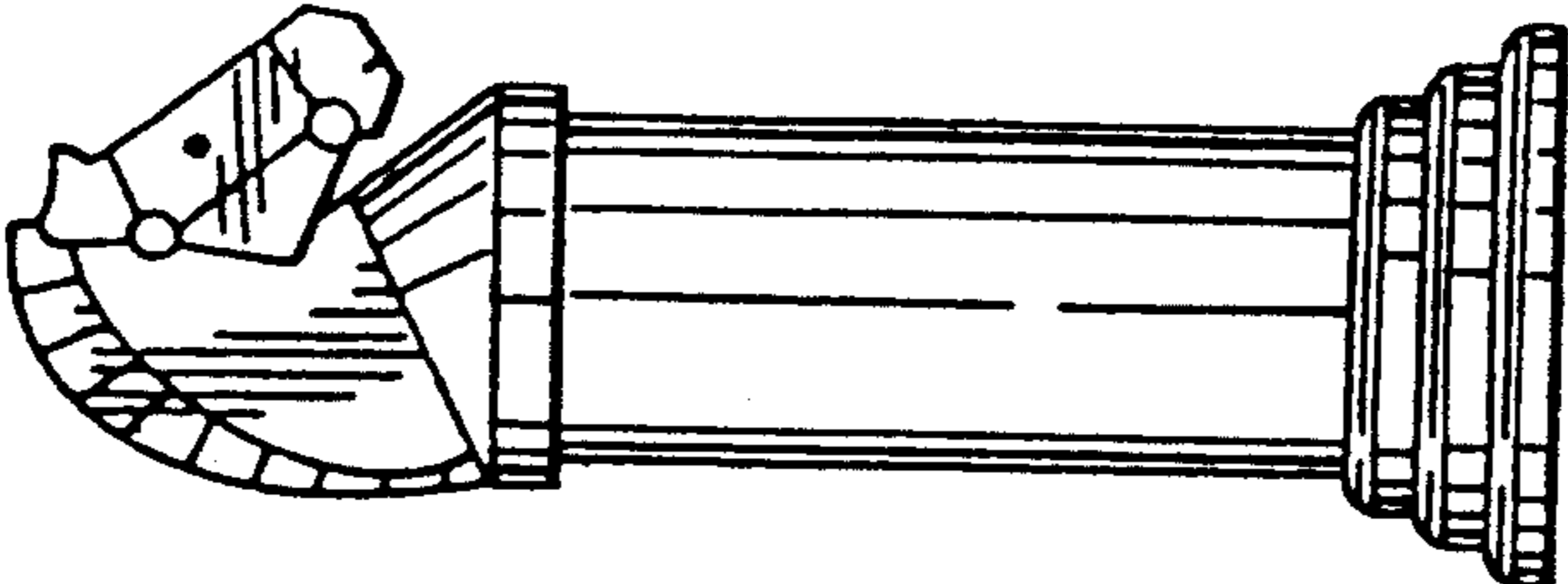


FIG. 4

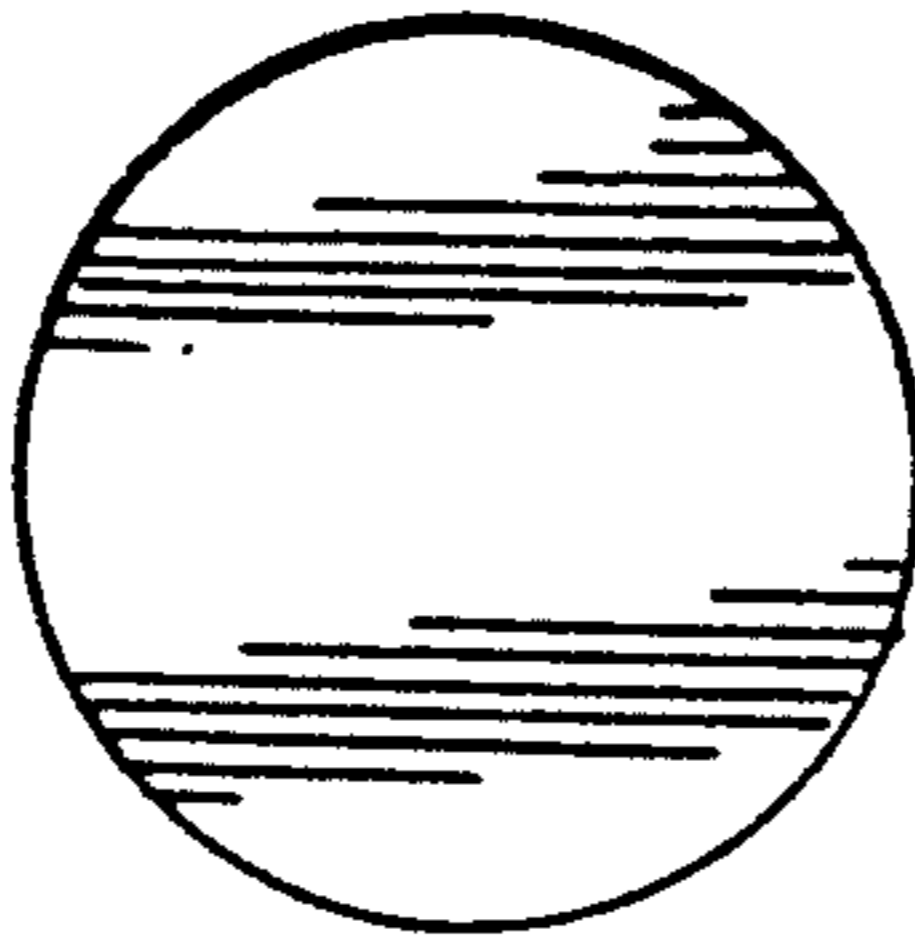


FIG. 7

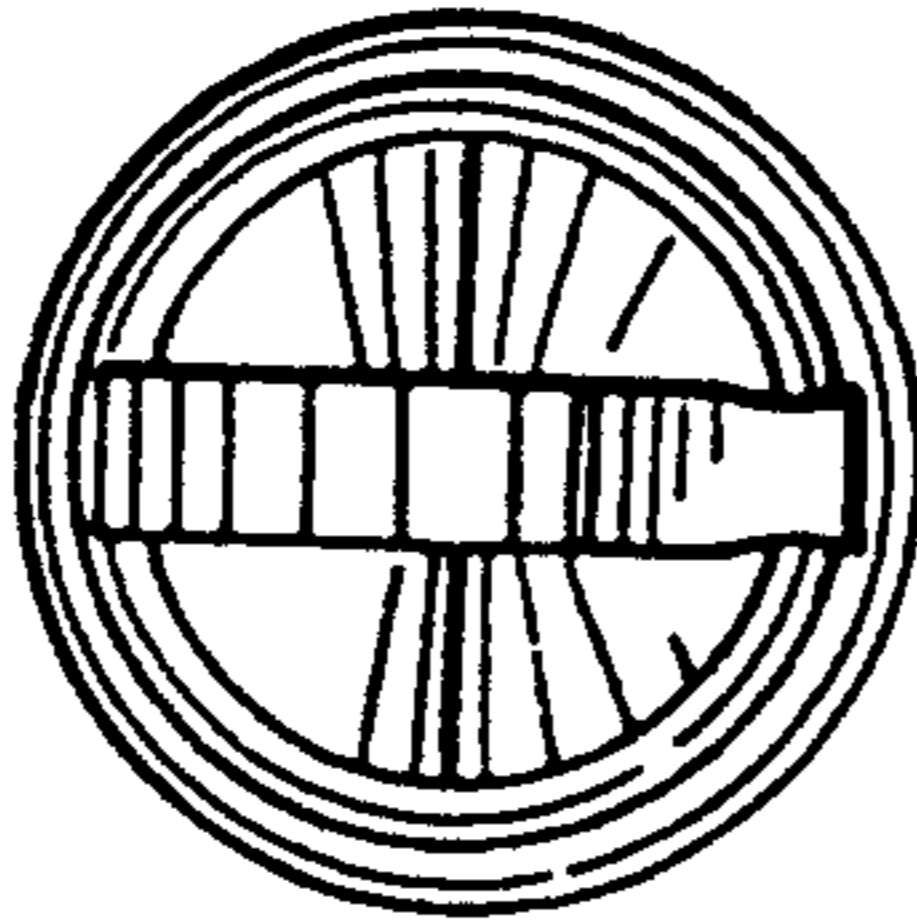


FIG. 6

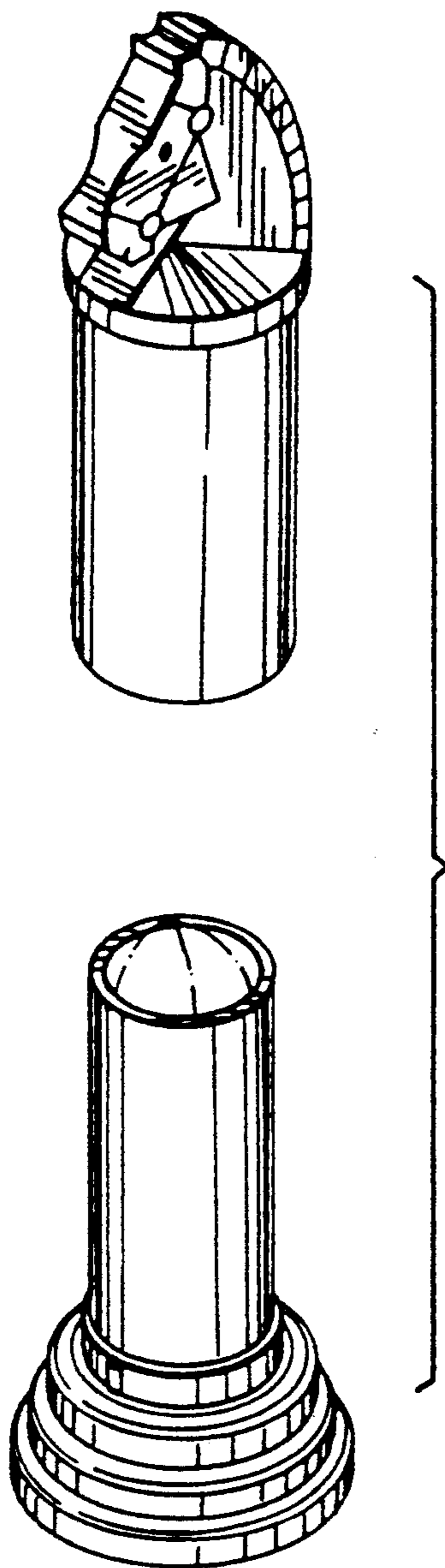


FIG. 8