



US00D345826S

# United States Patent [19]

[11] Patent Number: Des. 345,826

Byars et al.

[45] Date of Patent: \*\* Apr. 5, 1994

## [54] COSMETIC COMPACT

[75] Inventors: Tammye Byars, Cordova; Jerry W. Bonnot, Memphis; John M. B. Ford, Cordova, all of Tenn.

[73] Assignee: Maybelle, Inc., Memphis, Tenn.

[\*\*] Term: 14 Years

[21] Appl. No.: 779,605

[22] Filed: Oct. 21, 1991

[52] U.S. Cl. .... D28/83

[58] Field of Search ..... D9/341, 347, 418, 420, D9/423; 132/293, 294, 297, 313-317; 206/235, 581, 823; D28/76-84

## [56] References Cited

### U.S. PATENT DOCUMENTS

D. 243,724	1/1985	Kingsford et al. ....	D28/83
D. 280,450	9/1985	Schefer .....	D28/78
D. 291,609	8/1987	Bakic .....	D28/83
D. 295,452	4/1988	Bakic .....	D28/83
D. 303,582	9/1989	Gavin .....	D28/78
D. 321,416	11/1991	Bakic .....	D28/83
D. 324,587	3/1992	DiNuccio .....	D28/78

### OTHER PUBLICATIONS

"Vogue", May, 1988, p. 45—Compact in lower right corner.

"D & C. I." Apr. 1986 p. 66 left center of page: open rectangular compacts.

Avon, compaign 3 of 1989, p. 33: duo, trio & quad silk finish compacts; and duo powder blush compact.

Mademoiselle Jun. 1989, p. compact in lower right corner.

Mademoiselle, Dec. 1989 p. 16: Compacts at center and bottom of page.

Beautiful Visions advertising circular; p. 24 compact w/brush at center.

Vogue Sep. 1990, p. 105: Compact on lower right.

Primary Examiner—B. J. Bullock

Assistant Examiner—C. Tuttle

Attorney, Agent, or Firm—Sherman and Shalloway

## [57] CLAIM

The ornamental design for a cosmetic compact, as shown and described.

## DESCRIPTION

FIG. 1 is a top plan view of a cosmetic compact showing our new design;

FIG. 2 is a top plan view of a second modified embodiment;

FIG. 3 is a top plan view of a third modified embodiment;

FIG. 4 is a top plan view of a fourth modified embodiment;

FIG. 5 is a front elevational view of all embodiments;

FIG. 6 is a rear elevational view of all embodiments;

FIG. 7 is a left side elevational view of all the embodiments, the side opposite being a mirror image of the side shown;

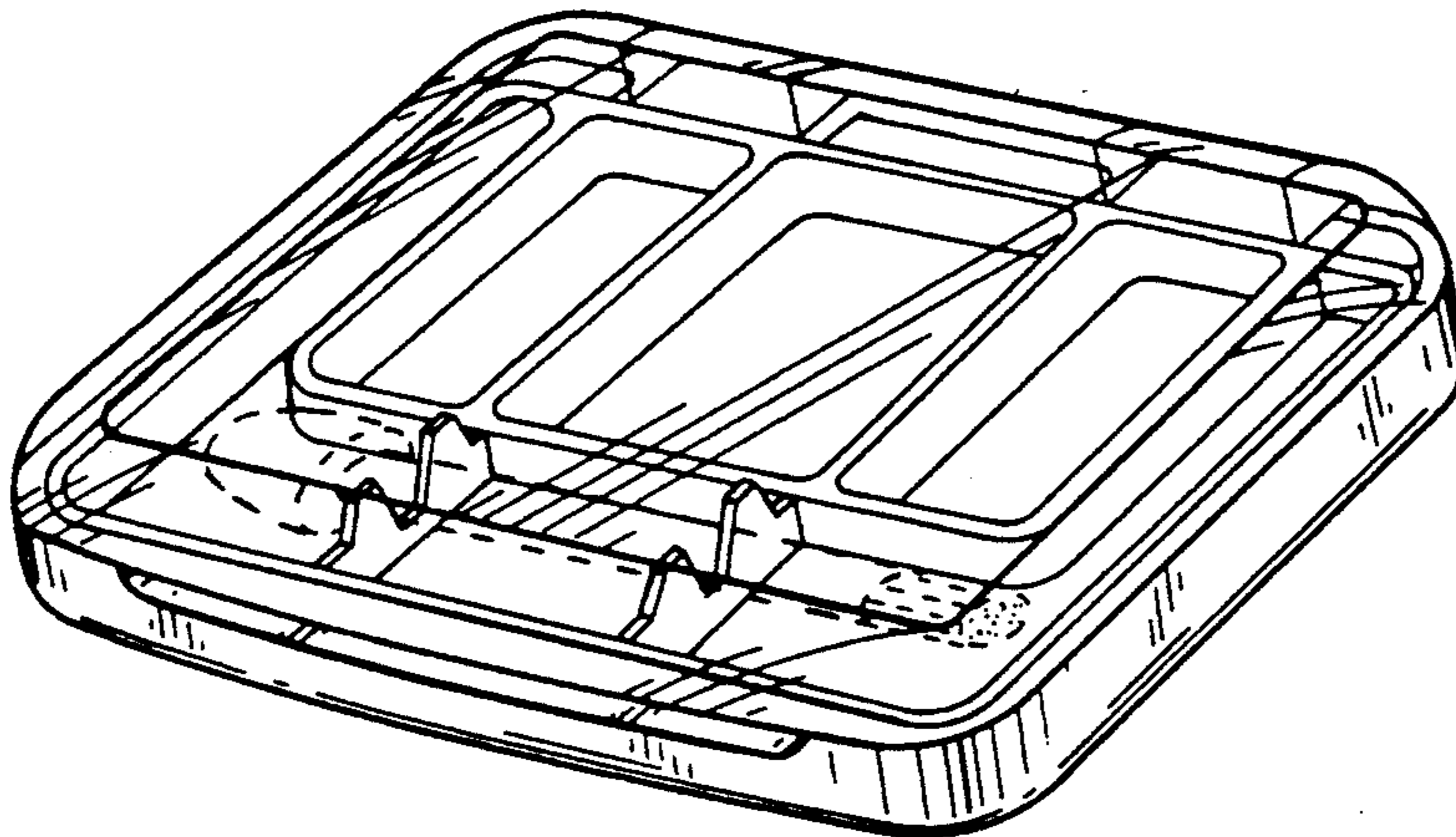
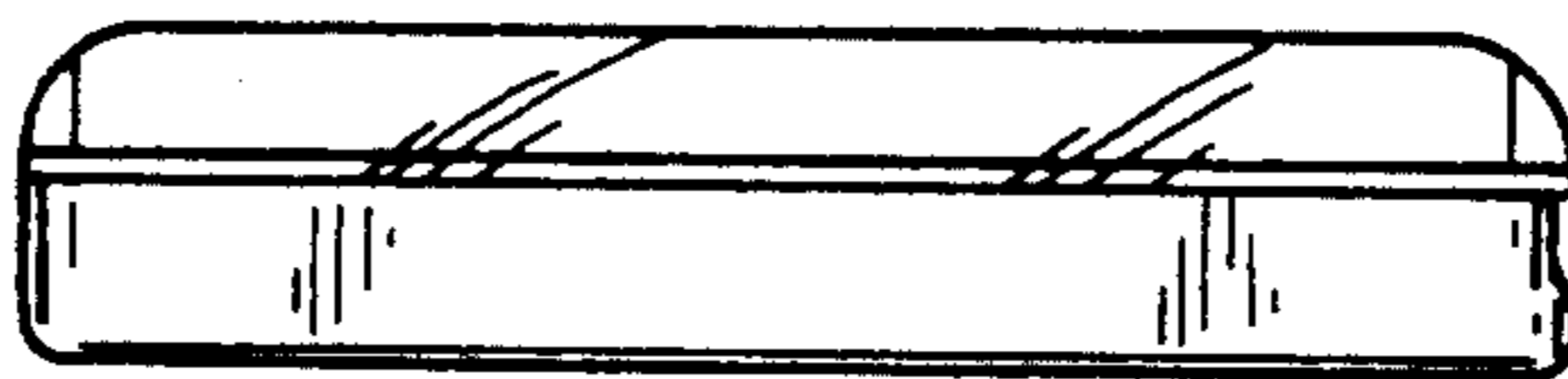
FIG. 8 is a bottom plan view of all embodiments;

FIG. 9 is a perspective view of the first disclosed embodiment; and,

FIG. 10 is a perspective view.

The broken line showing of the makeup brush is for illustrative purposes only and forms no part of the claimed design.

The partially disclosed embodiments represented in FIGS. 2-4 are identical in all respects to the first disclosed embodiment, except for the arrangement of the interior compartments.



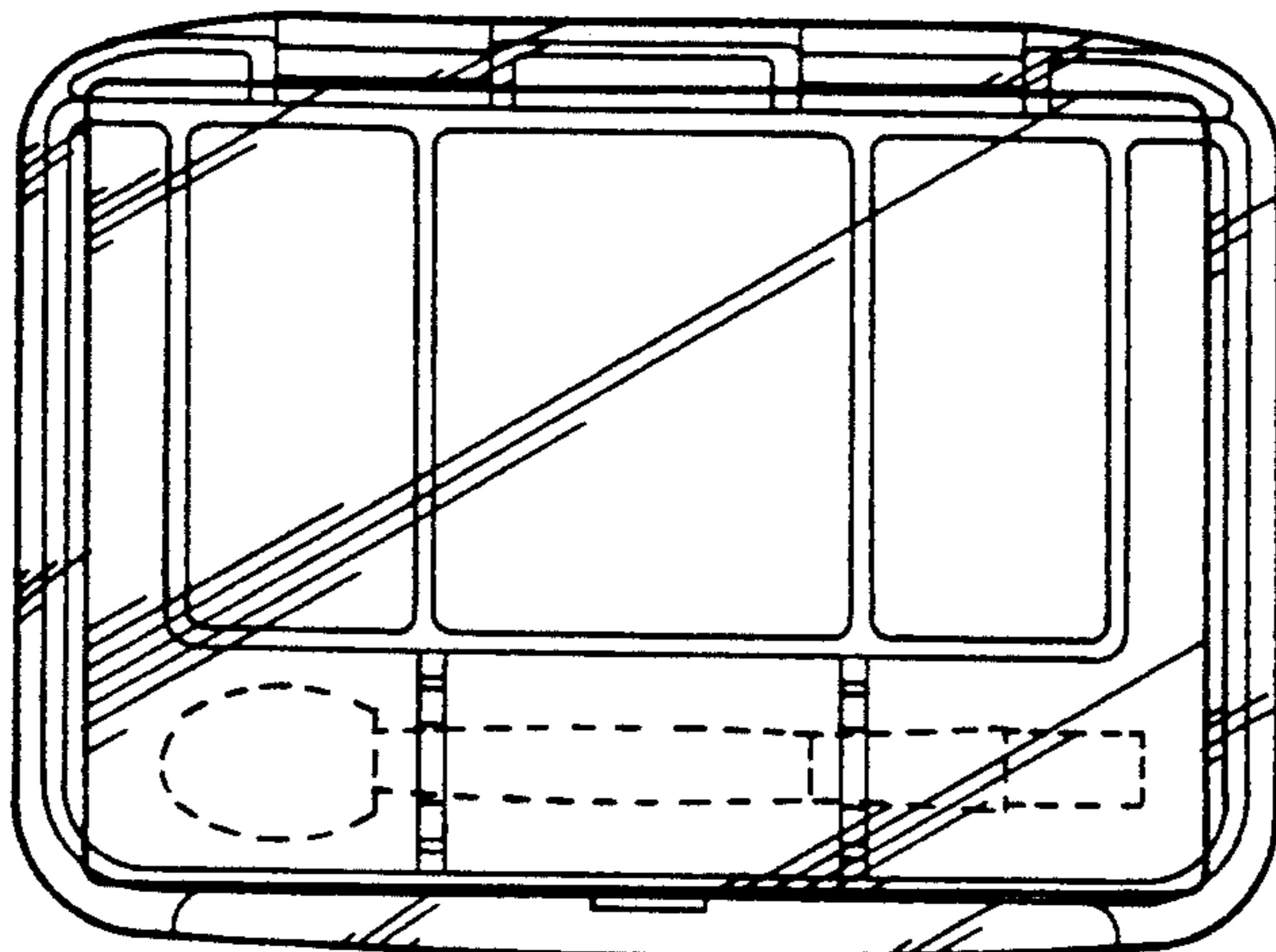


FIG. 1

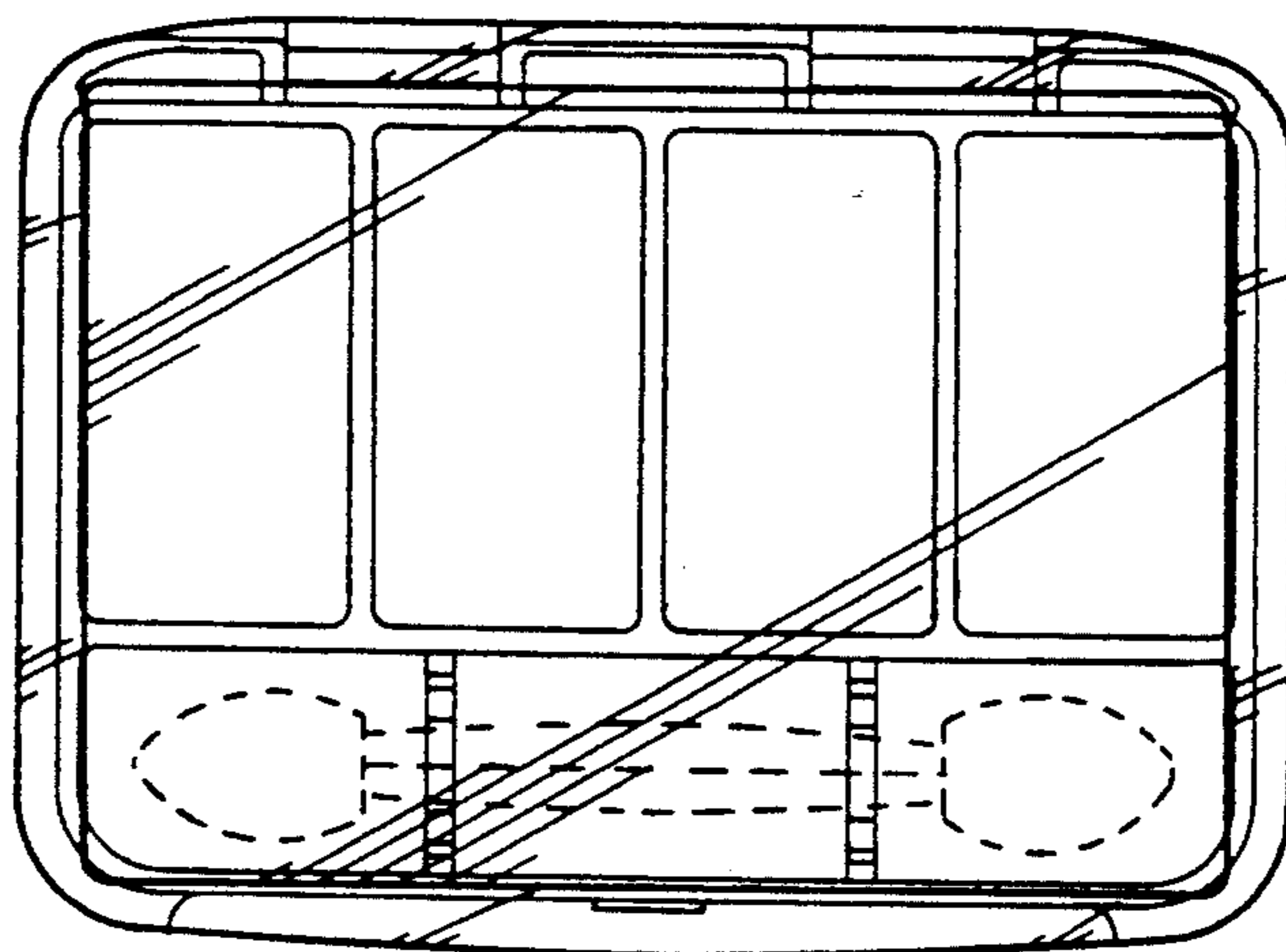


FIG. 2

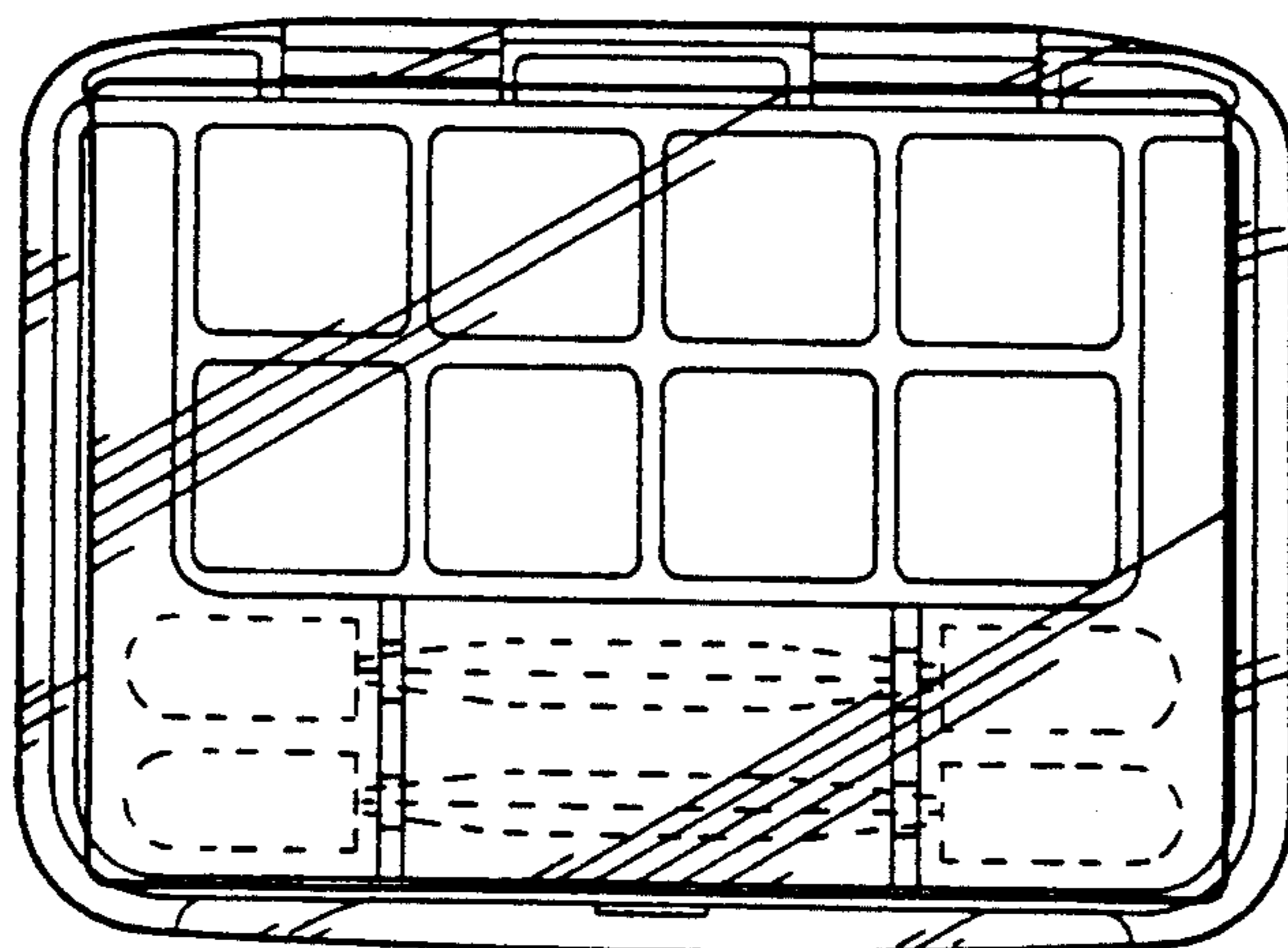


FIG. 3

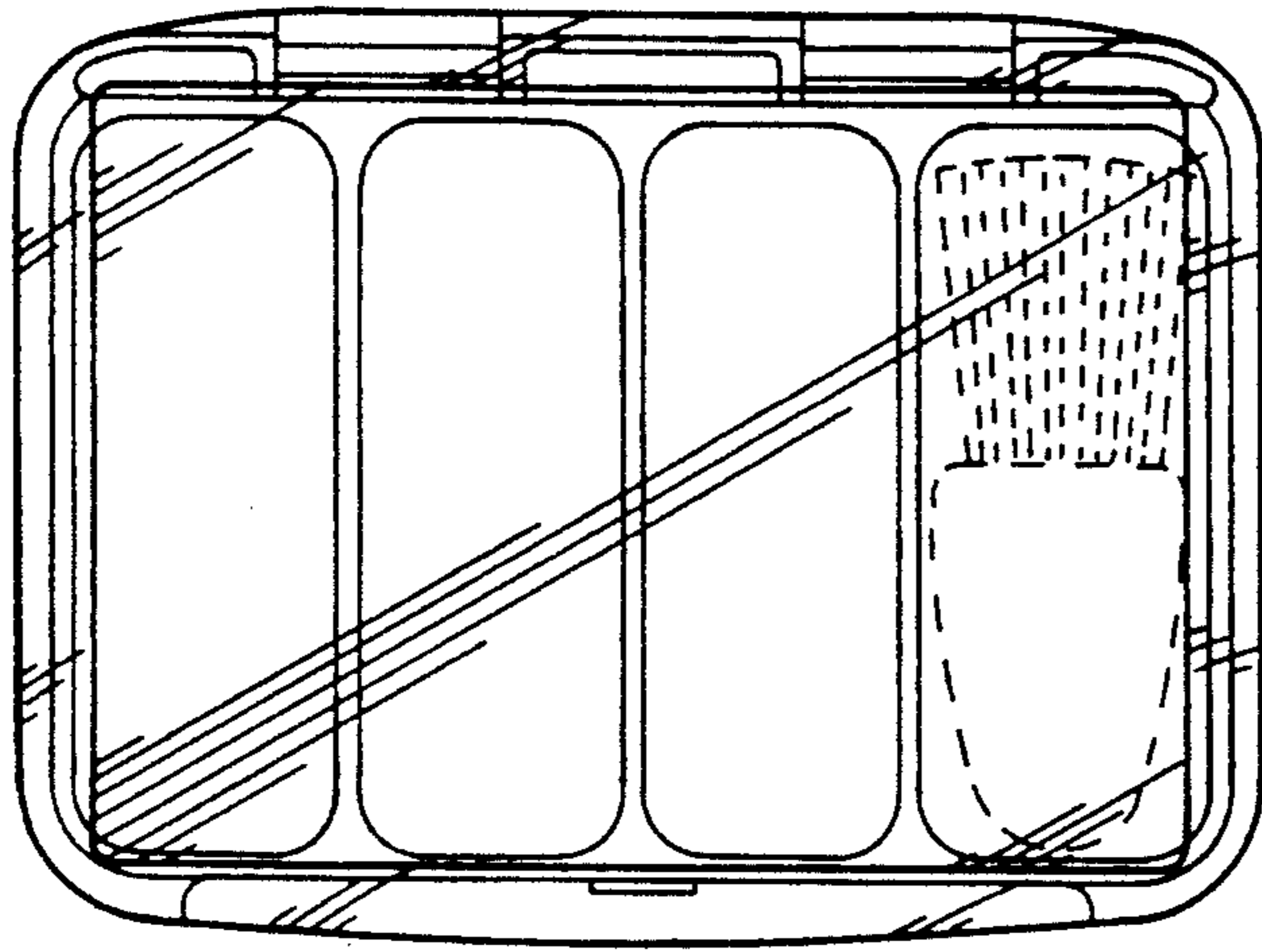


FIG. 4

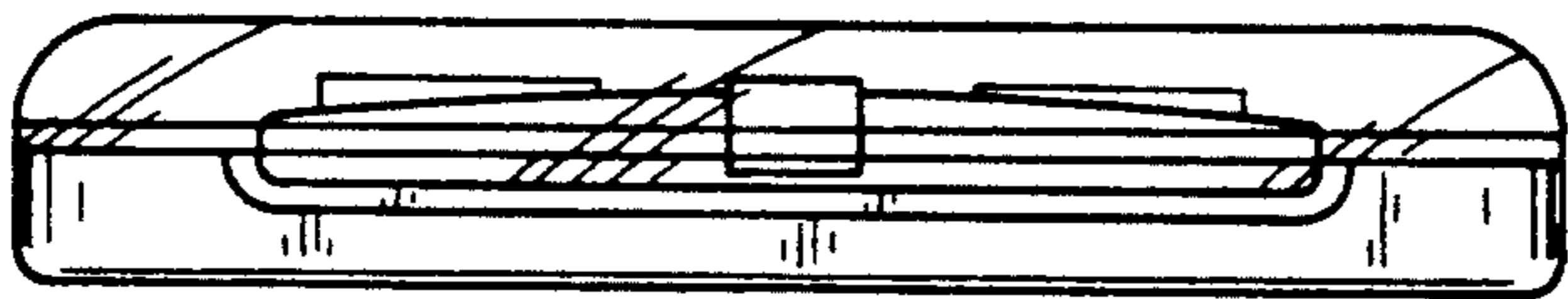


FIG. 5

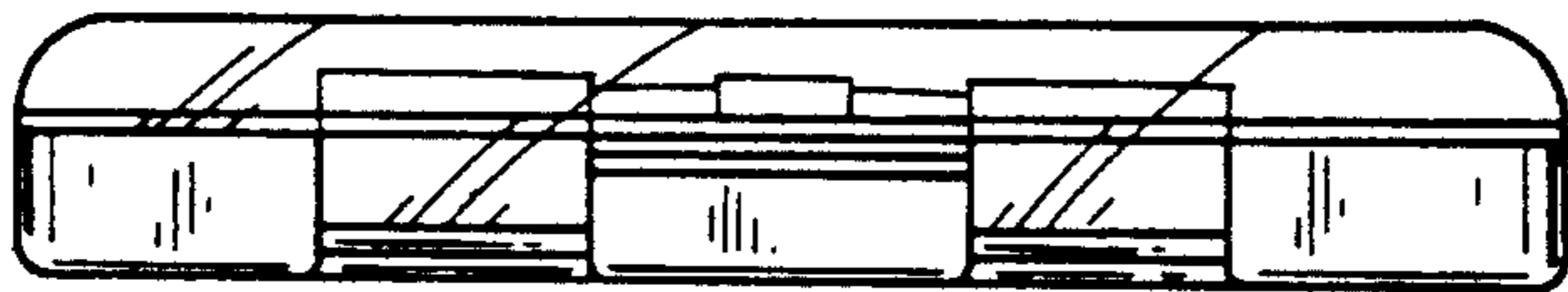


FIG. 6

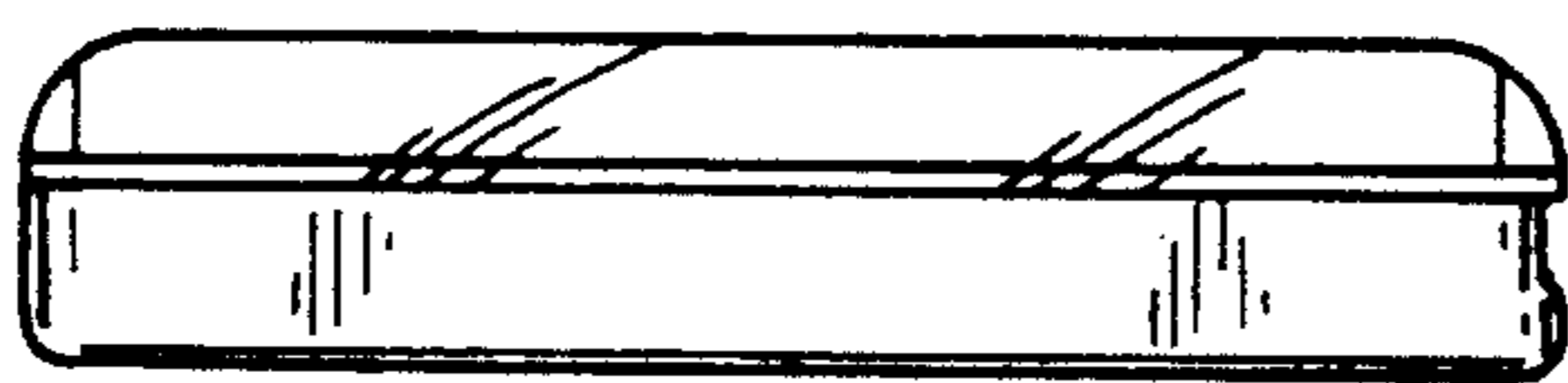


FIG. 7

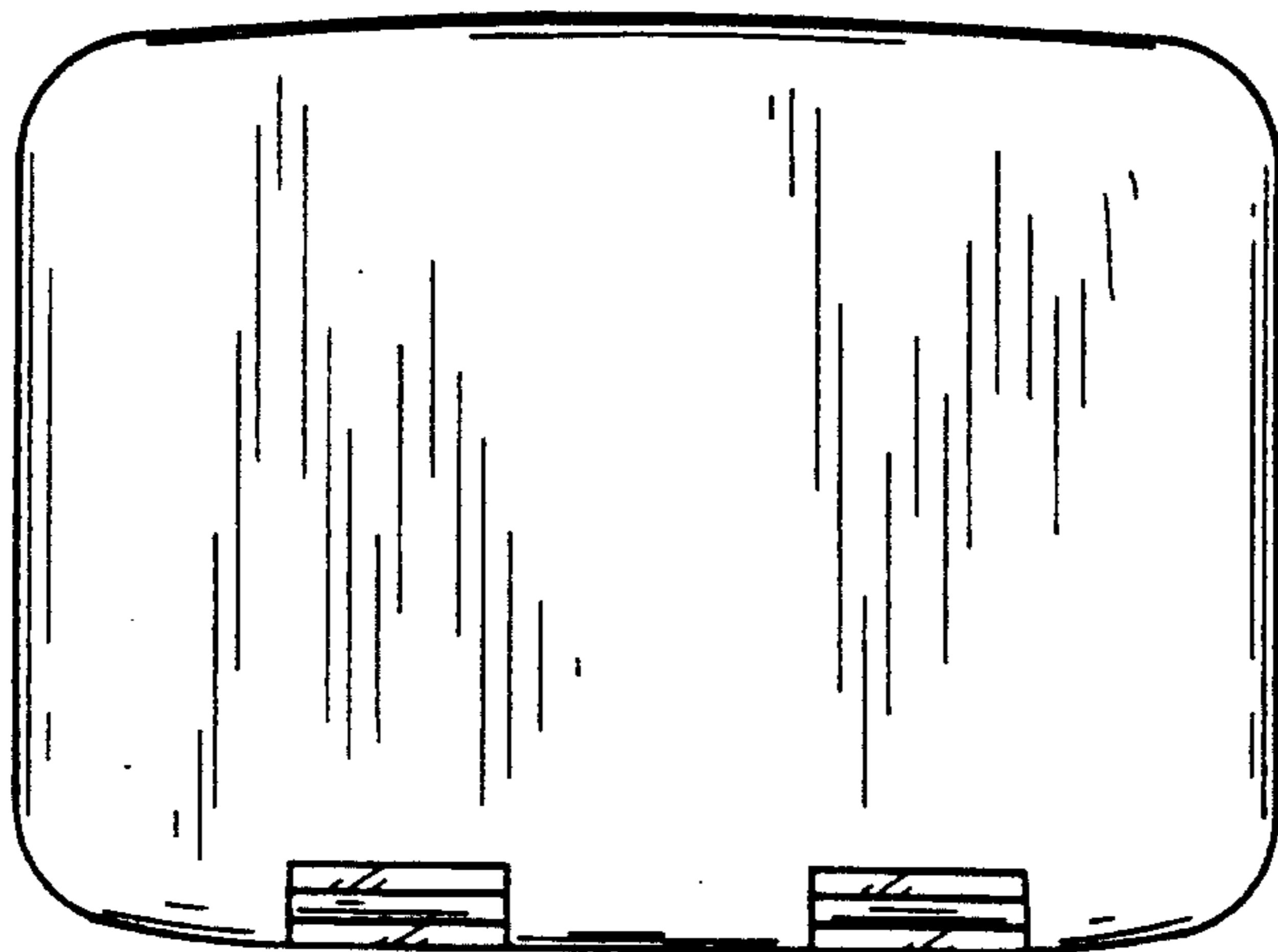


FIG. 8

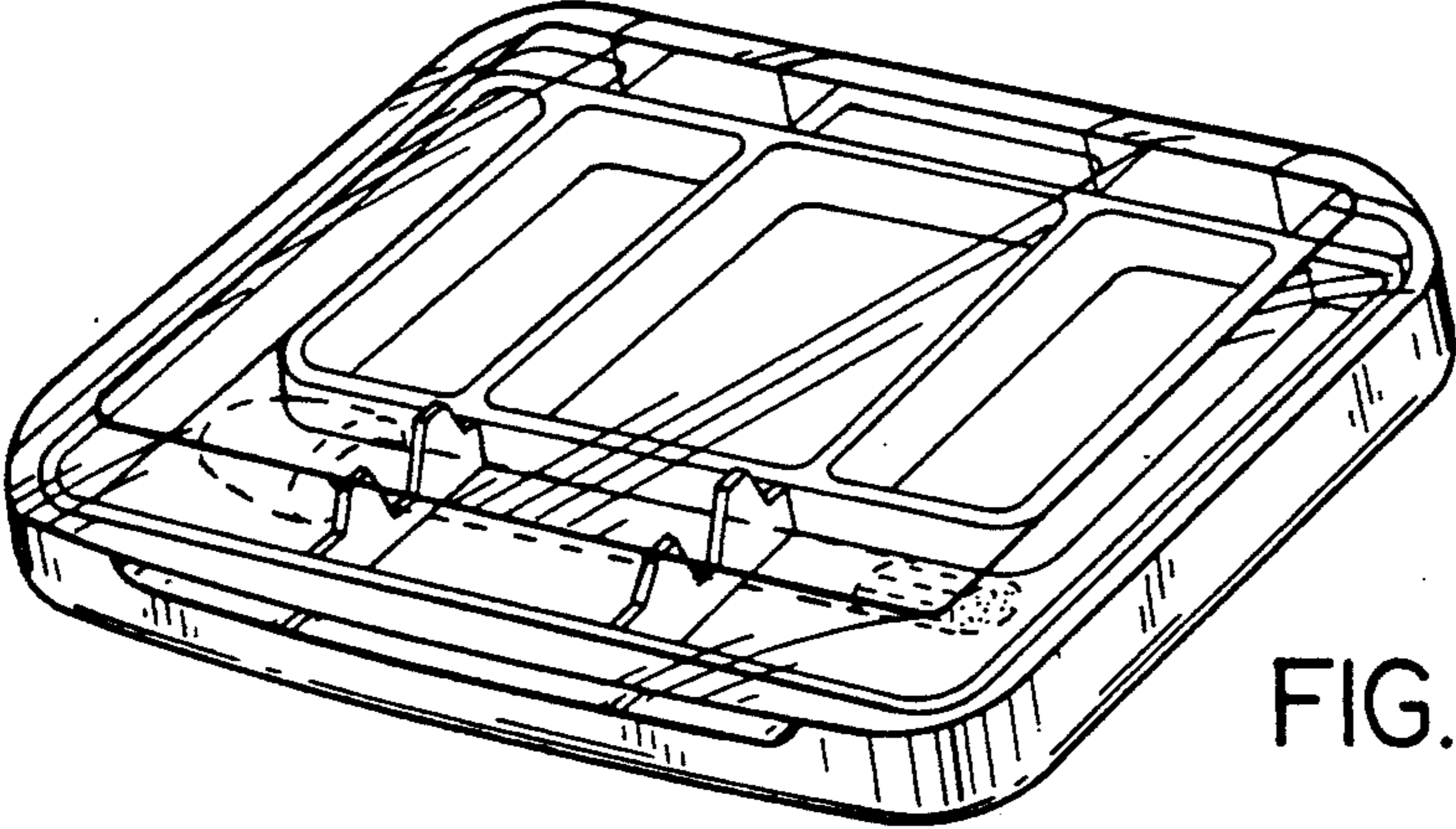


FIG. 9



FIG. 10