



US00D345820S

United States Patent [19]

Van Dyk

[11] Patent Number: **Des. 345,820**

[45] Date of Patent: **** Apr. 5, 1994**

[54] **COMB**

[75] **Inventor:** Thomas Van Dyk, Prospect Park, N.J.

[73] **Assignee:** Goody Products, Inc., Kearny, N.J.

[**] **Term:** 14 Years

[21] **Appl. No.:** 878,327

[22] **Filed:** May 4, 1992

[52] **U.S. Cl.** D28/28

[58] **Field of Search** 132/219, 126, 127, 139, 132/140, 158, 159, 161, 162; D28/21-34

1,662,330 3/1928 Privitera 132/144
 2,636,498 4/1953 Servilla 132/149
 3,952,755 4/1976 Fisher 132/161
 4,815,484 3/1989 Stevenson 132/161

Primary Examiner—Bernard Ansher
Assistant Examiner—C. Tuttle
Attorney, Agent, or Firm—Darby & Darby

[57] CLAIM

The ornamental design for a comb, as shown and described.

DESCRIPTION

FIG. 1 is a top front perspective view of a comb showing my new design;
 FIG. 2 is a left side elevational view thereof;
 FIG. 3 is a right side elevational view thereof;
 FIG. 4 is a front elevational view thereof;
 FIG. 5 is a rear elevational view thereof;
 FIG. 6 is a top plan view thereof; and,
 FIG. 7 is a bottom plan view.

[56] **References Cited**

U.S. PATENT DOCUMENTS

D. 206,206 11/1966 Battaglia D28/25
 D. 211,224 5/1968 Asner D28/29 X
 D. 211,502 6/1968 Cournoyer D28/25
 D. 269,044 5/1983 Battaglia D28/25
 D. 282,976 3/1986 Kenney D28/30

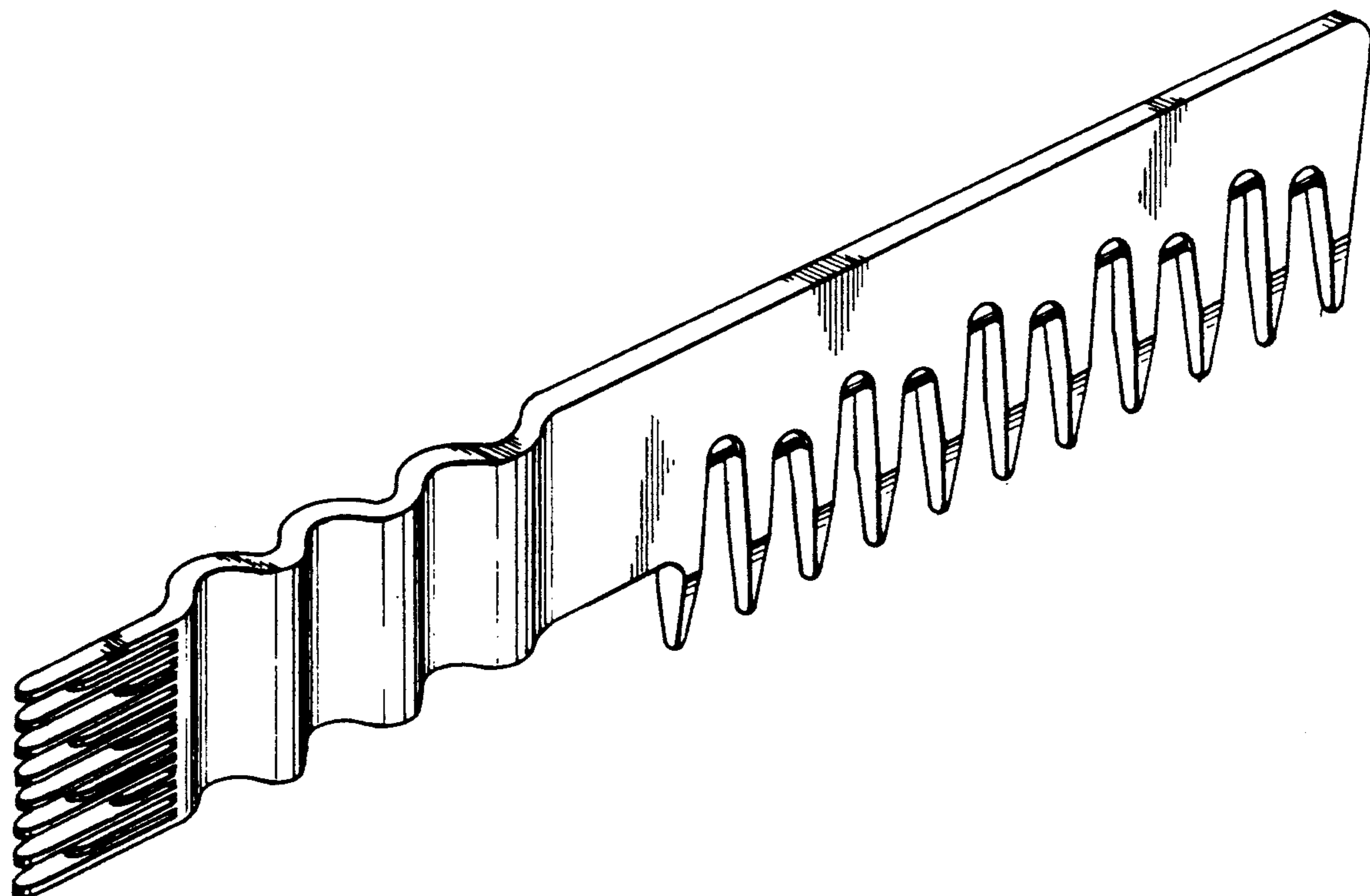


FIG. 2

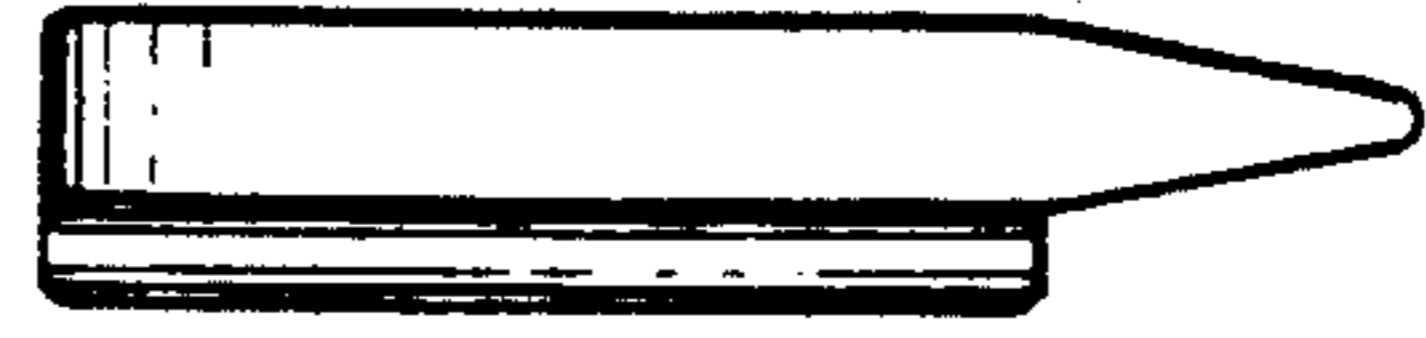


FIG. 3

FIG. 1

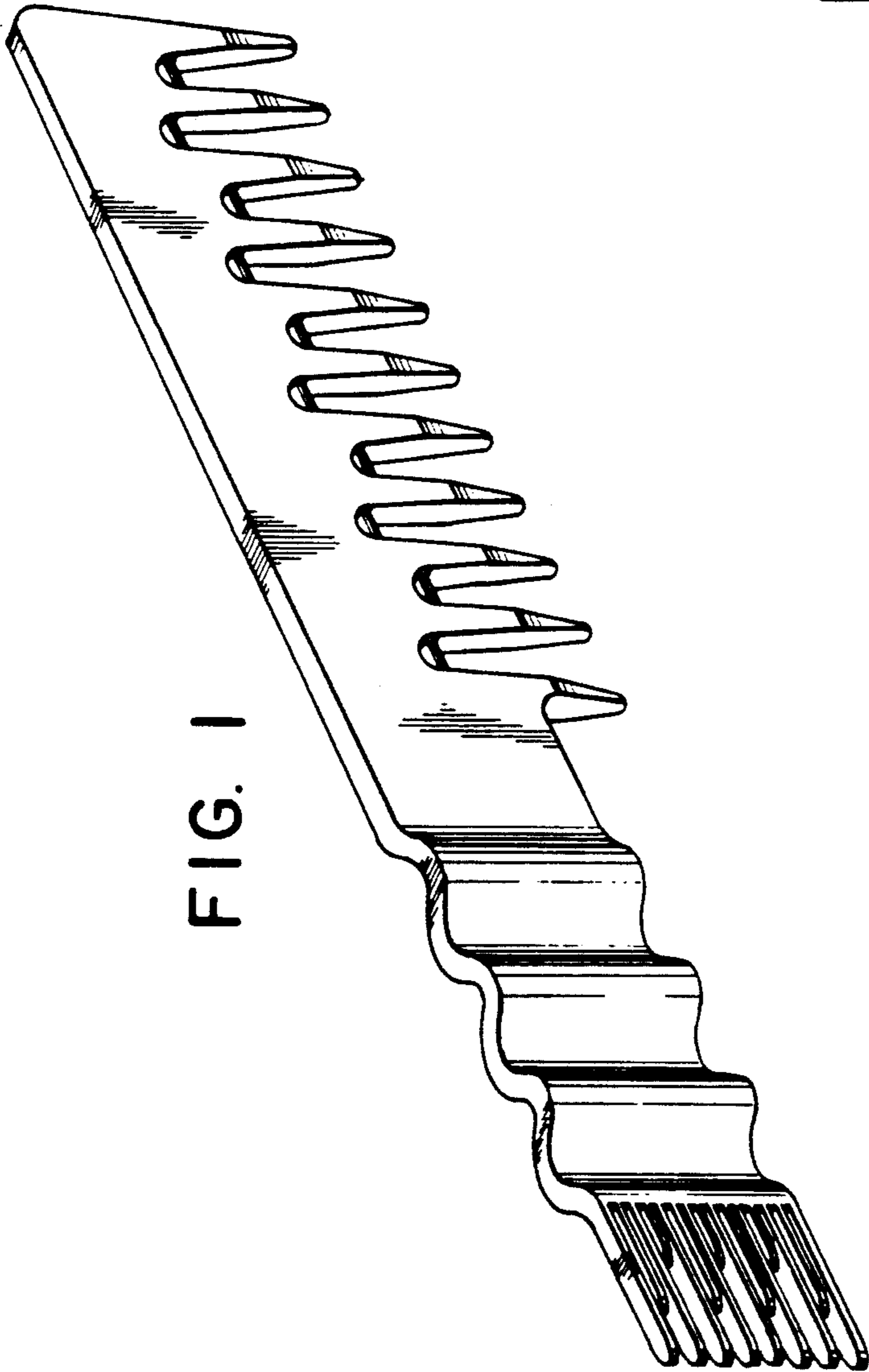


FIG. 6



FIG. 4

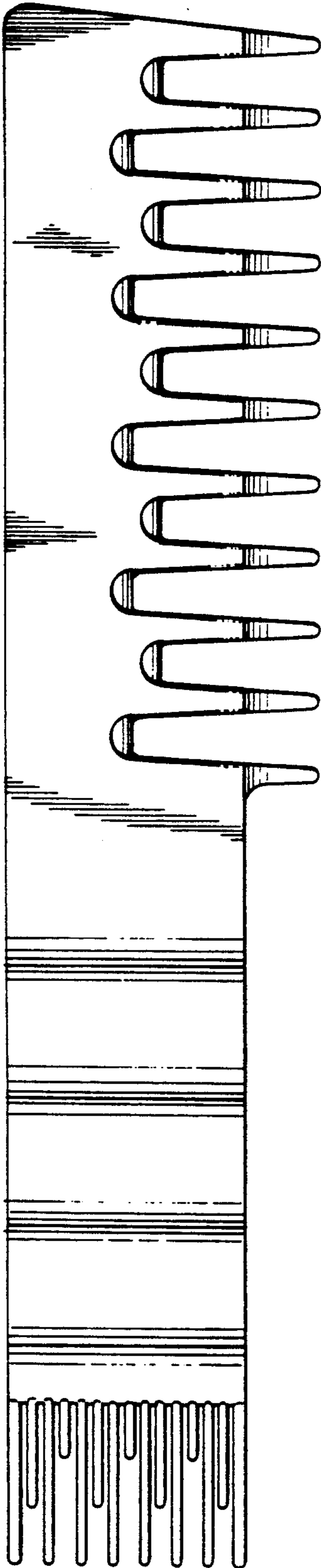


FIG. 5

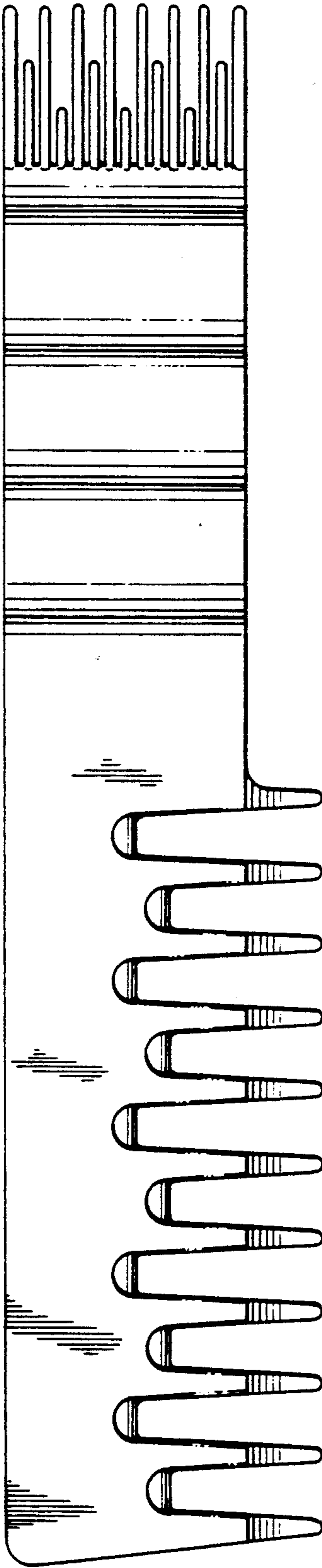


FIG. 7

