



US00D345816S

# United States Patent [19]

[11] Patent Number: **Des. 345,816**

Moore et al.

[45] Date of Patent: **\*\* Apr. 5, 1994**

[54] TANNING WAND

[76] Inventors: **Jerry M. Moore**, 1232 Lookout Dr., Monticello, Ind. 47960; **Daniel Scott**, 1056 N. Main St., Frankfort, Ind. 46041

D. 280,784	10/1985	de Vreeze et al.	.....	D4/122
D. 308,733	6/1990	Damians	.....	D28/7
D. 337,856	7/1993	Butler et al.	.....	D28/7
4,129,391	12/1978	Gamacher	.....	401/208
4,555,196	11/1985	De Garmo	.....	401/220

[\*\*] Term: **14 Years**

*Primary Examiner*—Stella Reid  
*Attorney, Agent, or Firm*—S. Michael Bender

[21] Appl. No.: **756,364**

[57] **CLAIM**

[22] Filed: **Sep. 9, 1991**

The ornamental design for a tanning wand, as shown and described.

[52] U.S. Cl. .... **D28/7; D4/114; D4/122**

**DESCRIPTION**

[58] Field of Search ..... **401/220, 205, 208; D4/122, 114; D24/209, 206; D28/7**

FIG. 1 is a front elevational view of a tanning wand showing my new design;  
FIG. 2 is a rear elevational view thereof;  
FIG. 3 is a left side elevational view thereof;  
FIG. 4 is a right side elevational view thereof;  
FIG. 5 is a top plan view thereof; and,  
FIG. 6 is a bottom plan view thereof.

[56] **References Cited**

**U.S. PATENT DOCUMENTS**

D. 246,804 12/1977 Kesler ..... D28/7

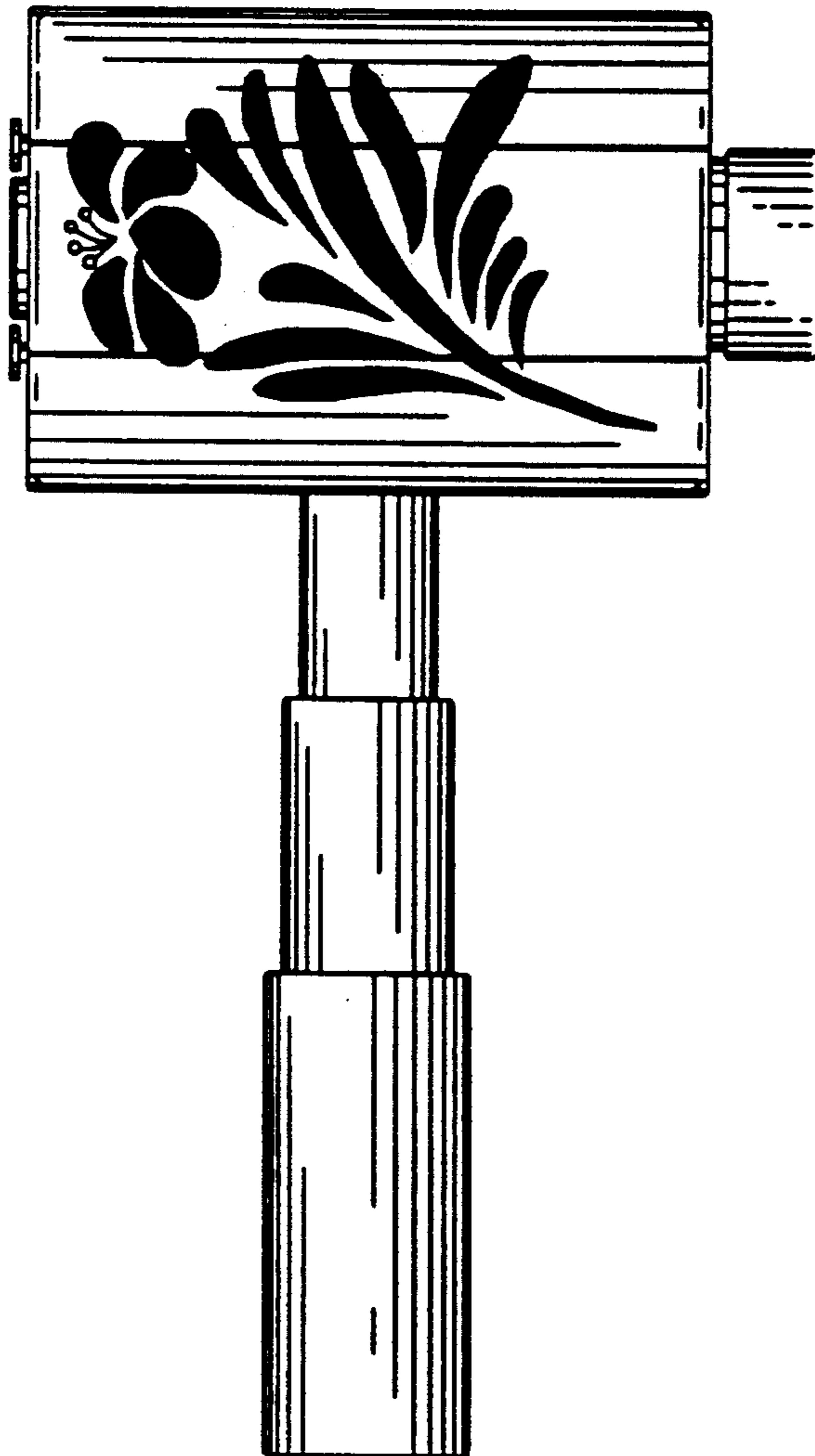


FIG. 1

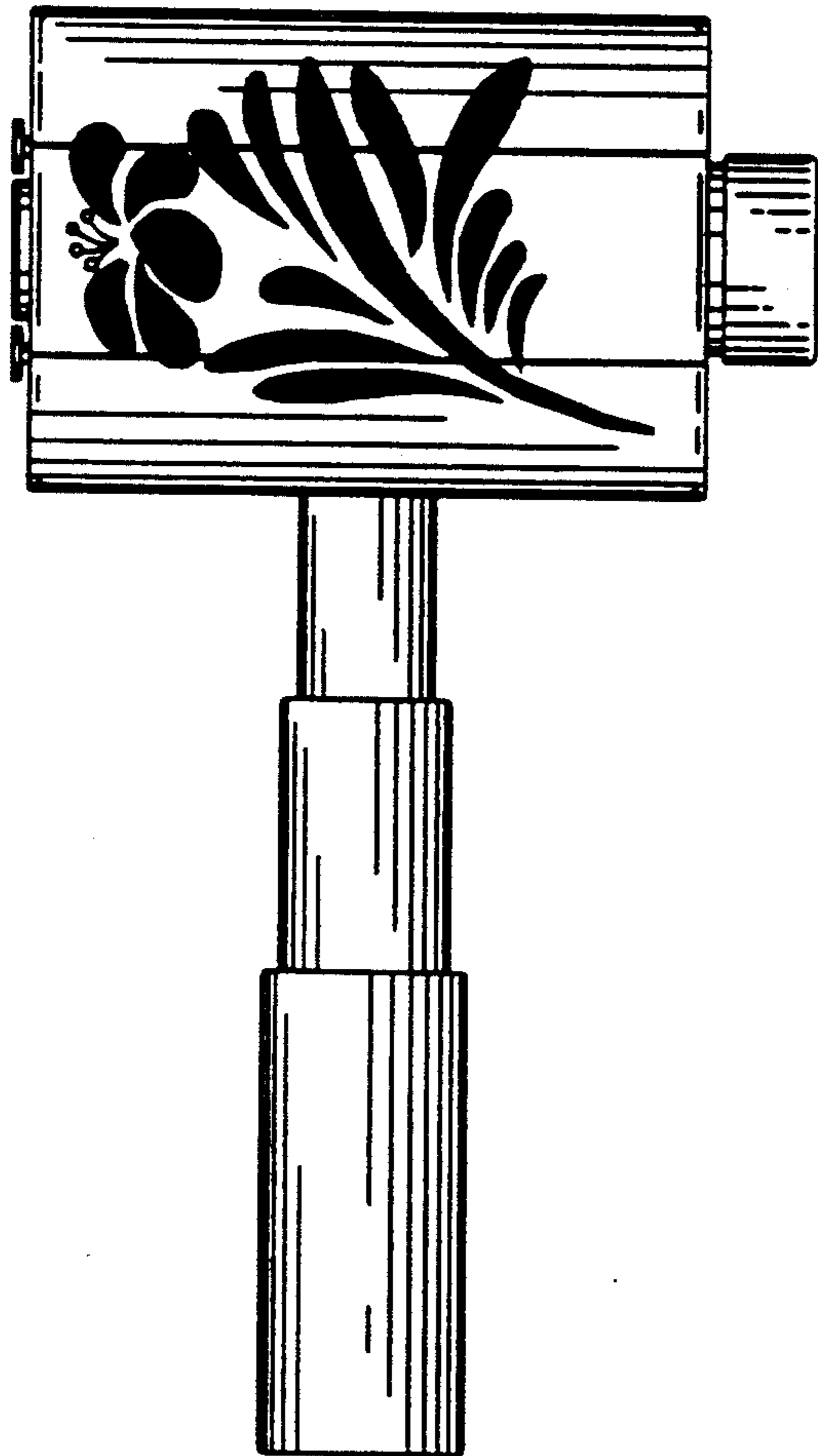
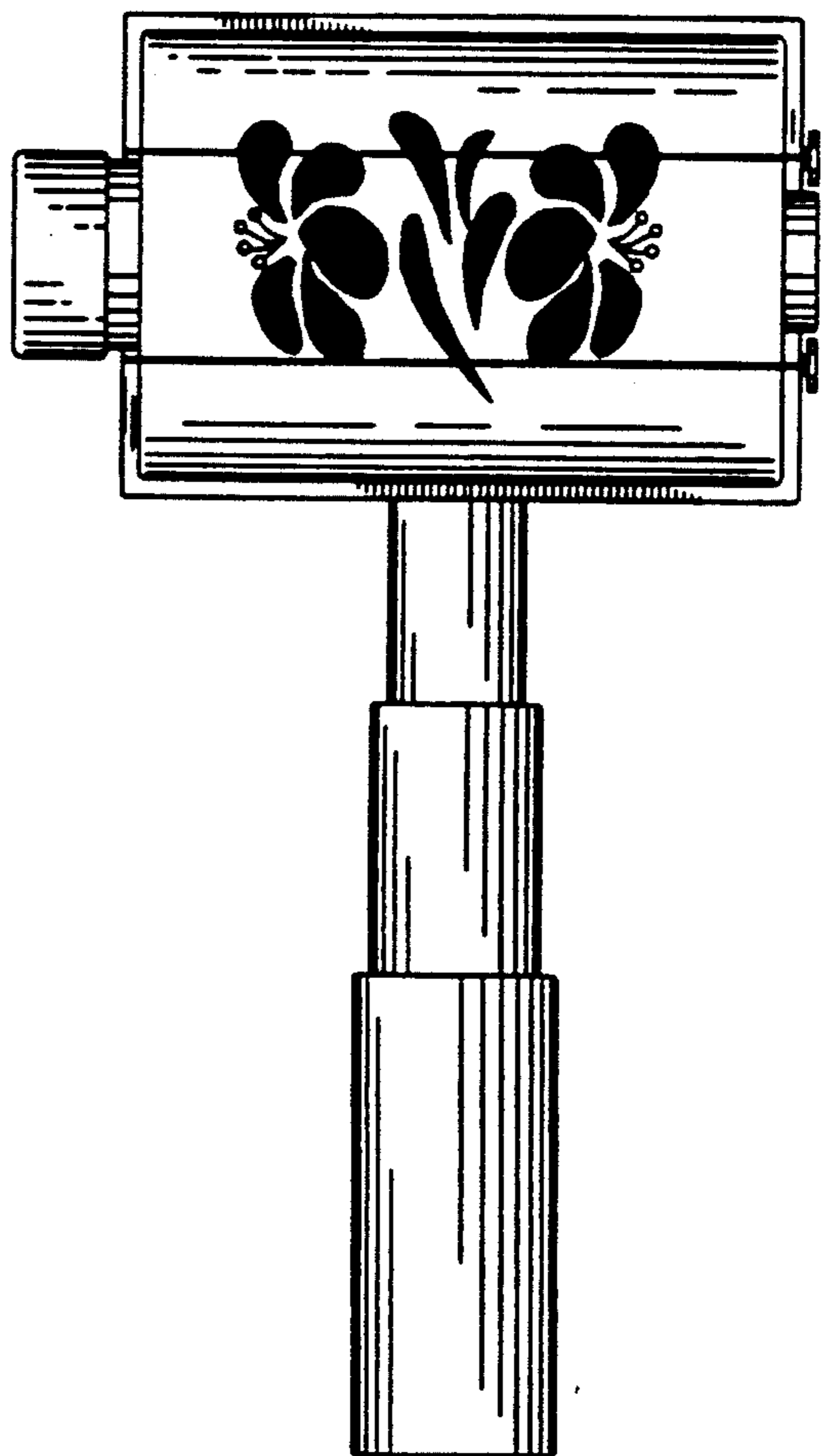
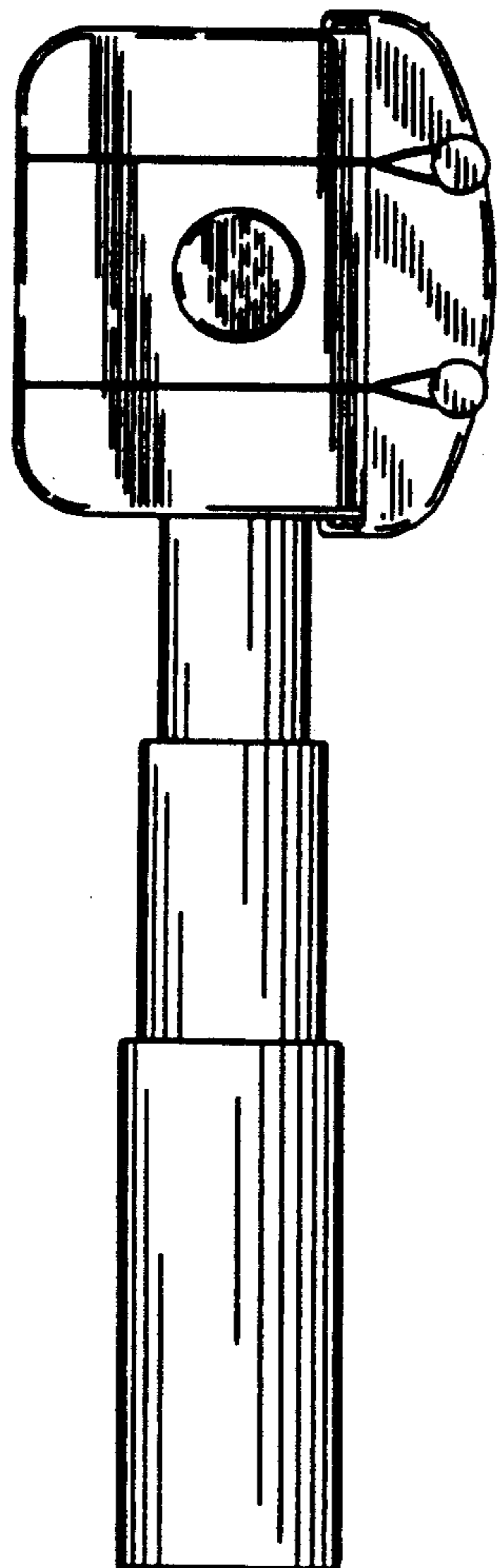


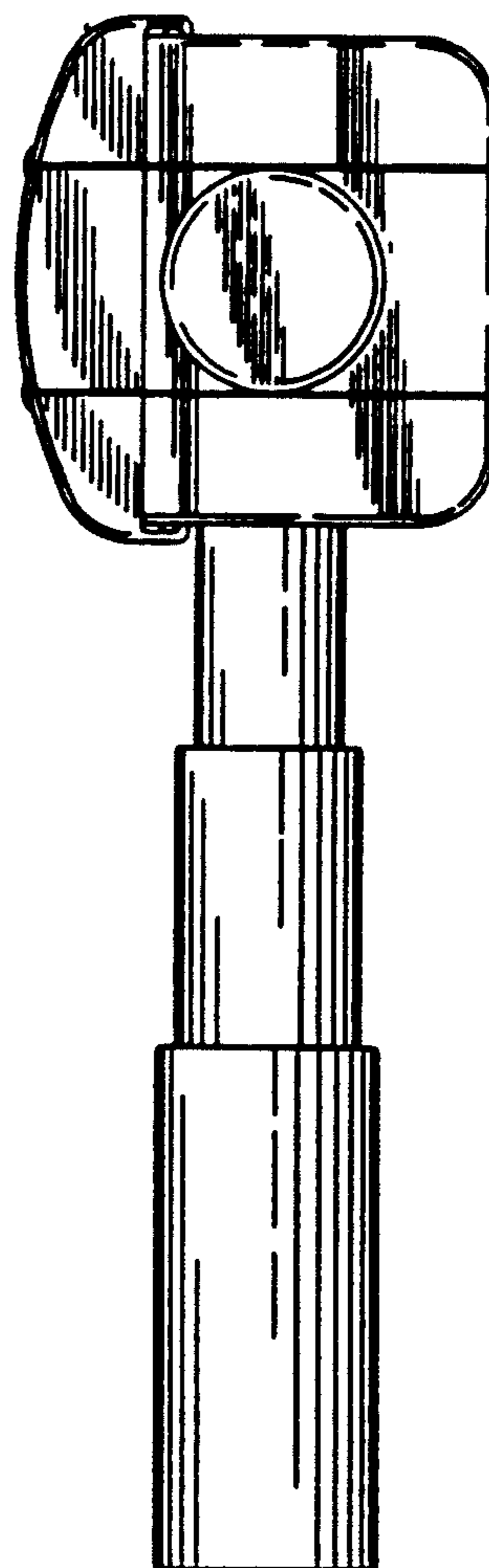
FIG. 2



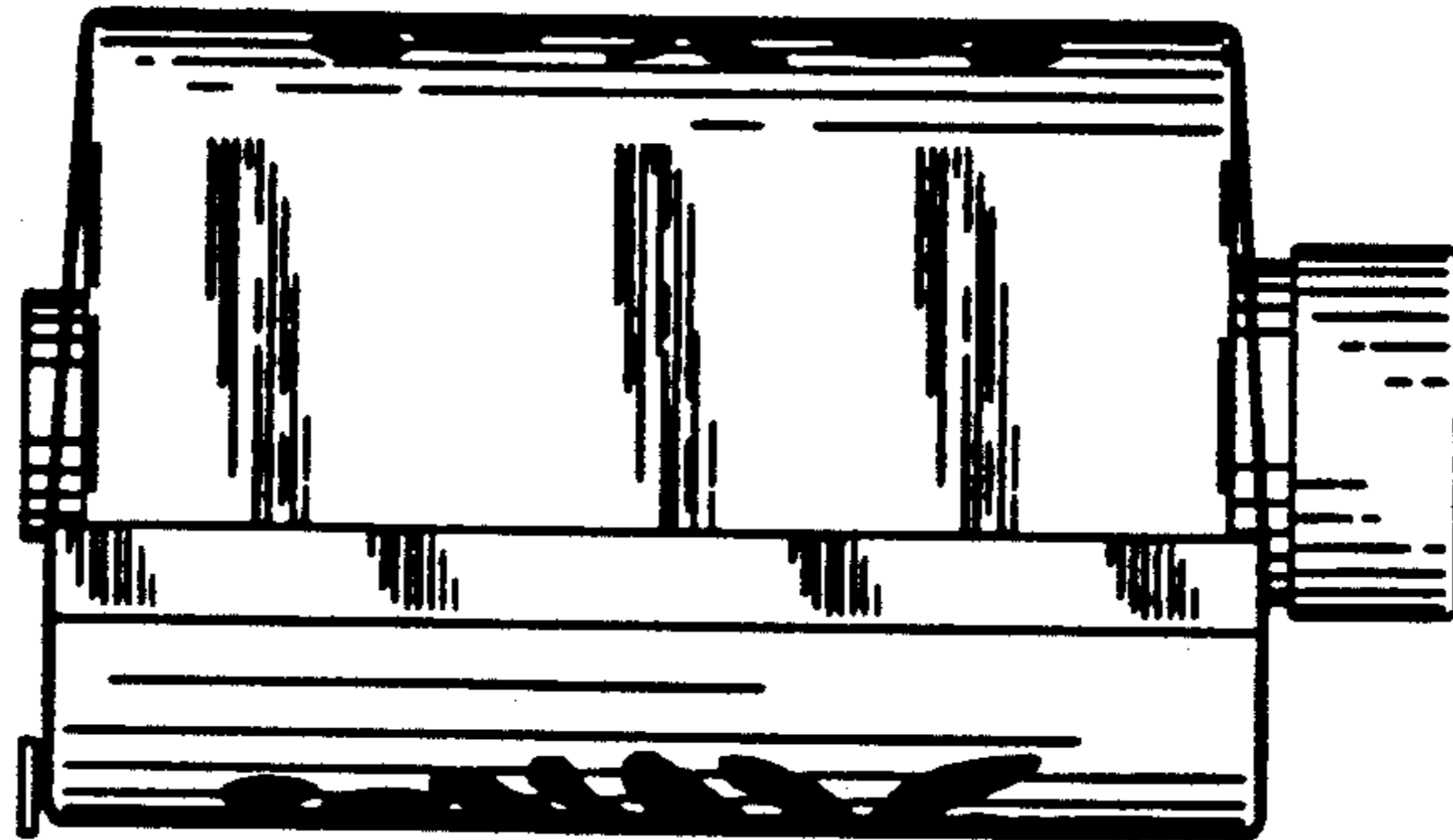
*FIG. 3*



*FIG. 4*



*FIG. 5*



*FIG. 6*

