



US00D345814S

# United States Patent [19]

[11] Patent Number: **Des. 345,814**

Wright, III

[45] Date of Patent: **\*\* Apr. 5, 1994**

[54] **HEADSET MOUNTED FLASHLIGHT HOLDER**

*Primary Examiner*—Susan J. Lucas  
*Attorney, Agent, or Firm*—S. Pal Asija

[76] Inventor: **Charles O. Wright, III**, 6 Shannon Ct., Oxford, Conn. 06478

[57] **CLAIM**

[\*\*] Term: **14 Years**

The ornamental design for a headset mounted flashlight holder, as shown and described.

[21] Appl. No.: **794,159**

**DESCRIPTION**

[22] Filed: **Nov. 18, 1991**

[52] U.S. Cl. .... **D26/138; D8/396; D26/39**

[58] Field of Search ..... 362/290, 291, 208, 105, 362/396, 398; D8/356, 373, 380, 394, 395, 396; D26/37-50

FIG. 1 is a top, front perspective view of a headset mounted flashlight holder showing my new design, the flashlight being shown in broken lines for illustrative purposes only and forming no part of the claimed design;

FIG. 2 is a top plan view of the headset mounted flashlight holder as shown in FIG. 1;

FIG. 3 is a side elevational view thereof, the opposite side being a mirror image;

FIG. 4 is a bottom plan view thereof;

FIG. 5 is a rear elevational view thereof; and,

FIG. 6 is a front elevational view thereof.

[56] **References Cited**

**U.S. PATENT DOCUMENTS**

D. 295,324	4/1988	Drane .....	D26/28 X
3,463,430	8/1969	Rubin et al. ....	248/229 X
4,220,304	9/1980	Wong et al. ....	362/398 X

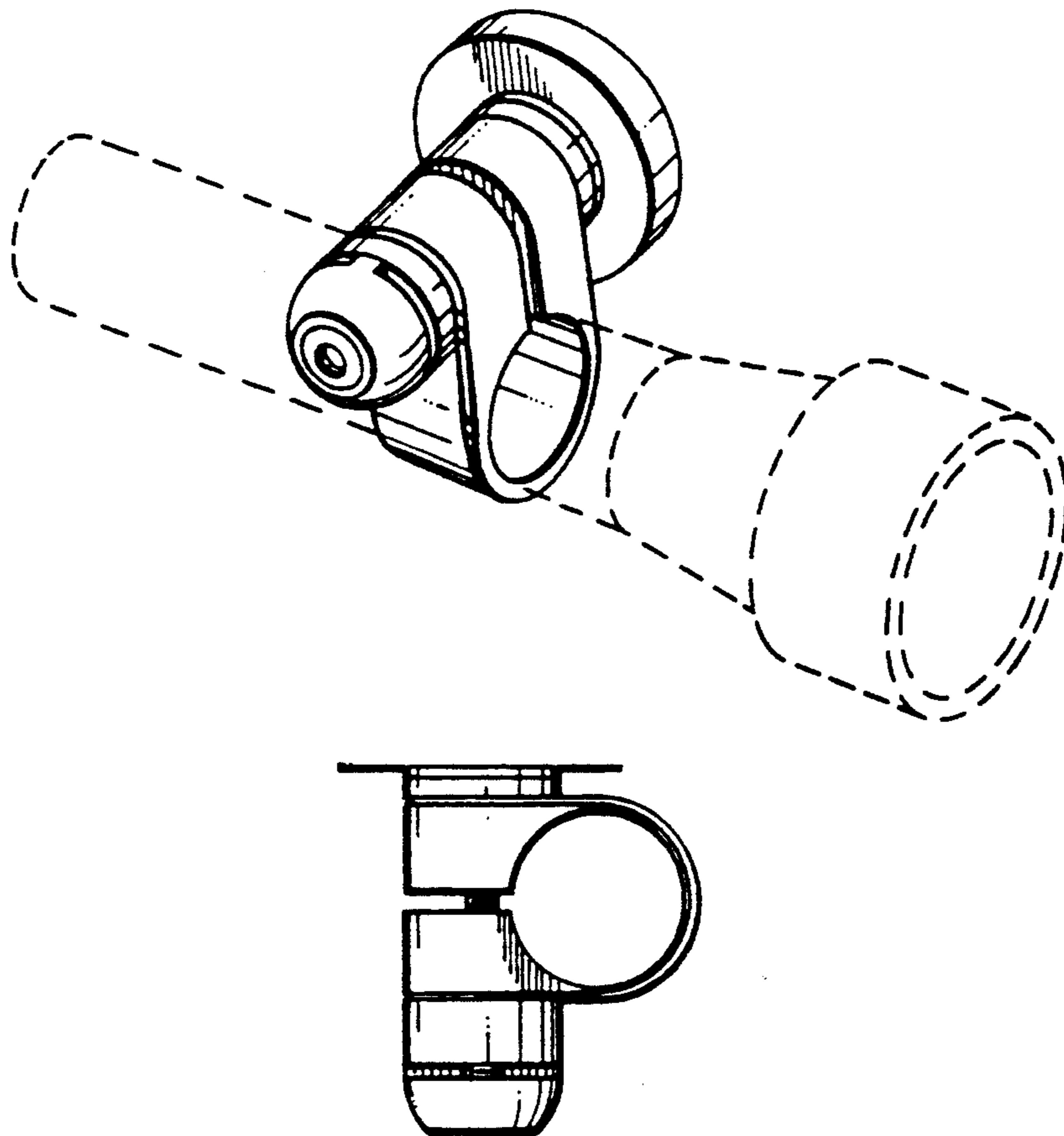


FIG. 1.

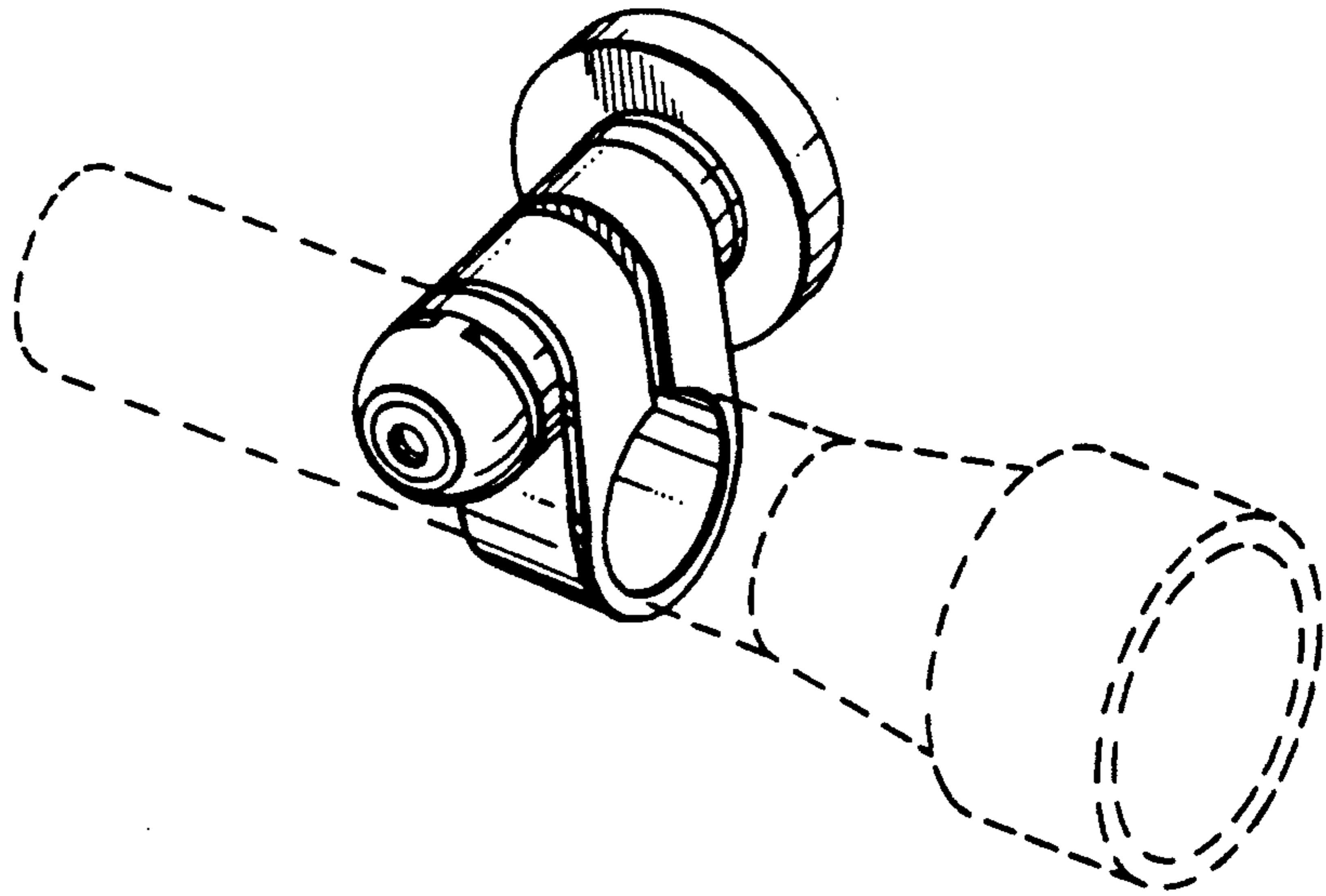


FIG. 2.

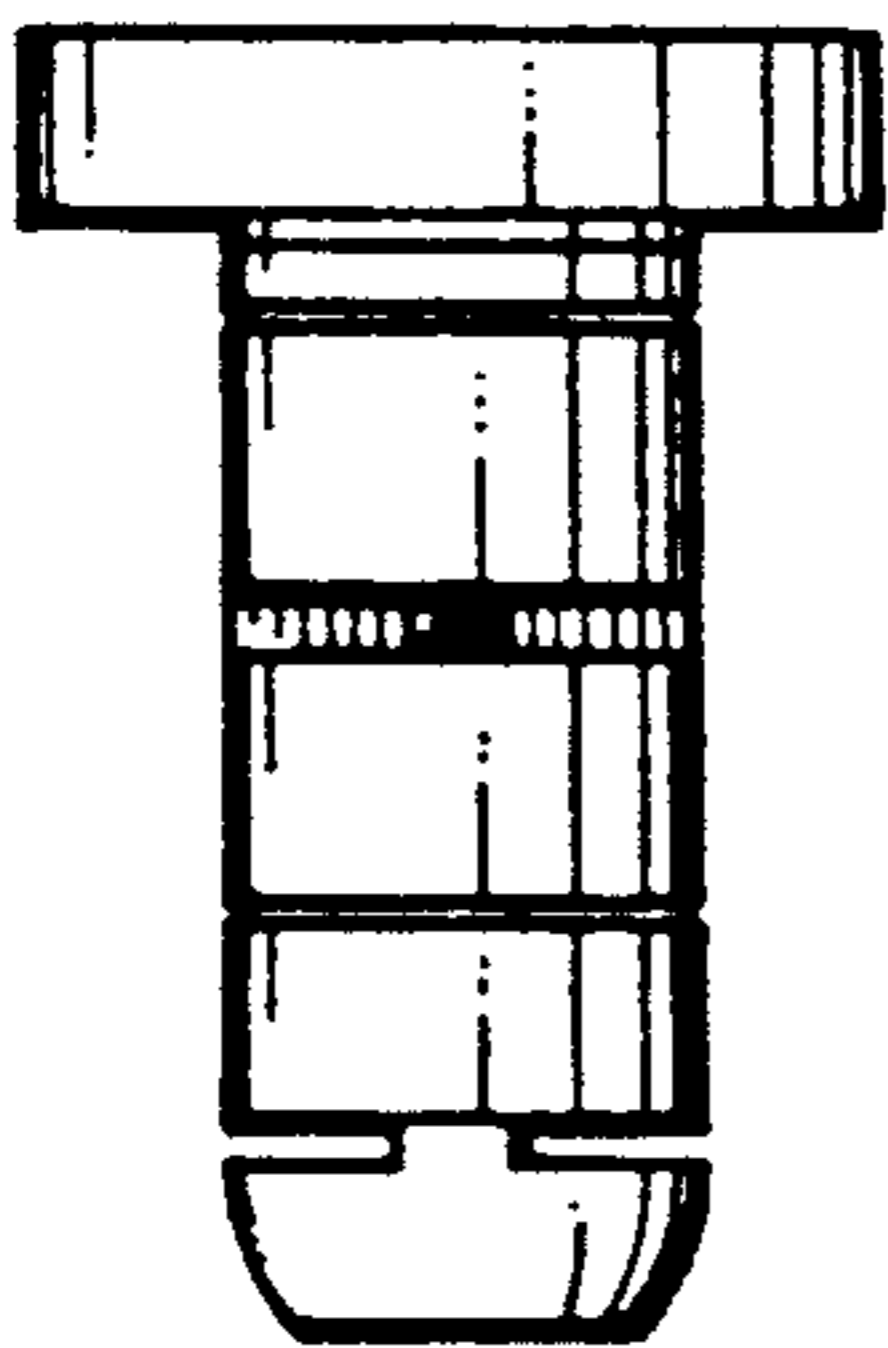


FIG. 3.

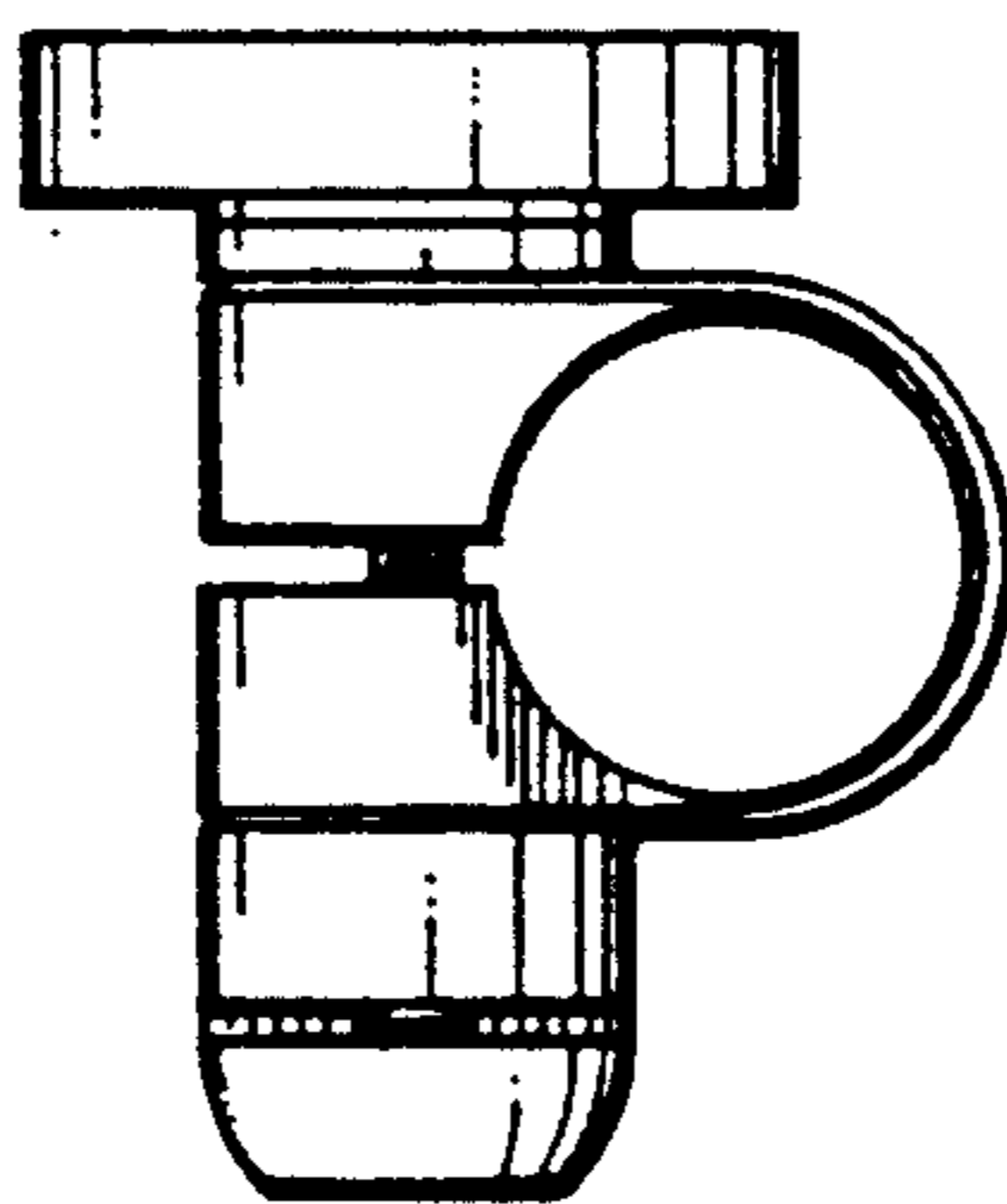


FIG. 4.

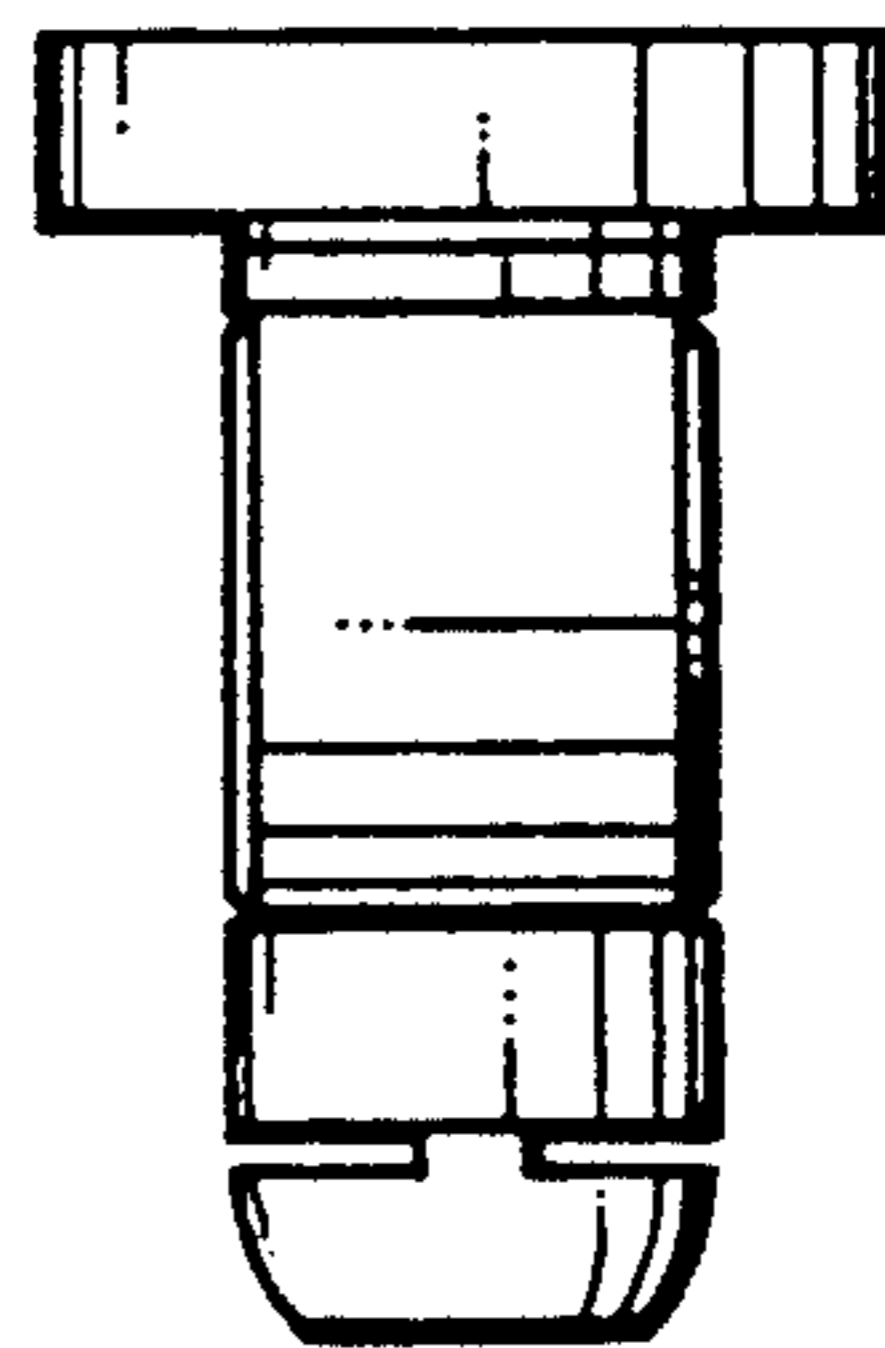


FIG. 5.

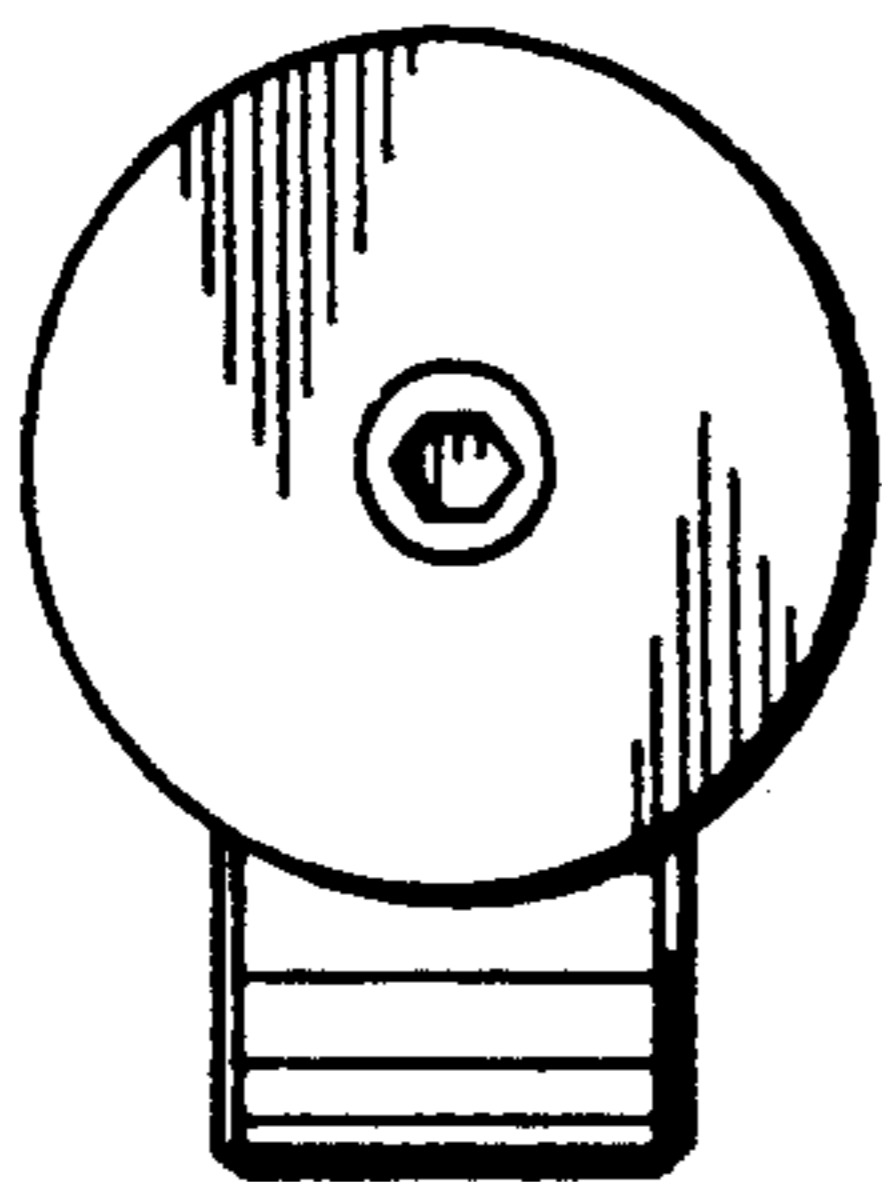


FIG. 6.

