



US00D345811S

United States Patent [19]

[11] Patent Number: **Des. 345,811**

Van Deursen et al.

[45] Date of Patent: **** Apr. 5, 1994**

[54] **RECHARGEABLE FLASHLIGHT**

[75] Inventors: **Gary Van Deursen**, Upper Saddle River, N.J.; **Gregory K. Hoffman**, Hamden, Conn.

[73] Assignee: **Black & Decker Inc.**, Newark, Del.

[**] Term: **14 Years**

[21] Appl. No.: **819,530**

[22] Filed: **Jan. 10, 1992**

[52] U.S. Cl. **D26/46**

[58] Field of Search 362/157, 158, 183, 184, 362/189, 190, 191, 196, 197, 198, 199, 200, 201, 202; D26/37-50

[56] **References Cited**

U.S. PATENT DOCUMENTS

D. 282,289	1/1986	Verdier	D26/46
D. 282,586	2/1986	Lee	D26/46
D. 297,266	8/1988	Ingram, II	D26/46
D. 307,058	4/1990	Yuen	D26/38

OTHER PUBLICATIONS

Black & Decker Household Products catalog, 1991-92, Rechargeable Light.

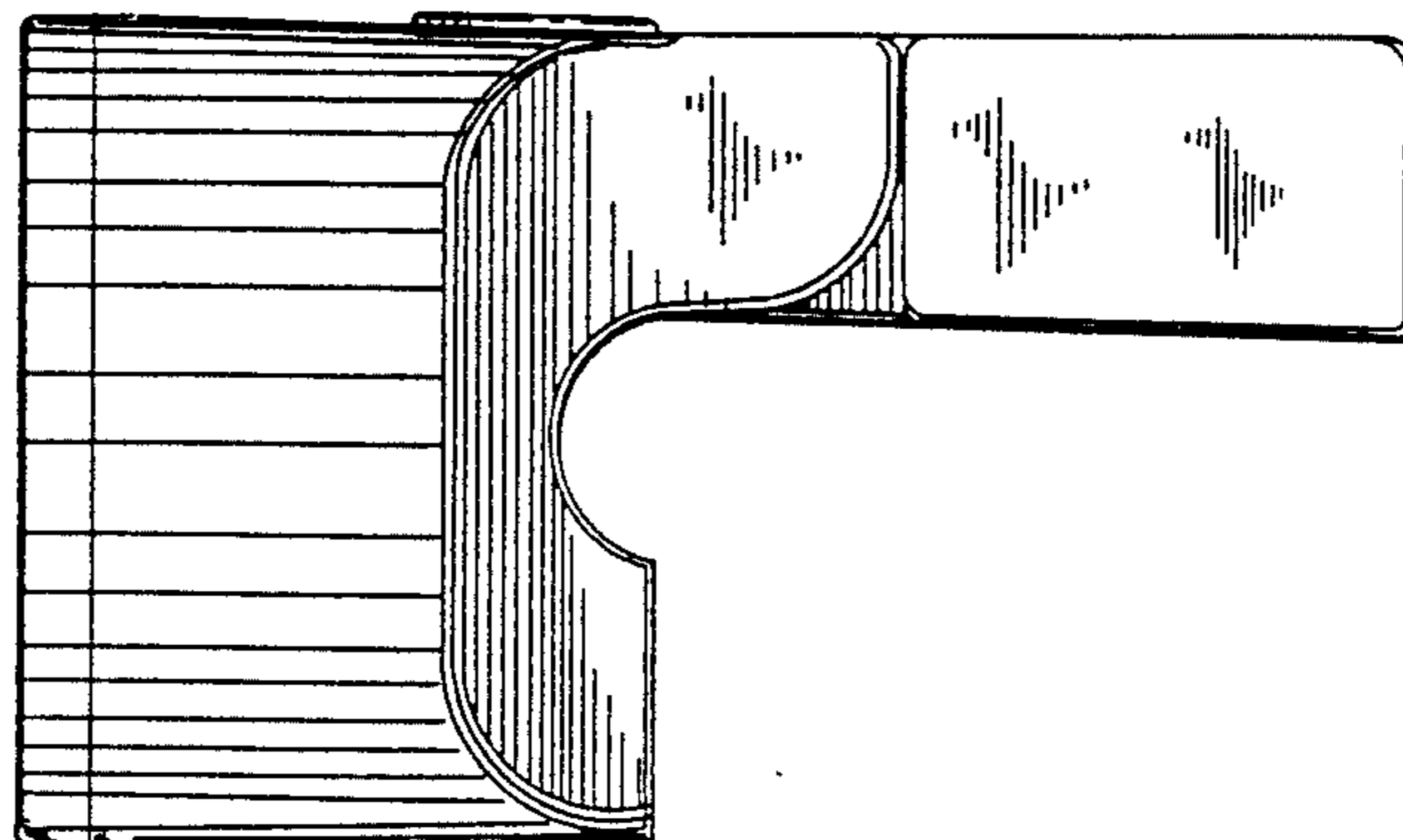
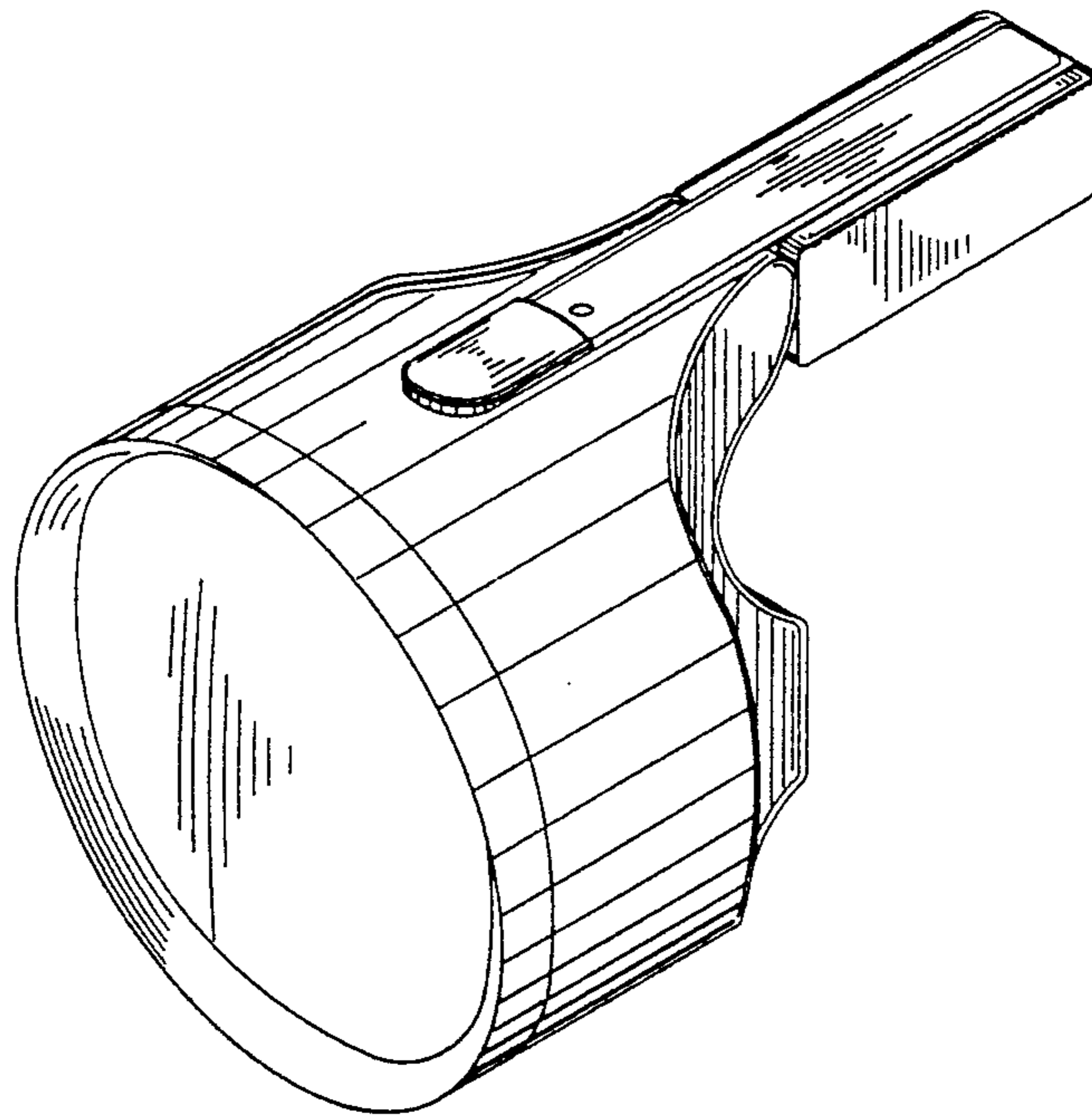
Primary Examiner—Susan J. Lucas
Attorney, Agent, or Firm—Barry E. Deutsch

[57] **CLAIM**

The ornamental design for a rechargeable flashlight, as shown and described.

DESCRIPTION

FIG. 1 is a perspective view of a rechargeable flashlight showing our new design, with the perspective view illustrating the front, top and right side of our design; FIG. 2 is a right side elevational view of our design, with the left side being a mirror image to the illustrated right side; FIG. 3 illustrates a top plan view of our design; FIG. 4 illustrates a bottom plan view of our design; FIG. 5 illustrates a front elevational; and, FIG. 6 illustrates a rear elevational view of our design.



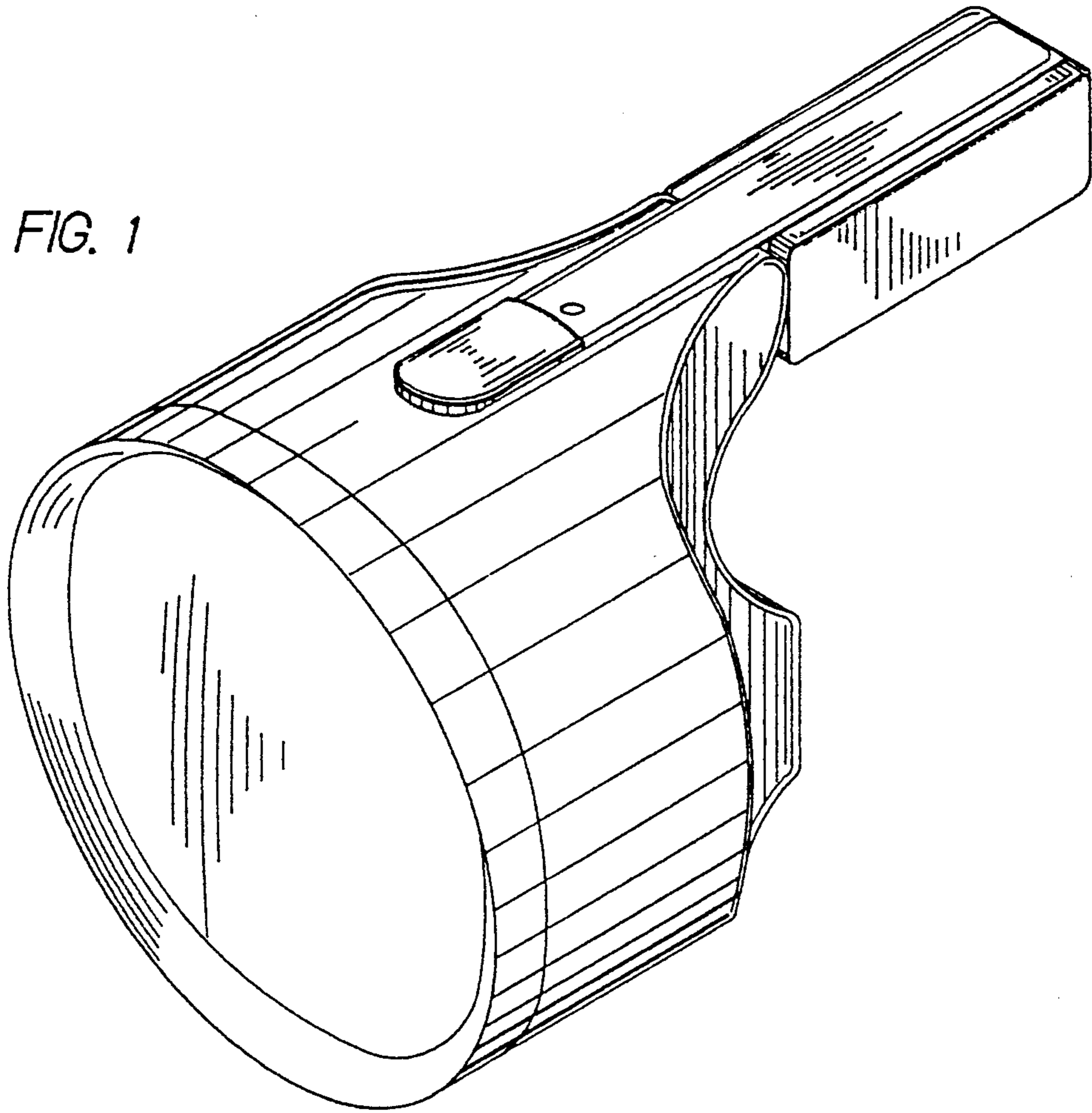


FIG. 2

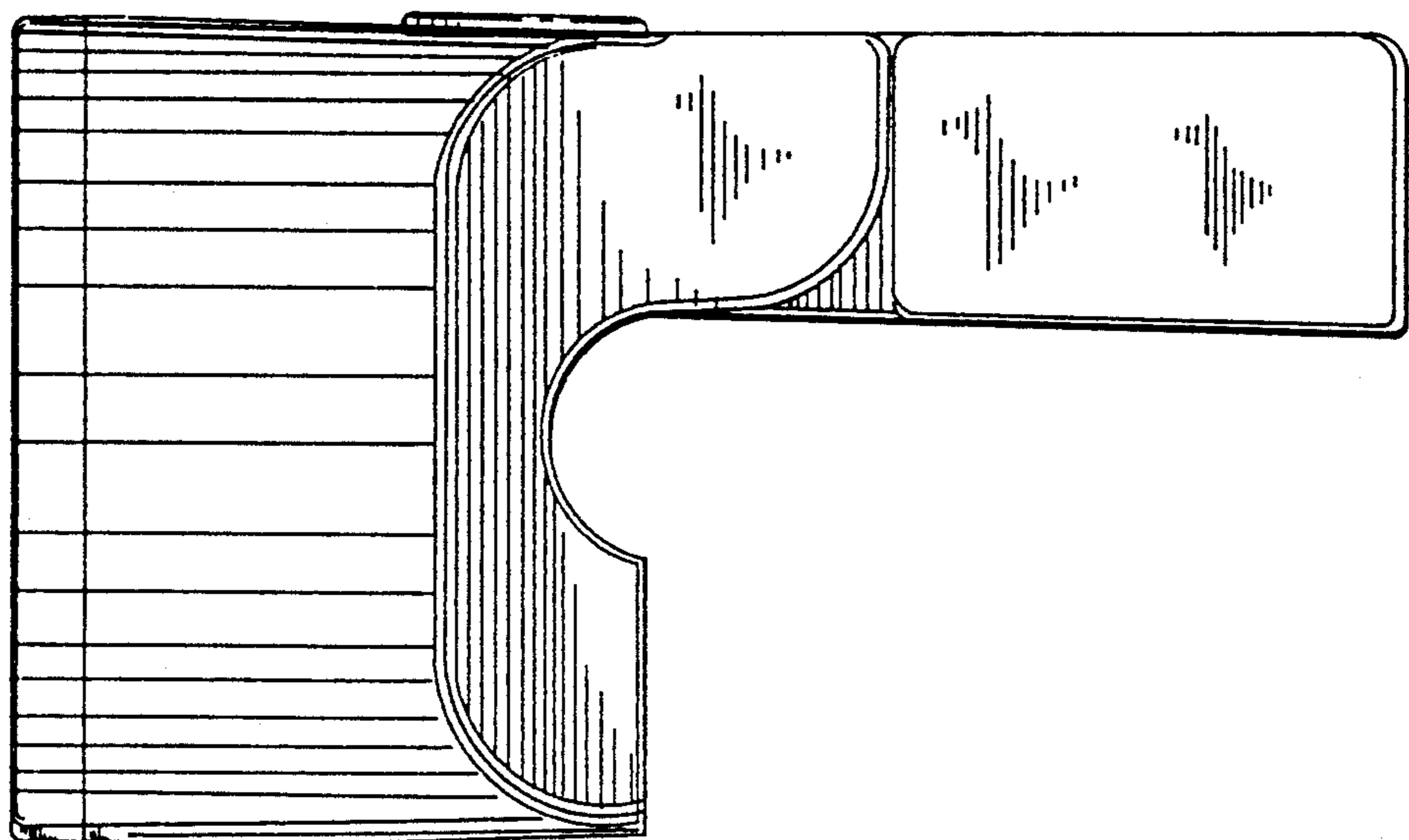


FIG. 3

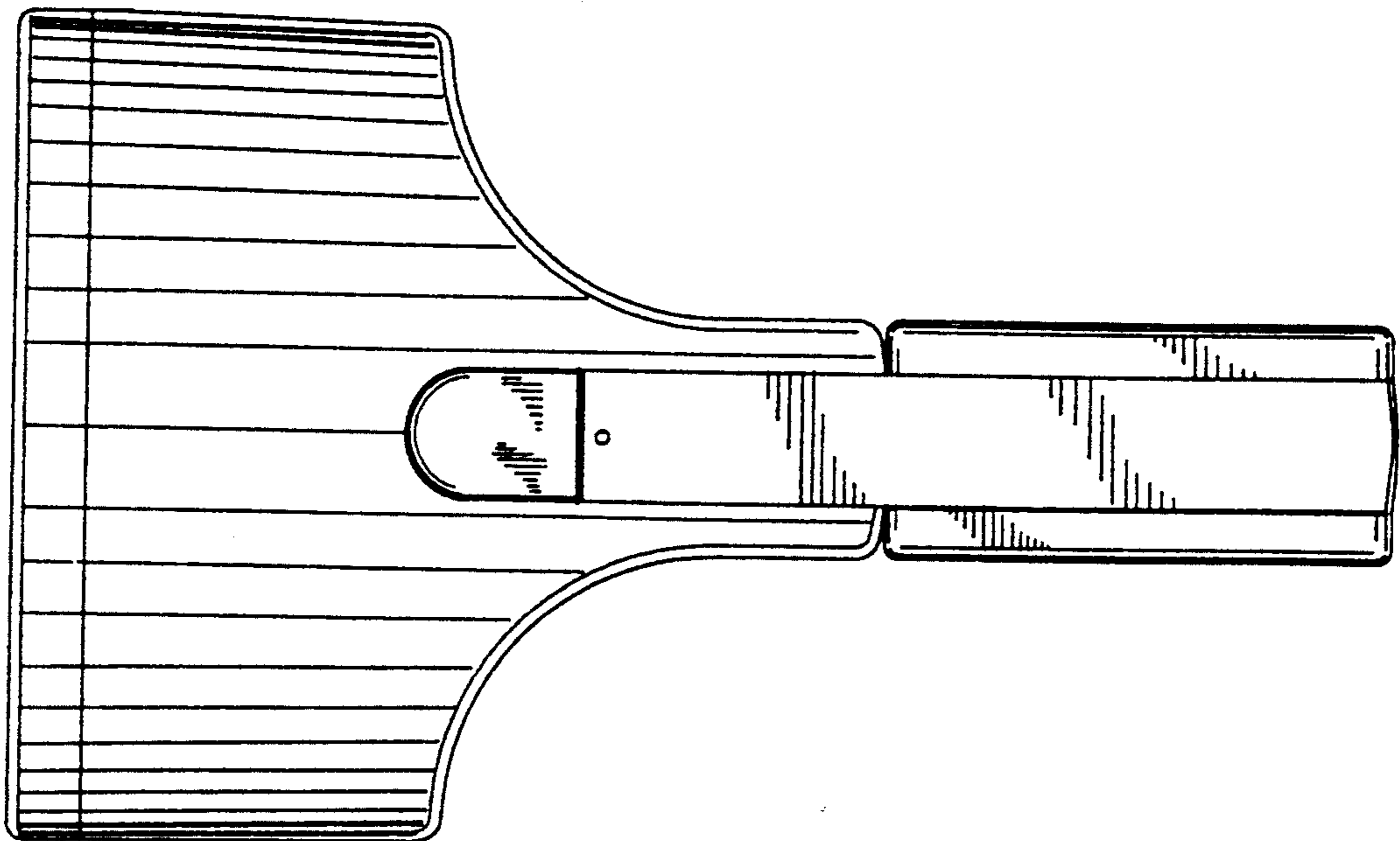


FIG. 4

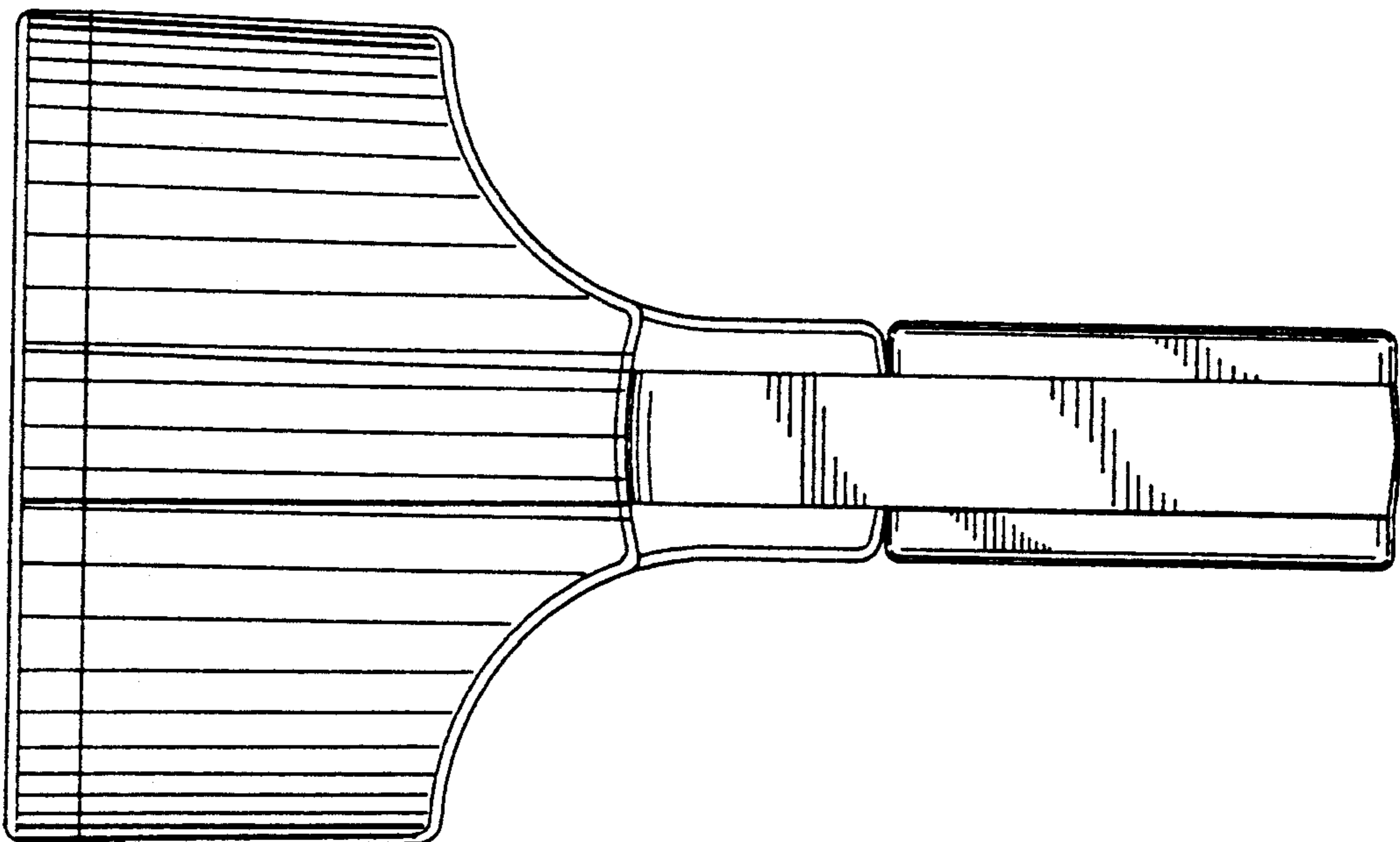


FIG. 5

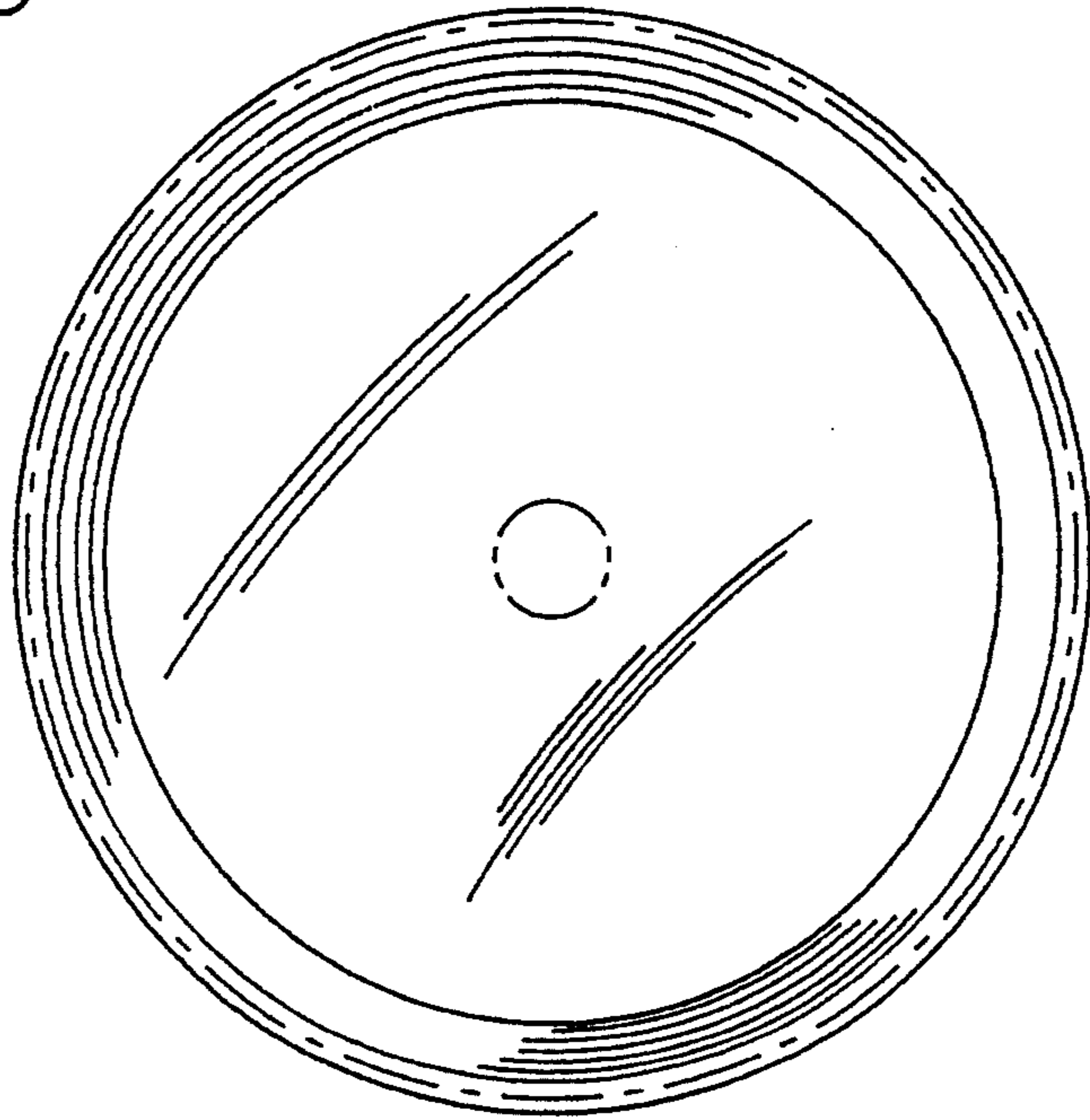


FIG. 6

