



US00D345810S

# United States Patent [19] Yuen

[11] Patent Number: **Des. 345,810**  
[45] Date of Patent: **\*\* Apr. 5, 1994**

## [54] ADJUSTABLE FLUORESCENT LANTERN

[75] Inventor: **John S. Yuen, Kowloon, Hong Kong**

[73] Assignee: **John Manufacturing Limited, Kowloon, Hong Kong**

[\*\*] Term: **14 Years**

[21] Appl. No.: **849,698**

[22] Filed: **Mar. 10, 1992**

### [30] Foreign Application Priority Data

Sep. 11, 1991 [GB] United Kingdom ..... 2-017 379  
[52] U.S. Cl. .... **D26/44; D26/65**  
[58] Field of Search ..... 362/157, 158, 183, 190, 362/191, 184, 199; D26/37-50, 60-66

### [56] References Cited

#### U.S. PATENT DOCUMENTS

D. 290,884 7/1987 Sano et al. .... D26/65  
D. 329,504 9/1992 Yuen ..... D26/44 X  
4,575,784 3/1986 Diao ..... 362/183  
4,977,489 12/1990 Fung ..... 362/199 X

## OTHER PUBLICATIONS

Hong Kong Enterprise, Nov. 1986, p. 257, Fluorescent Desk Light.

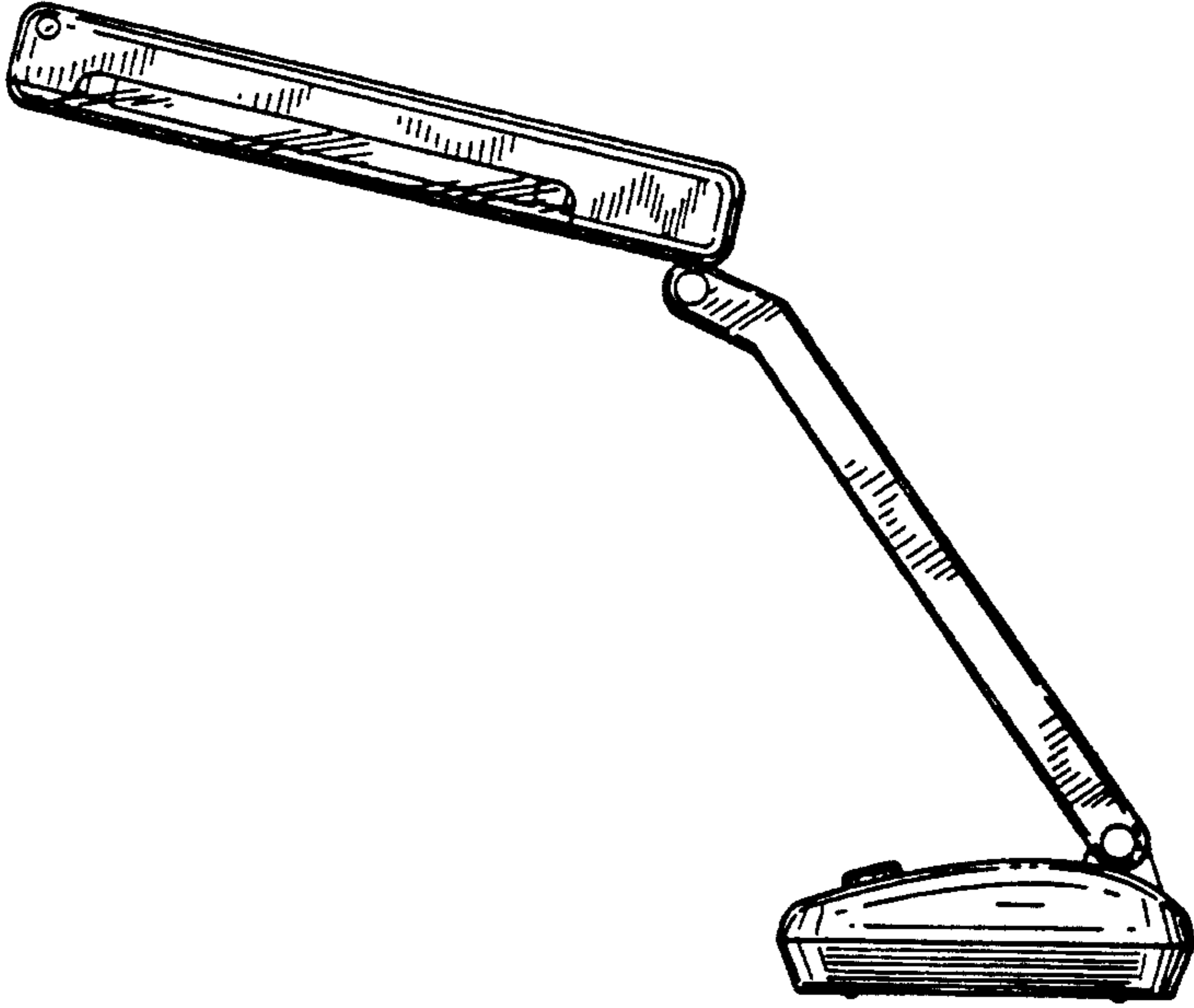
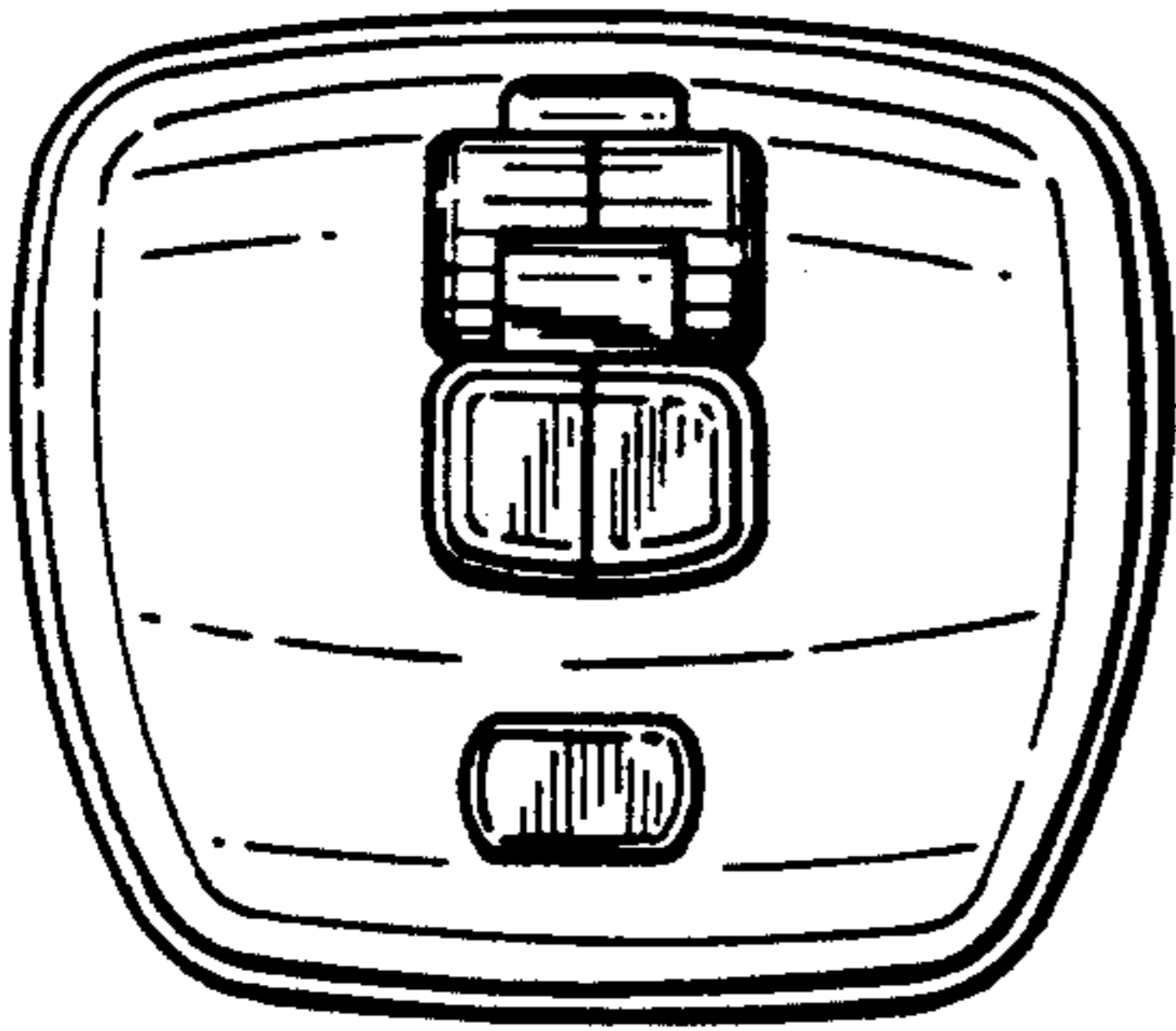
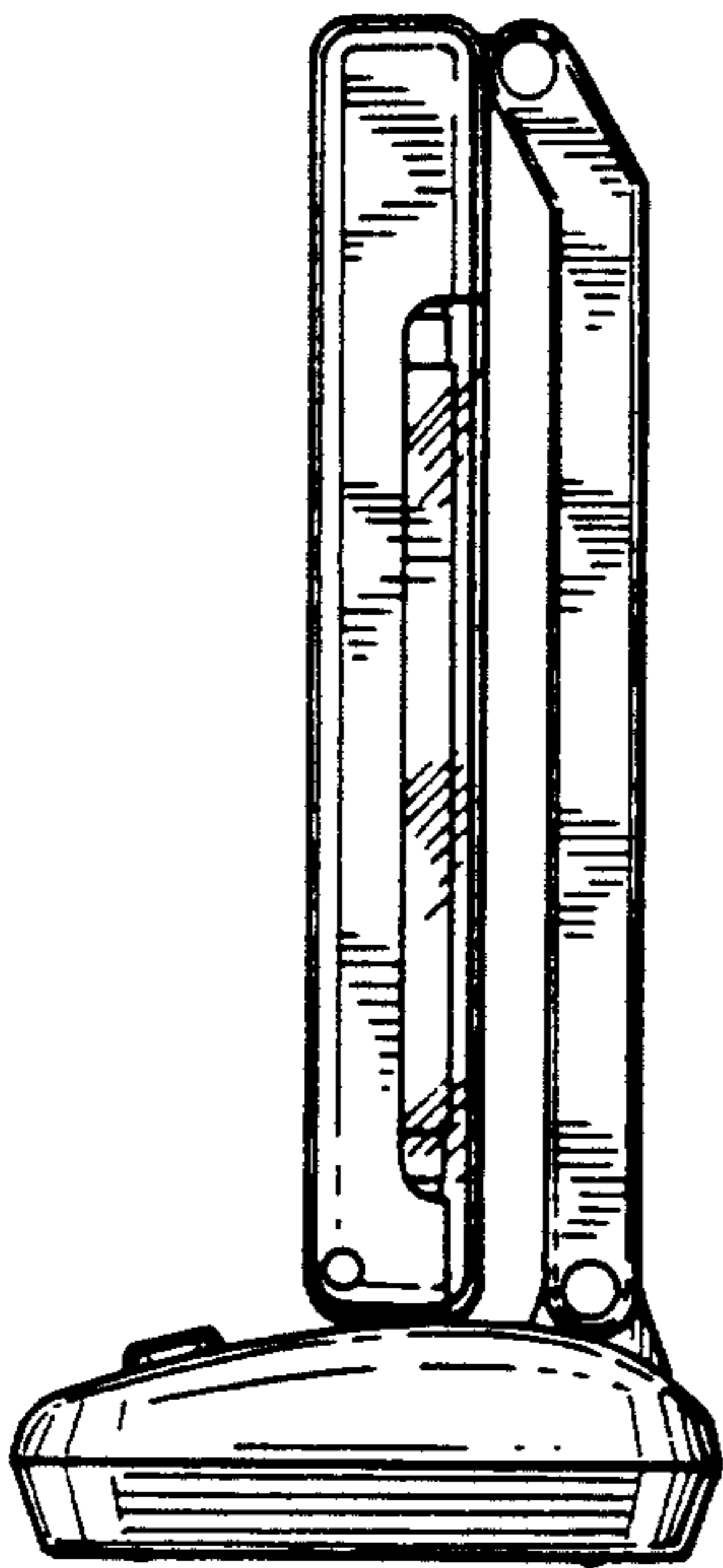
*Primary Examiner*—Susan J. Lucas  
*Attorney, Agent, or Firm*—Fay, Sharpe, Beall, Fagan, Minnich & McKee

## [57] CLAIM

The ornamental design for an adjustable fluorescent lantern, as shown and described.

## DESCRIPTION

FIG. 1 is a front elevational view of an adjustable fluorescent lantern showing my new design; FIG. 2 is a rear elevational view thereof; FIG. 3 is a bottom plan view thereof; FIG. 4 is a right side elevational view, the left side being a mirror image thereof; FIG. 5 is a top plan view thereof; FIG. 6 is a right side elevational view of the design in an alternate position; and, FIG. 7 is a bottom plan view of the design in the alternate position.



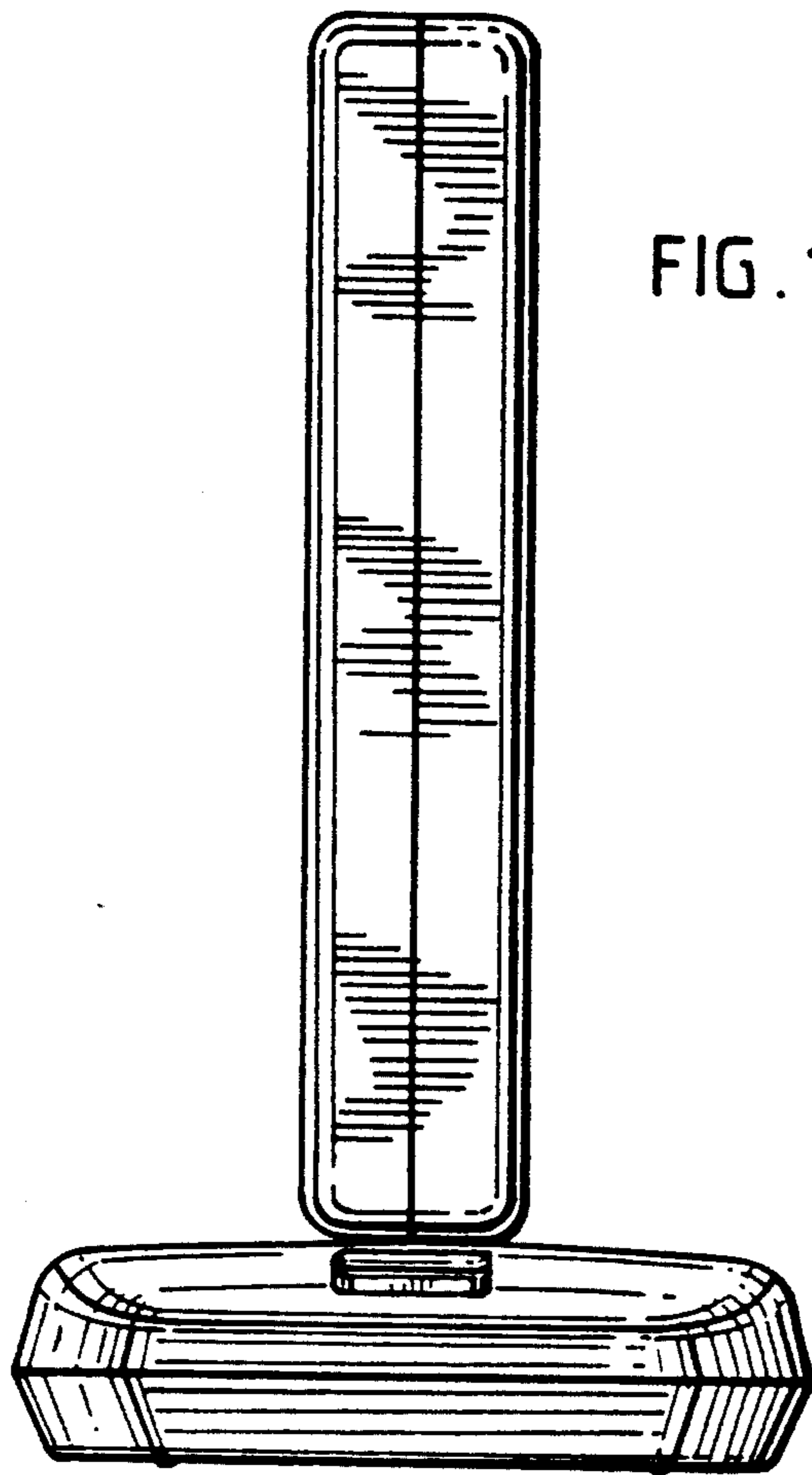


FIG. 1

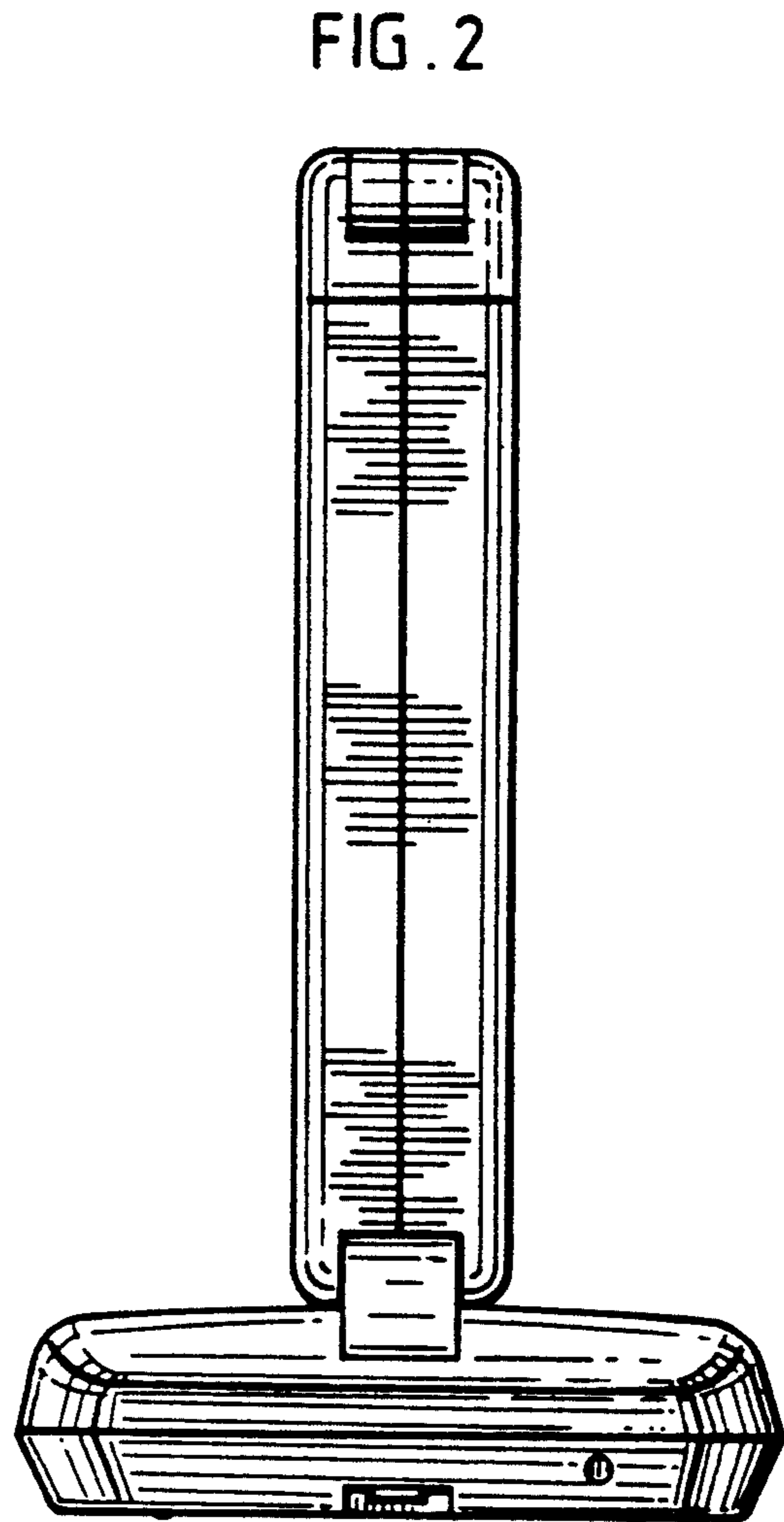


FIG. 2

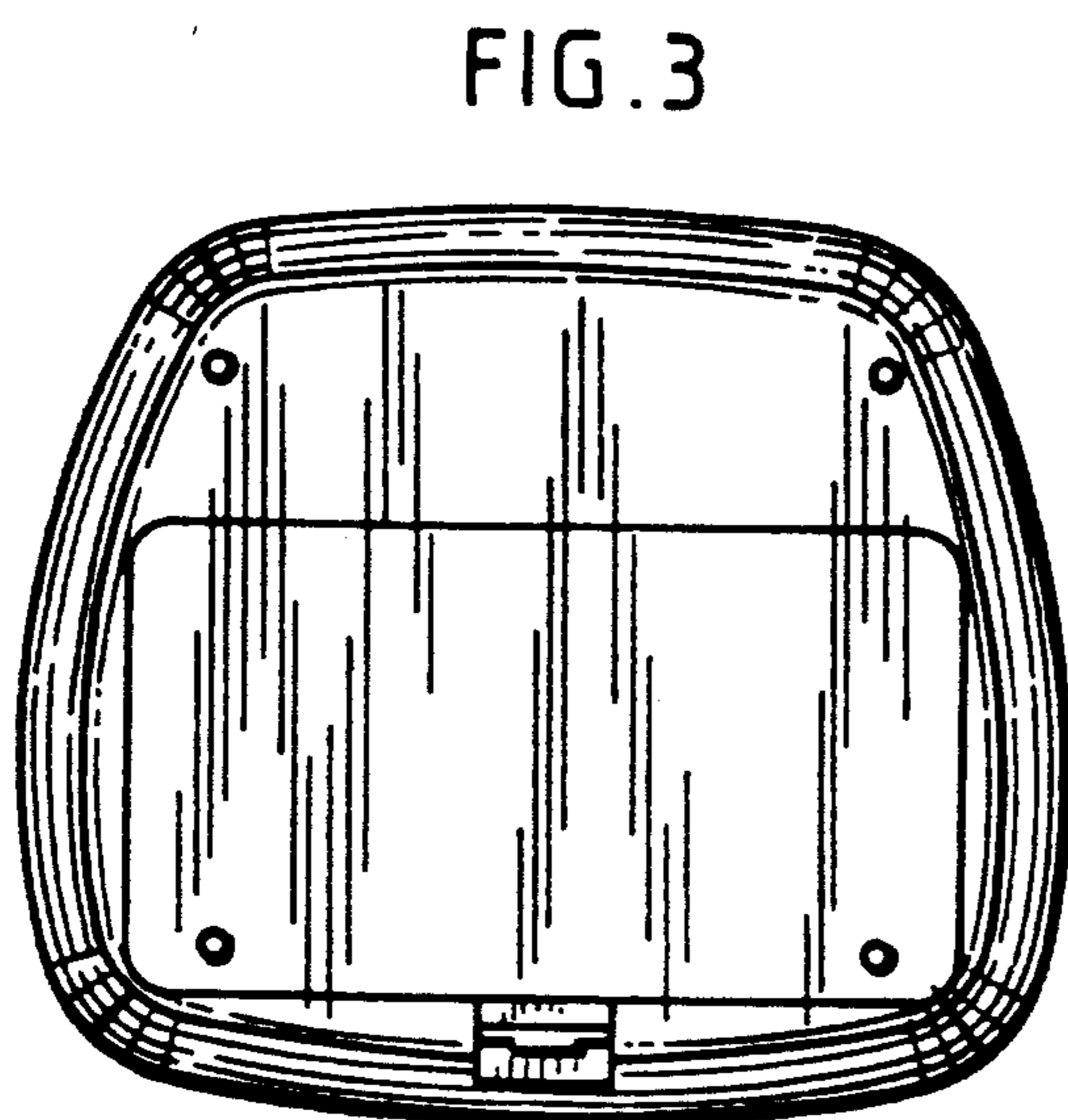


FIG. 3

FIG. 4

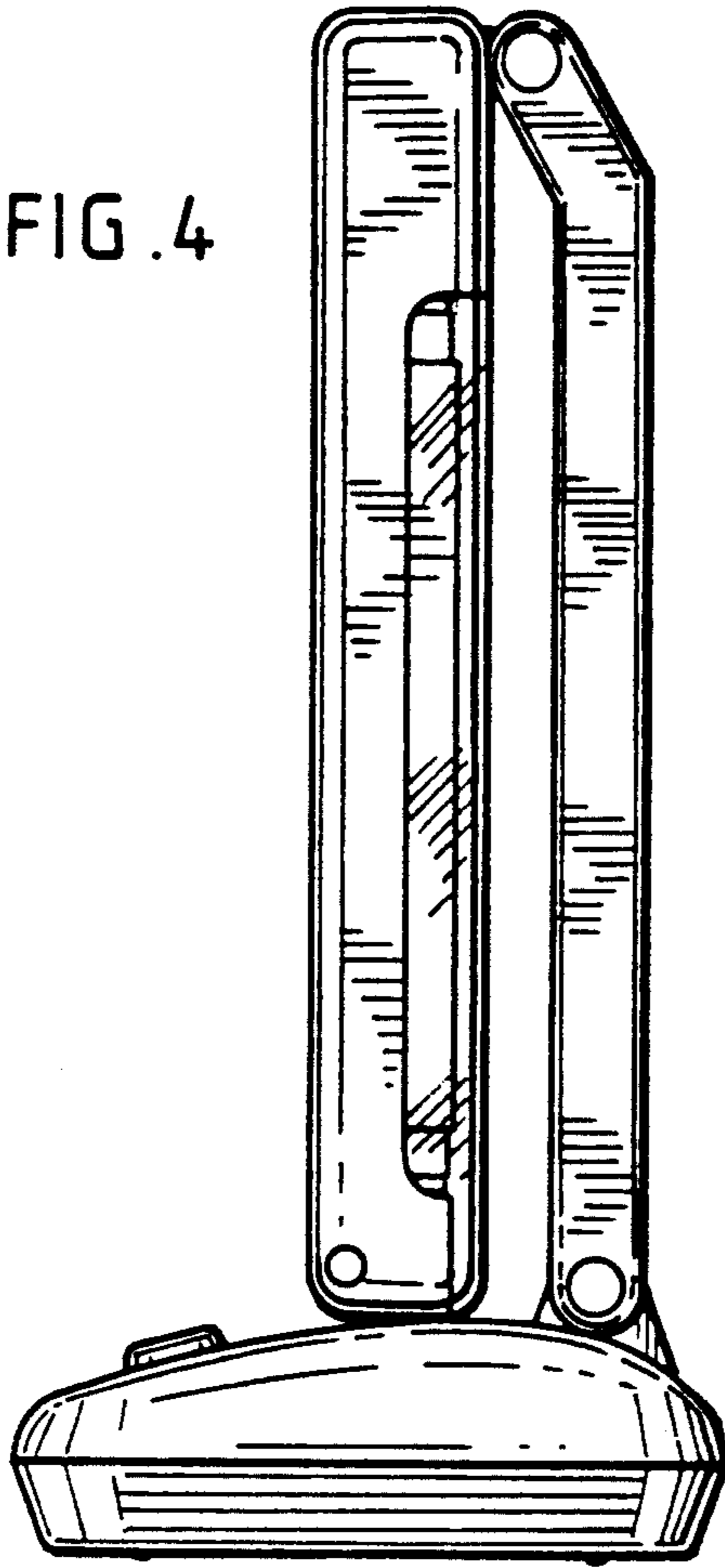


FIG. 5

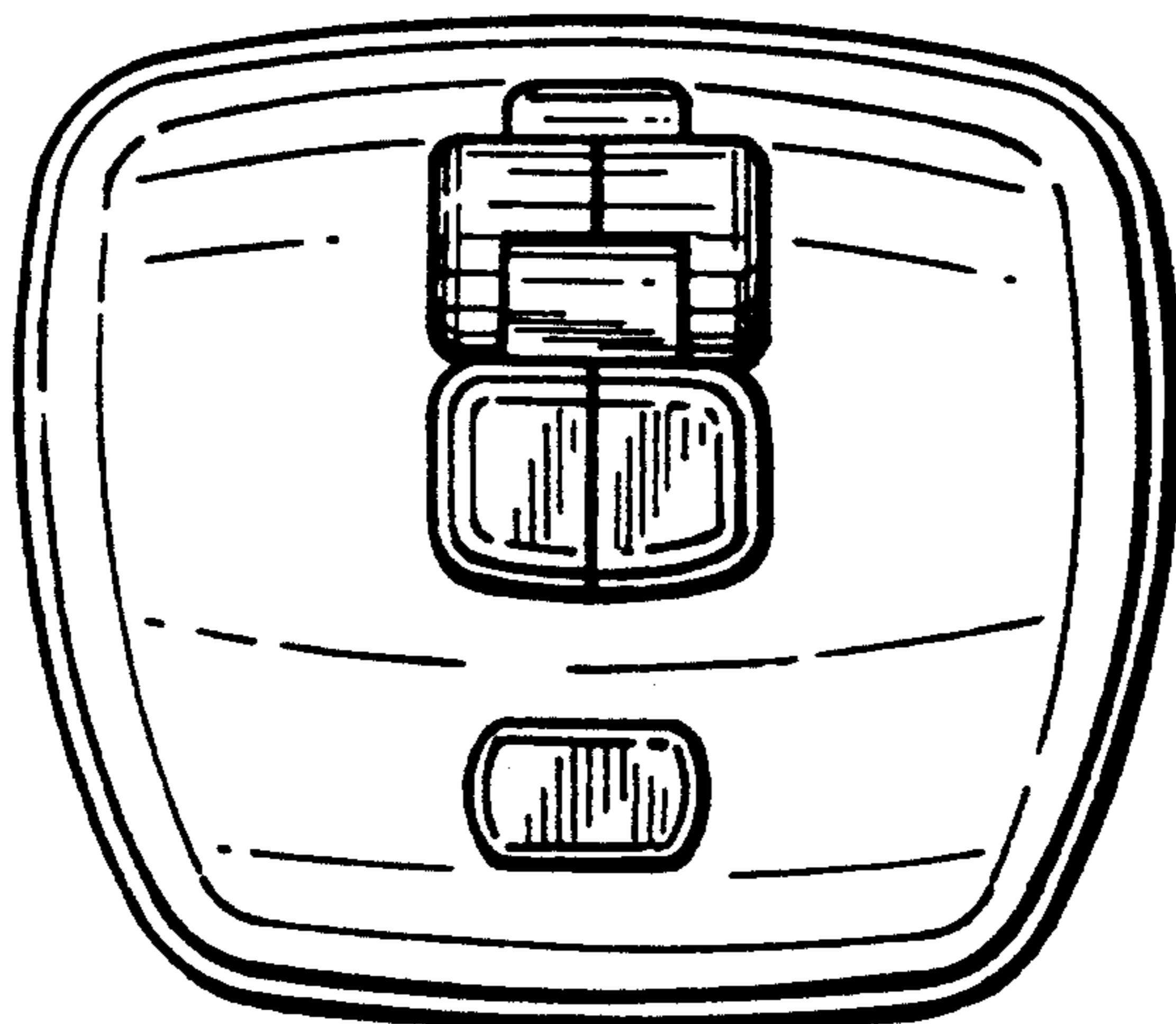


FIG. 6

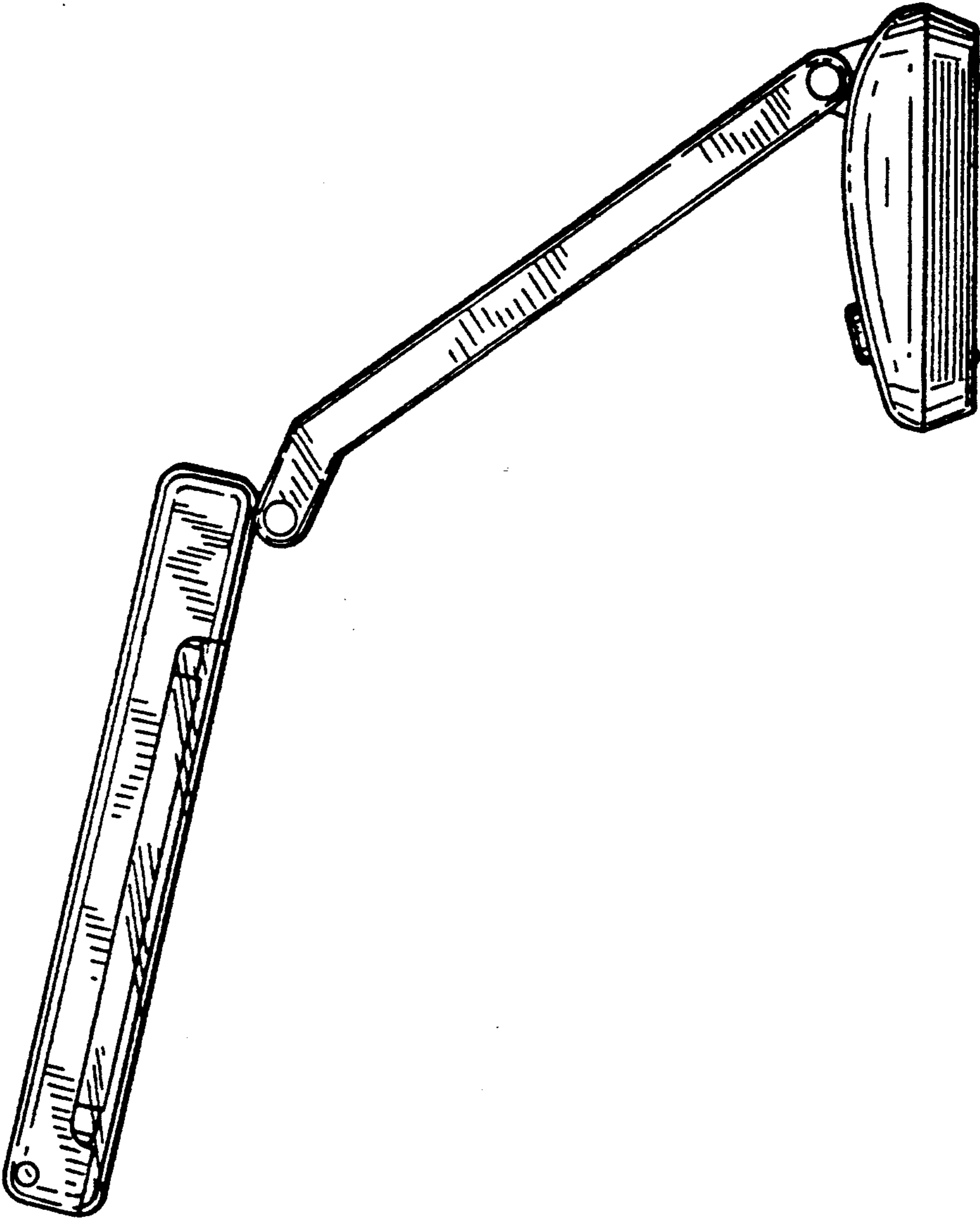


FIG. 7

