



US00D345809S

# United States Patent [19]

[11] Patent Number: **Des. 345,809**

**Bancroft**

[45] Date of Patent: **\*\* Apr. 5, 1994**

- [54] **FIXED PANEL HEAD SILL**
- [76] Inventor: **Joseph C. Bancroft**, 134 Harmony La., McComb, Miss. 39648
- [\*\*] Term: **14 Years**
- [21] Appl. No.: **940,825**
- [22] Filed: **Sep. 8, 1992**
- [52] U.S. Cl. .... **D25/124**
- [58] Field of Search ..... **49/504-505, 49/DIG. 2; 52/243.1; D25/48, 124, 138**

- [56] **References Cited**
- U.S. PATENT DOCUMENTS**
- D. 299,970 2/1989 Hardy ..... D25/124
- D. 311,587 10/1990 Slocomb, Jr. .... D25/124
- D. 314,241 1/1991 Slocomb, Jr. .... D25/124
- D. 333,877 3/1993 Cole ..... D25/124

*Primary Examiner*—A. Hugo Word

*Assistant Examiner*—Doris Clark  
*Attorney, Agent, or Firm*—Macdonald J. Wiggins

[57] **CLAIM**

The ornamental design for a fixed panel head sill, as shown and described.

**DESCRIPTION**

FIG. 1 is a fragmentary top perspective view of the fixed panel head sill showing my design;

FIG. 2 is a top plan view thereof broken away to indicate indeterminate length;

FIG. 3 is bottom plan view thereof broken away to indicate indeterminate length;

FIG. 4 is a front elevational view thereof in which the rear elevational view is a mirror image of the front view;

FIG. 5 is a right elevational view thereof broken away to indicate indeterminate length; and,

FIG. 6 is a left elevational view thereof broken away to indicate indeterminate length.

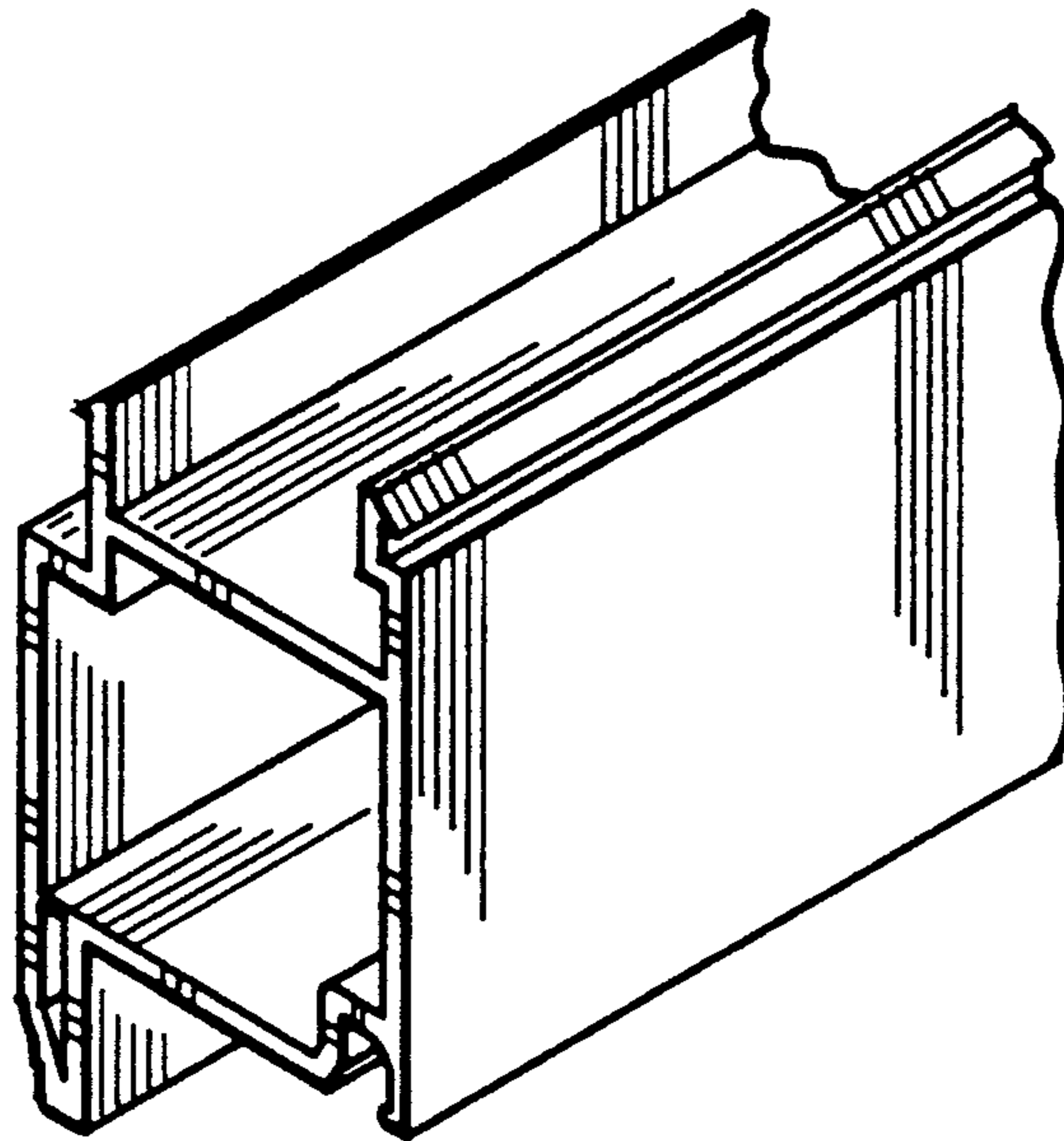


FIG. 1

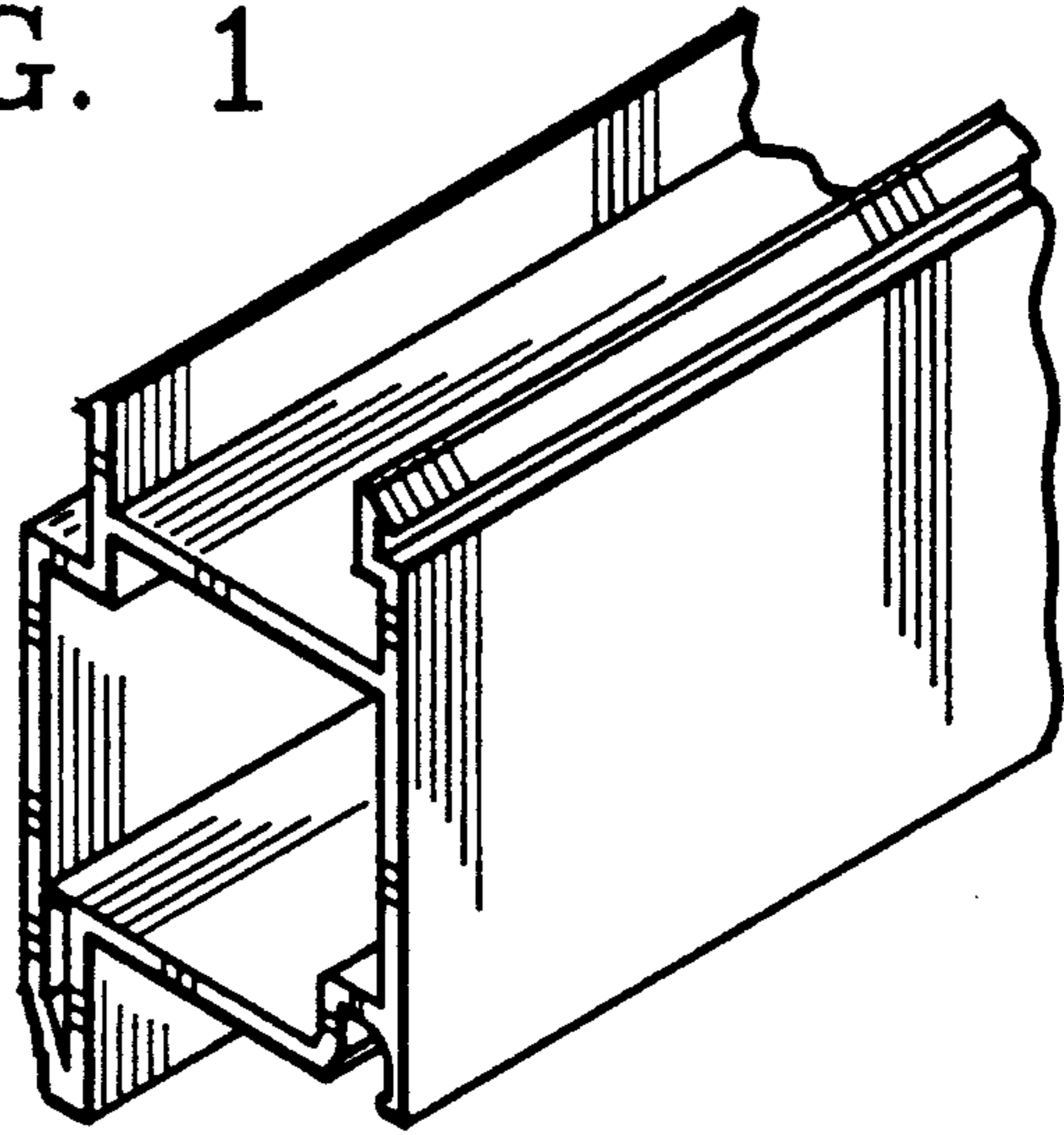


FIG. 2

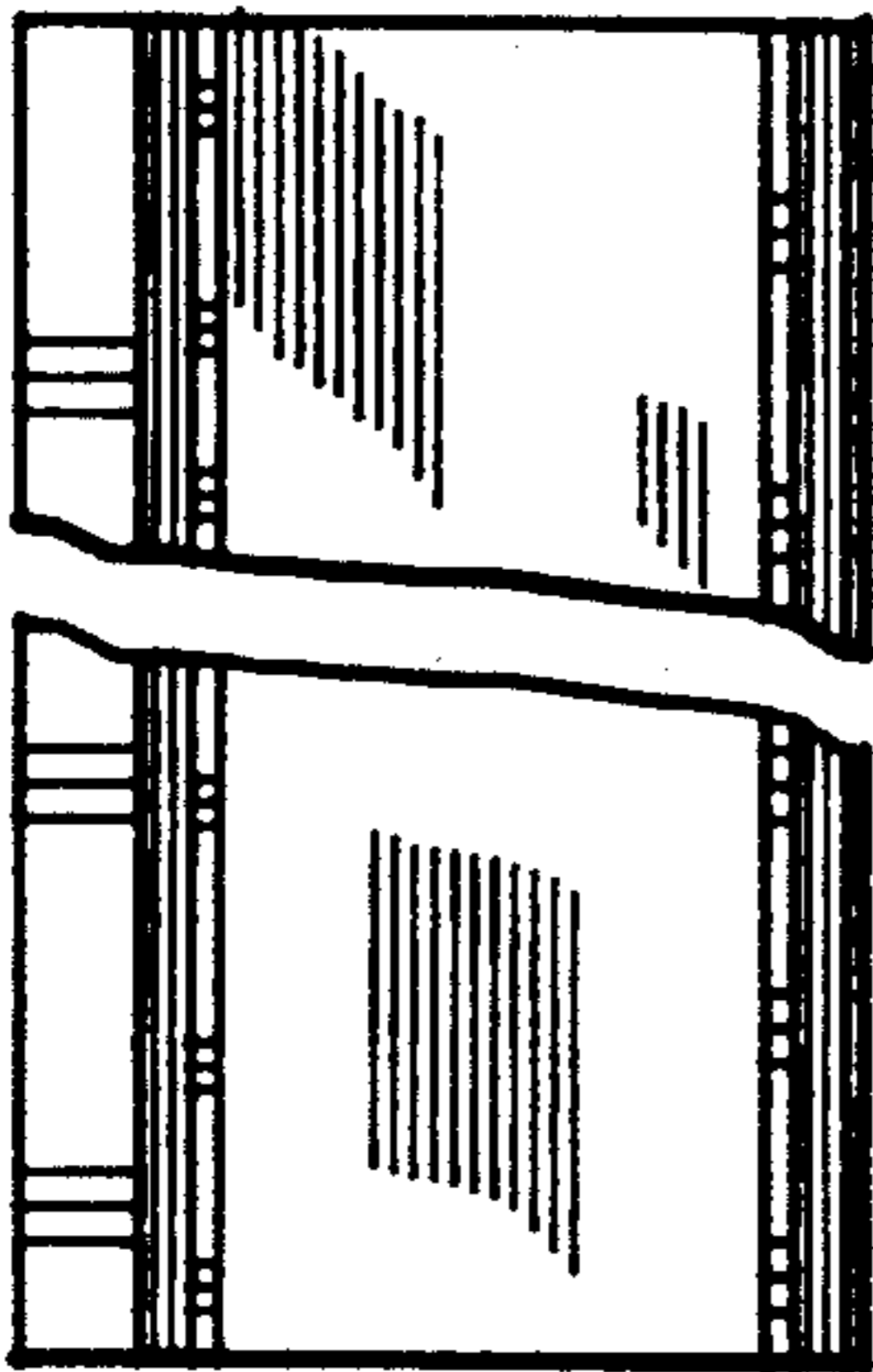


FIG. 3

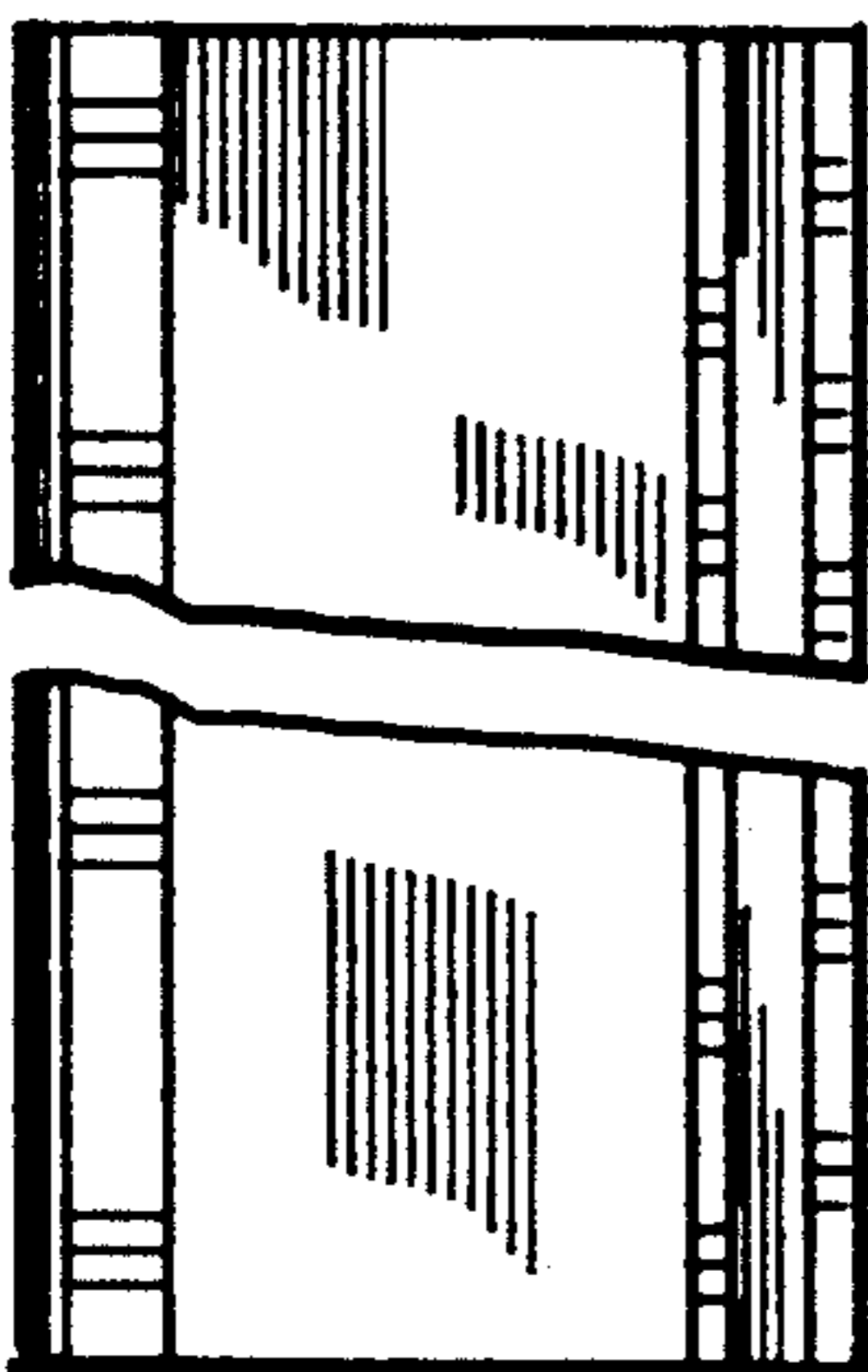


FIG. 4

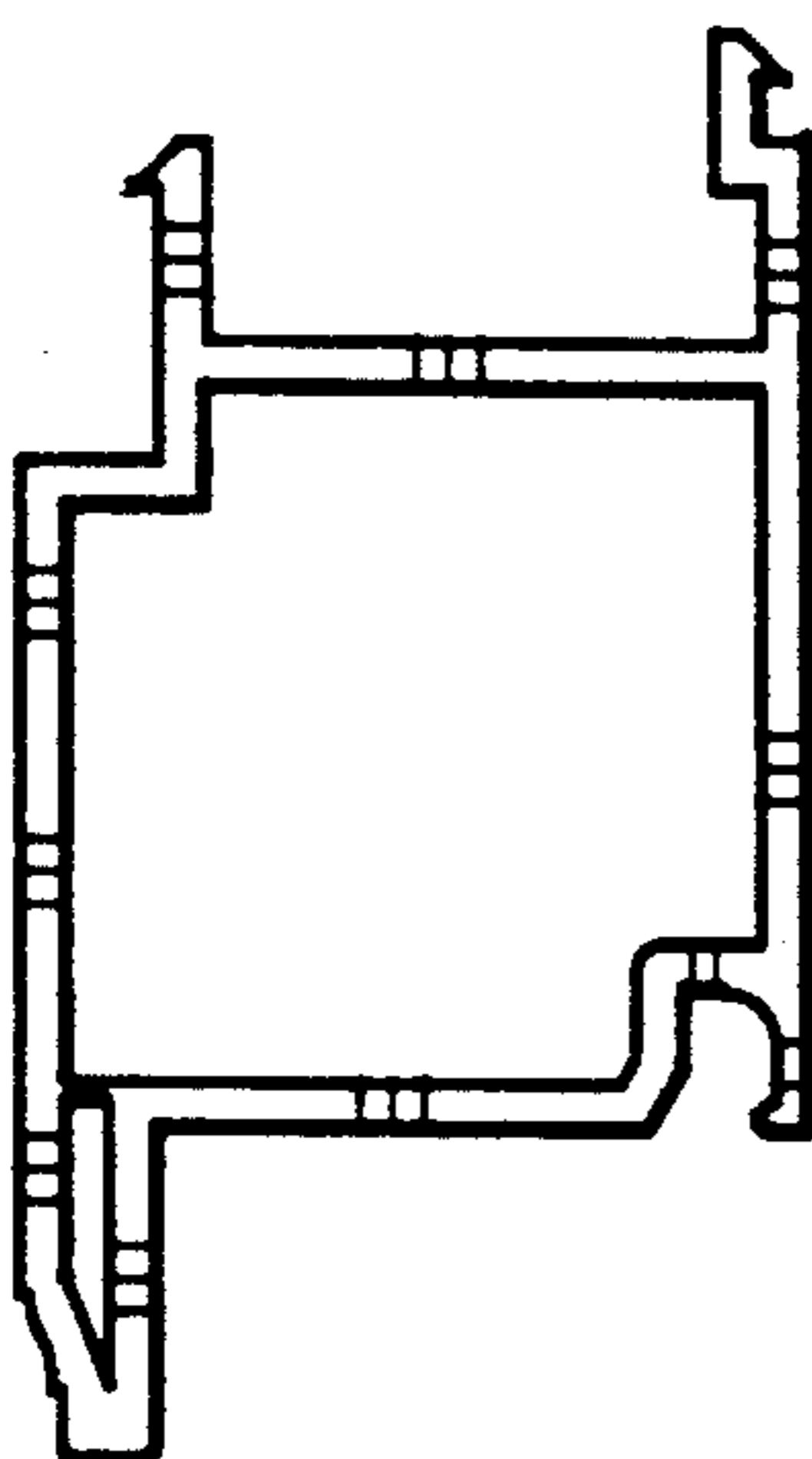


FIG. 5

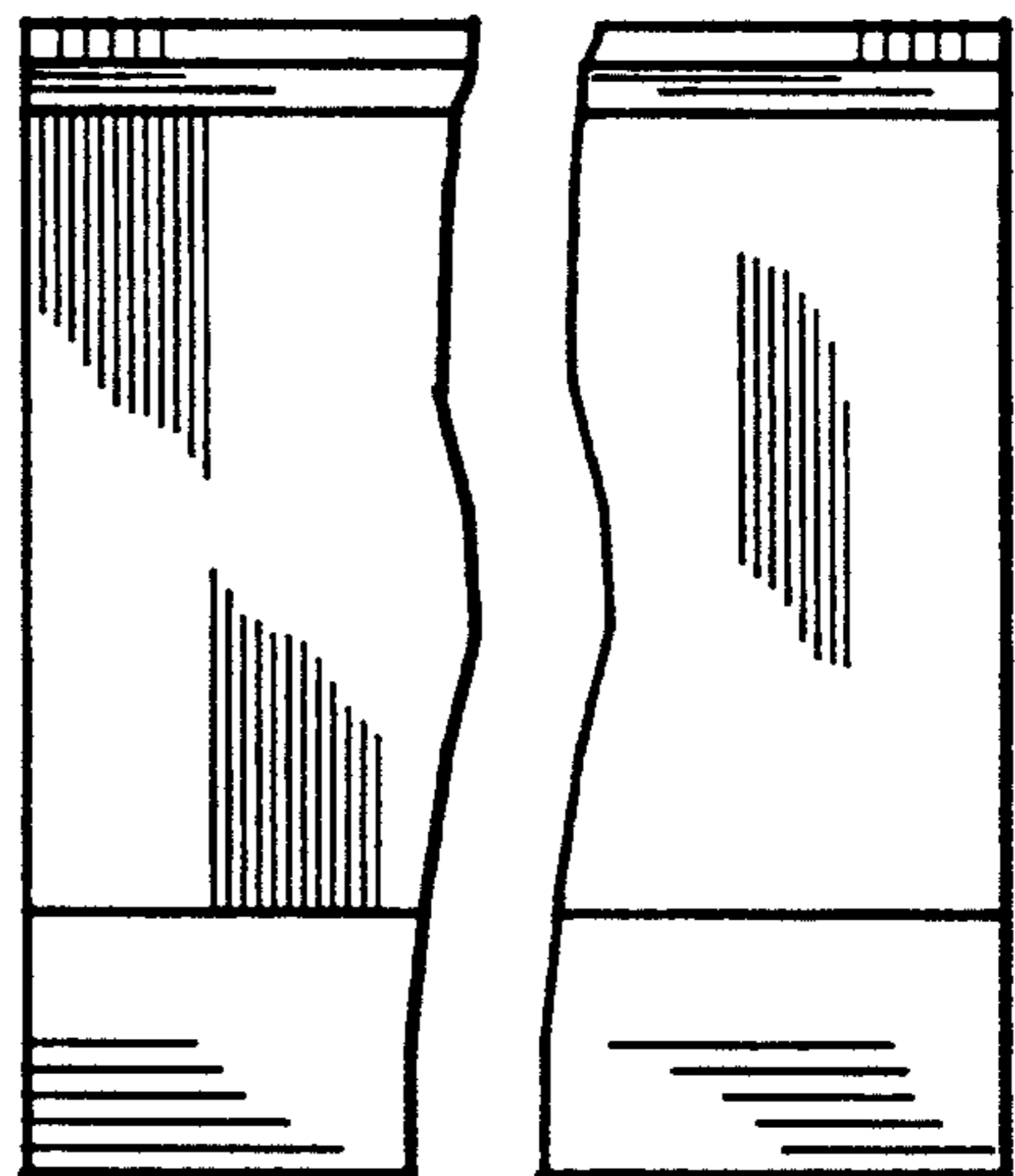


FIG. 6

