



US00D345808S

United States Patent [19]
Bancroft

[11] **Patent Number: Des. 345,808**

[45] **Date of Patent: ** Apr. 5, 1994**

[54] **EXTERIOR FRAME EXTENSION**

[76] **Inventor: Joseph C. Bancroft, 134 Harmony La., McComb, Miss. 39648**

[**] **Term: 14 Years**

[21] **Appl. No.: 940,830**

[22] **Filed: Sep. 8, 1992**

[52] **U.S. Cl. D25/119**

[58] **Field of Search 49/504, DIG. 2; D25/119, 52**

[56] **References Cited**

U.S. PATENT DOCUMENTS

2,697,932	12/1954	Goodwin	49/504
2,830,684	4/1958	Bancroft	D25/119
3,975,875	8/1976	Gross, Jr.	D25/119
4,069,641	1/1978	De Zutter	D25/119
4,344,257	8/1982	Anderson	D25/119
4,720,951	1/1988	Thom et al.	D25/119

Primary Examiner—A. Hugo Word
Assistant Examiner—Doris Clark

[57] **CLAIM**

The ornamental design for a exterior frame extension, as shown and described.

DESCRIPTION

FIG. 1 is a fragmentary top perspective view of the exterior frame extension showing my new design; FIG. 2 is a top plan view thereof broken away to indicate indeterminate length; FIG. 3 is a bottom plan view thereof broken away to indicate indeterminate length; FIG. 4 is a front elevational view thereof in which the rear elevational view is a mirror image of the front view; FIG. 5 is a right elevational view thereof broken away to indicate indeterminate length; and, FIG. 6 is a left elevational view thereof broken away to indicate indeterminate length.

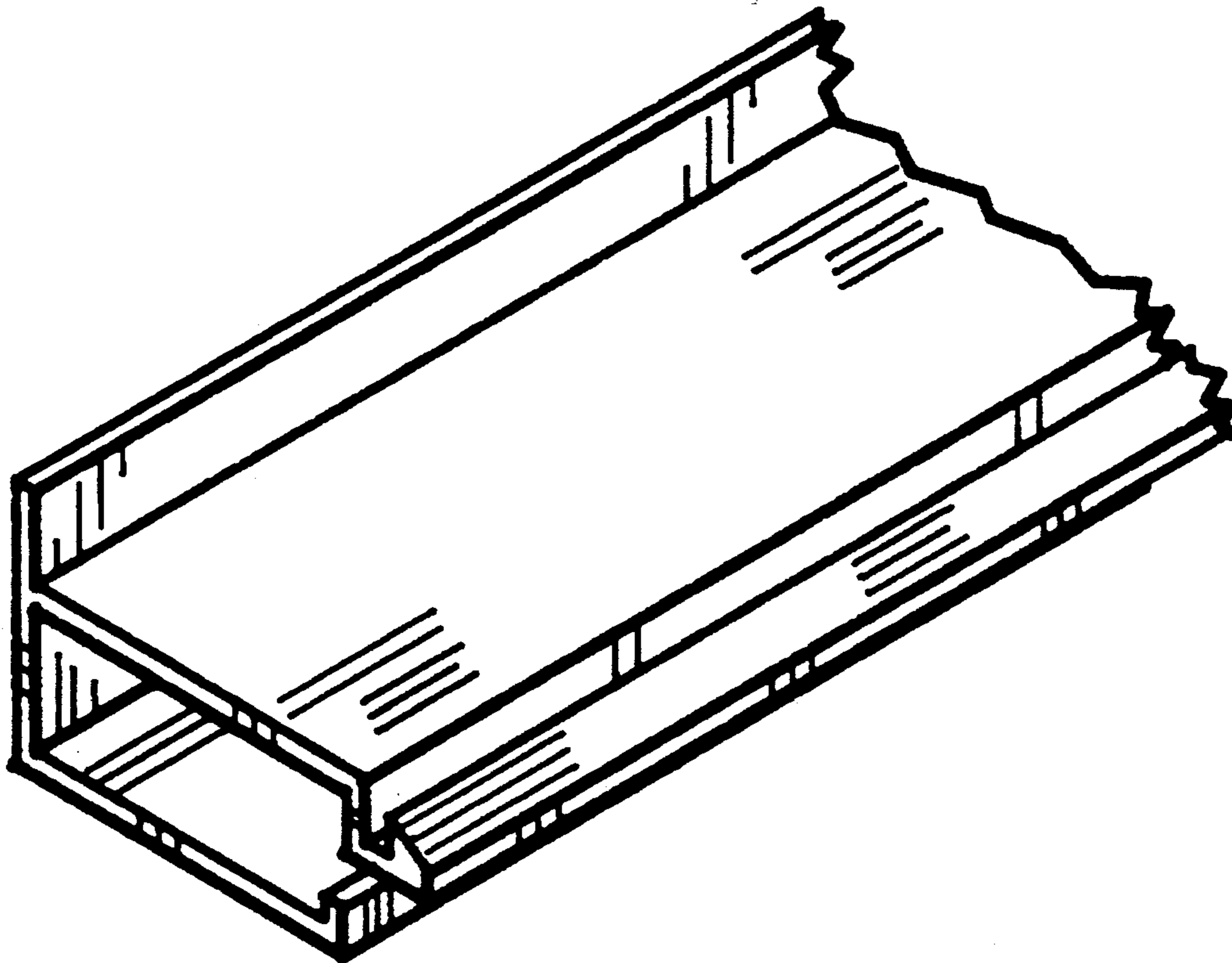


FIG. 2

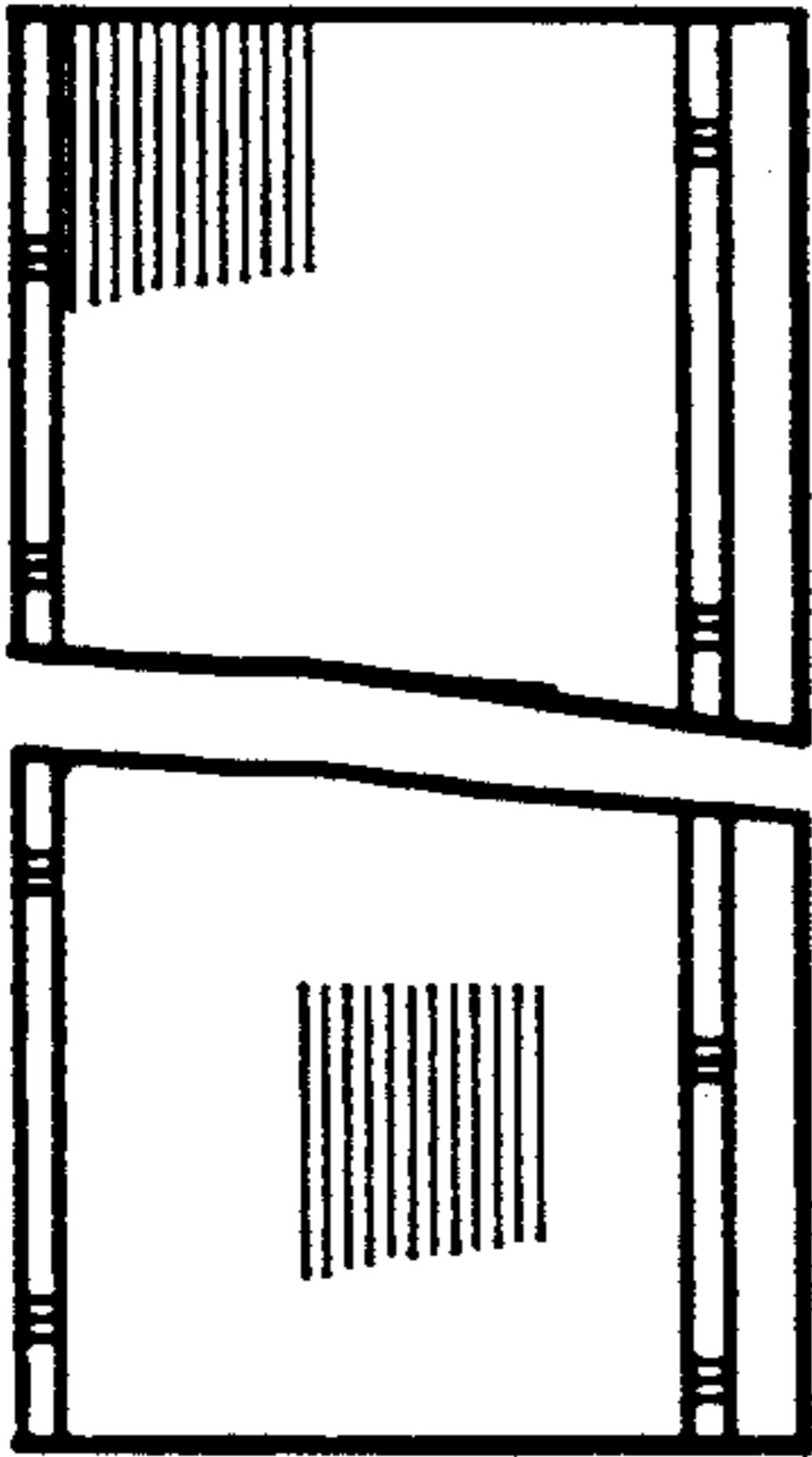


FIG. 1

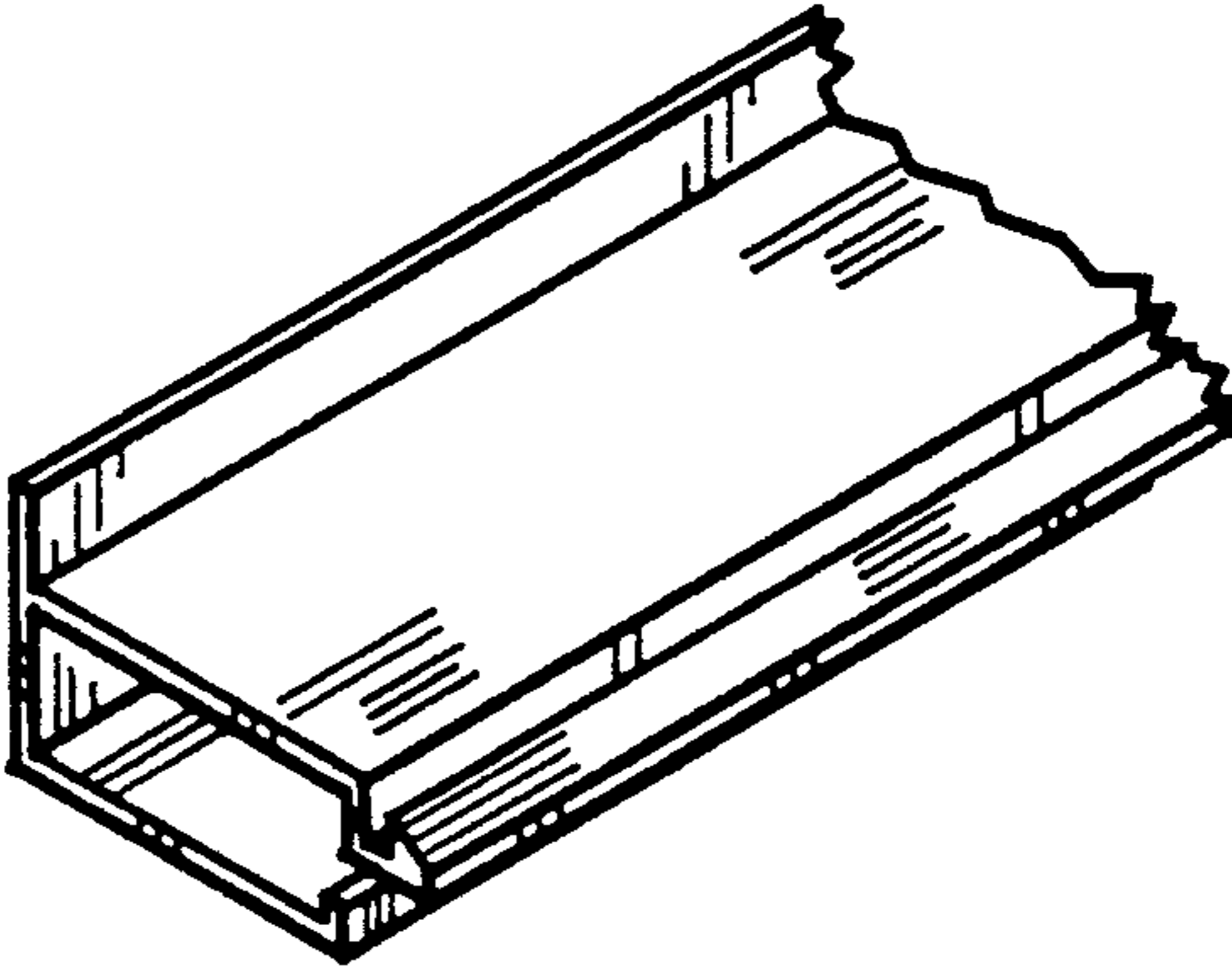


FIG. 3

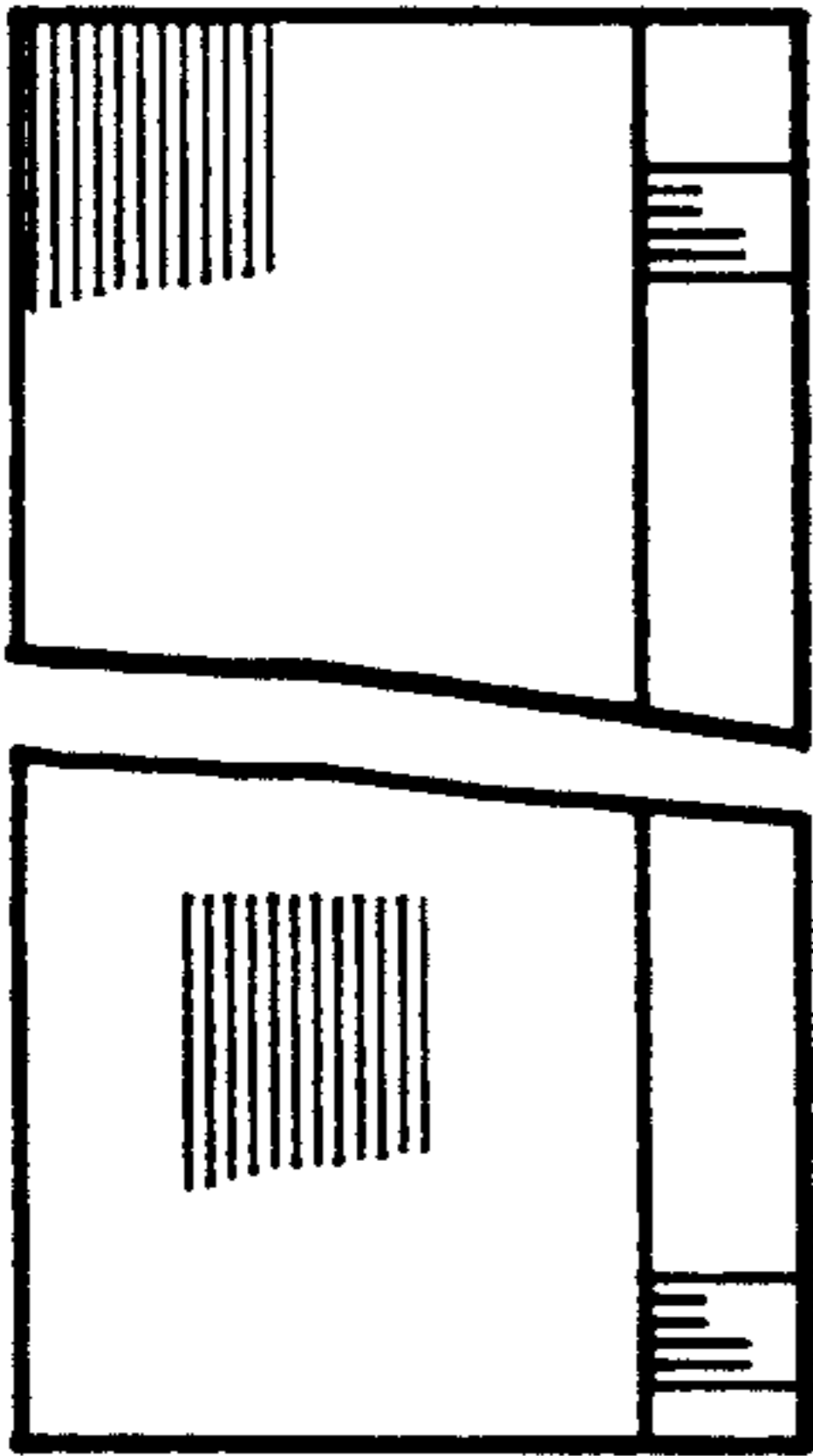


FIG. 5



FIG. 4

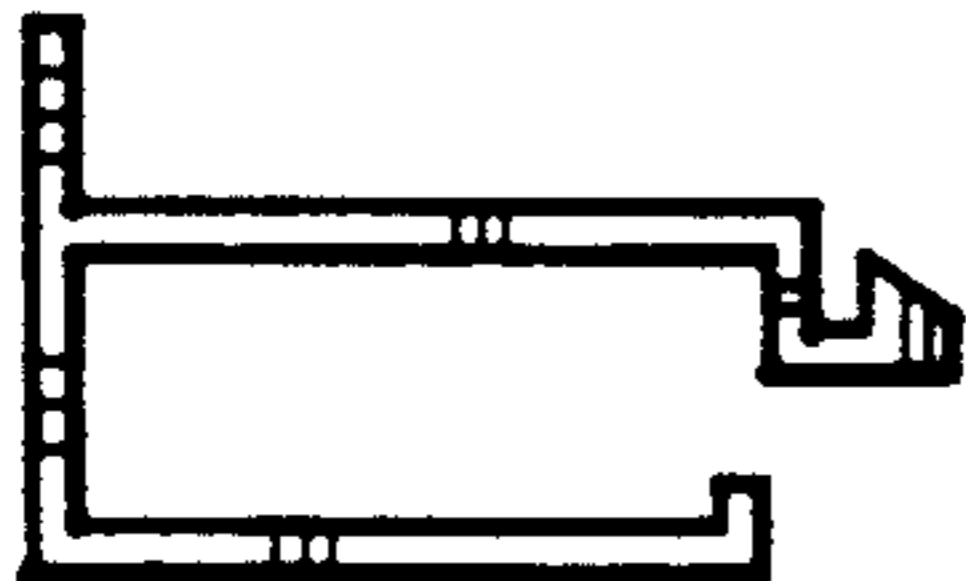


FIG. 6

