



US00D345802S

United States Patent [19]

Mason et al.

[11] Patent Number: **Des. 345,802**

[45] Date of Patent: **** Apr. 5, 1994**

[54] THERAPEUTIC FLUID PUMP

[75] Inventors: **Jeffrey T. Mason**, Escondido;
Bradley R. Mason, Olivenhain, both
of Calif.

[73] Assignee: **Breg, Inc.**, Vista, Calif.

[**] Term: **14 Years**

[21] Appl. No.: **850,063**

[22] Filed: **Mar. 12, 1992**

Related U.S. Application Data

[63] Continuation-in-part of Ser. No. 767,494, Sep. 30, 1991,
Pat. No. 5,241,951, which is a continuation-in-part of
Ser. No. 578,508, Sep. 5, 1990, Pat. No. 5,080,089.

[52] U.S. Cl. **D24/200**

[58] Field of Search 4/541.3, 541.4, 541.5;
D24/200, 201, 204

[56] **References Cited**

U.S. PATENT DOCUMENTS

3,788,770	1/1974	Johnson et al.	417/62
3,993,053	11/1976	Grossan	128/64
4,149,529	4/1979	Copeland et al.	128/24.1
4,691,762	9/1989	Elkins et al.	165/46
5,197,459	3/1993	Henkin et al.	4/541.4

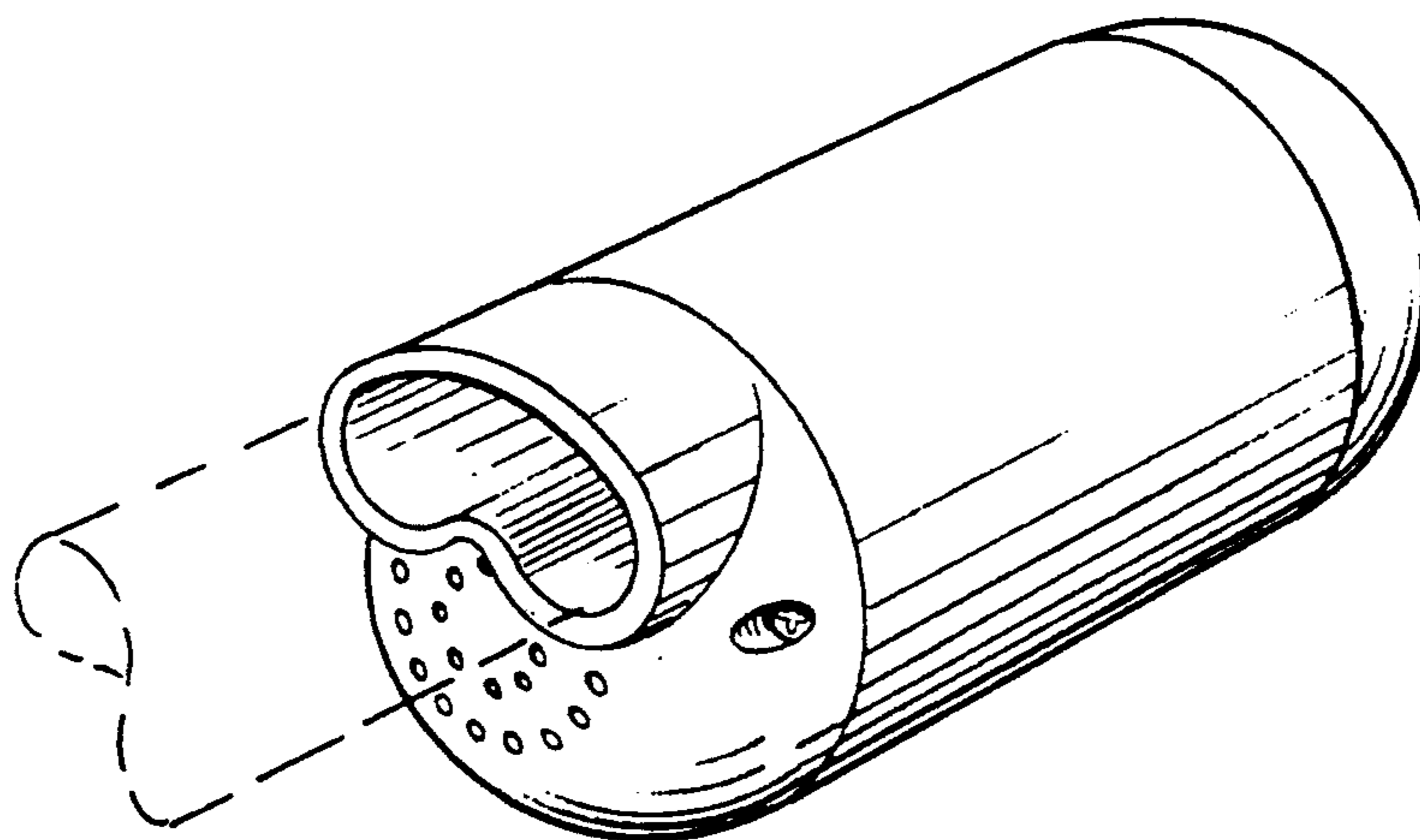
Primary Examiner—Stella Reid
Assistant Examiner—Eric Watterson
Attorney, Agent, or Firm—Rodney F. Brown

[57] **CLAIM**

The ornamental design for a therapeutic fluid pump, as shown and described.

DESCRIPTION

FIG. 1 is a top perspective view of a therapeutic fluid pump showing our design, the broken line showing the conduit is for illustrative purposes only and forms no part of the claimed design;
FIG. 2 is a side elevational view thereof;
FIG. 3 is a top plan view thereof;
FIG. 4 is a bottom plan view thereof;
FIG. 5 is a front elevational view thereof; and,
FIG. 6 is a back elevational view thereof.



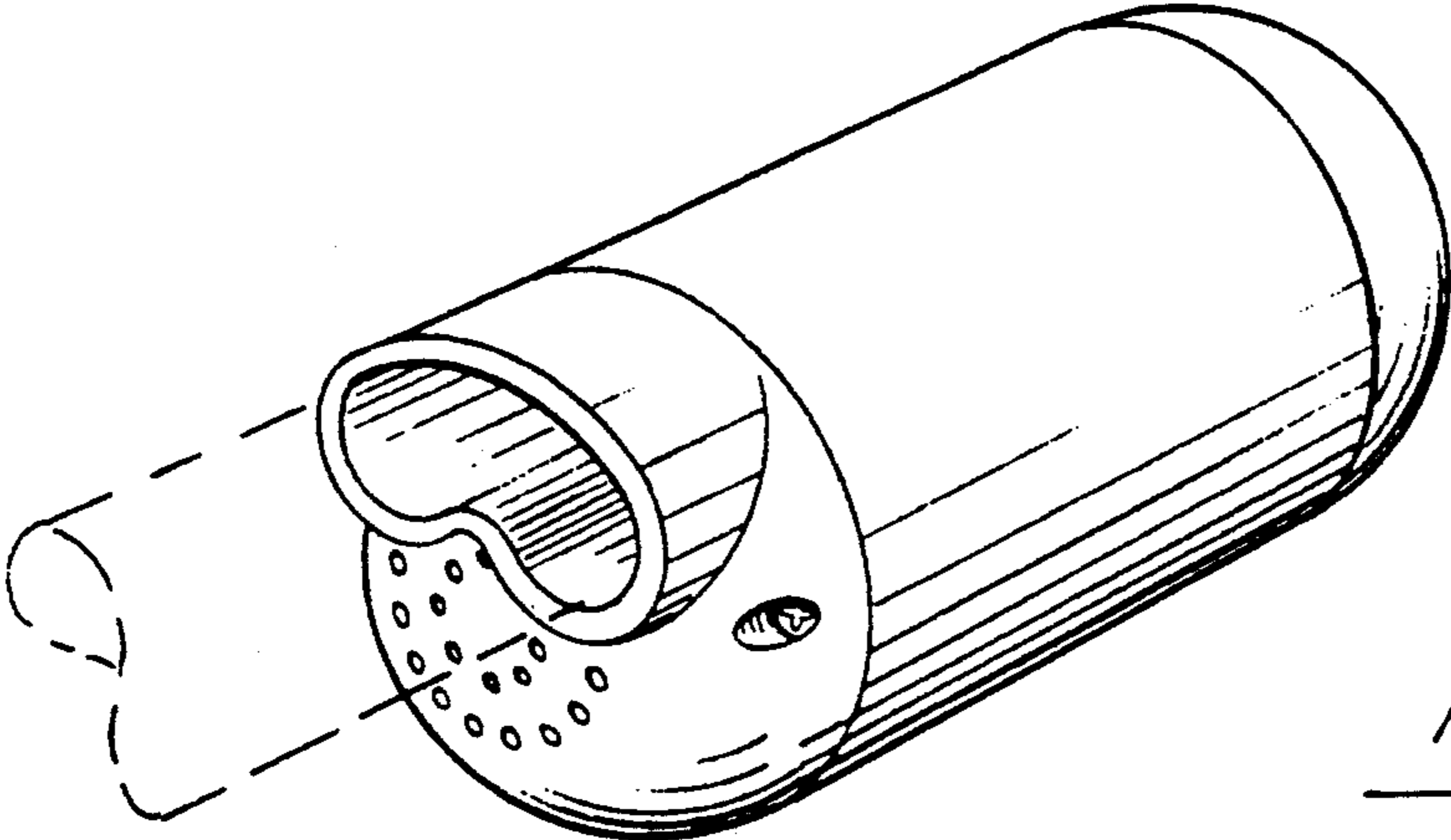


Fig. 1

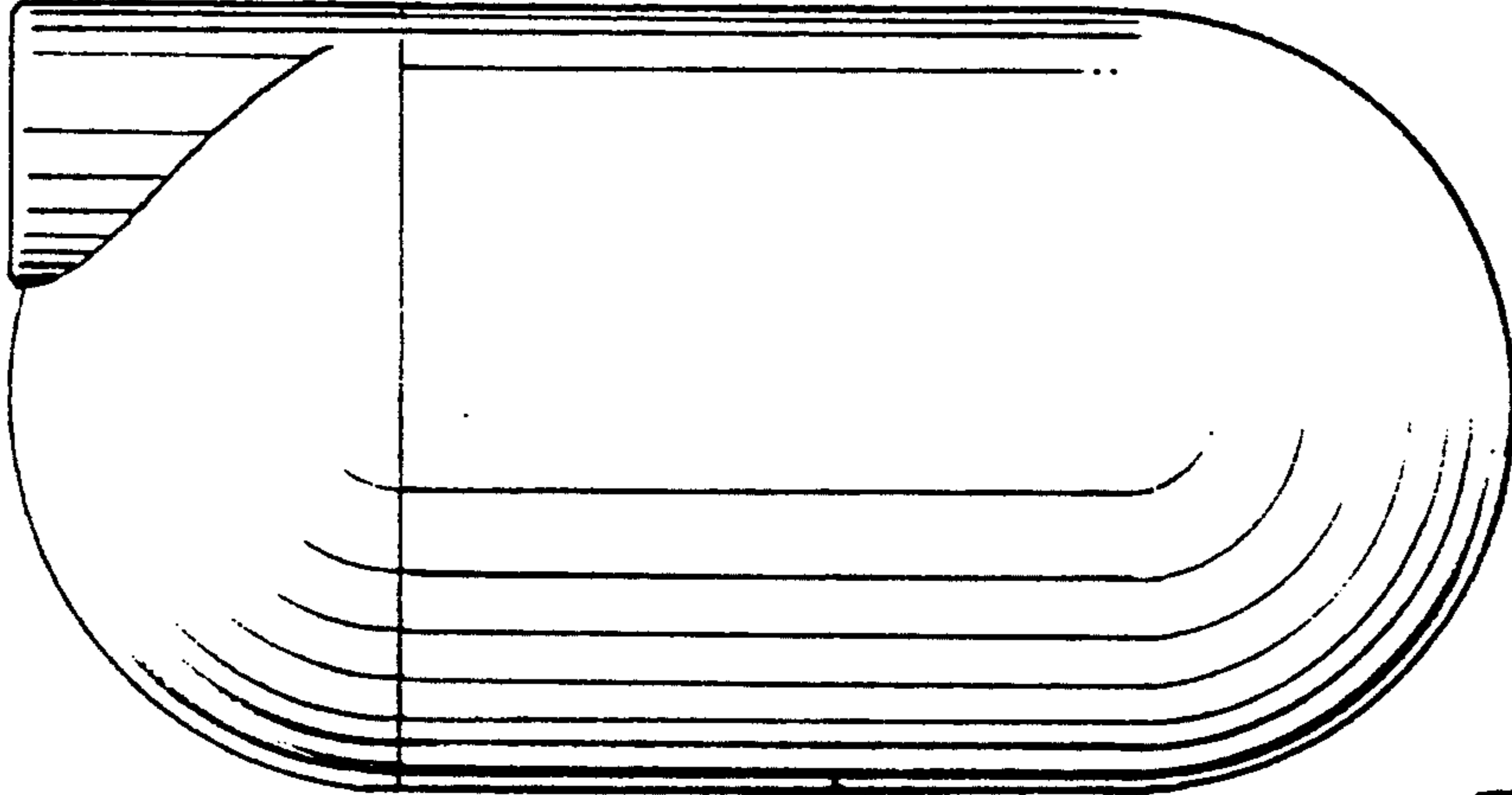


Fig. 2

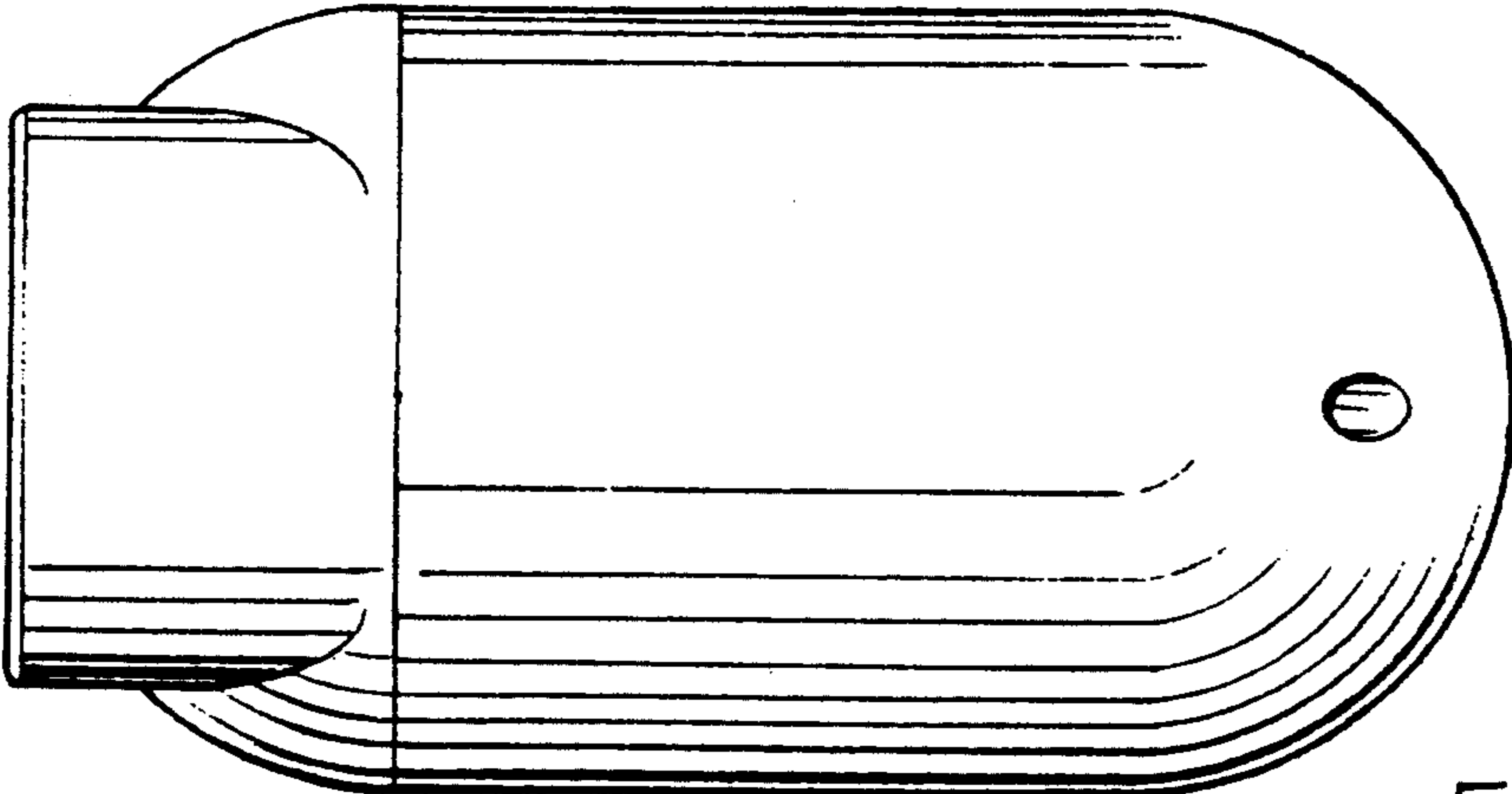


Fig. 3

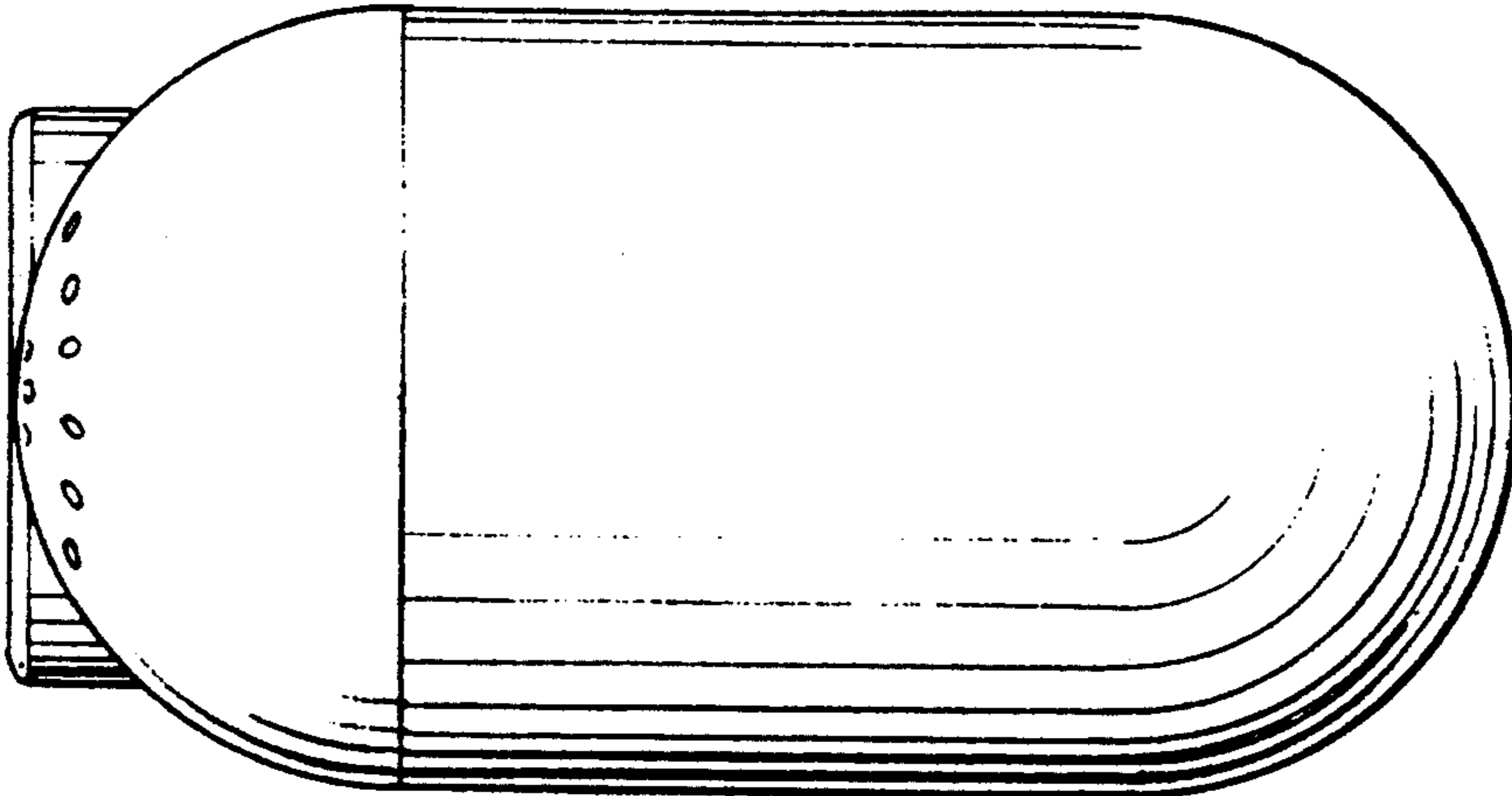


Fig. 4

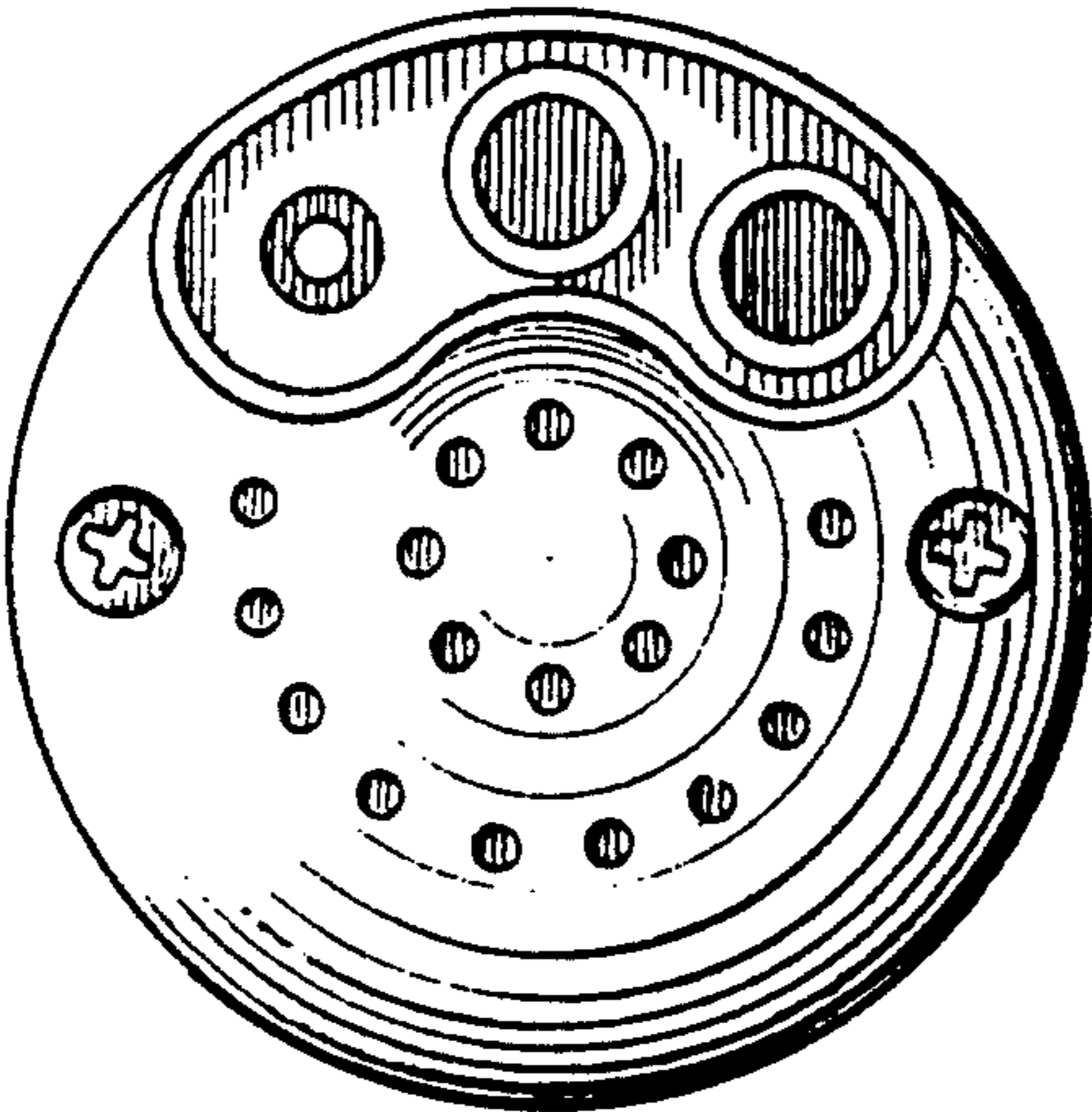


Fig. 5

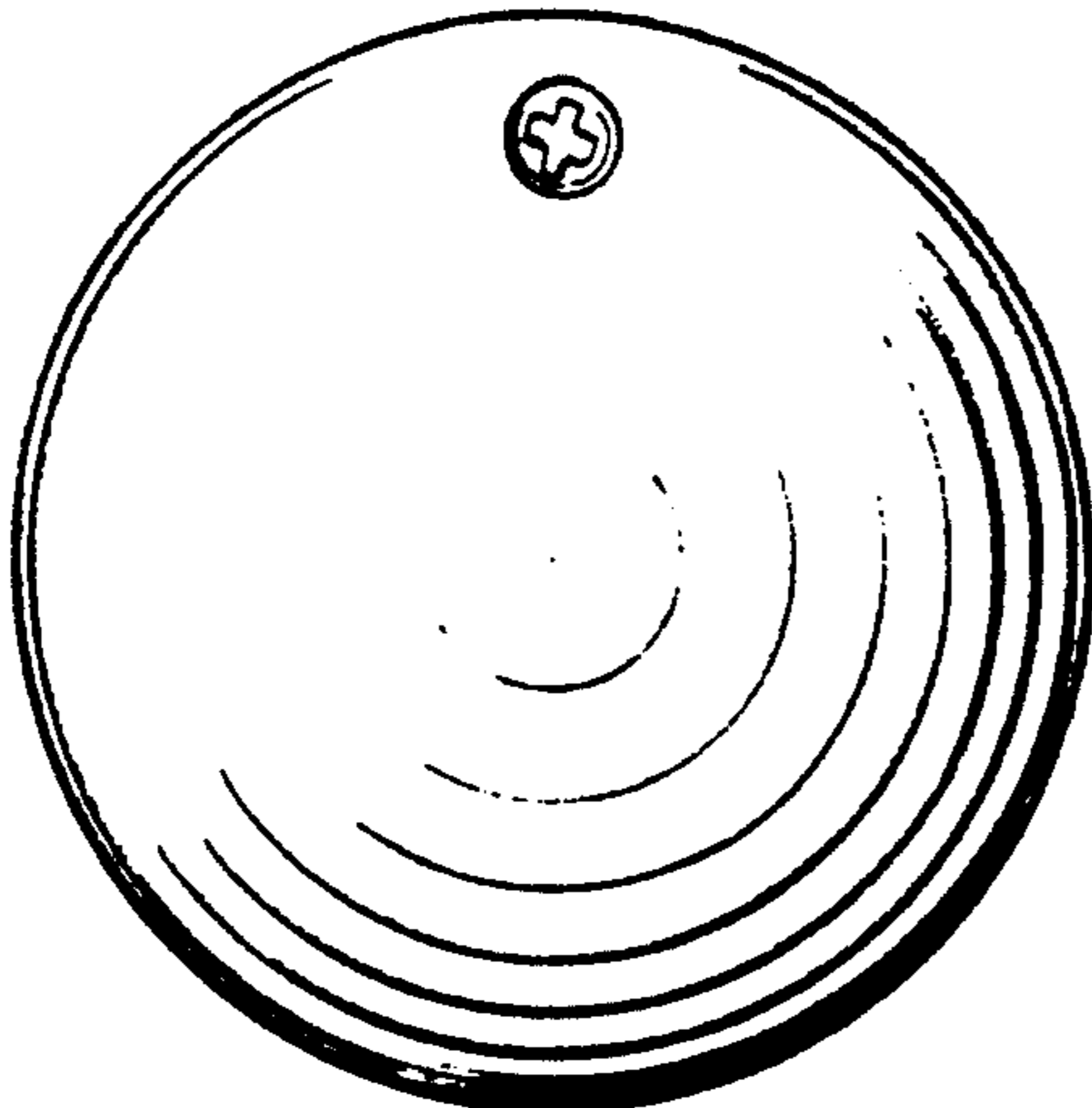


Fig. 6