



US00D345800S

United States Patent [19] Mills

[11] Patent Number: **Des. 345,800**

[45] Date of Patent: **** Apr. 5, 1994**

[54] **COMBINED BABY BOTTLE HOLDER AND FEEDER**

[76] Inventor: **Allan L. Mills, 319 Shawen Dr., Hampton, Va. 23669**

[**] Term: **14 Years**

[21] Appl. No.: **8,950**

[22] Filed: **Jun. 1, 1993**

[52] U.S. Cl. **D24/199**

[58] Field of Search **248/102, 103, 104, 105, 248/106, 107; D24/199**

[56] **References Cited**

U.S. PATENT DOCUMENTS

D. 292,231 10/1987 Hudson D24/199
1,386,392 8/1921 Brant 248/107

2,211,227 8/1940 Feindel 248/106
2,261,604 11/1941 Seitz, Jr. 248/107
2,639,111 5/1953 Wells 248/105
2,890,007 6/1959 Rutledge, Sr. D24/199 X

Primary Examiner—Stella Reid
Attorney, Agent, or Firm—S. Michael Bender

[57] **CLAIM**

The ornamental design for a combined baby bottle holder and feeder, as shown and described.

DESCRIPTION

FIG. 1 is a front elevational view of a combined baby bottle holder and feeder showing my new design; FIG. 2 is a rear elevational view thereof; FIG. 3 is a left side elevational view thereof; FIG. 4 is a right side elevational view thereof; FIG. 5 is a top plan view thereof; and, FIG. 6 is a bottom plan view thereof.

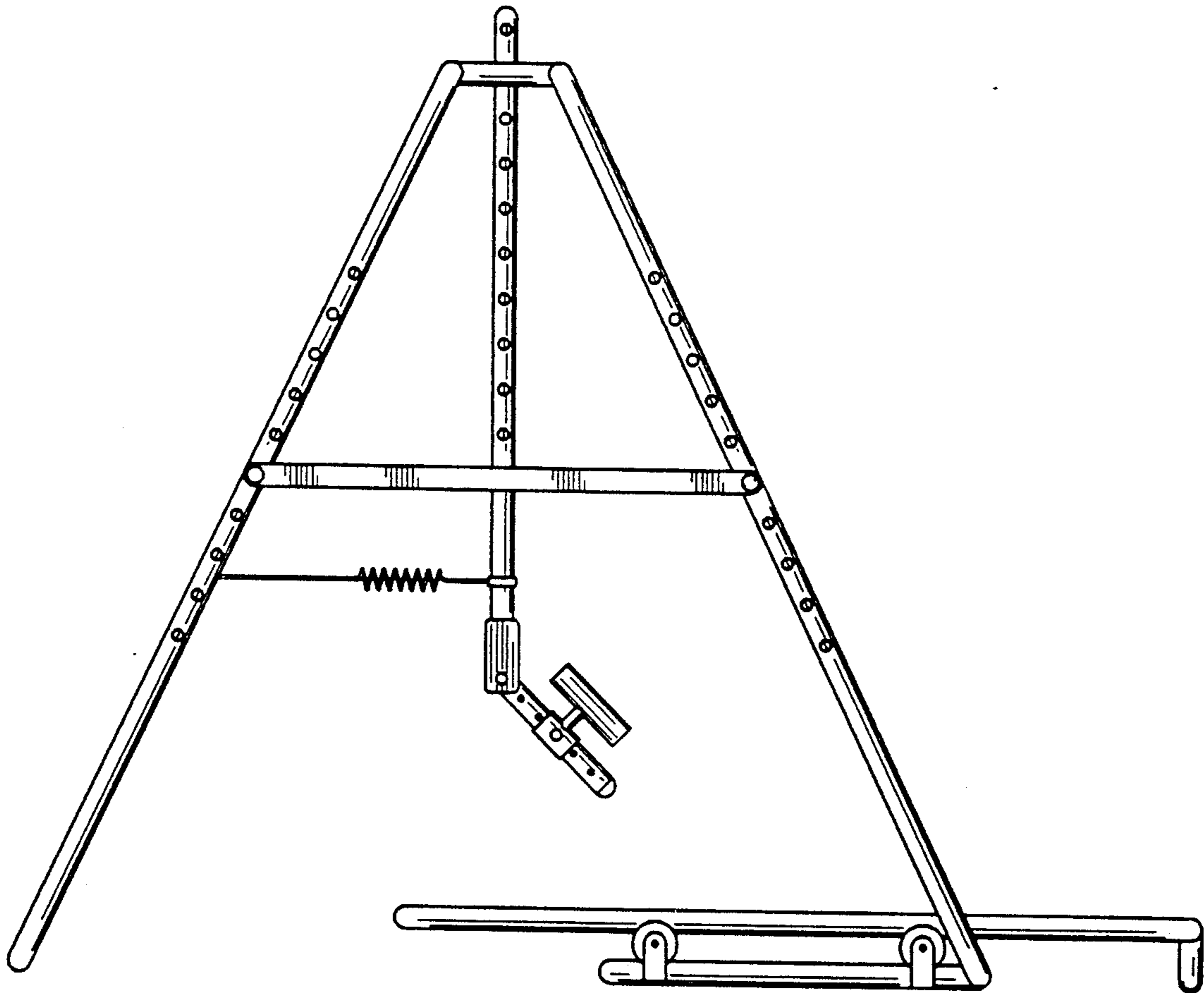


FIG. 1

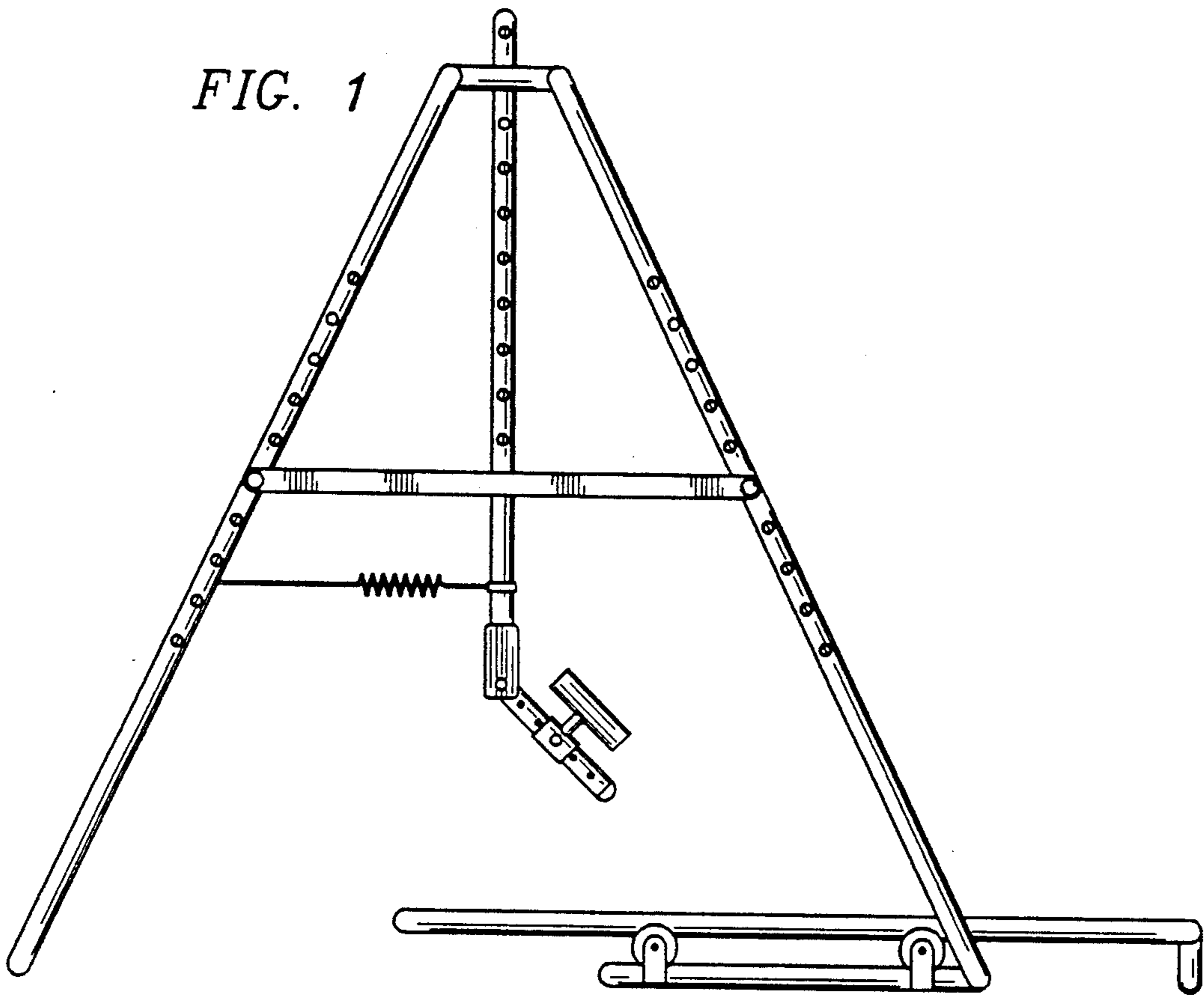


FIG. 2

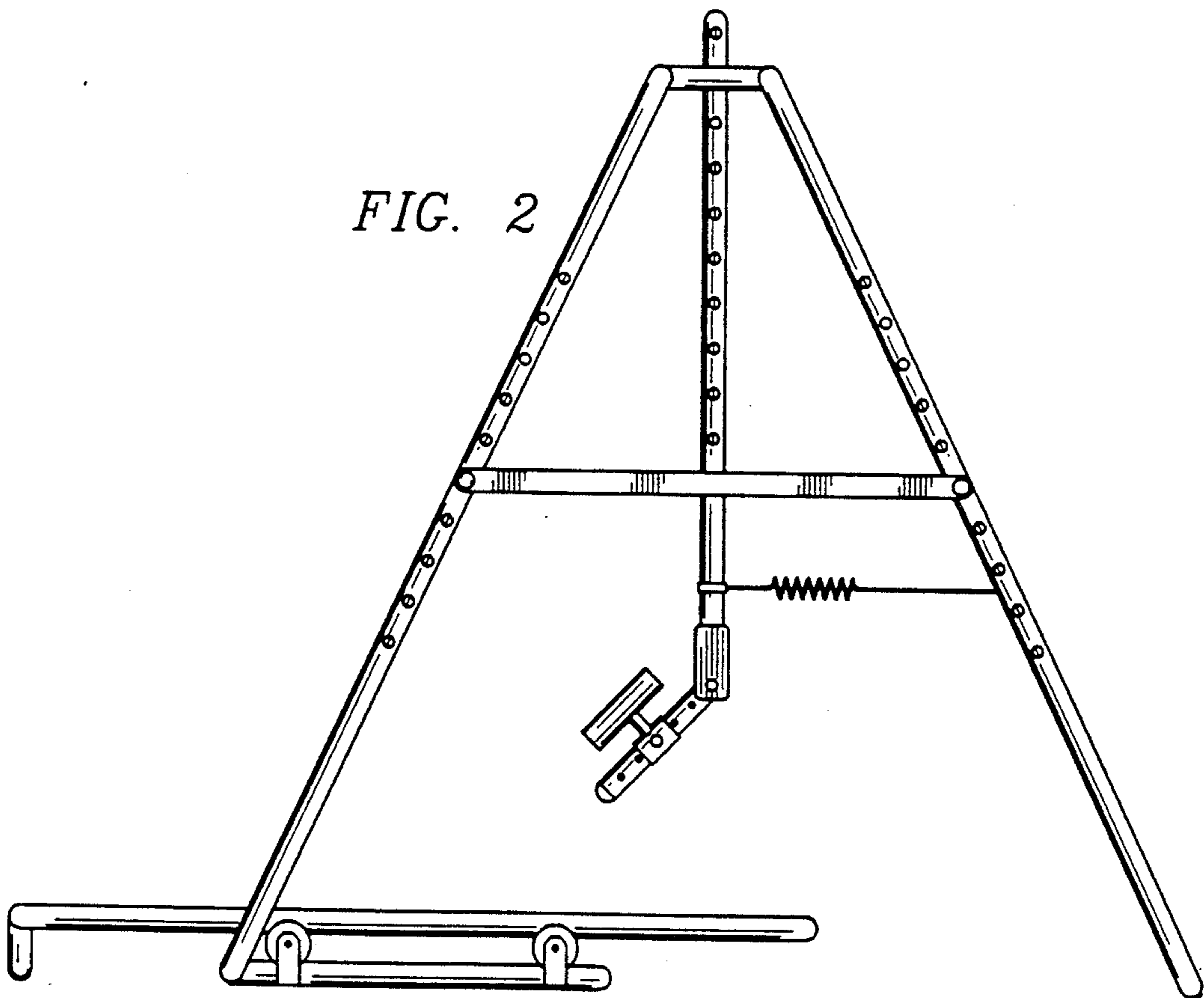


FIG. 3

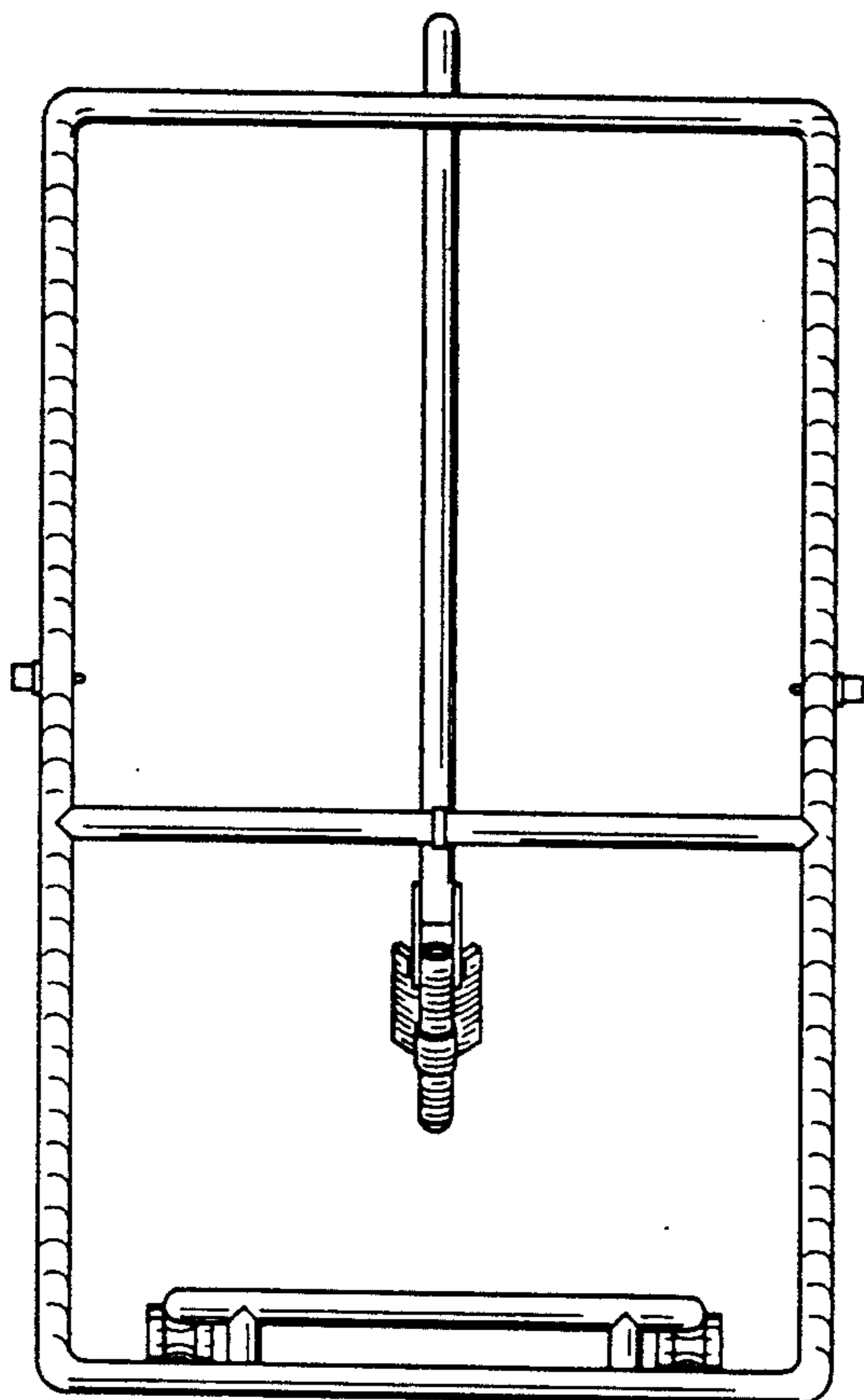


FIG. 4

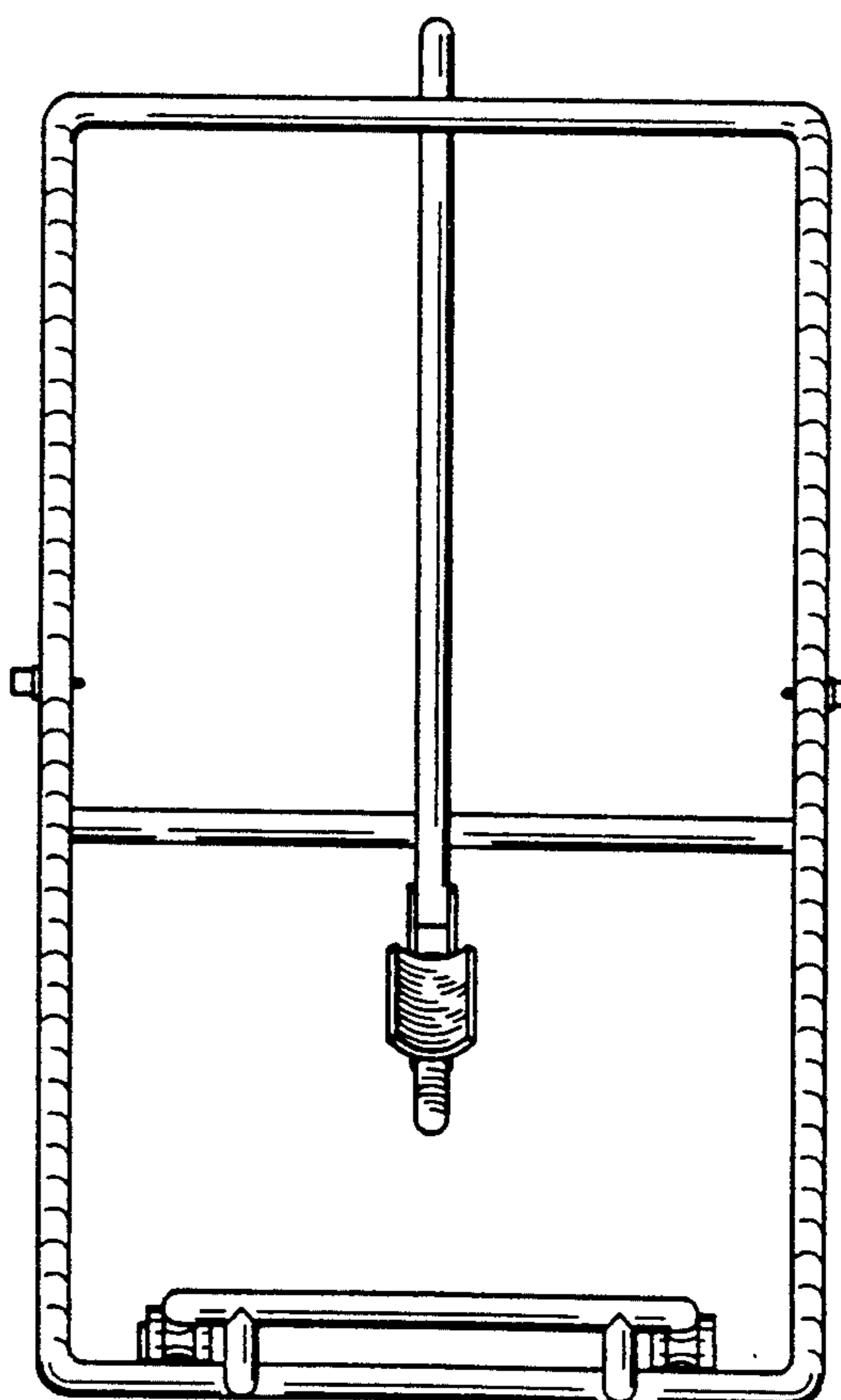


FIG. 5

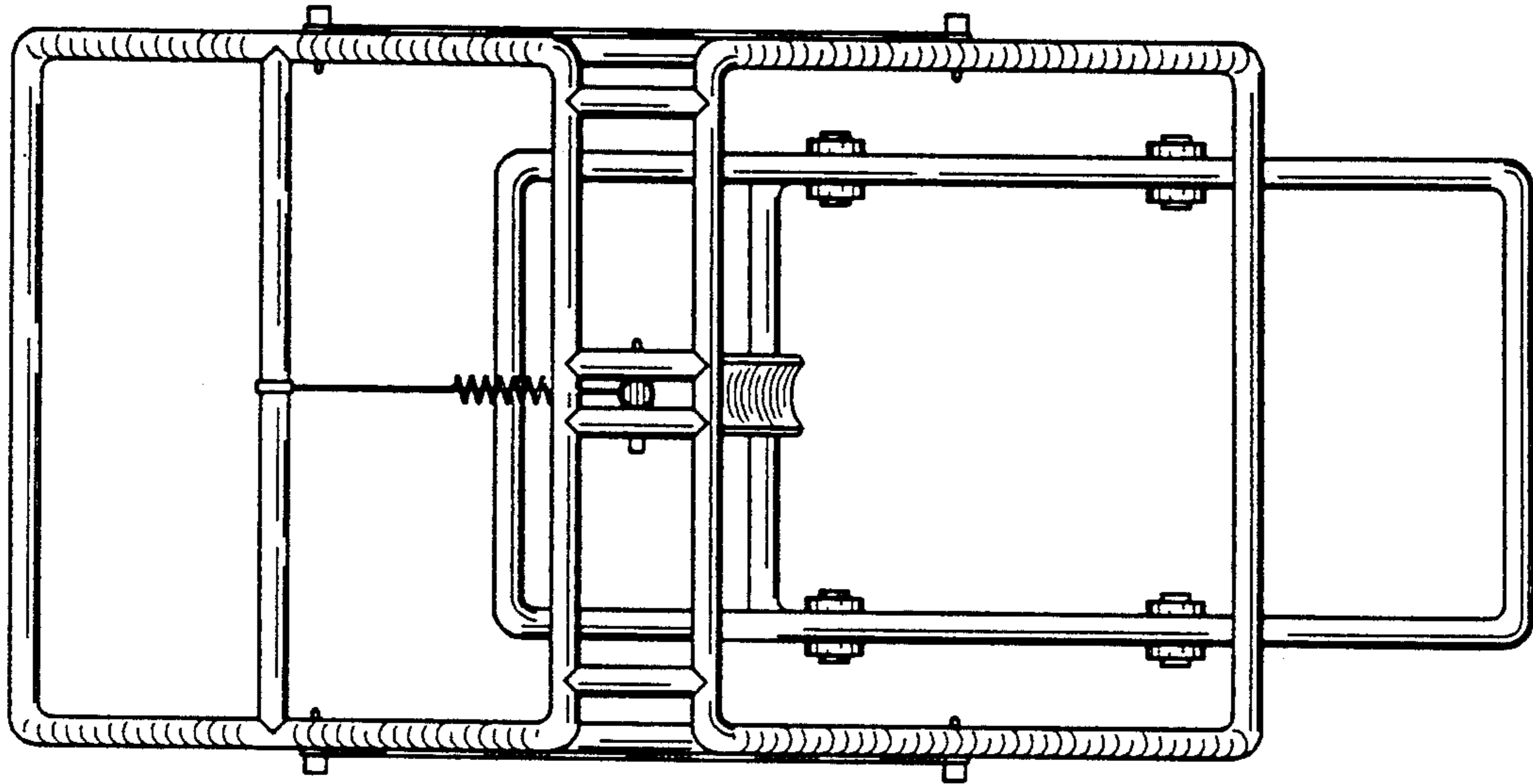


FIG. 6

