



US00D345799S

United States Patent [19]

[11] Patent Number: **Des. 345,799**

Lamond et al.

[45] Date of Patent: **** Apr. 5, 1994**

[54] **MEDICAL TREATMENT SELF-CENTERING CLAMP**

[75] Inventors: **Donald R. Lamond, Lynbrook, N.Y.; Bert Heinzelman, Tenafly, N.J.**

[73] Assignee: **OrthoLogic Corp., Phoenix, Ariz.**

[**] Term: **14 Years**

[21] Appl. No.: **816,079**

[22] Filed: **Dec. 27, 1991**

[52] U.S. Cl. **D24/188; D24/143**

[58] Field of Search **600/15; 602/2; 128/419, 128/802; D24/143, 188, 183, 190, 192, 158**

[56] **References Cited**

U.S. PATENT DOCUMENTS

D. 285,967	9/1986	Murphy	D24/143
2,404,283	7/1946	Gierinczk	128/802
4,266,532	5/1981	Ryaby et al.	128/802 X
4,456,001	6/1984	Pescatore .	
4,550,714	11/1985	Talish et al. .	
4,616,629	10/1986	Moore .	
4,635,643	1/1987	Brown .	
4,932,951	6/1990	Liboff et al.	600/15
5,045,050	9/1991	Liboff et al.	600/15 X
5,139,474	8/1992	Lamond et al.	600/15 X
5,181,902	1/1993	Erickson et al.	600/15 X

Primary Examiner—A. Hugo Word
Assistant Examiner—I. Simmons
Attorney, Agent, or Firm—Dykema Gossett

[57] **CLAIM**

The ornamental design for a medical treatment self-centering clamp, as shown and described.

DESCRIPTION

FIG. 1 is a first end view of a medical treatment self-centering clamp according to the present invention; FIG. 2 is a bottom view of a medical treatment self-centering clamp illustrated in FIG. 1; FIG. 3 is a view of the right side of a medical treatment self-centering clamp as shown in FIG. 1; FIG. 4 is a view of the left side of a medical treatment self-centering clamp as shown in FIG. 1; FIG. 5 is a top view of a medical treatment self-centering clamp illustrated in FIG. 1; FIG. 6 is a view of the end of a medical treatment self-centering clamp from the end opposed to that illustrated in FIG. 1; FIG. 7 is a view of a medical treatment self-centering clamp illustrated in FIG. 1 moved to an open position; and, FIG. 8 is a perspective view of a medical treatment self-centering clamp.

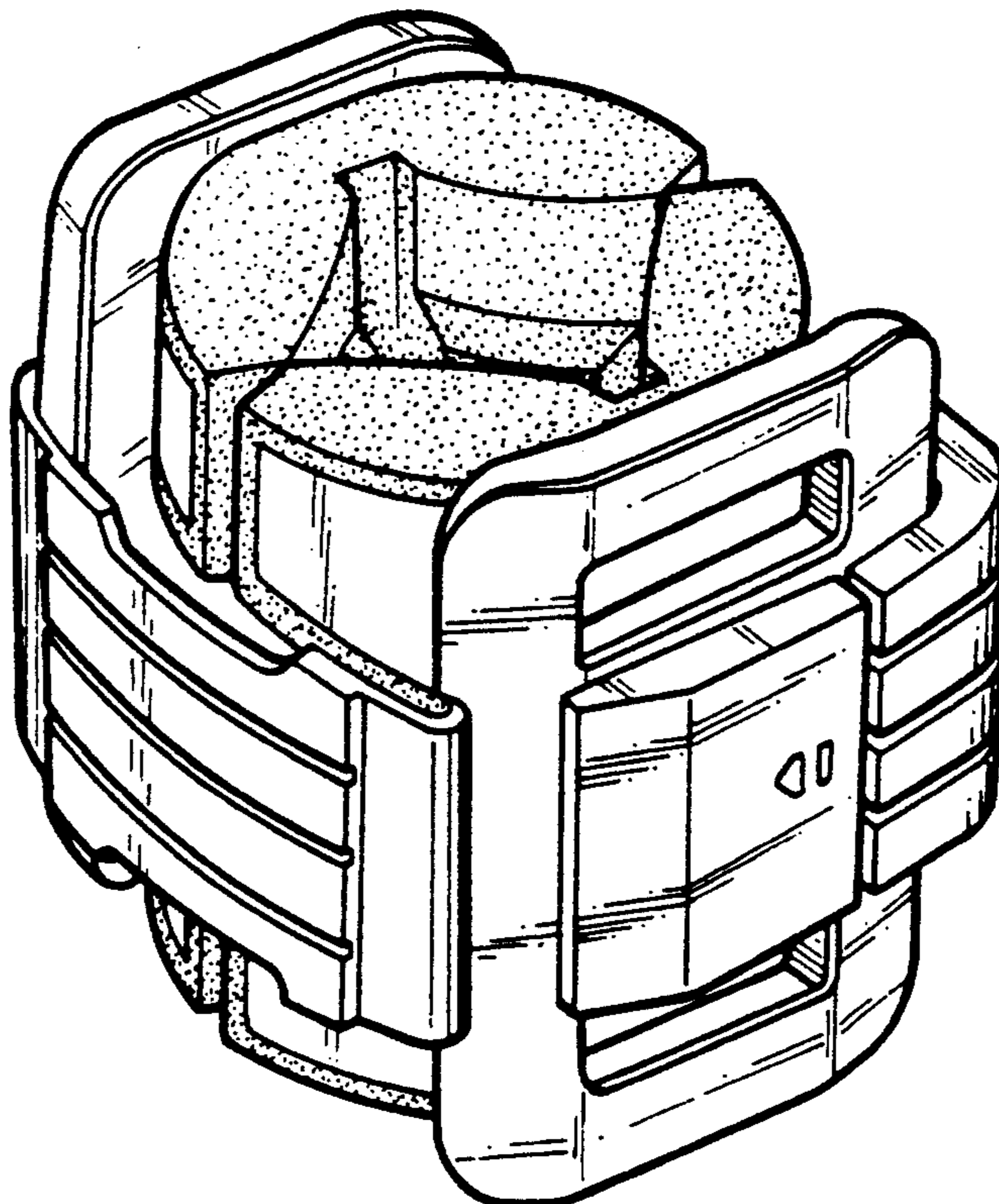


Fig-1

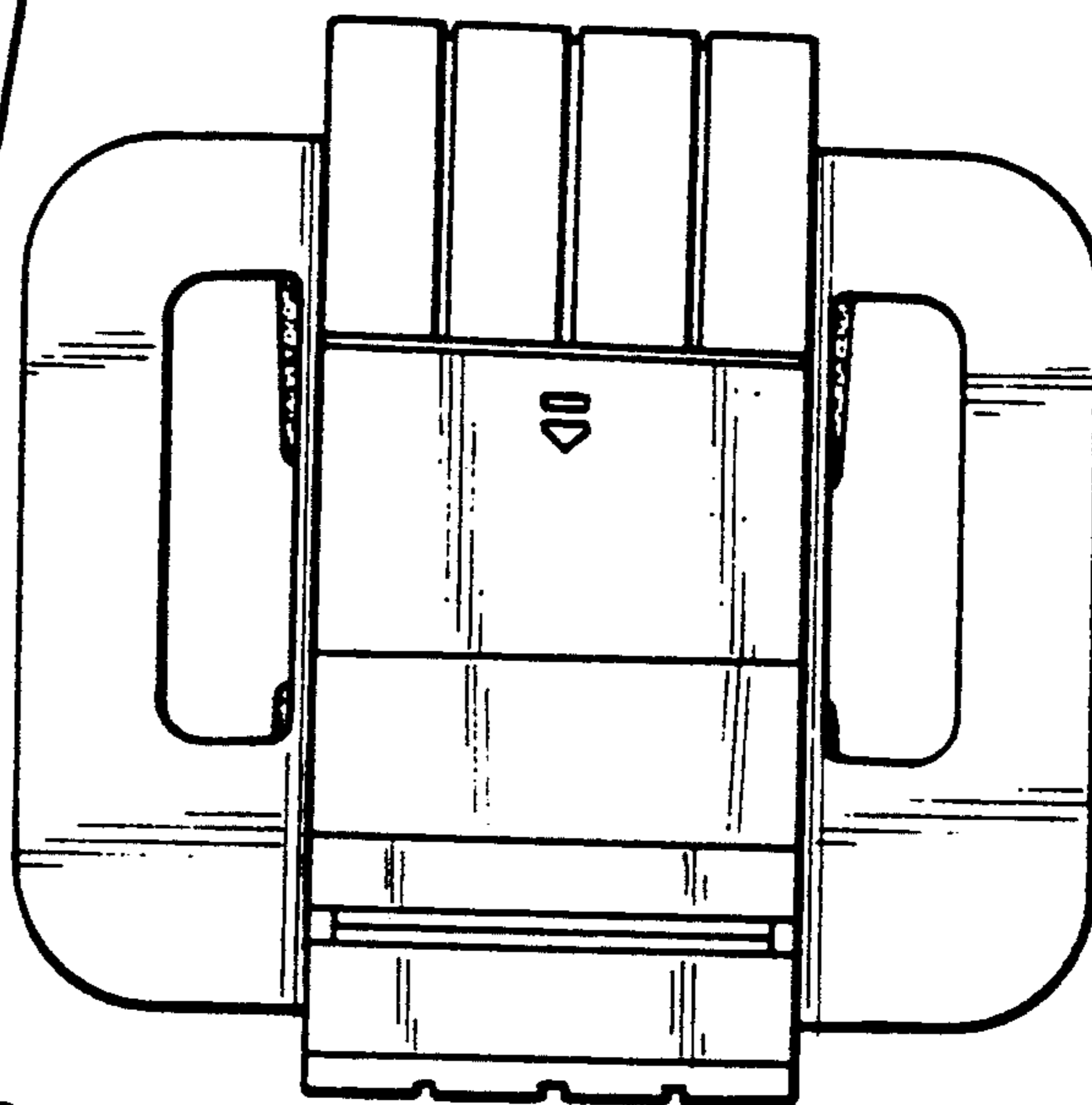
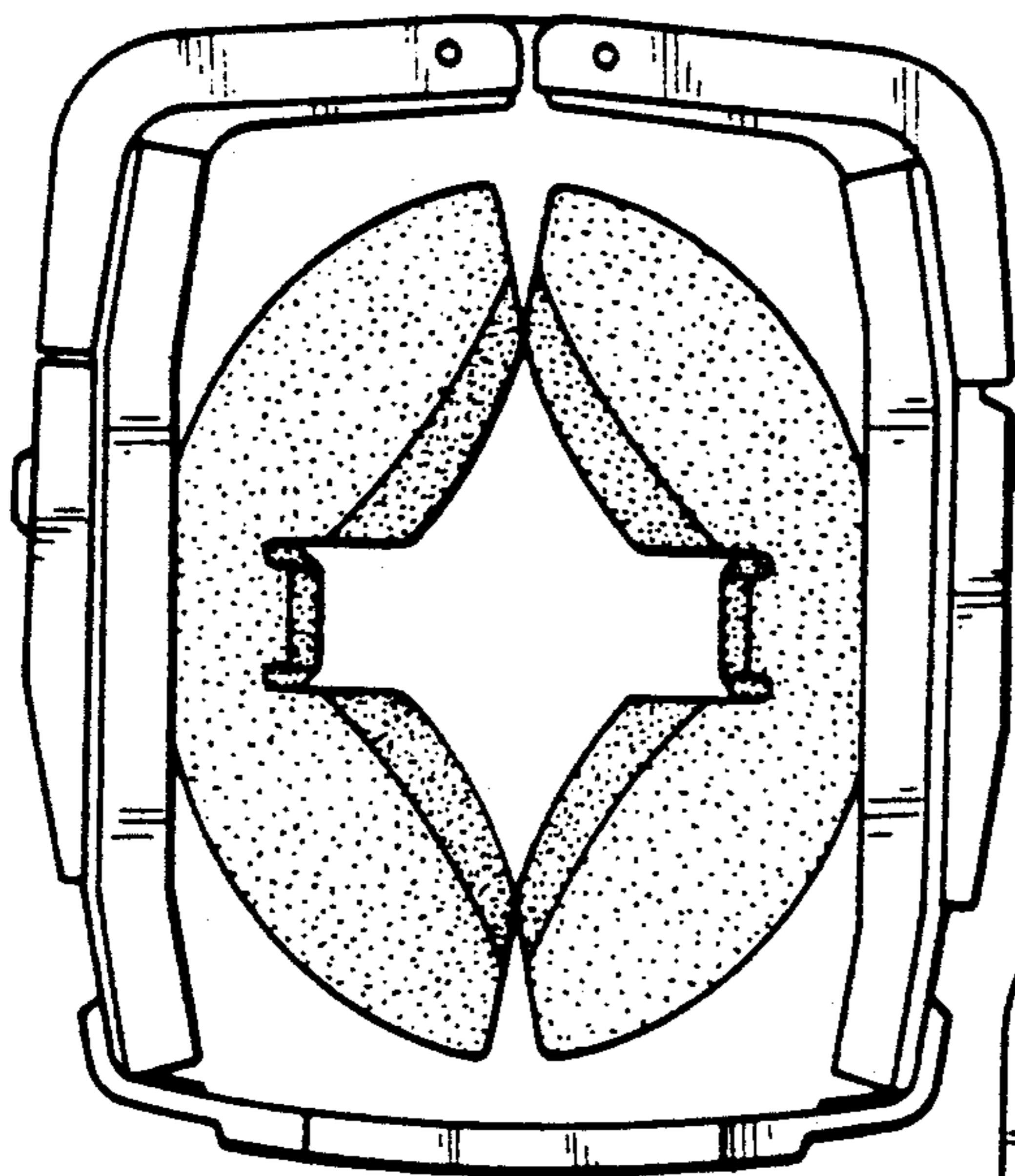


Fig-3

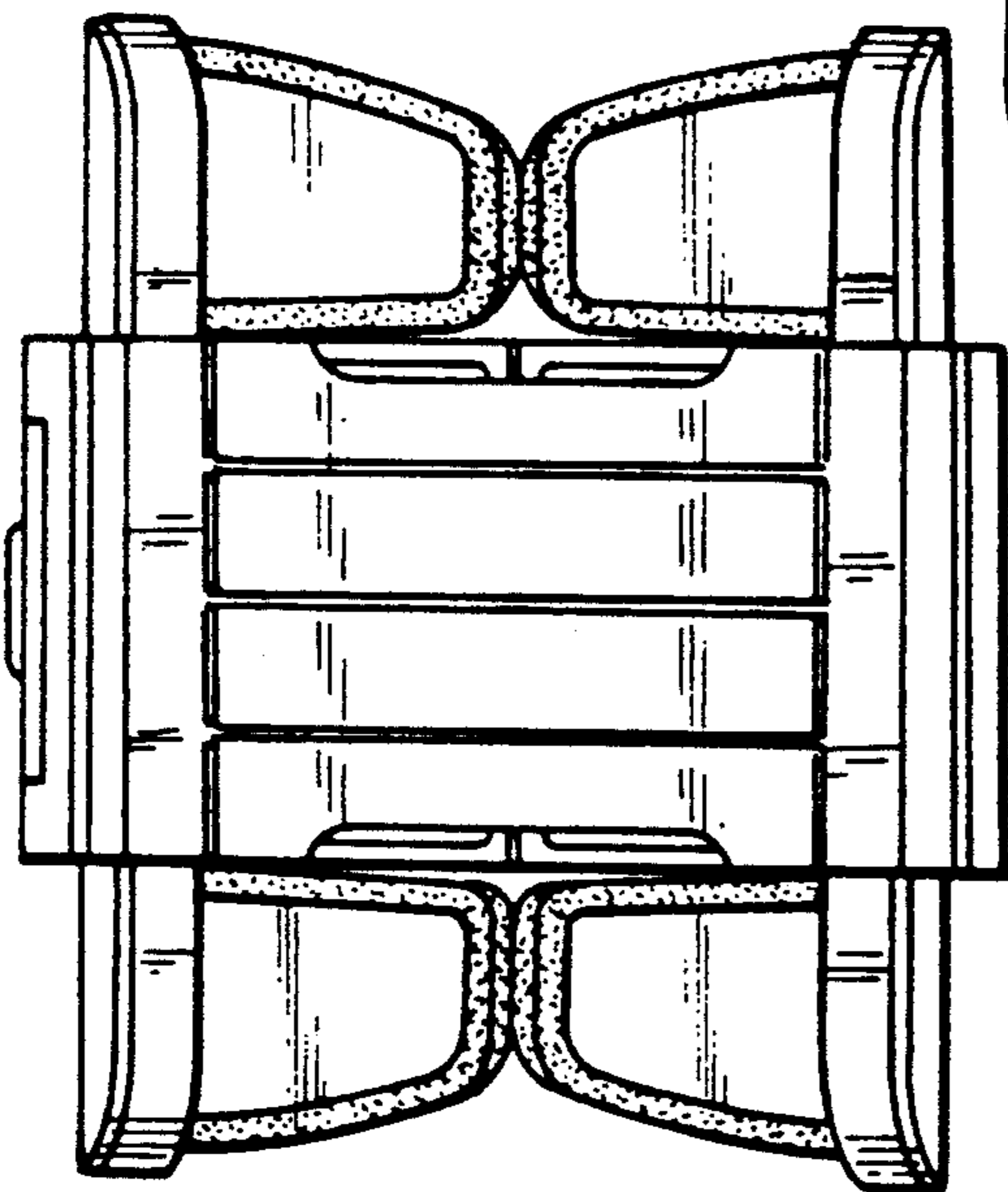


Fig-2

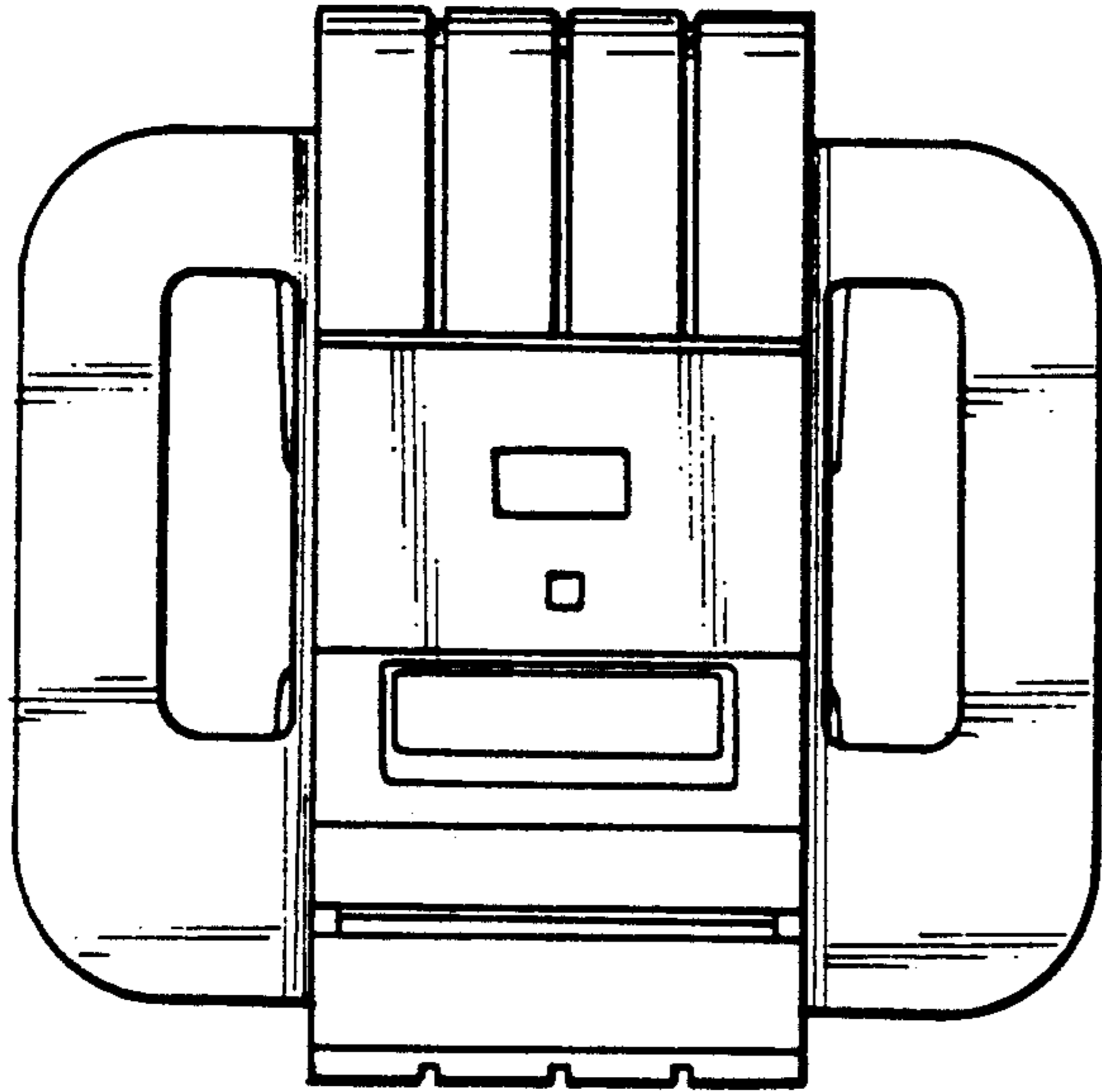


Fig-4

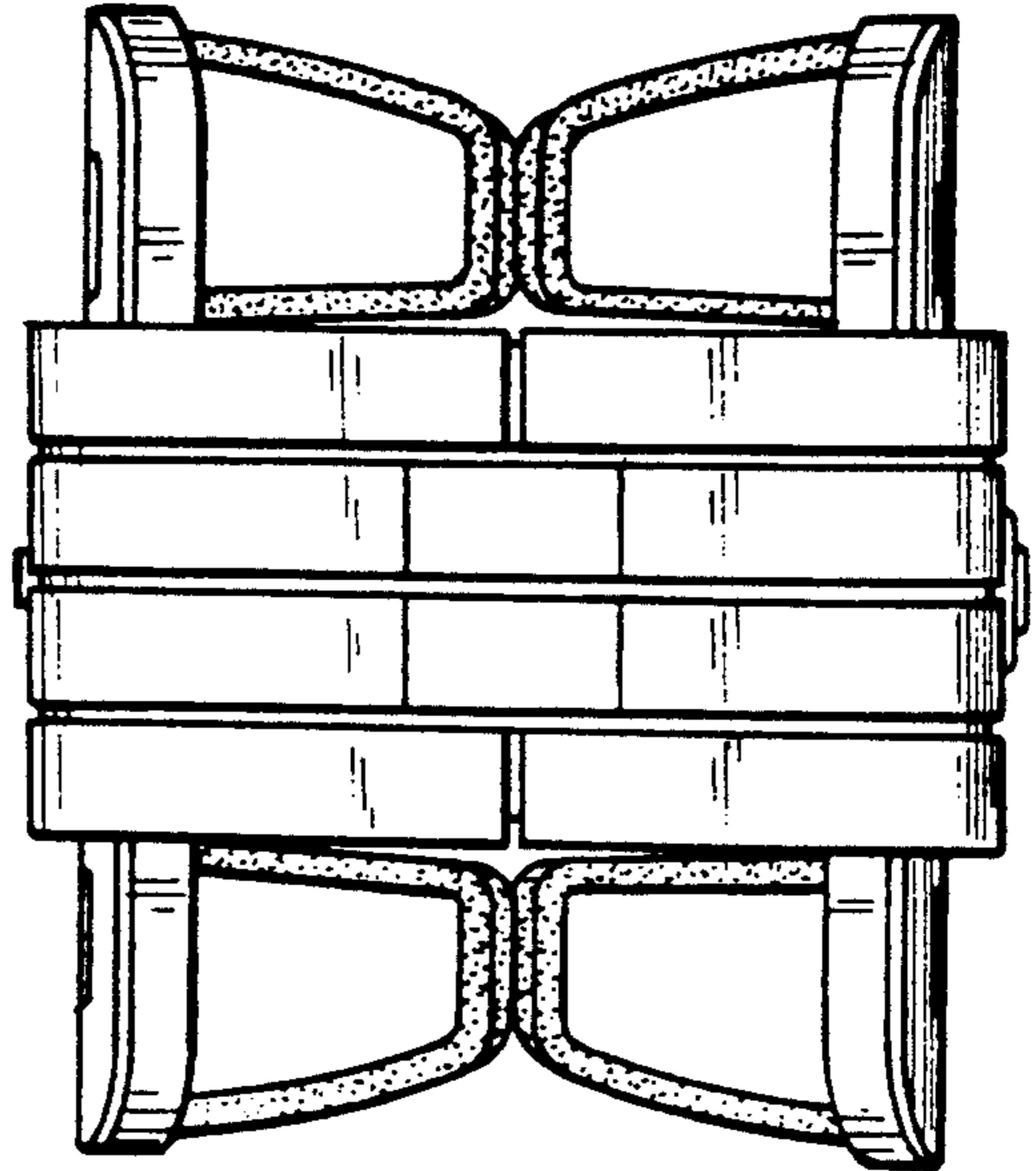


Fig-5

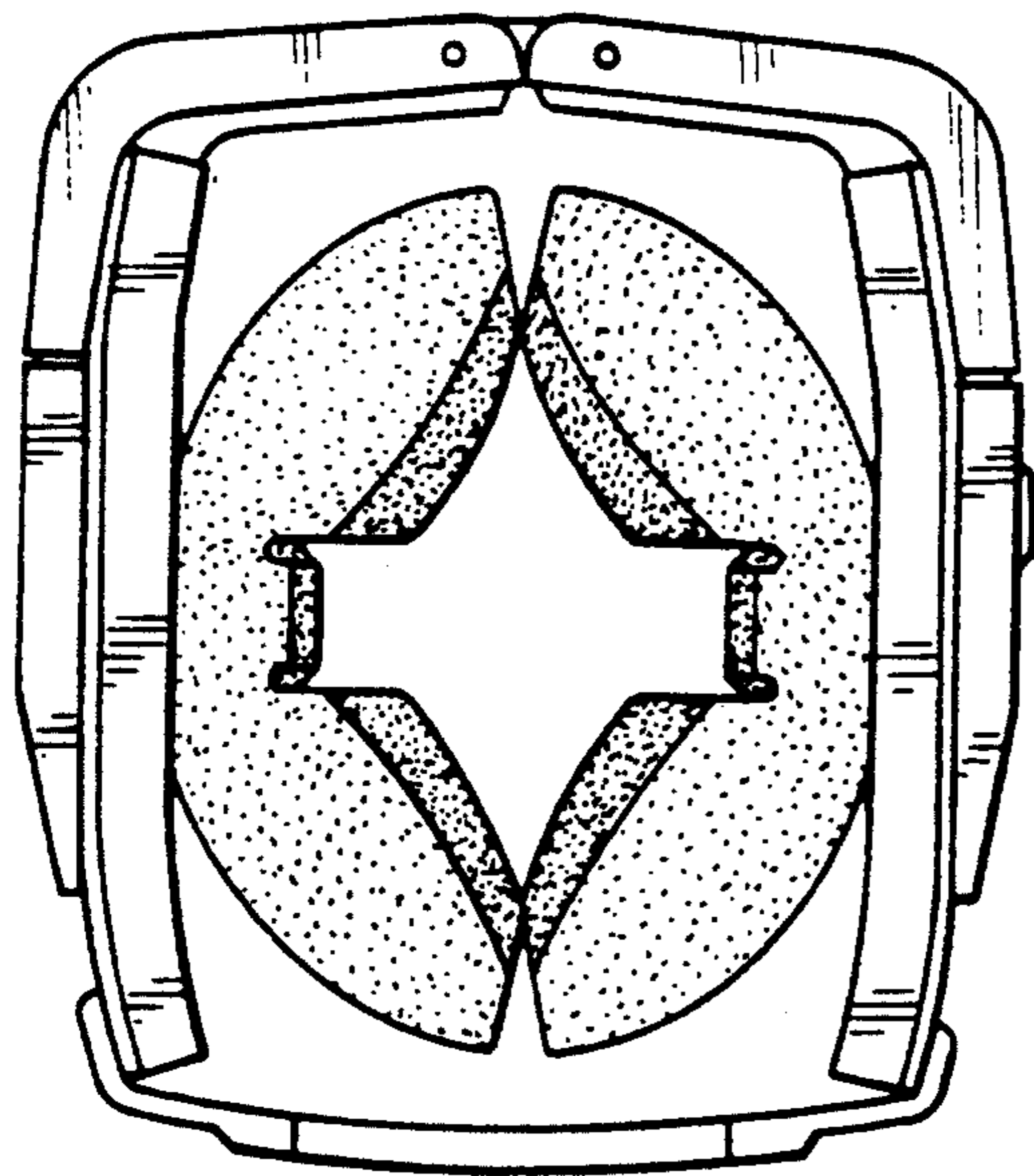


Fig-6

