



US00D345795S

United States Patent [19]

Green et al.

[11] Patent Number: **Des. 345,795**

[45] Date of Patent: **** Apr. 5, 1994**

[54] **AN ANVIL FOR A SURGICAL STAPLER**

[75] Inventors: **David T. Green, Westport; Henry Bolanos, East Norwalk; Robert J. Geiste, Milford, all of Conn.**

[73] Assignee: **United States Surgical Corporation**

[**] Term: **14 Years**

[21] Appl. No.: **769,064**

[22] Filed: **Sep. 27, 1991**

[52] U.S. Cl. **D24/145**

[58] Field of Search **D8/46; 227/19, 155, 227/156, 179, 175; 606/139, 142, 143, 151; D24/146, 145, 142, 147, 133**

[56] **References Cited**

U.S. PATENT DOCUMENTS

- D. 304,234 10/1989 Green et al. D24/145
- D. 331,971 12/1992 Main D24/145

4,198,982	4/1980	Fortner et al.	227/19 X
4,304,236	12/1981	Conta et al.	227/19 X
4,606,343	8/1986	Conta et al.	227/19 X
4,752,024	6/1988	Green et al.	227/19
4,903,697	2/1990	Resnick et al.	227/19 X

Primary Examiner—A. Hugo Word
Assistant Examiner—Ian Simmons

[57] CLAIM

The ornamental design for an anvil for a surgical stapler, as shown and described.

DESCRIPTION

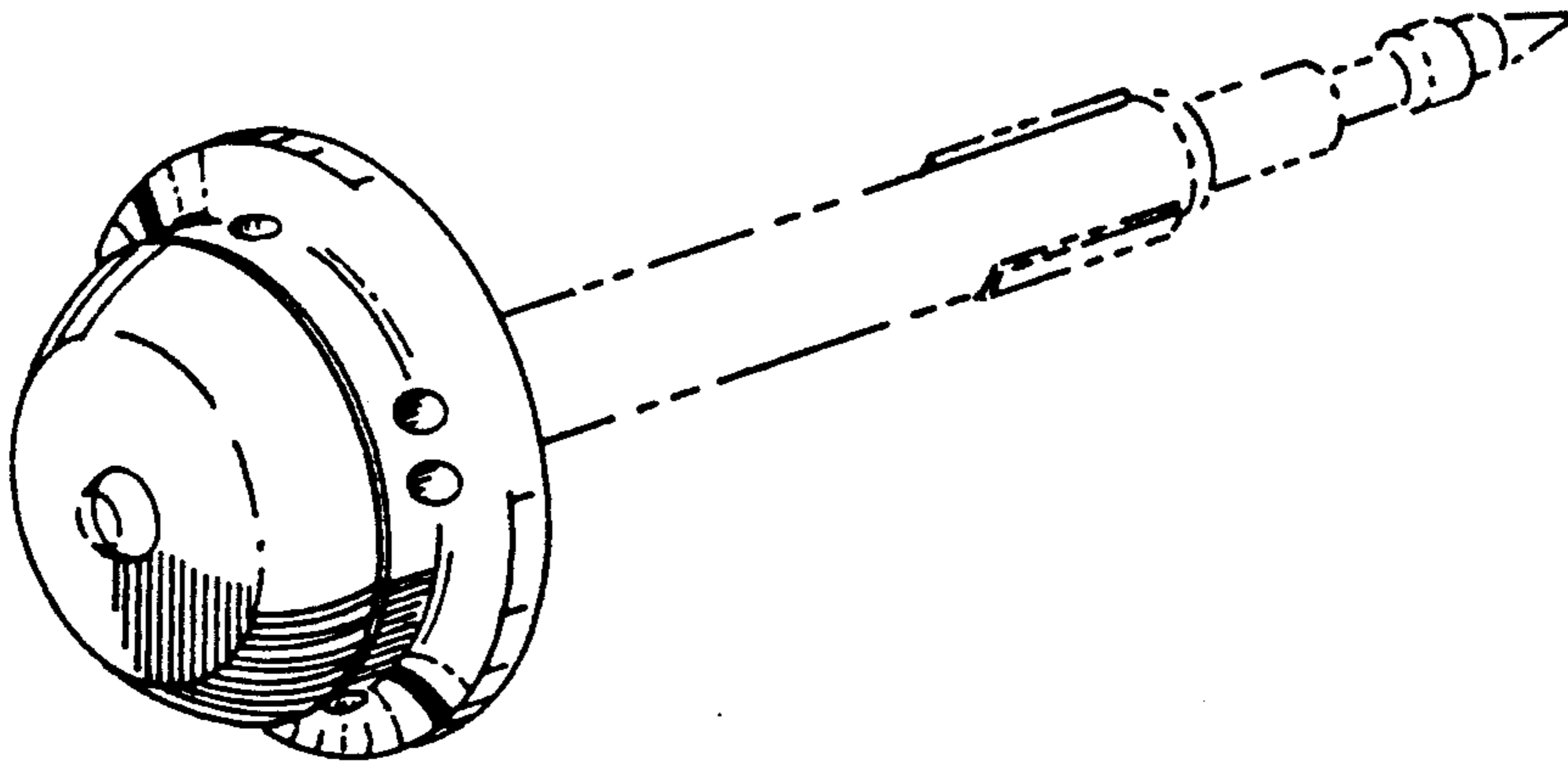
FIG. 1 is a perspective view of an anvil for a surgical stapler showing our new design, the broken line showing of the shaft is for illustrative purposes only and forms no part of the claimed design;

FIG. 2 is a top plan view thereof;

FIG. 3 is a left side elevational view thereof;

FIG. 4 is a right side elevational view thereof; and,

FIG. 5 is a bottom plan view thereof.



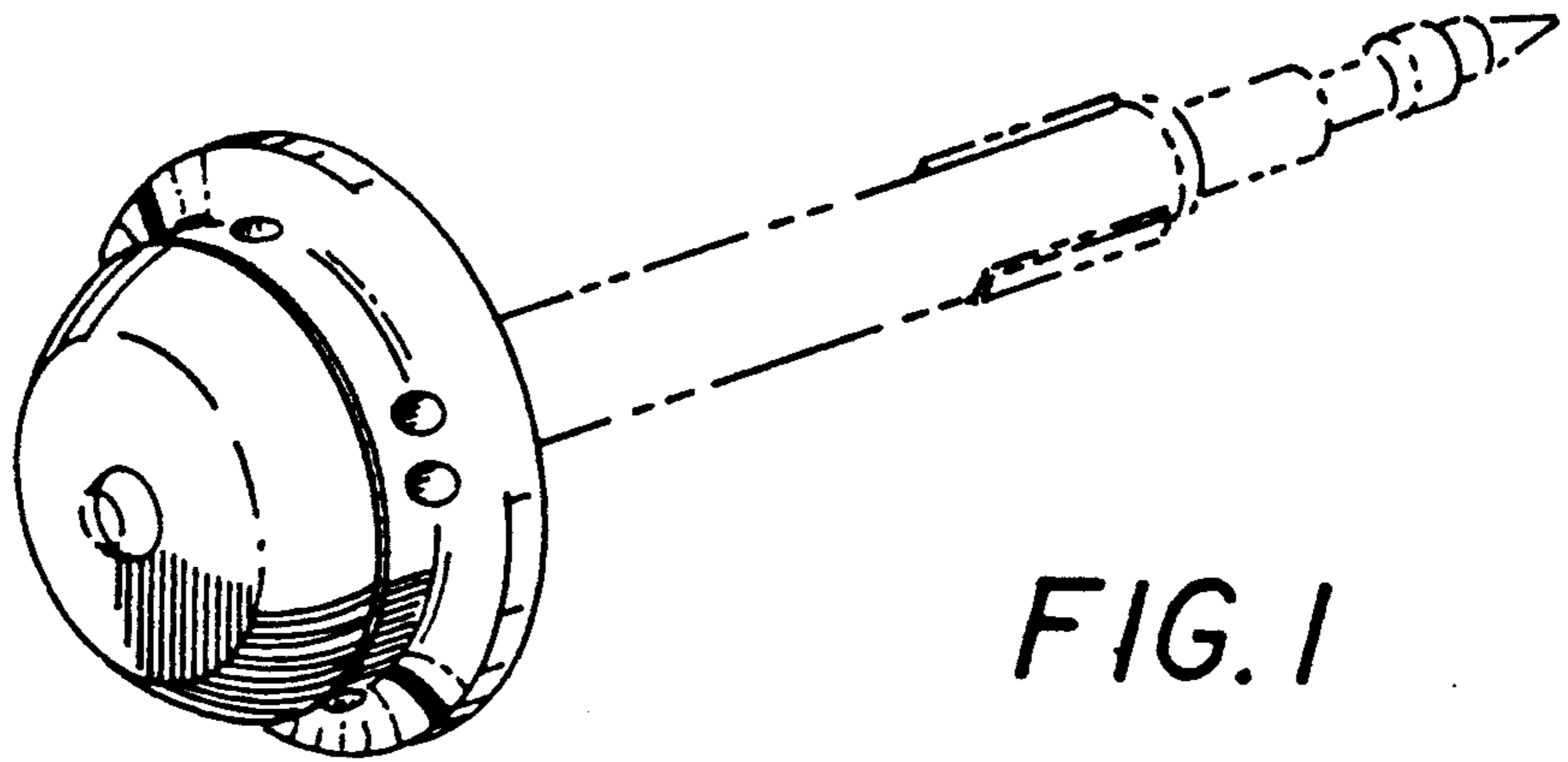


FIG. 1

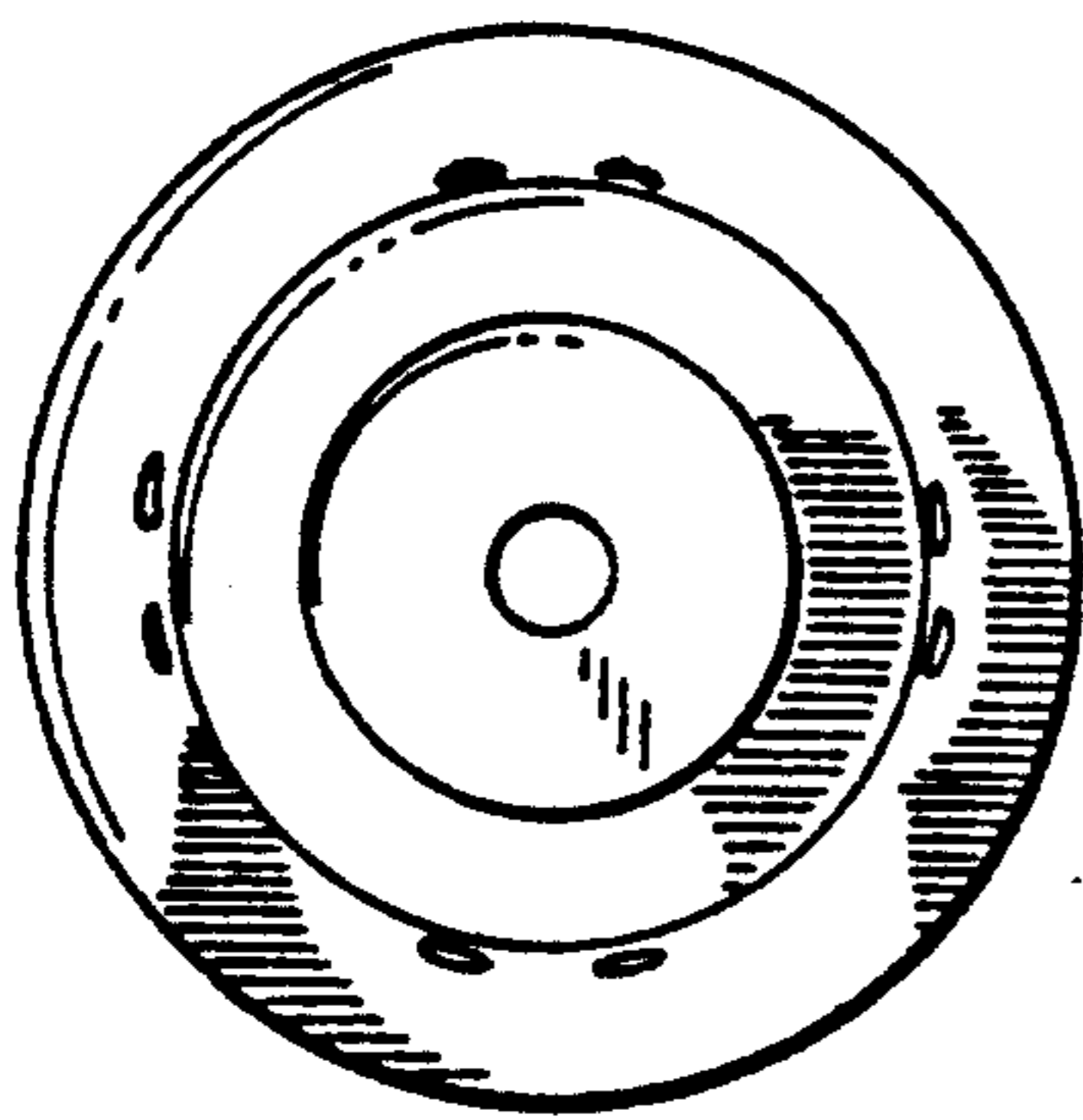


FIG. 2

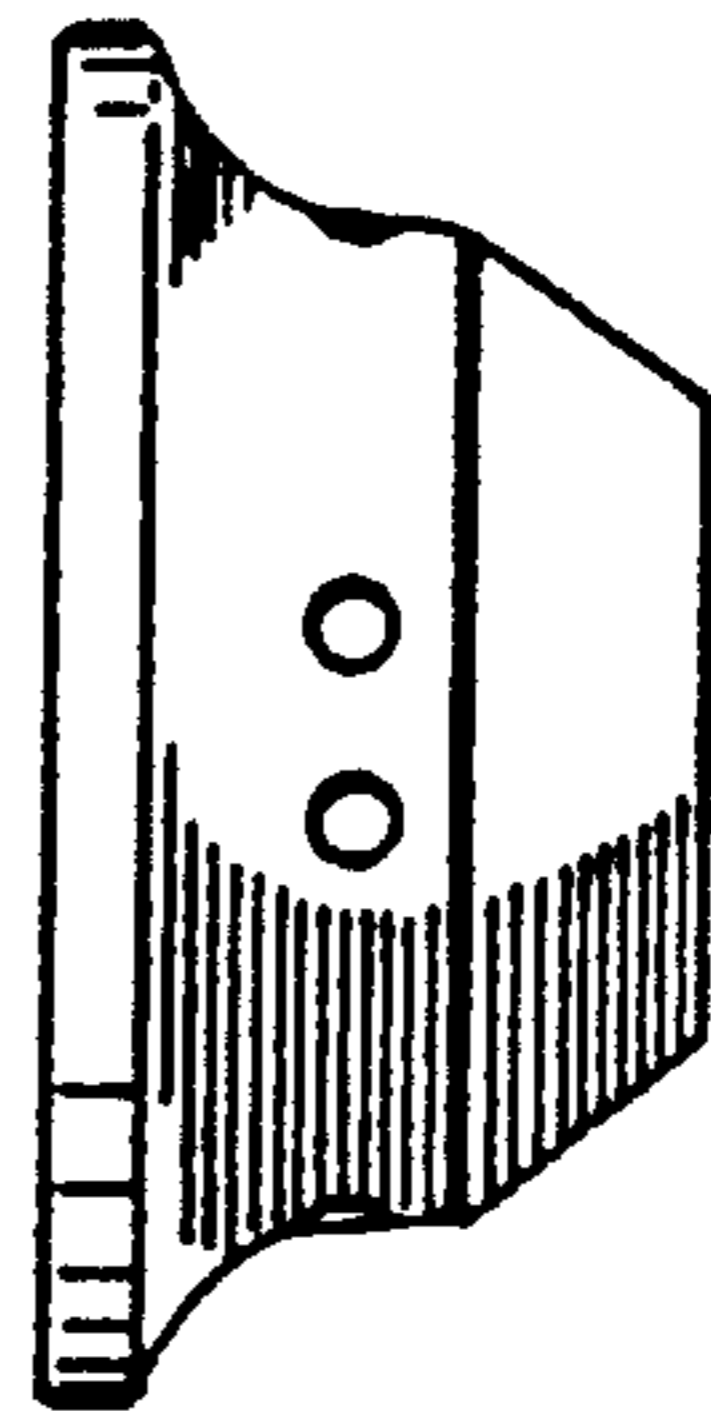


FIG. 3

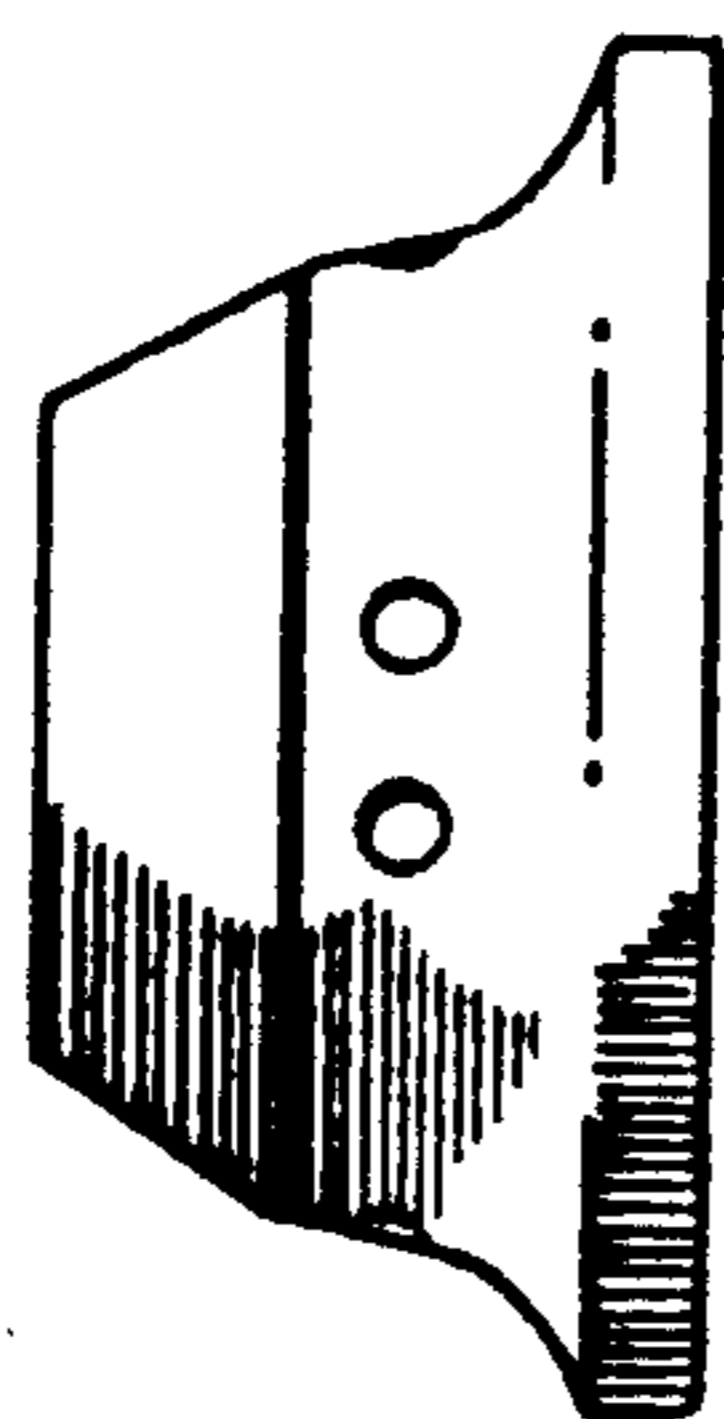


FIG. 4

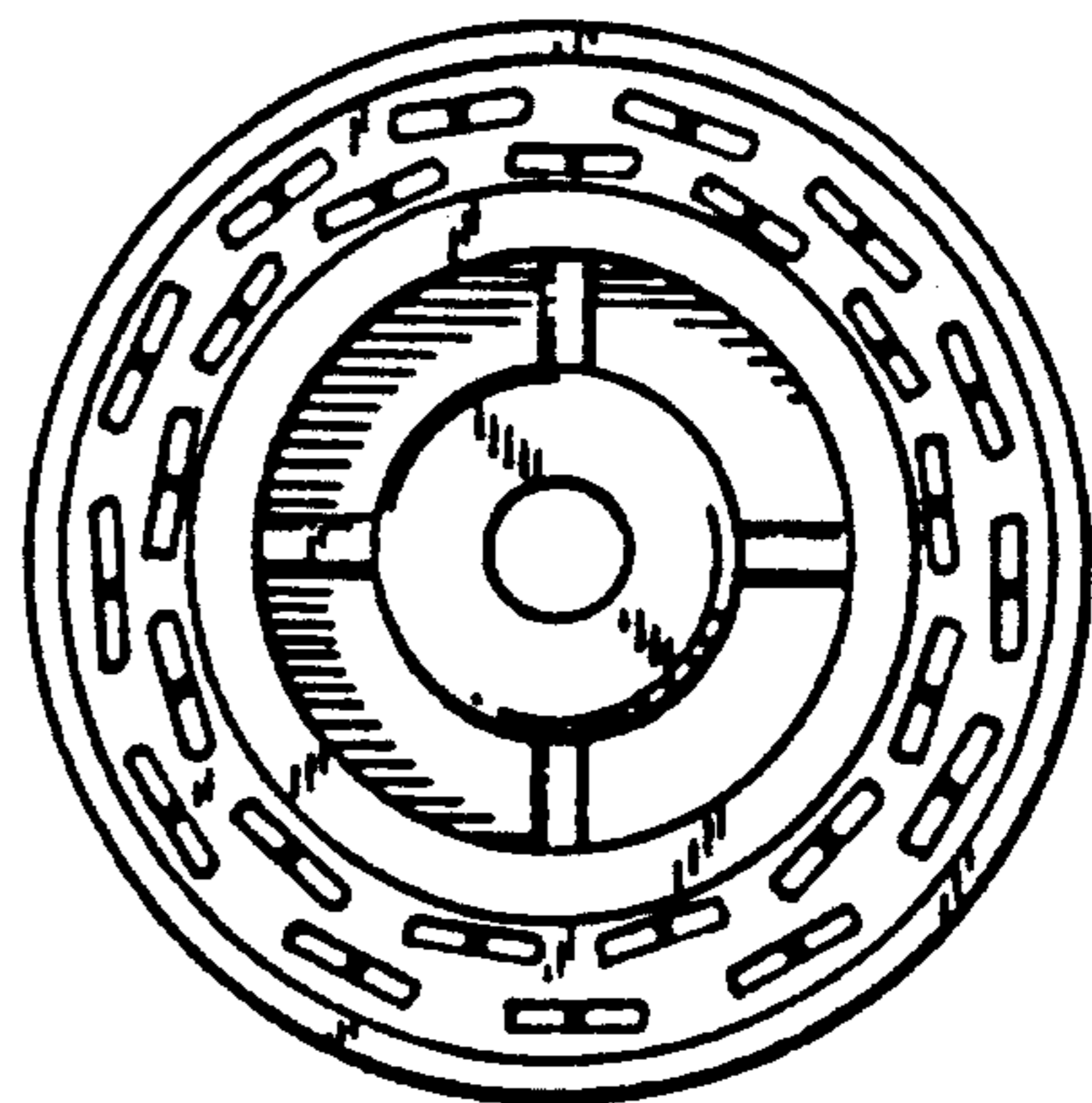


FIG. 5