



US00D345790S

**United States Patent** [19]  
**Caldwell**

[11] **Patent Number: Des. 345,790**  
[45] **Date of Patent: \*\* Apr. 5, 1994**

[54] **COMBINED CEILING FAN WITH  
V-SHAPED BLADE AND ILLUMINABLE  
ATTACHMENT**

[76] **Inventor: John Caldwell, 901 El Centro St.,  
South Pasadena, Calif. 91030**

[\*\*] **Term: 14 Years**

[21] **Appl. No.: 3,450**

[22] **Filed: Jan. 7, 1993**

[52] **U.S. Cl. .... D23/377; D23/379;  
D23/385; D23/413; D26/84**

[58] **Field of Search ..... 392/364; 362/96, 363;  
416/5; D23/377, 379, 385, 411, 413;  
D26/81-86, 88, 59, 51, 72**

[56] **References Cited**

**U.S. PATENT DOCUMENTS**

D. 298,454 11/1988 Clyde-Mason ..... D23/377  
D. 314,618 2/1991 Yen ..... D23/377

**OTHER PUBLICATIONS**

Mass Manufacturing, Inc. Brochure, p. 2, Ceiling Fan,  
right side of page.

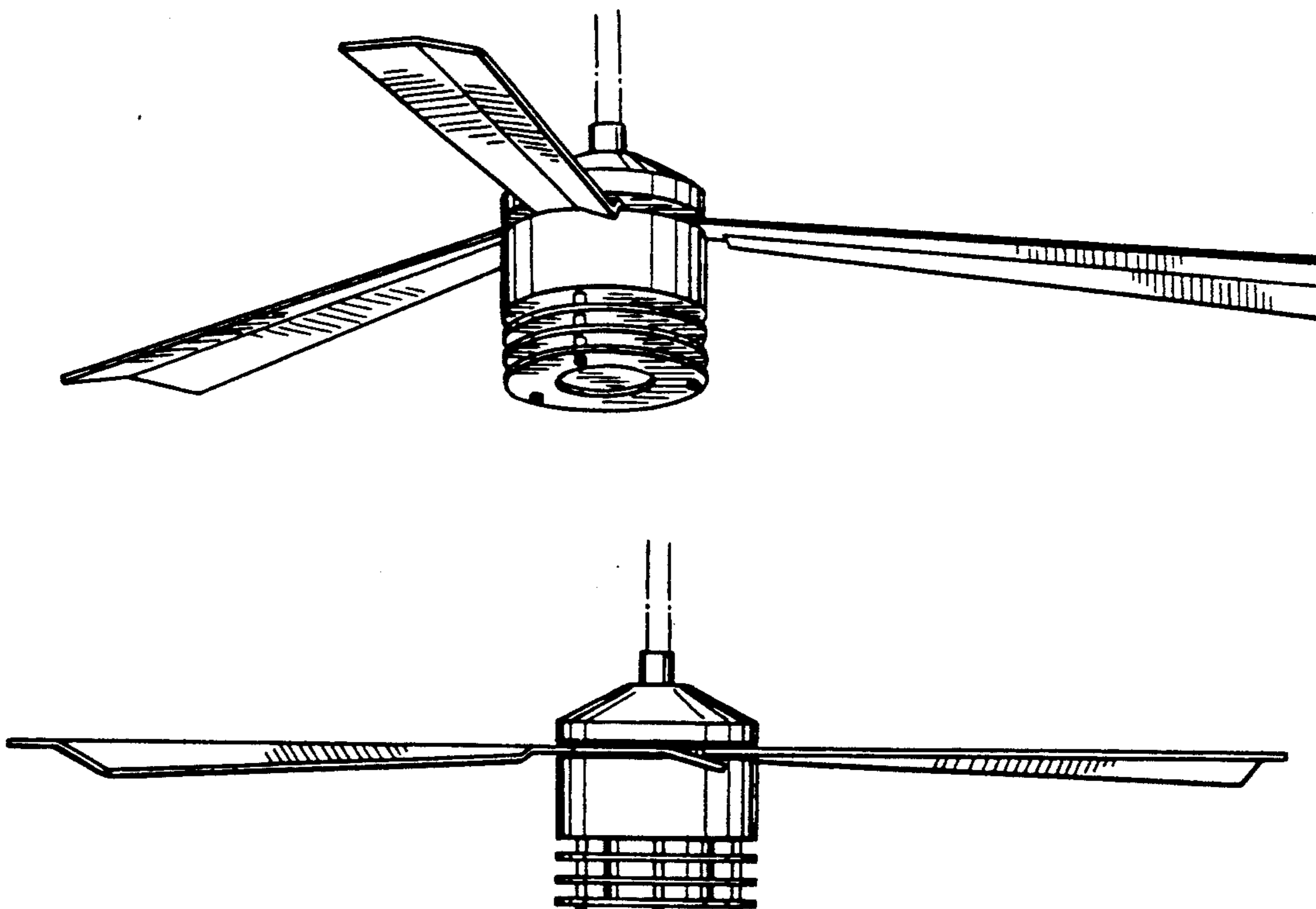
*Primary Examiner*—Wallace R. Burke  
*Assistant Examiner*—Lisa Lichtenstein  
*Attorney, Agent, or Firm*—Brown, Martin Haller &  
McClain

[57] **CLAIM**

The ornamental design for a combined ceiling fan with  
v-shaped blade and illuminable attachment, as shown  
and described.

**DESCRIPTION**

FIG. 1 is a perspective view of a combined ceiling fan  
with v-shaped blade and illuminable attachment show-  
ing my new design;  
FIG. 2 is a bottom plan view thereof;  
FIG. 3 is a side elevational view thereof;  
FIG. 4 is a side elevational view from the opposite side  
thereof; and,  
FIG. 5 is a to plan view thereof.  
The broken-line showing of a support rod in FIGS. 1, 3  
and 4 is for illustrative purposes only, and forms no part  
of the claimed design.



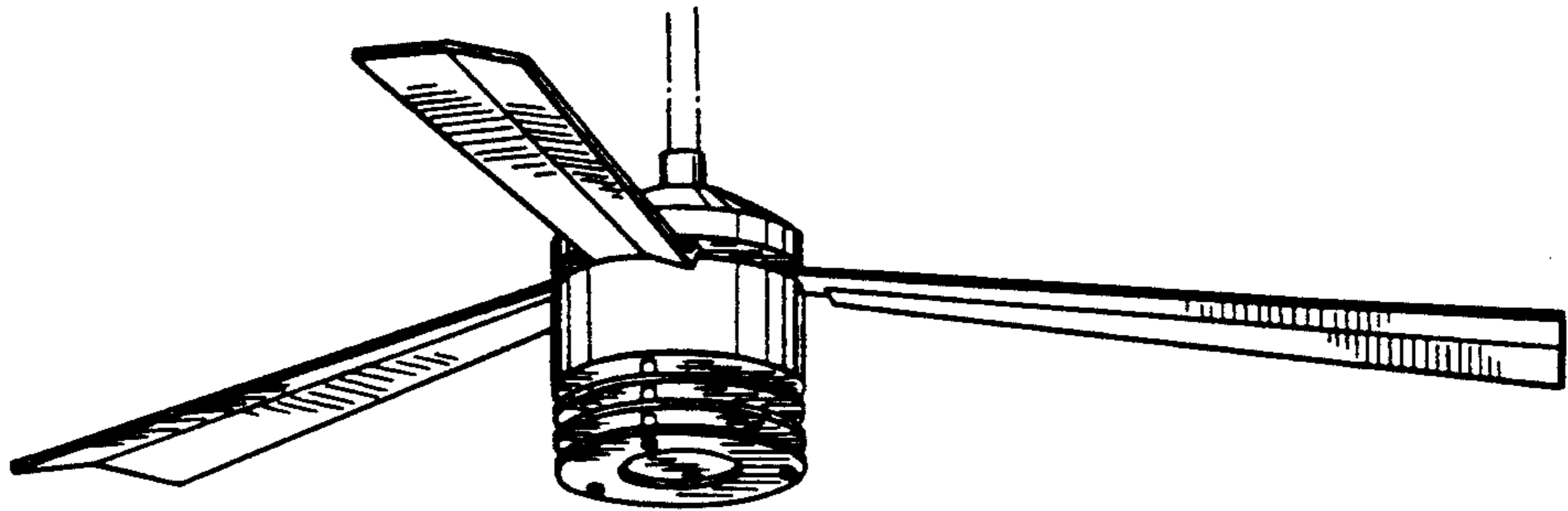


FIG. 1

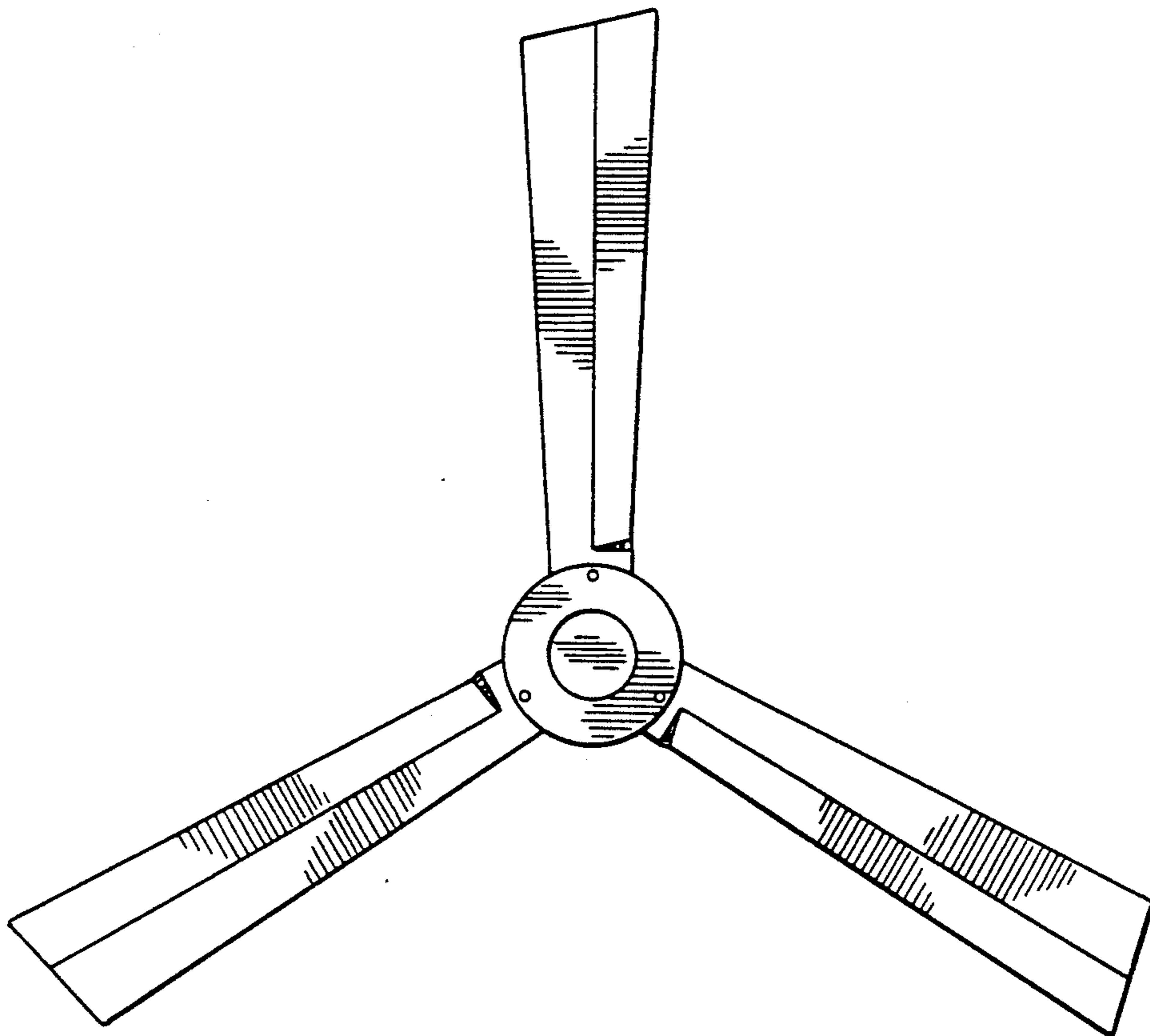


FIG. 2

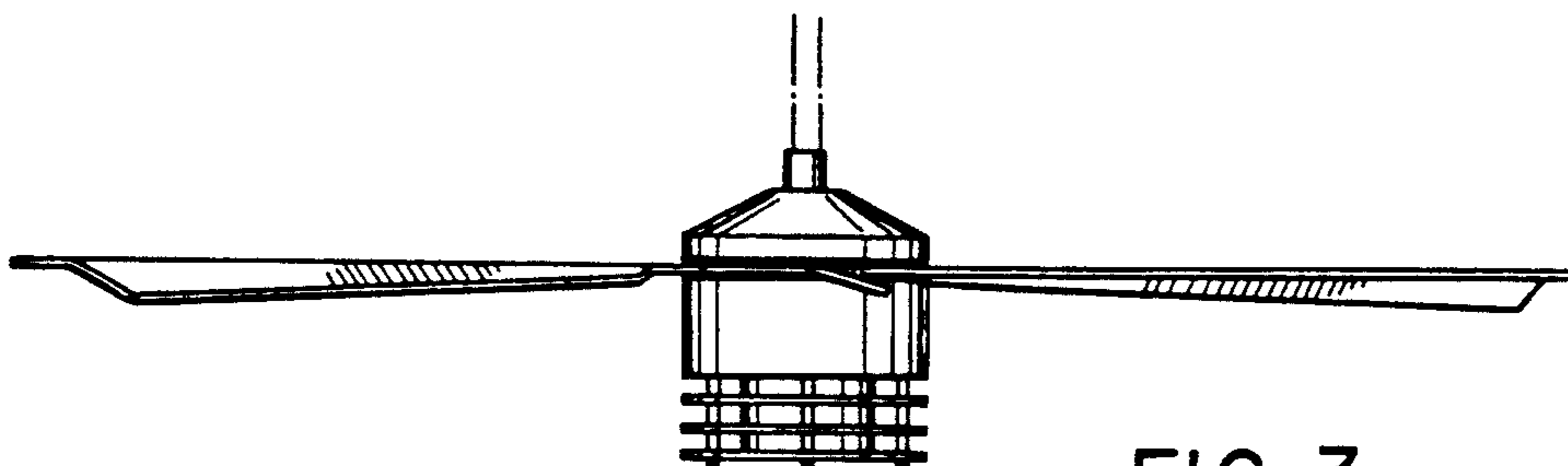


FIG. 3

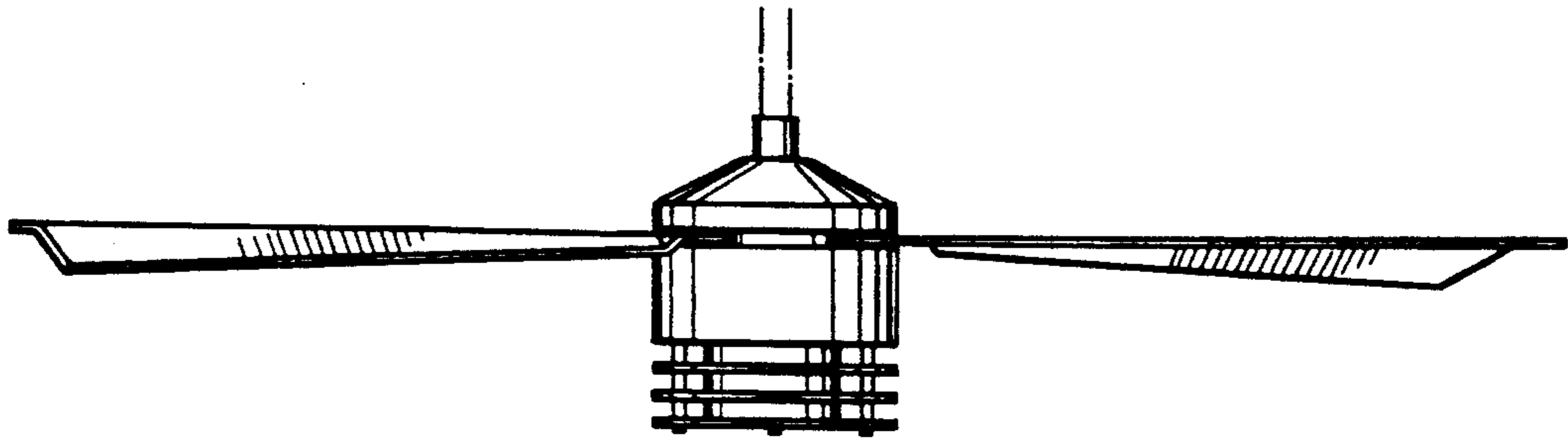


FIG. 4

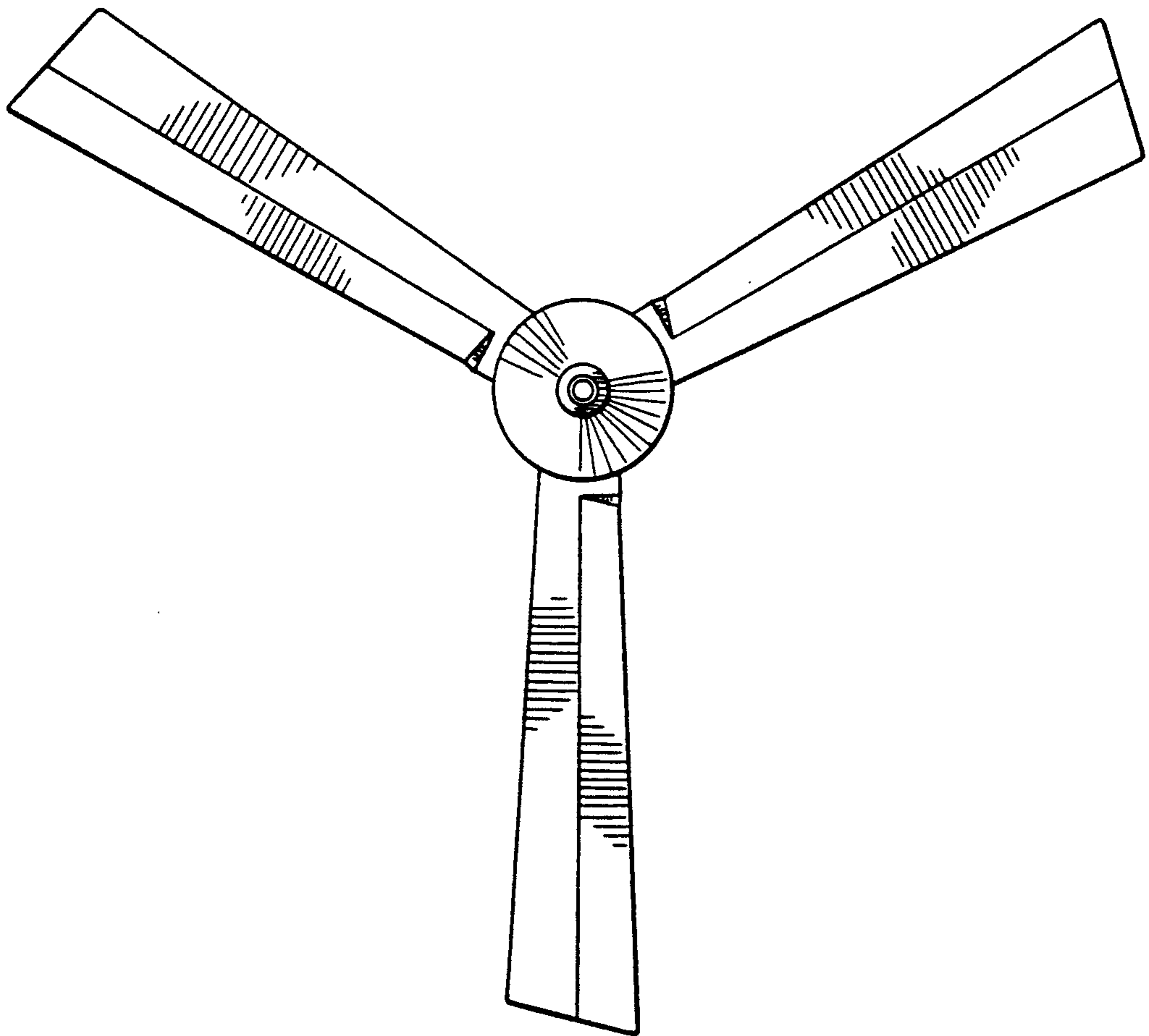


FIG. 5