



US00D345785S

United States Patent [19]

[11] Patent Number: **Des. 345,785**

Saito et al.

[45] Date of Patent: **** Apr. 5, 1994**

[54] AIR CONDITIONER

[56] **References Cited**

[75] Inventors: **Takeshi Saito; Nobuo Hata; Miyoshi Miwa; Eiji Horino**, all of Kamakura, Japan

U.S. PATENT DOCUMENTS

4,458,502 7/1984 Adachi et al. 62/263

FOREIGN PATENT DOCUMENTS

35872 3/1980 Japan 62/DIG. 16

255756 11/1987 Japan 454/233

[73] Assignee: **Mitsubishi Denki Kabushiki Kaisha**, Tokyo, Japan

Primary Examiner—Wallace R. Burke
Assistant Examiner—Lisa Lichtenstein
Attorney, Agent, or Firm—Oblon, Spivak, McClelland, Maier & Neustadt

[**] Term: **14 Years**

[57] **CLAIM**

[21] Appl. No.: **880,986**

The ornamental design for an air conditioner, as shown.

[22] Filed: **May 11, 1992**

DESCRIPTION

[30] **Foreign Application Priority Data**

Nov. 27, 1991 [JP] Japan 3-35722

[52] U.S. Cl. **D23/351**

[58] Field of Search 454/233, 236;
62/DIG. 16; D23/351-354, 370, 371, 380, 385,
328

FIG. 1 is a front elevational view of an air conditioner, showing our new design;
FIG. 2 is a rear elevational view thereof;
FIG. 3 is a right side elevational view thereof;
FIG. 4 is a top plan view thereof;
FIG. 5 is a bottom plan view thereof;
FIG. 6 is a perspective view thereof; and,
FIG. 7 is a cross-sectional view thereof taken on line 7-7 of FIG. 1, wherein internal means are omitted.

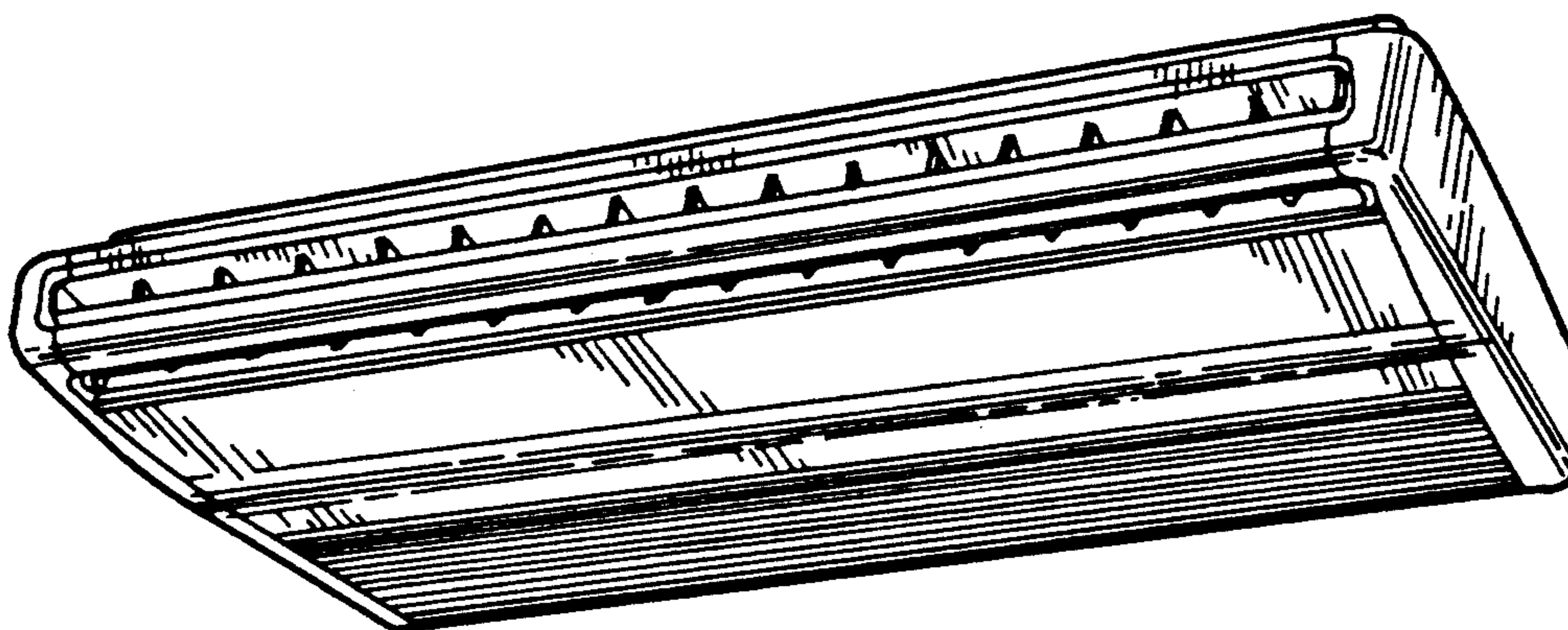
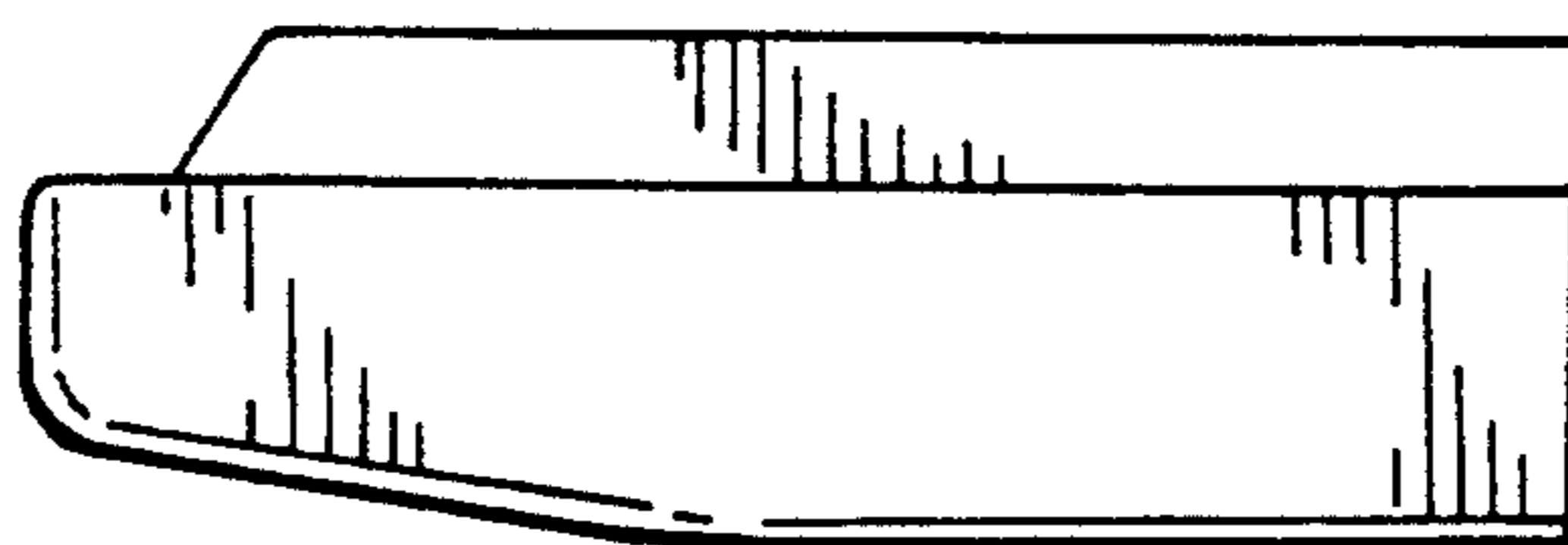


FIG. 1

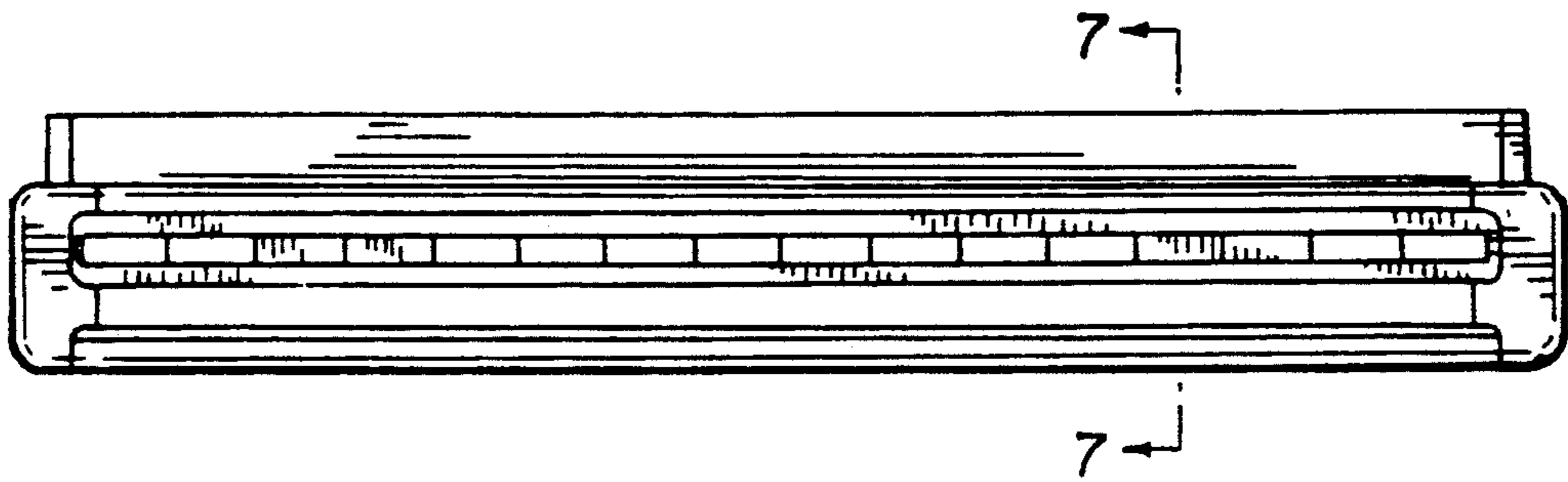


FIG. 4

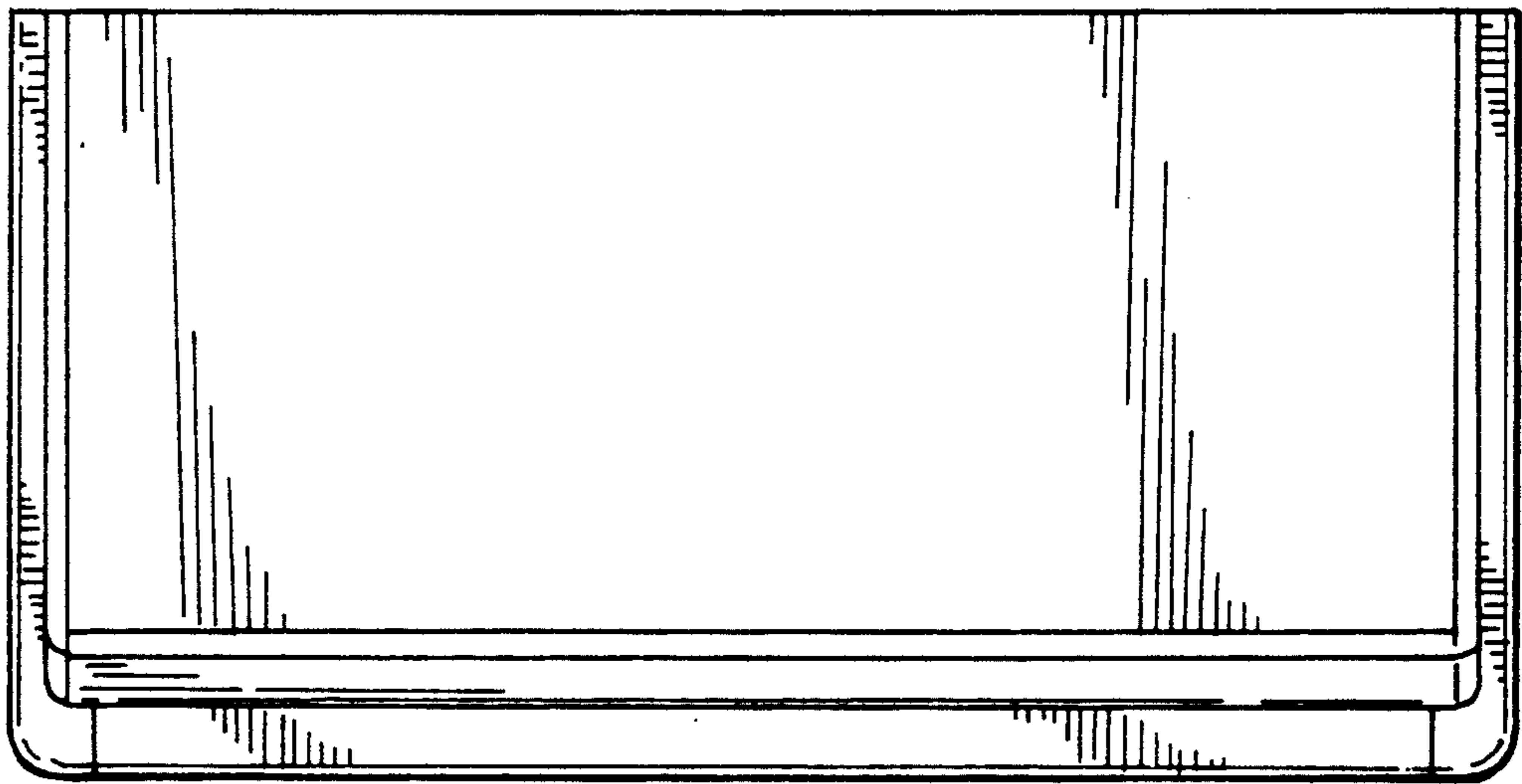


FIG. 2

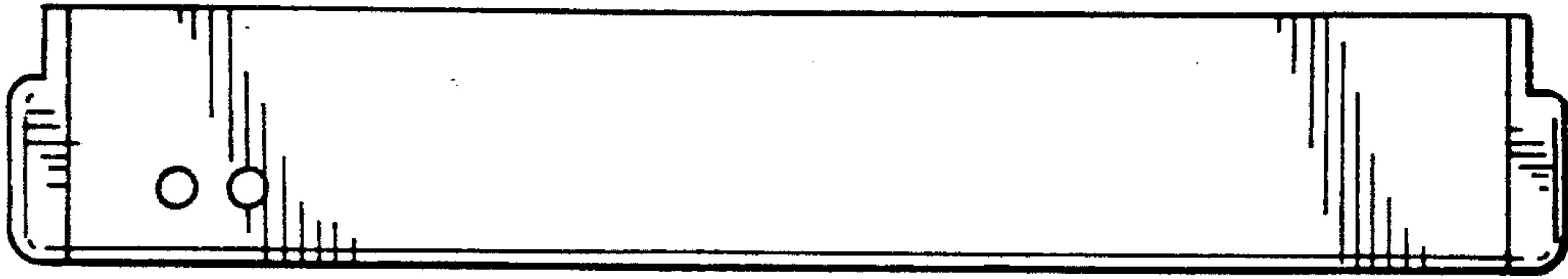


FIG. 5

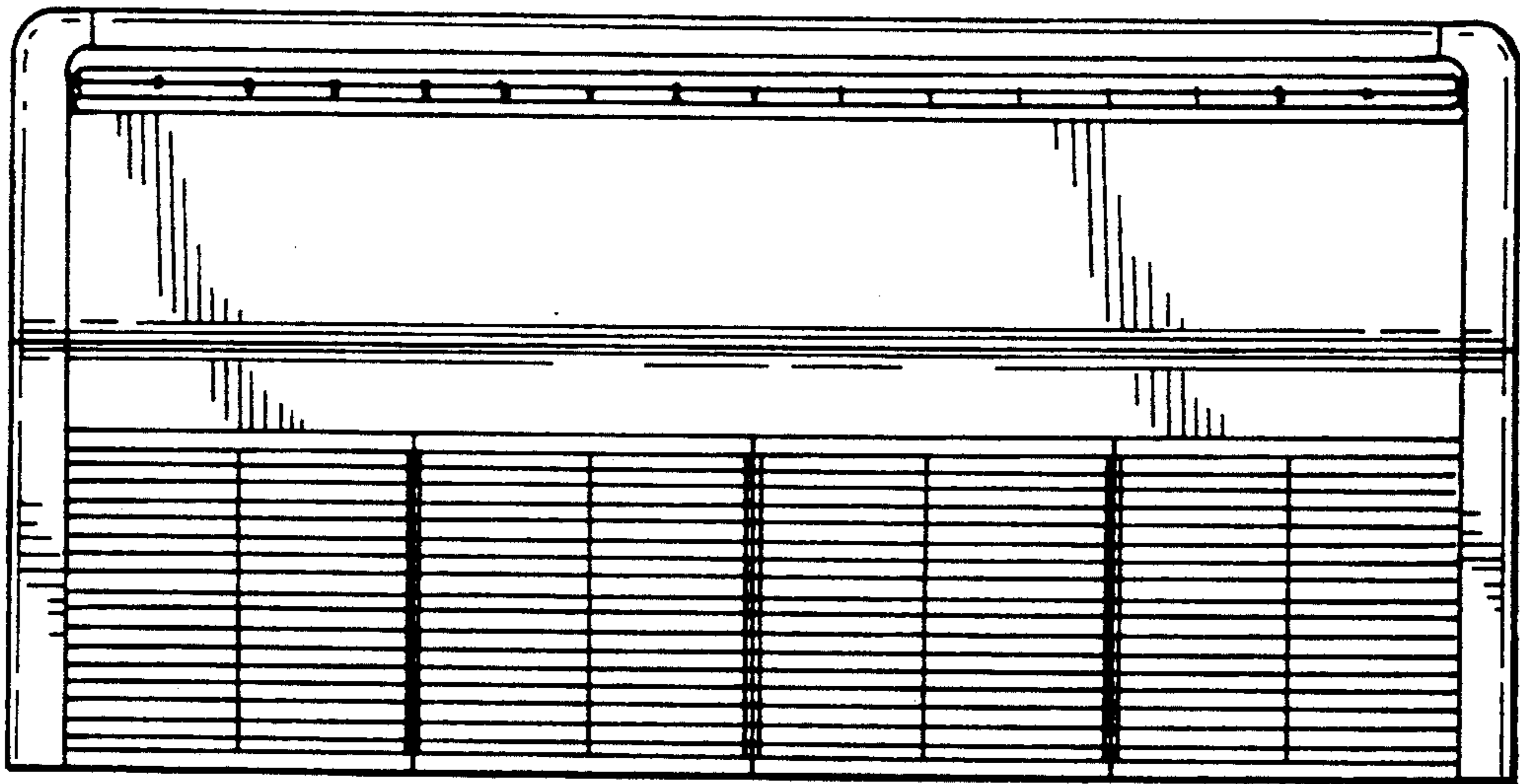


FIG. 3

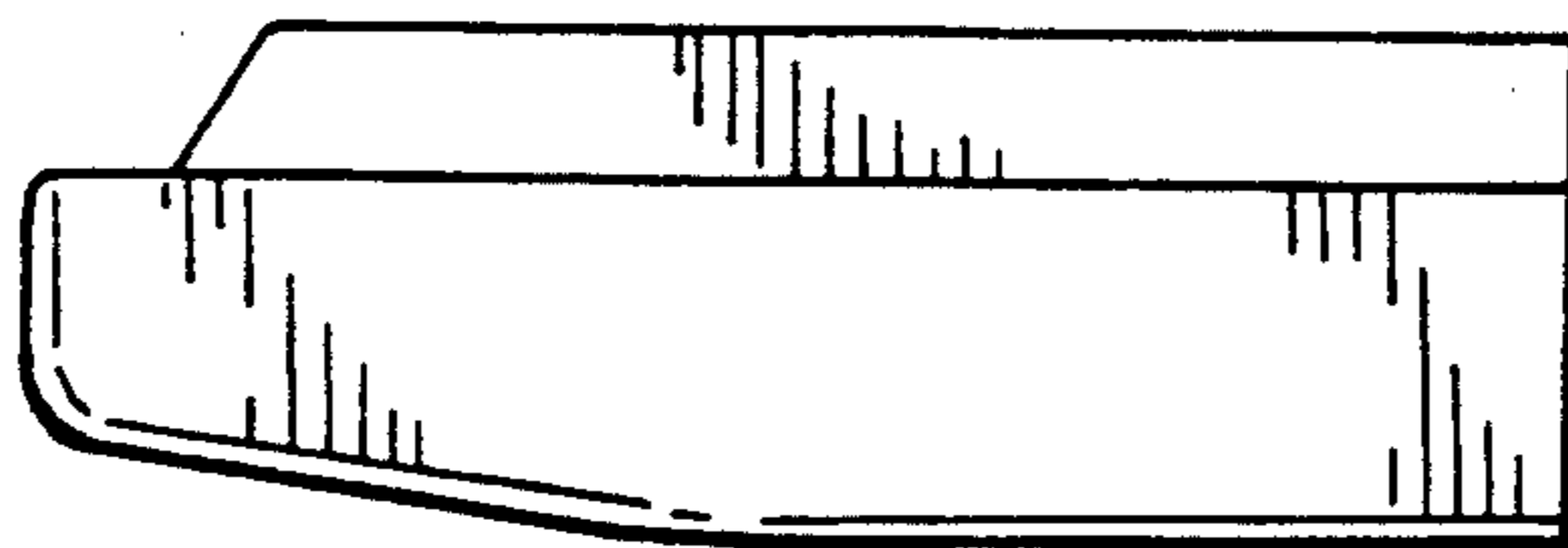


FIG. 6

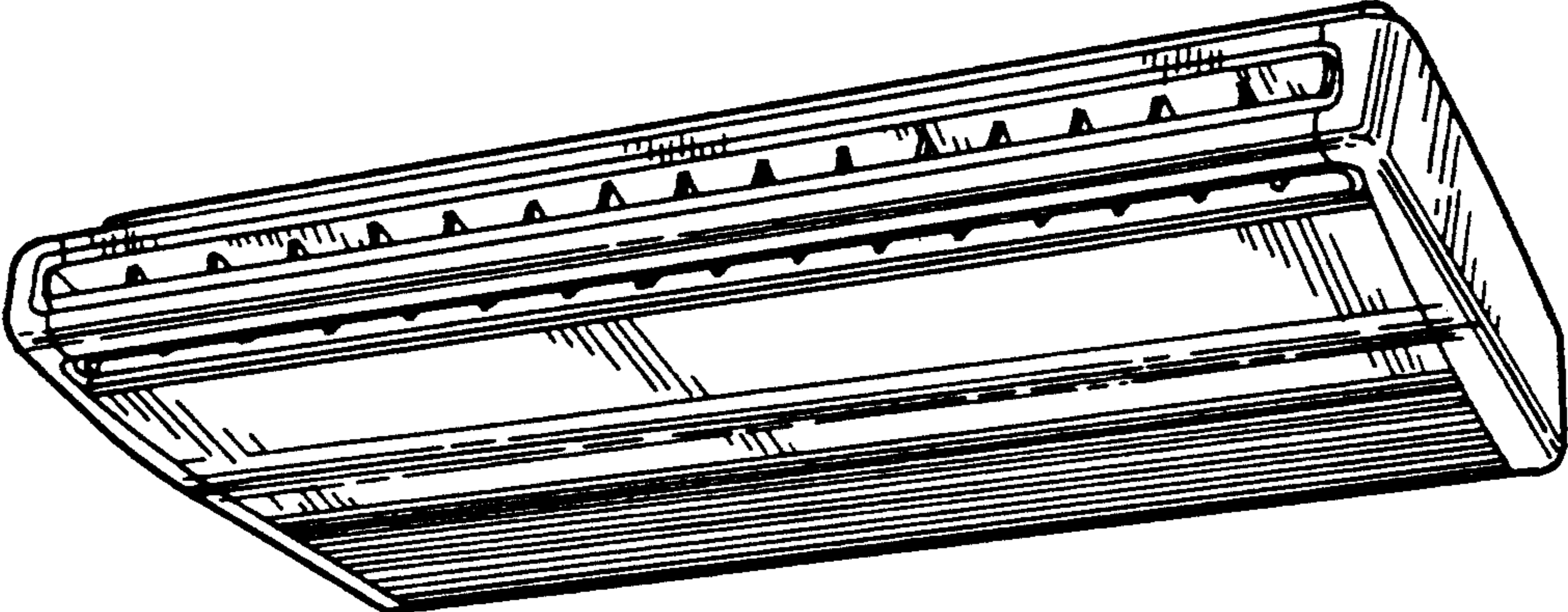


FIG. 7

