



US00D345775S

United States Patent [19]

[11] Patent Number: **Des. 345,775**

Poincenot et al.

[45] Date of Patent: **** Apr. 5, 1994**

[54] GOLF CLUB HEAD

[56] **References Cited
PUBLICATIONS**

[75] Inventors: **Lionel Poincenot**, Vista; **Bob Vokey**, Carlsbad, both of Calif.; **Harry Taylor**, Old Hickory, Tenn.

Shakespeare 1971 Golf Equip., Brochure, front cover, Irons.
Golf World, Dec. 20, 1985, p. 29, Iron.

[73] Assignee: **Taylor Made Golf Company**, Carlsbad, Calif.

Primary Examiner—Melvin B. Feifer
Attorney, Agent, or Firm—Pollock, Vande Sande & Priddy

[**] Term: **14 Years**

[57] **CLAIM**

The ornamental design for golf club head, as shown and described.

[21] Appl. No.: **605,478**

DESCRIPTION

[22] Filed: **Oct. 30, 1990**

FIG. 1 is a rear elevation of a golf club head showing our new design;

[52] U.S. Cl. **D21/220**

FIG. 2 is a front elevation thereof;

[58] Field of Search **273/167-175;**

FIG. 3 is a bottom plan view thereof;

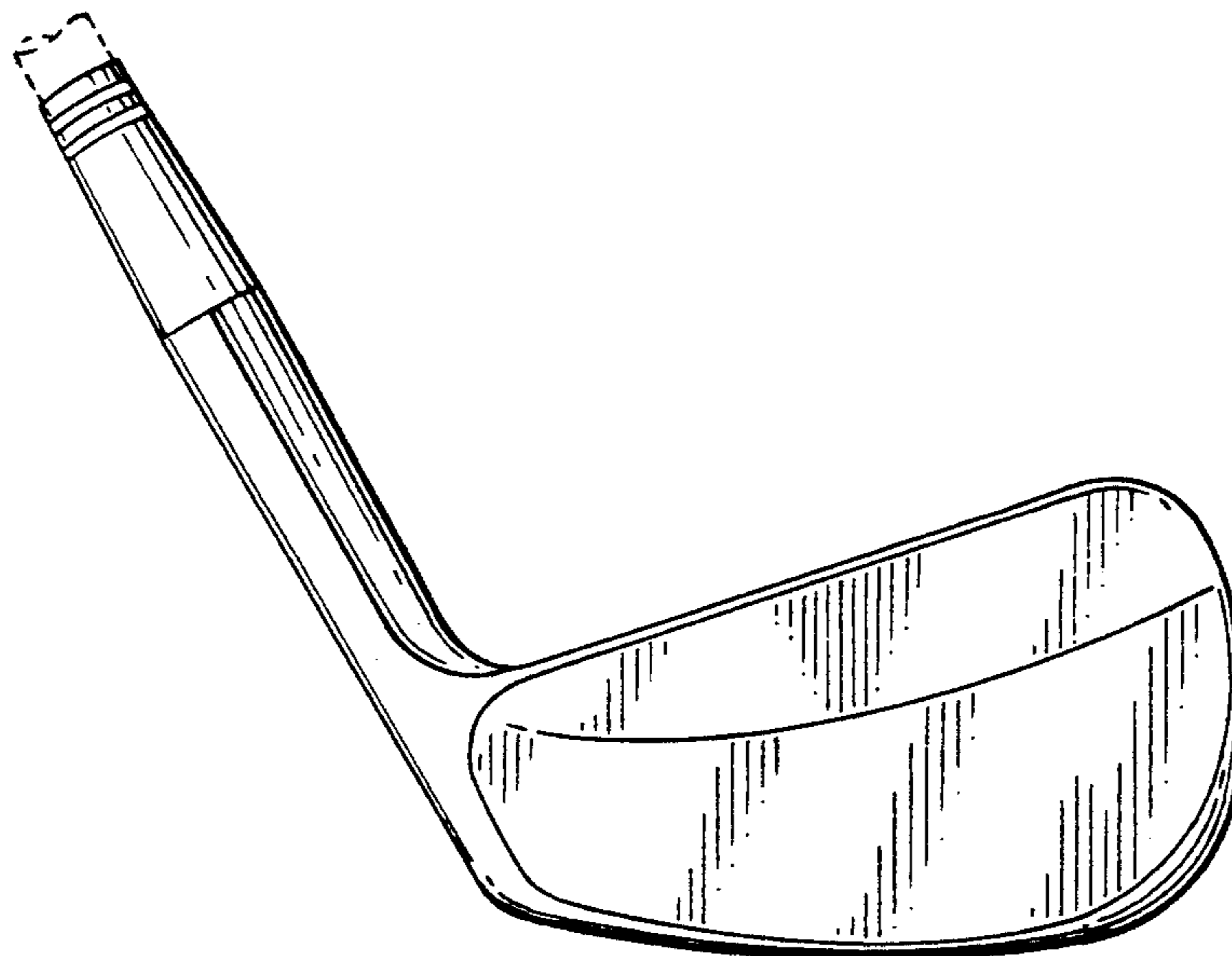
D21/220

FIG. 4 is a top plan view thereof;

FIG. 5 is a reduced toe end view thereof;

FIG. 6 is a heel end view thereof; and,

FIG. 7 is a perspective view thereof.



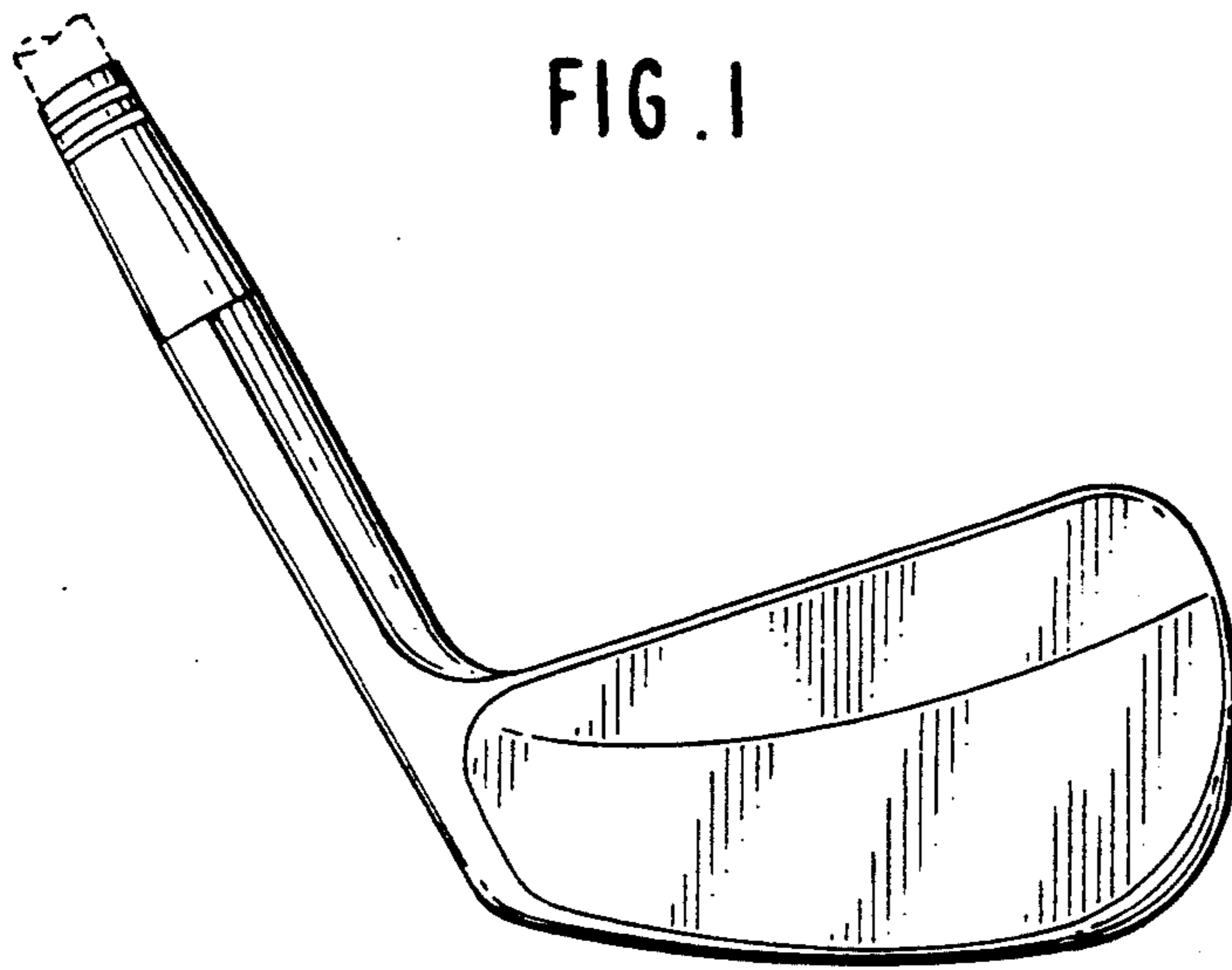


FIG. 1



FIG. 3

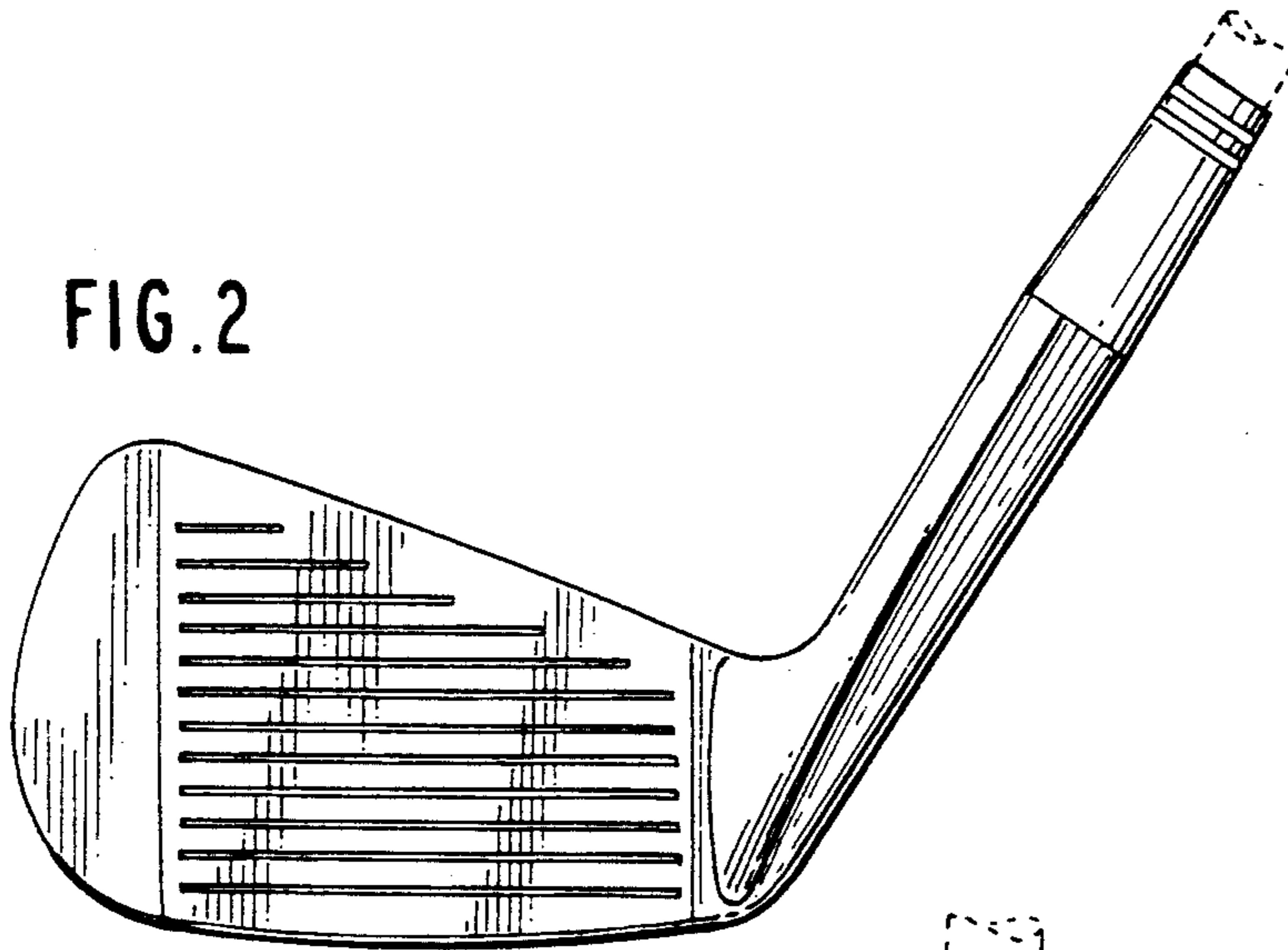


FIG. 2

FIG. 4

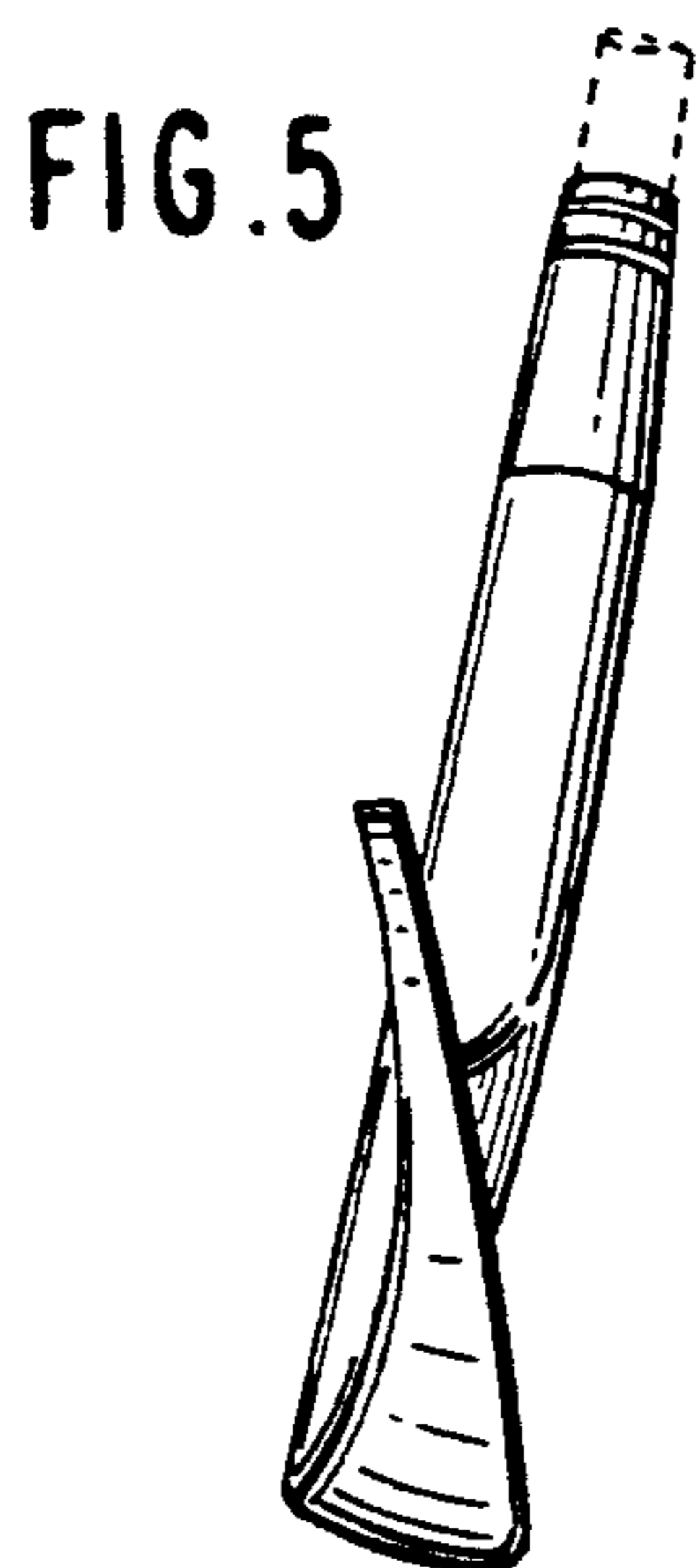


FIG. 5

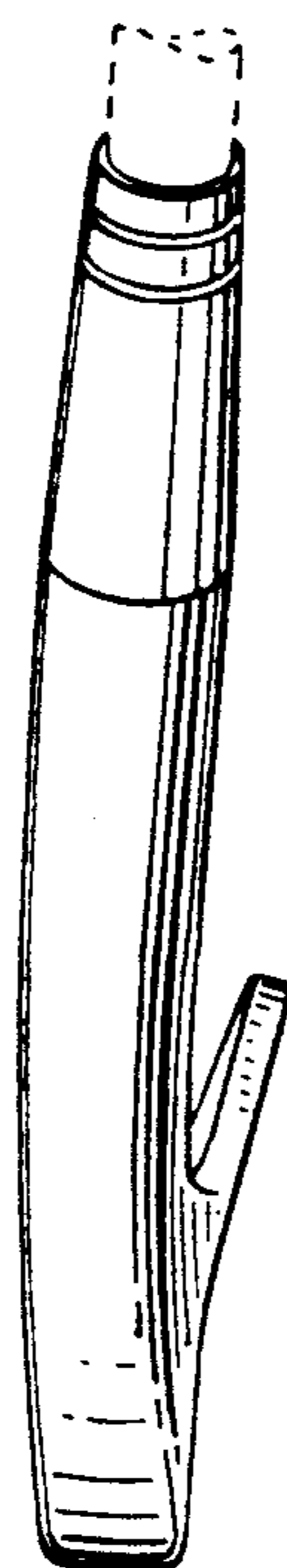
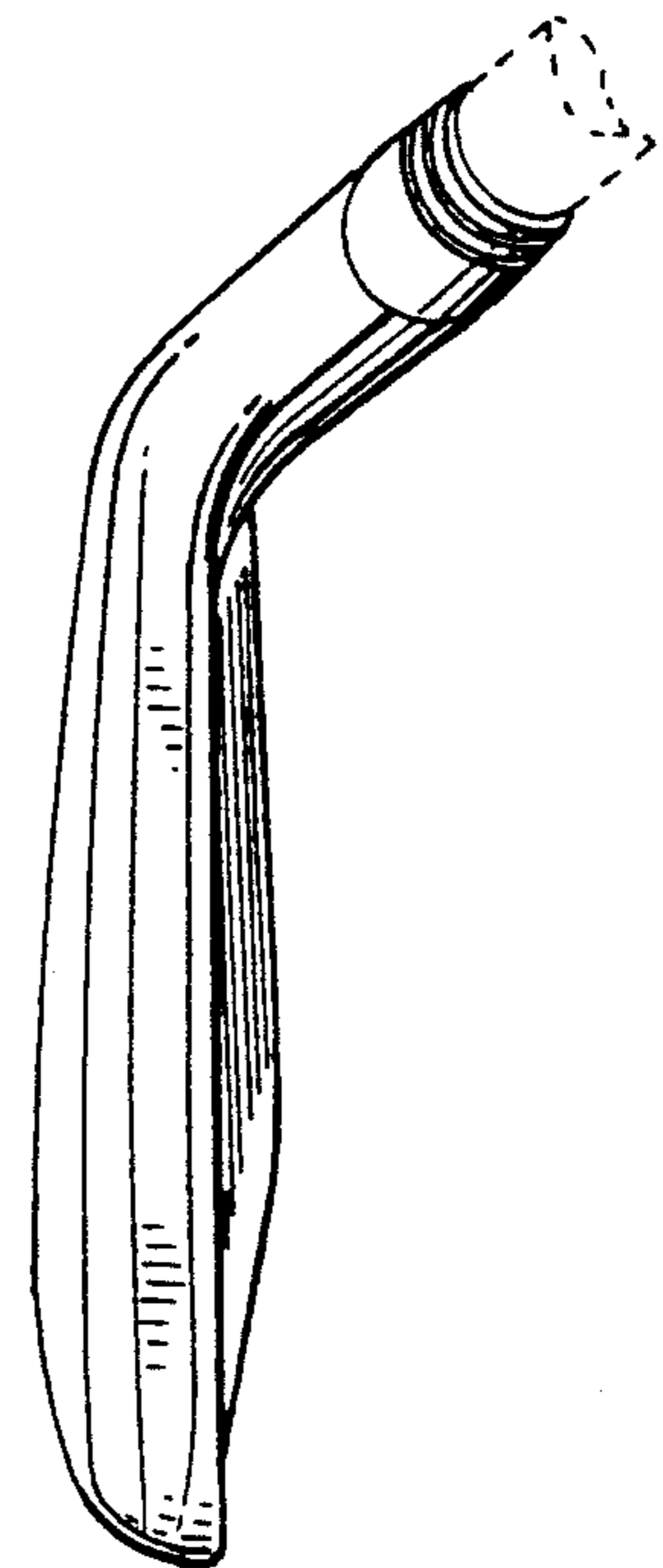


FIG. 6



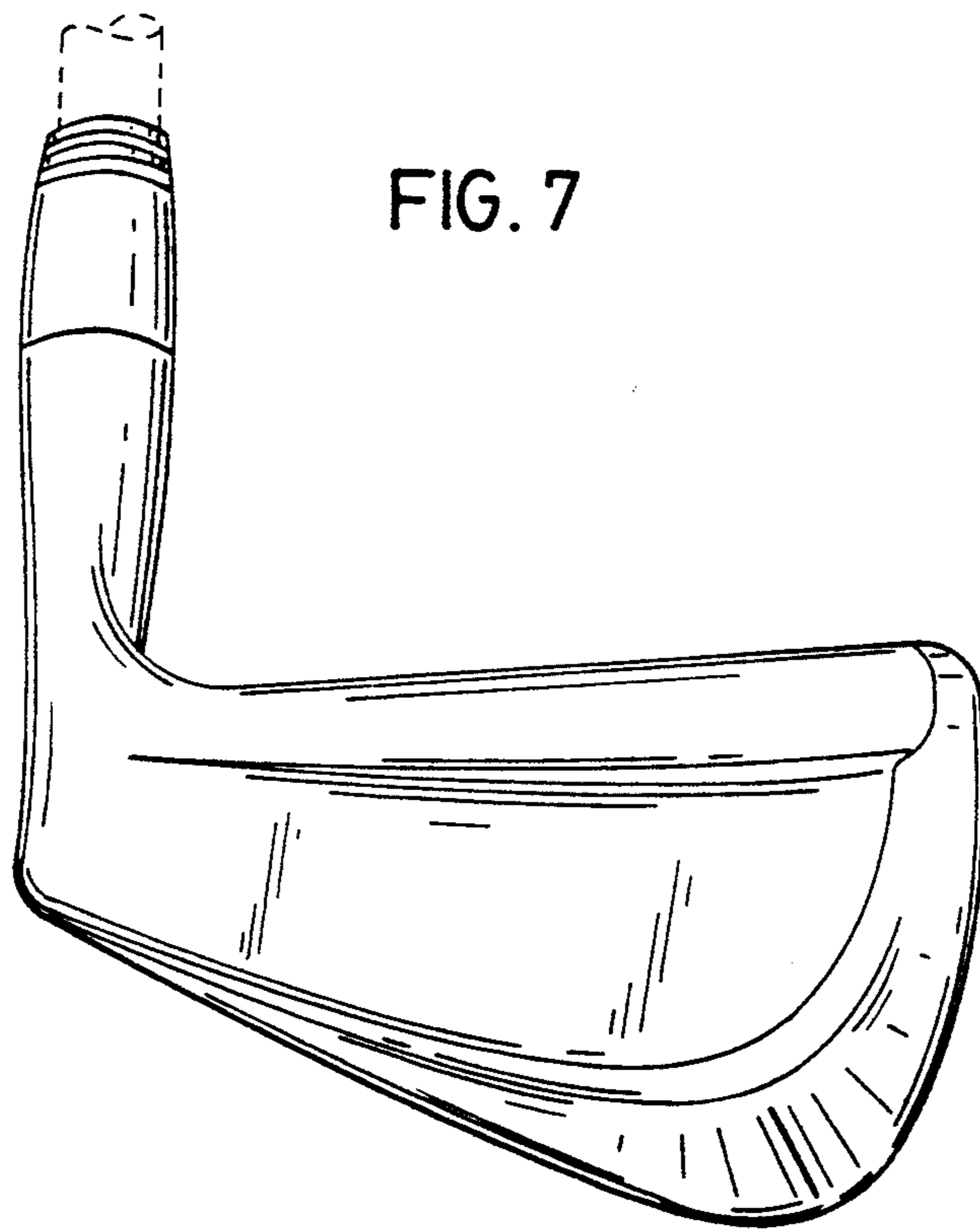


FIG. 7