



US00D345768S

# United States Patent [19]

[11] Patent Number: **Des. 345,768**

Bro et al.

[45] Date of Patent: **\*\* Apr. 5, 1994**

[54] TOY WAGON

[75] Inventors: **Jay M. Bro; Philip M. Baerenwald,**  
both of Plano, Tex.

[73] Assignee: **Today's Kids, Inc.,** Booneville, Ark.

[\*\*] Term: **14 Years**

[21] Appl. No.: **4,467**

[22] Filed: **Feb. 5, 1993**

[52] U.S. Cl. .... **D21/71**

[58] Field of Search ..... **446/440, 451;**  
**280/87.01, 87.021, 87.041, 87.043, 827, 282, 62,**  
**270, 293, 274, 281.1, 288.2, 288.3, 263; 180/219;**  
**D21/71, 74, 76, 78, 80-81, 134, 157; D12/87,**  
**110**

[56] **References Cited**

**U.S. PATENT DOCUMENTS**

D. 202,797	11/1965	Thornell	.....	D21/71
D. 261,784	11/1981	Fisher	.....	D21/78
D. 275,691	9/1984	Appel	.....	D21/76
D. 327,101	6/1992	Halter	.....	D21/71
288,663	11/1883	Reed	.....	280/87.01
2,294,564	9/1942	Leber	.....	446/465
4,963,115	10/1990	Davin et al.	.....	446/96

*Primary Examiner*—Bernard Ansher

*Assistant Examiner*—R. Barkai

*Attorney, Agent, or Firm*—Kirkpatrick & Lockhart

[57] **CLAIM**

The ornamental design for toy wagon, as shown and described.

**DESCRIPTION**

FIG. 1 is a perspective view of a toy wagon showing our new design with the seat member thereof in a first position;

FIG. 2 is a front elevational view of the toy wagon of FIG. 1;

FIG. 3 is a side elevational view of the toy wagon of FIG. 1, the opposite side view thereof being the same;

FIG. 4 is a rear elevational view of the toy wagon of FIG. 1;

FIG. 5 is a top view of the toy wagon of FIG. 1;

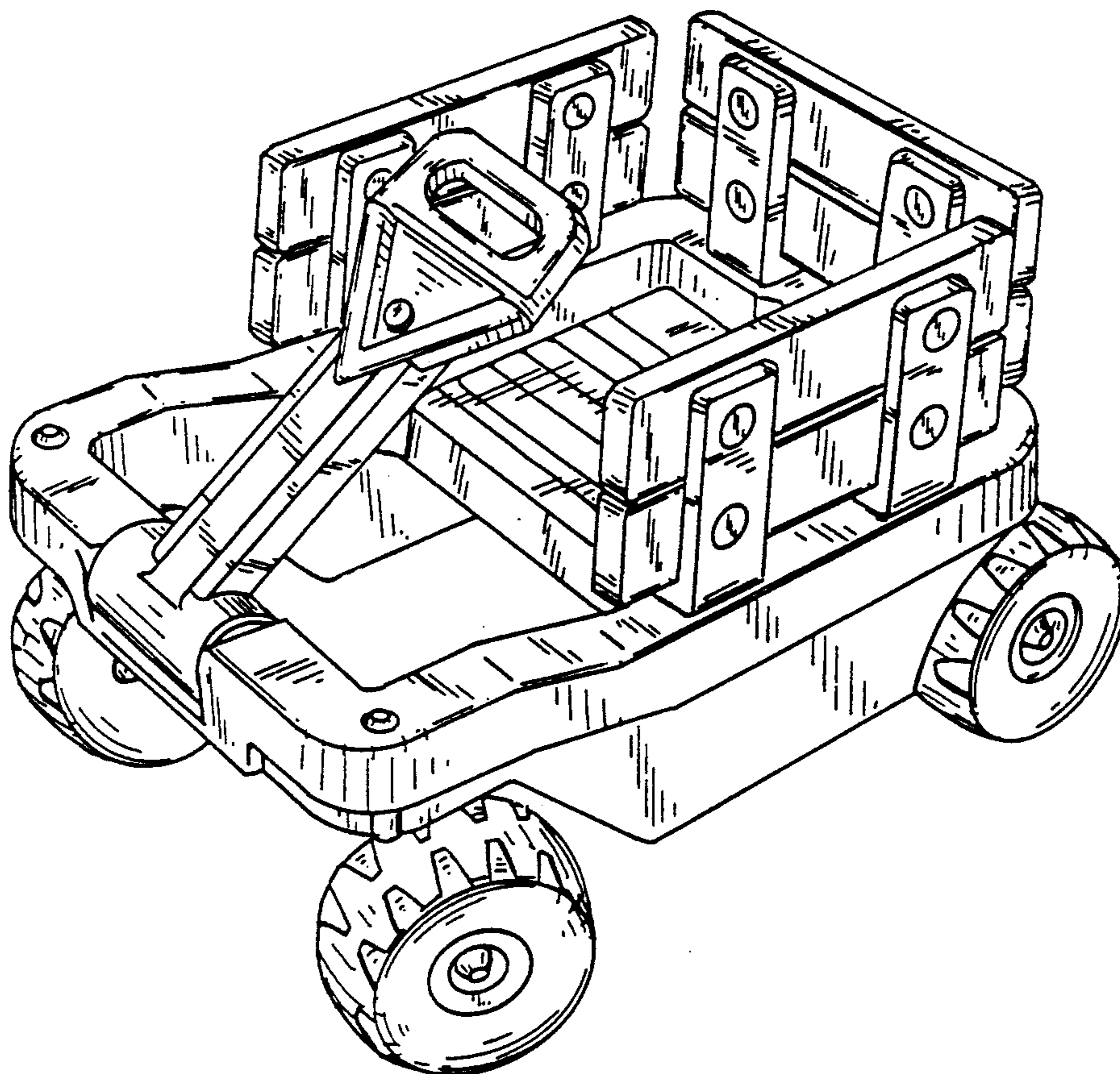
FIG. 6 is a bottom view of the toy wagon of FIG. 1;

FIG. 7 is a perspective view of the toy wagon of FIG. 1;

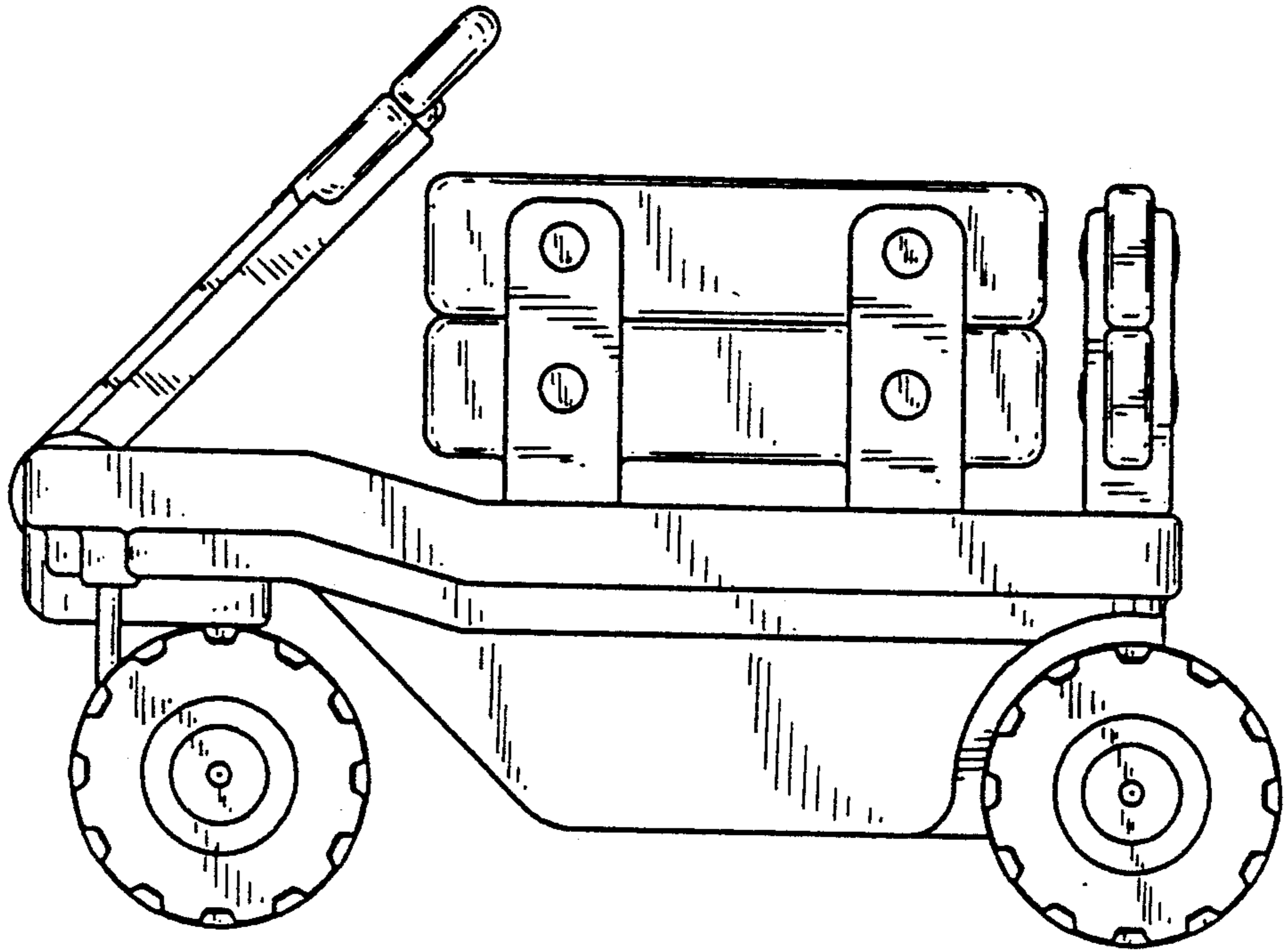
FIG. 8 is a top view of a toy wagon showing our new design with the seat member thereof in a second position;

FIG. 9 is a bottom view of the toy wagon of FIG. 8; and,

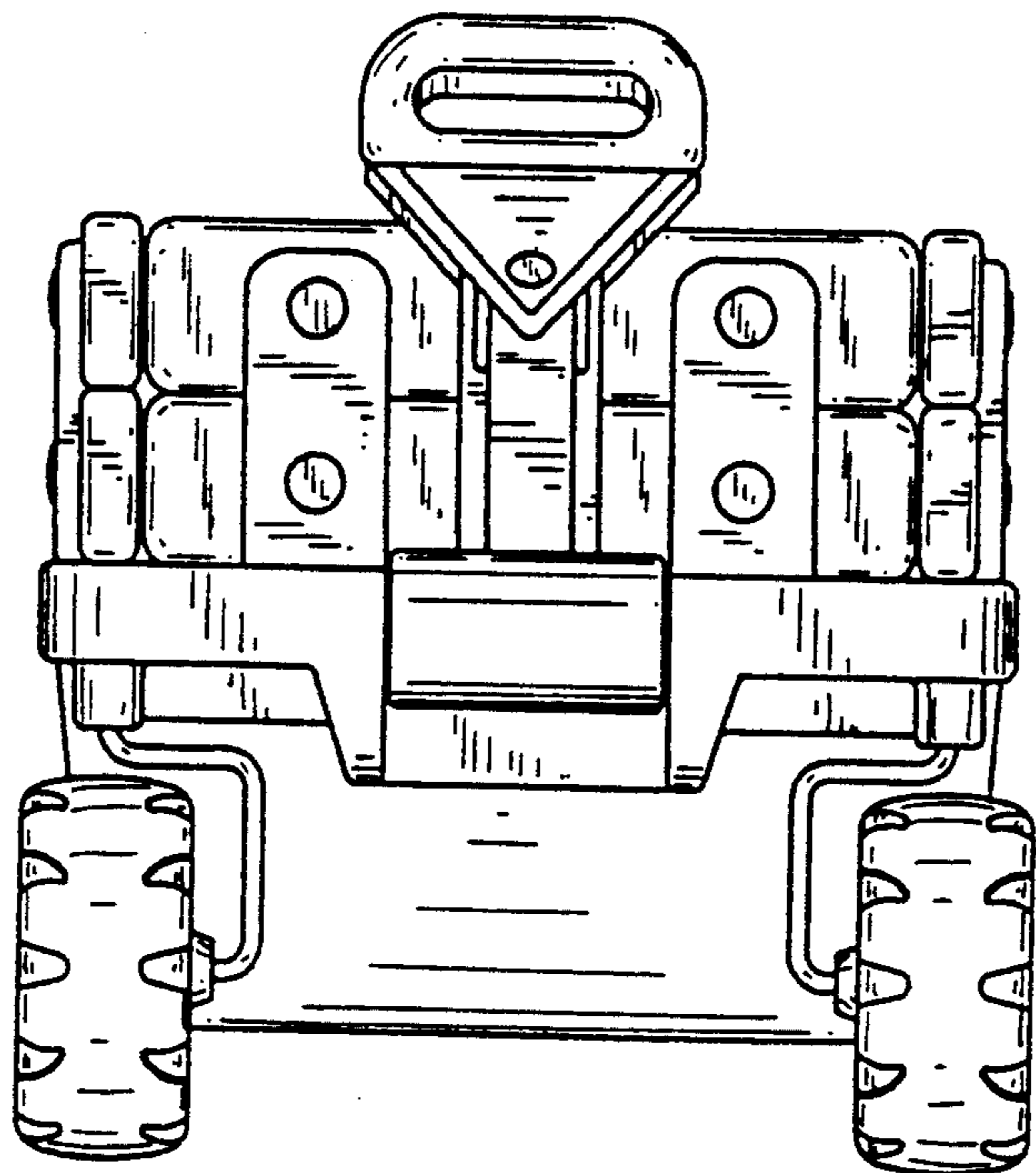
FIG. 10 is a perspective view of the toy wagon of FIG. 8.



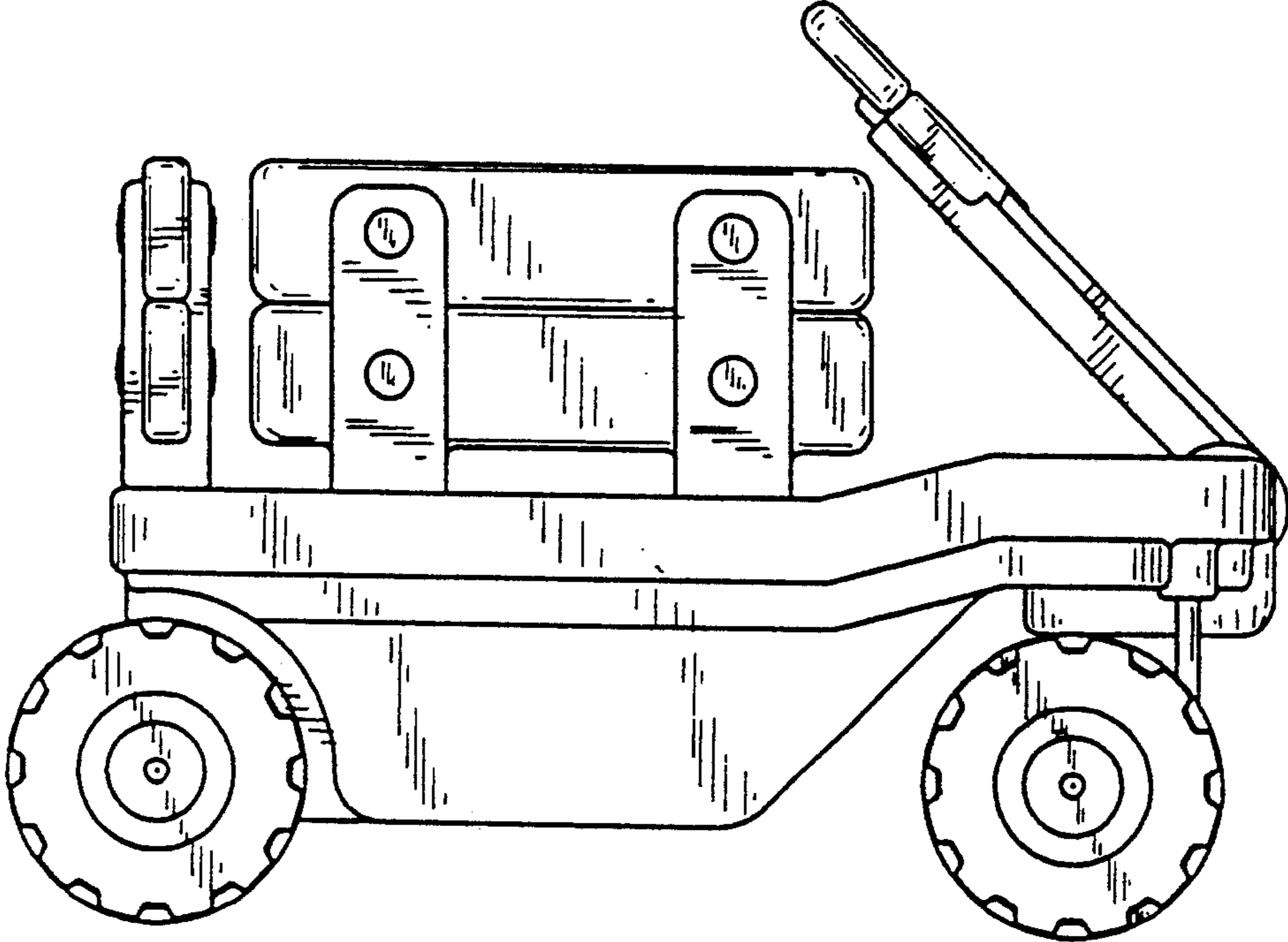
*Fig.1*



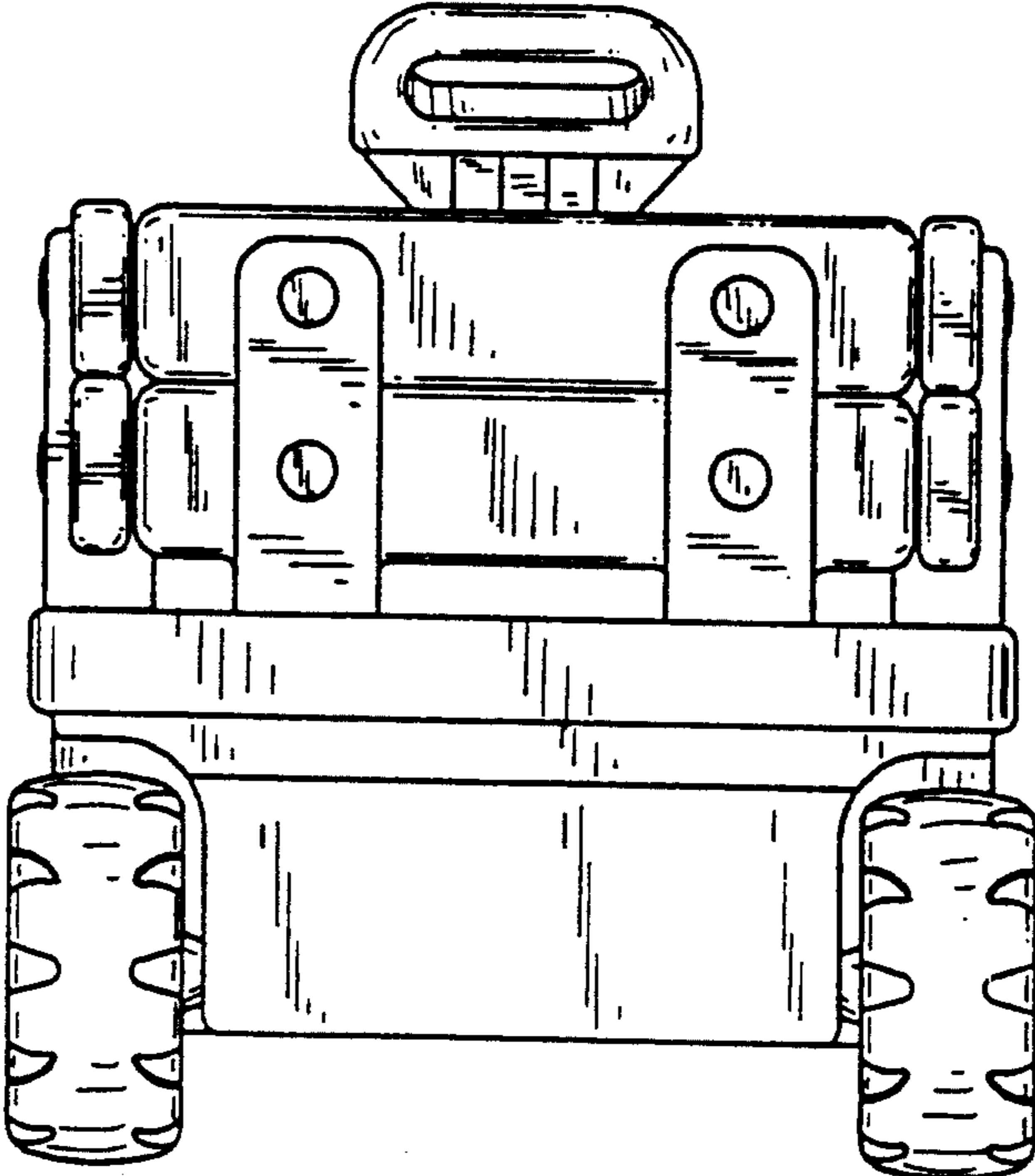
*Fig.2.*



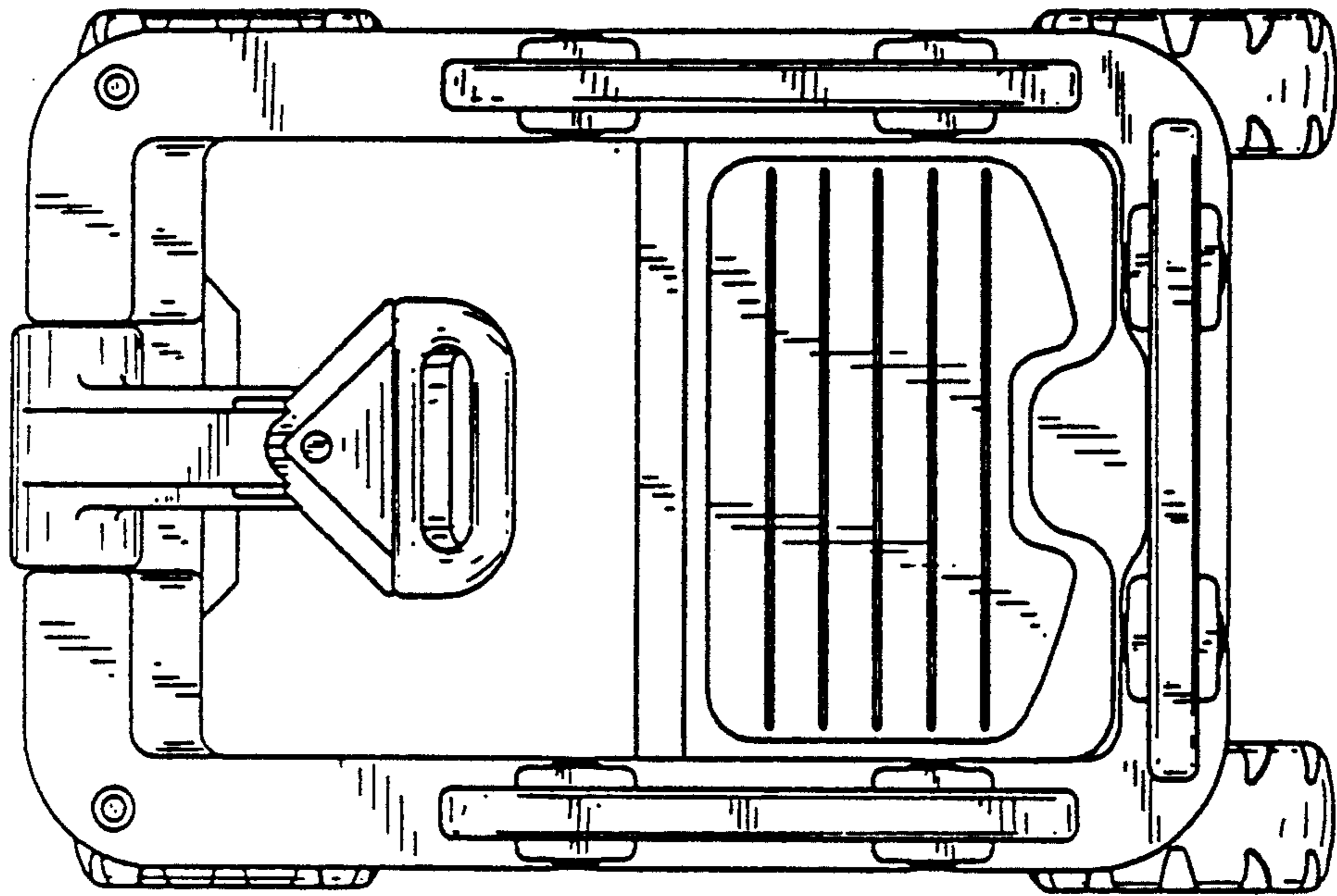
*Fig. 3.*



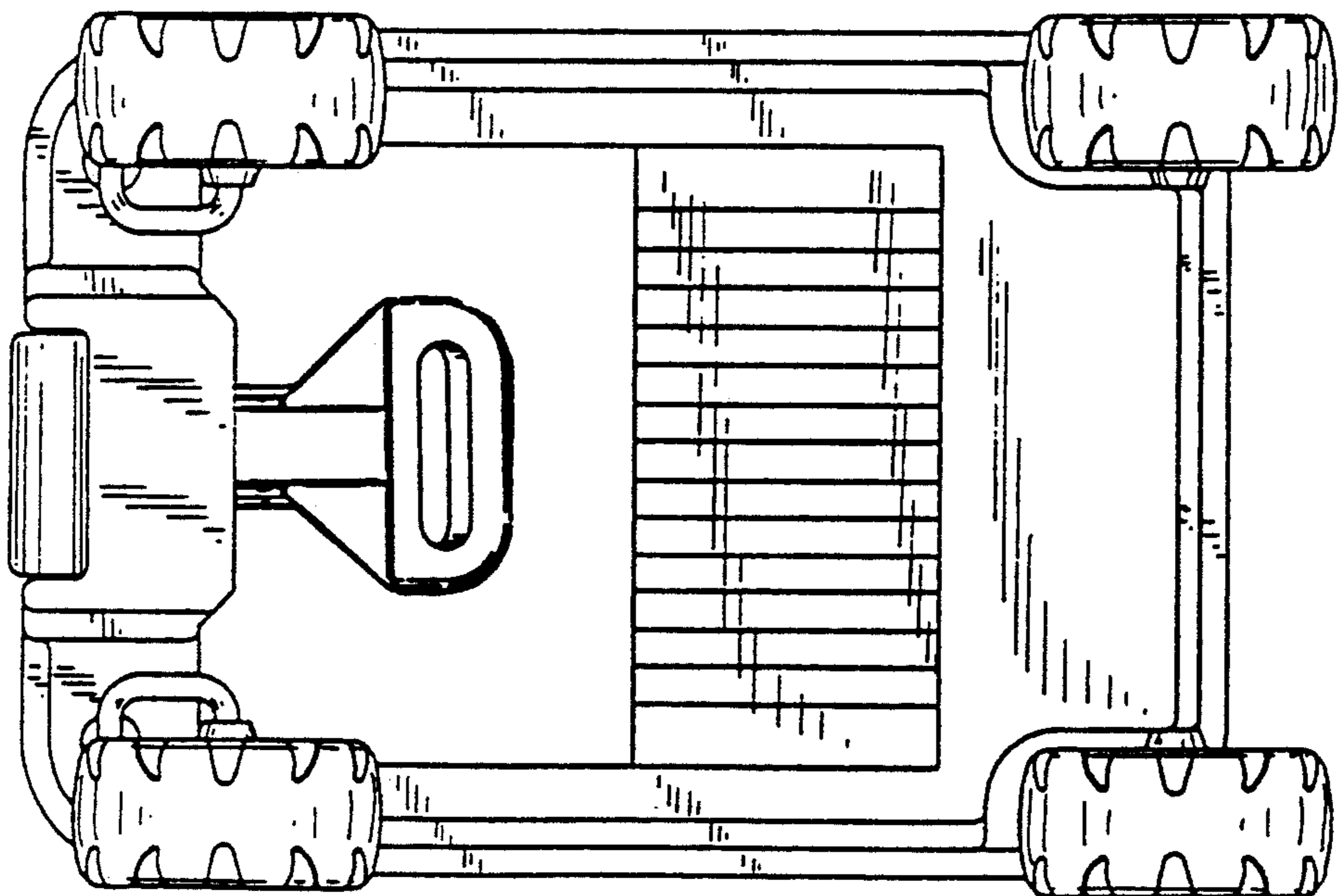
*Fig. 4.*



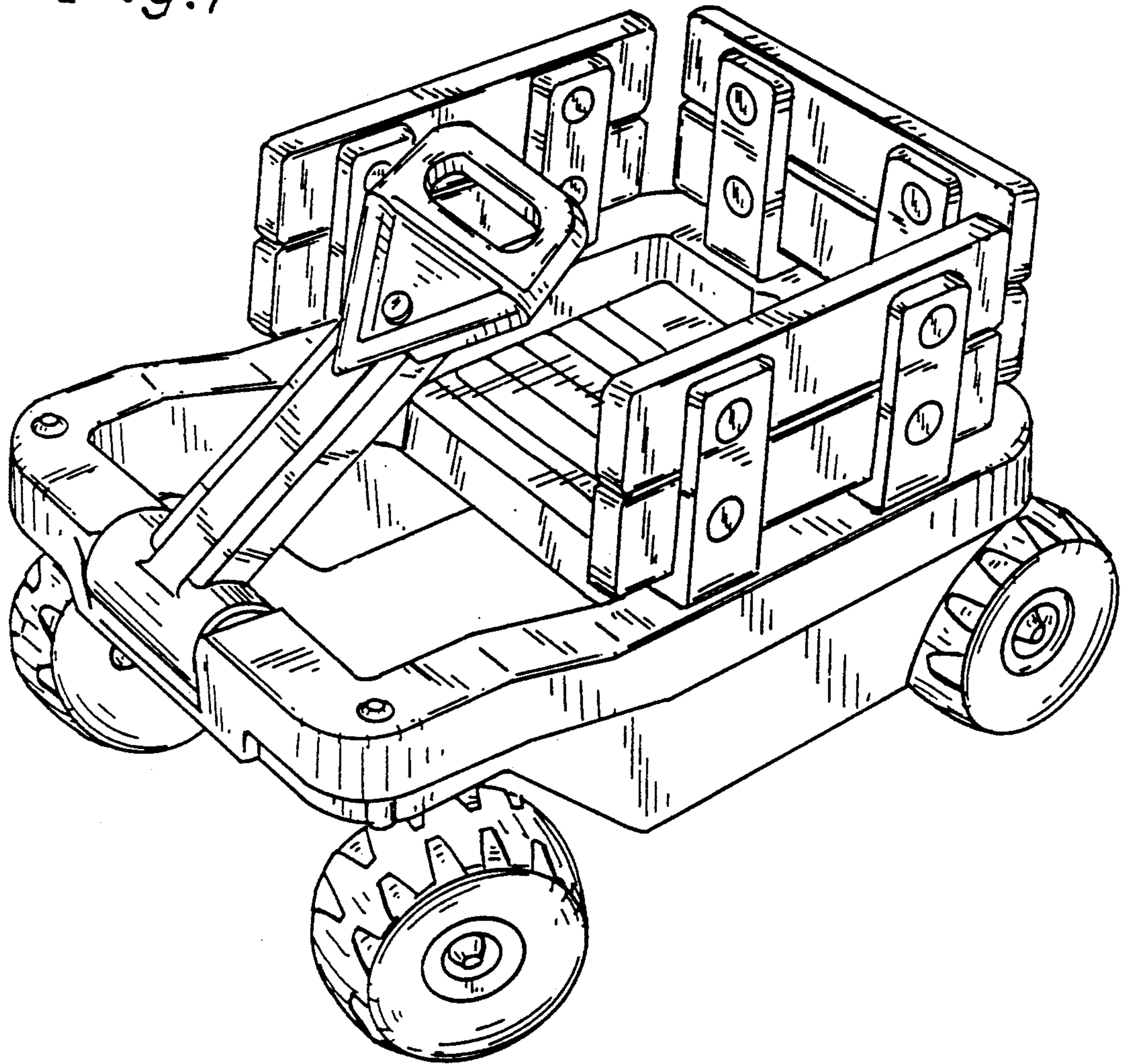
*Fig. 5.*



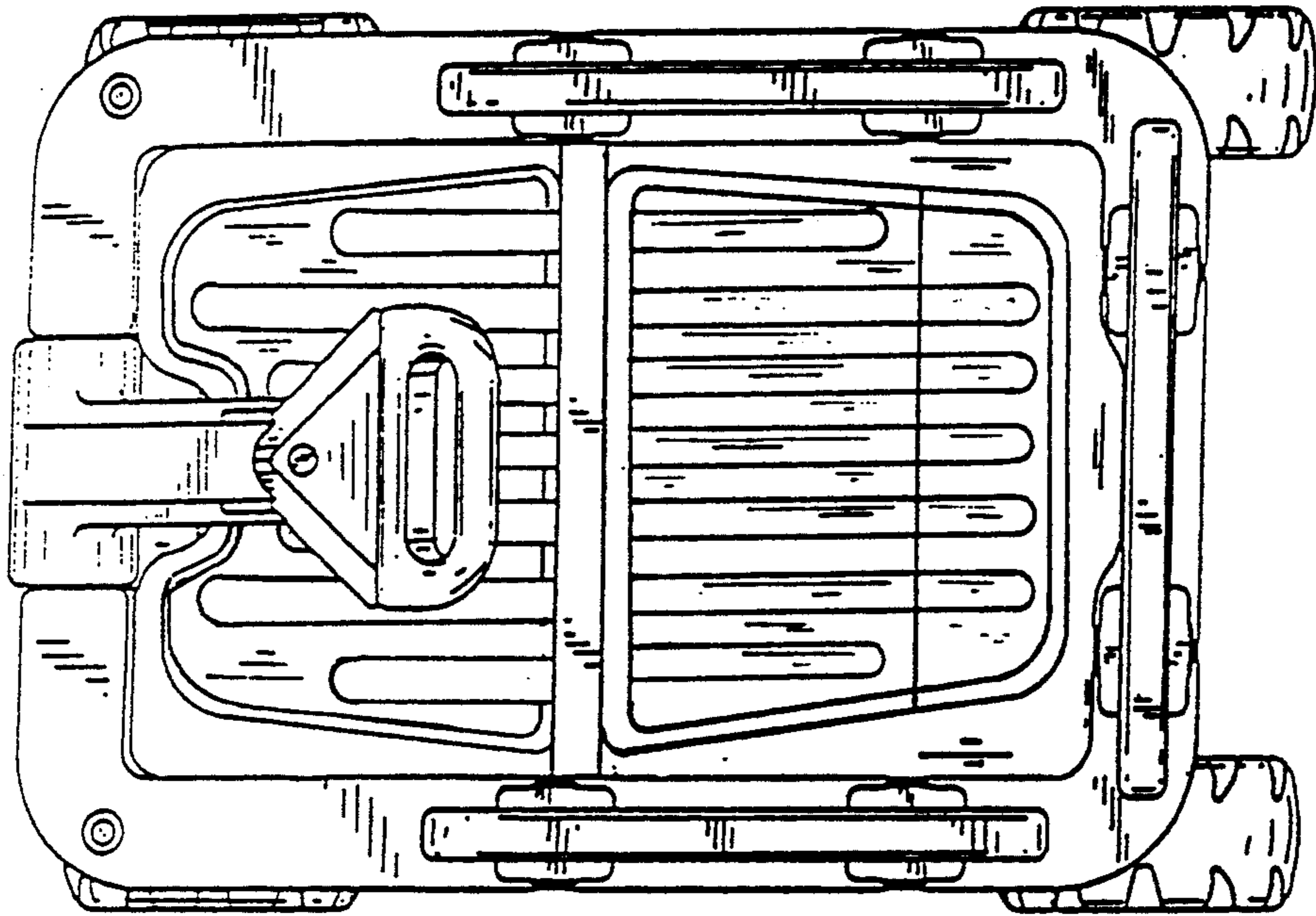
*Fig. 6.*



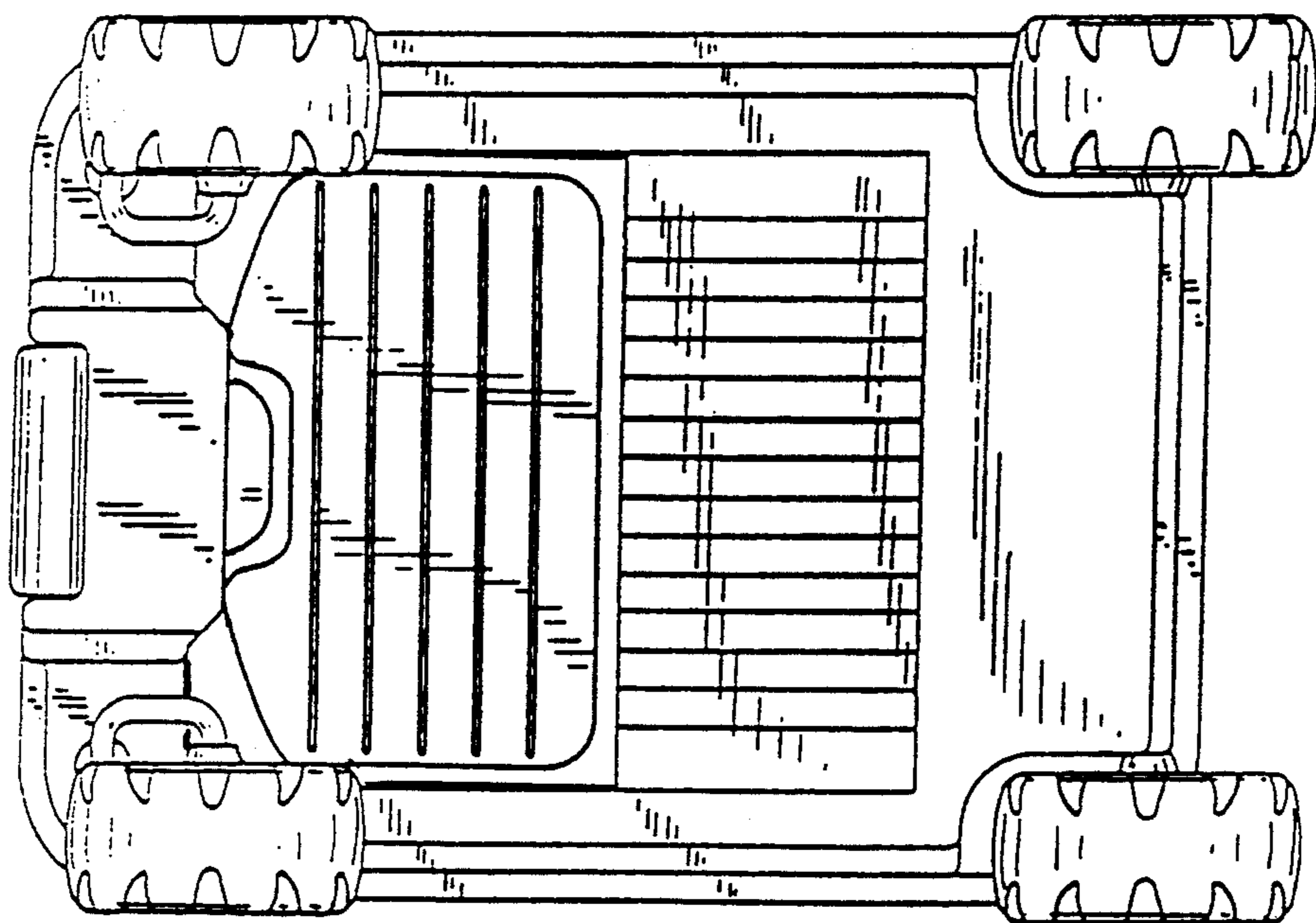
*Fig.7*



*Fig. 8*



*Fig. 9*



*Fig. 10*

