



US00D345756S

# United States Patent [19]

[11] Patent Number: **Des. 345,756**

**Clothier**

[45] Date of Patent: **\*\* Apr. 5, 1994**

## [54] STEREO FILTER PEDAL

[76] Inventor: **Edwin C. Clothier**, 1201 N. Mansfield, Hollywood, CA 90038

[\*\*] Term: **14 Years**

[21] Appl. No.: **825,183**

[22] Filed: **Jan. 24, 1992**

[52] U.S. Cl. .... **D17/20; D13/167; D17/99; 84/312 P**

[58] Field of Search ..... **74/594.4; 84/267, 453, 84/600, 601, 312, 312 P; D17/99, 20; D13/167; D12/125**

### [56] References Cited

#### U.S. PATENT DOCUMENTS

D. 147,322	8/1947	Eisenberg et al. ....	D13/167
D. 152,594	2/1949	Gaudill .....	D13/167
2,482,550	9/1949	Koertge et al. ....	D13/167 X
3,592,096	7/1971	Ritter .....	84/312 P

## OTHER PUBLICATIONS

"Guitar Player" Magazine, Jun. 1987, p. 29.

*Primary Examiner*—Bernard Ansher  
*Assistant Examiner*—Richelle Shelton  
*Attorney, Agent, or Firm*—Rapkin, Gitlin & Moser

## [57] CLAIM

The ornamental design for a stereo filter pedal, as shown.

## DESCRIPTION

FIG. 1 is a perspective view of the stereo filter pedal; FIG. 2 is a front elevational view of the stereo filter pedal; FIG. 3 is a rear elevational view of the stereo filter pedal; FIG. 4 is a top view of the stereo filter pedal; FIG. 5 is a bottom view of the stereo filter pedal; FIG. 6 is a left-side elevational view of the stereo filter pedal; and, FIG. 7 is a right-side elevational view of the stereo filter pedal.

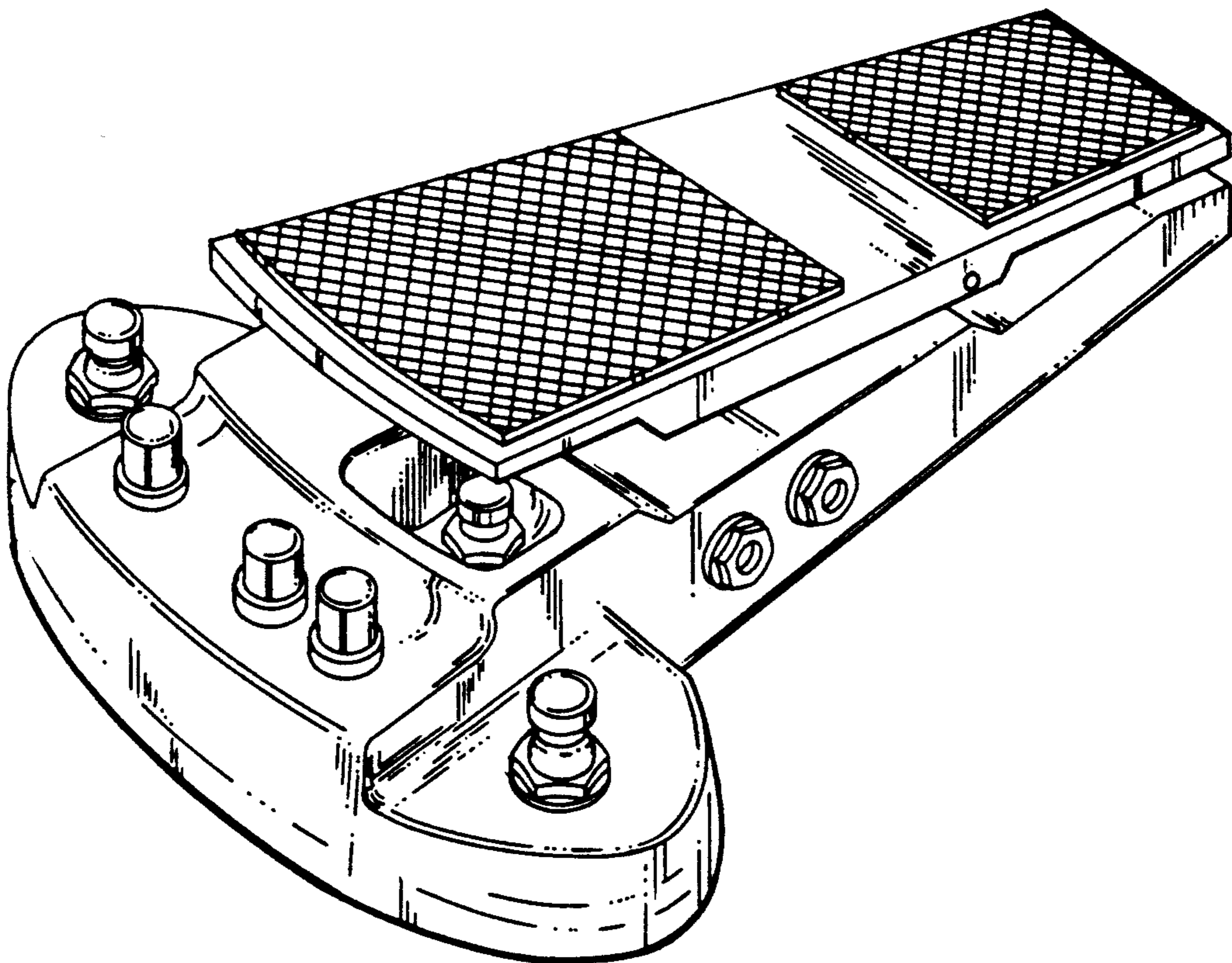


FIG. 1

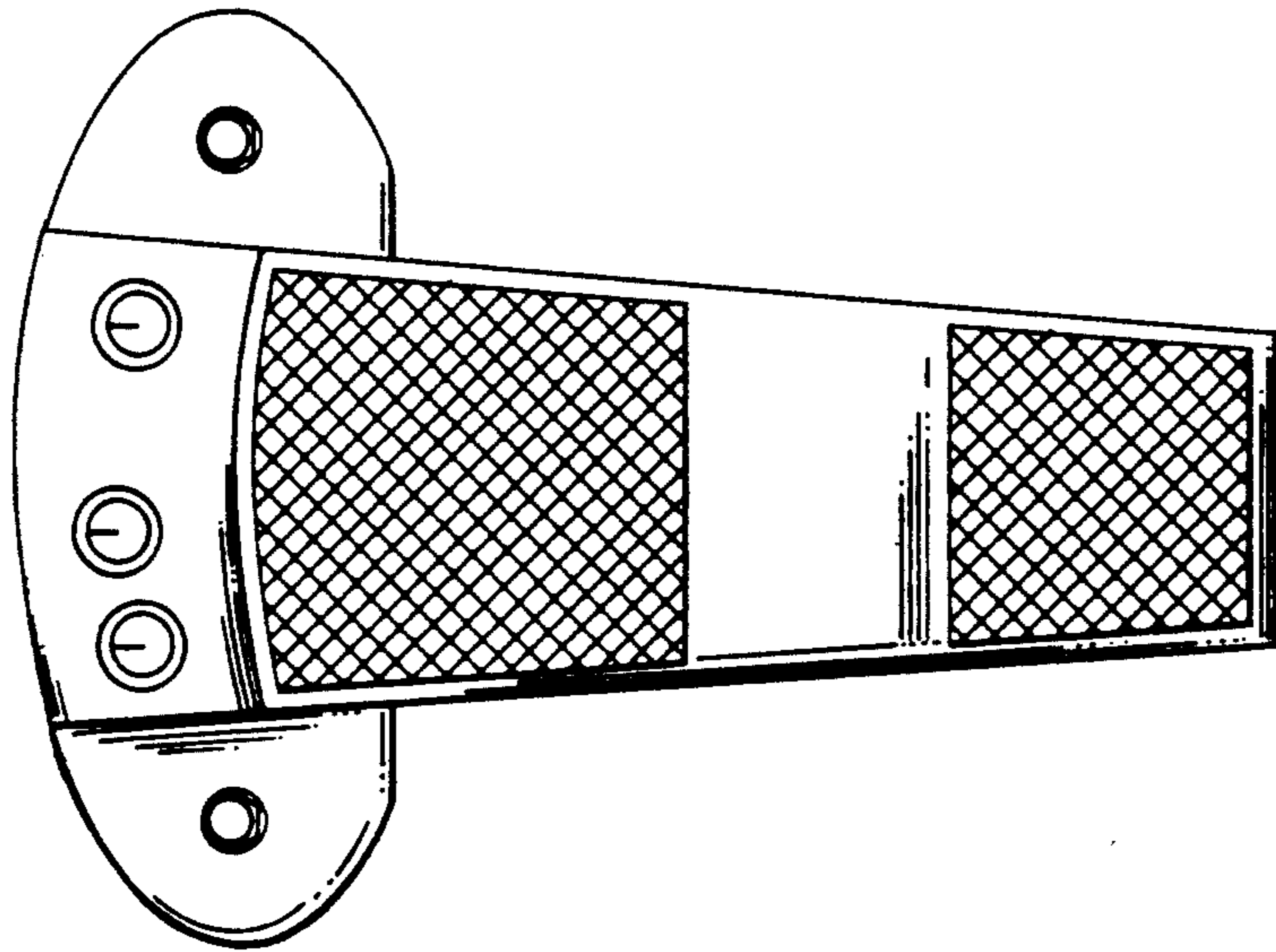
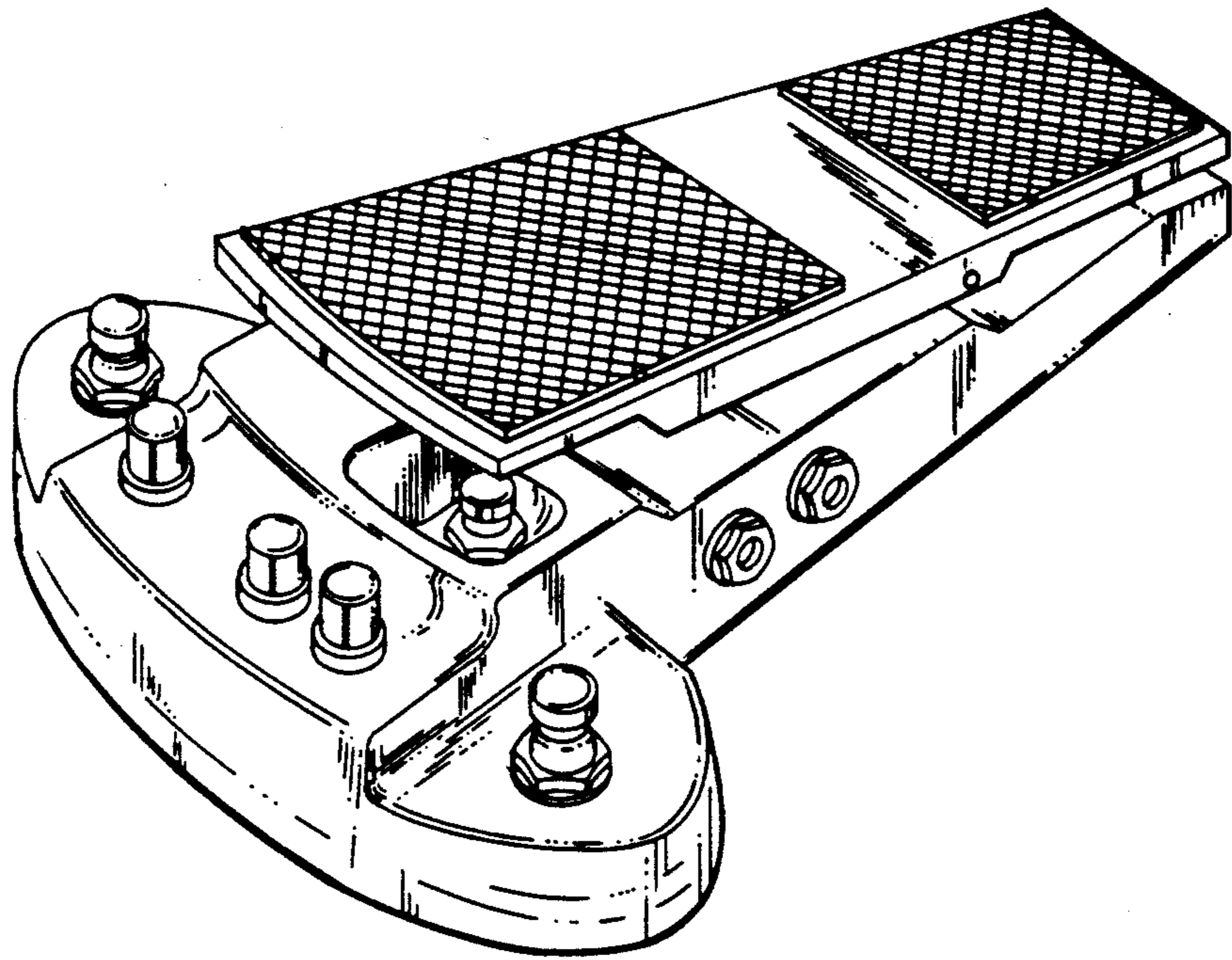


FIG. 2

FIG. 3

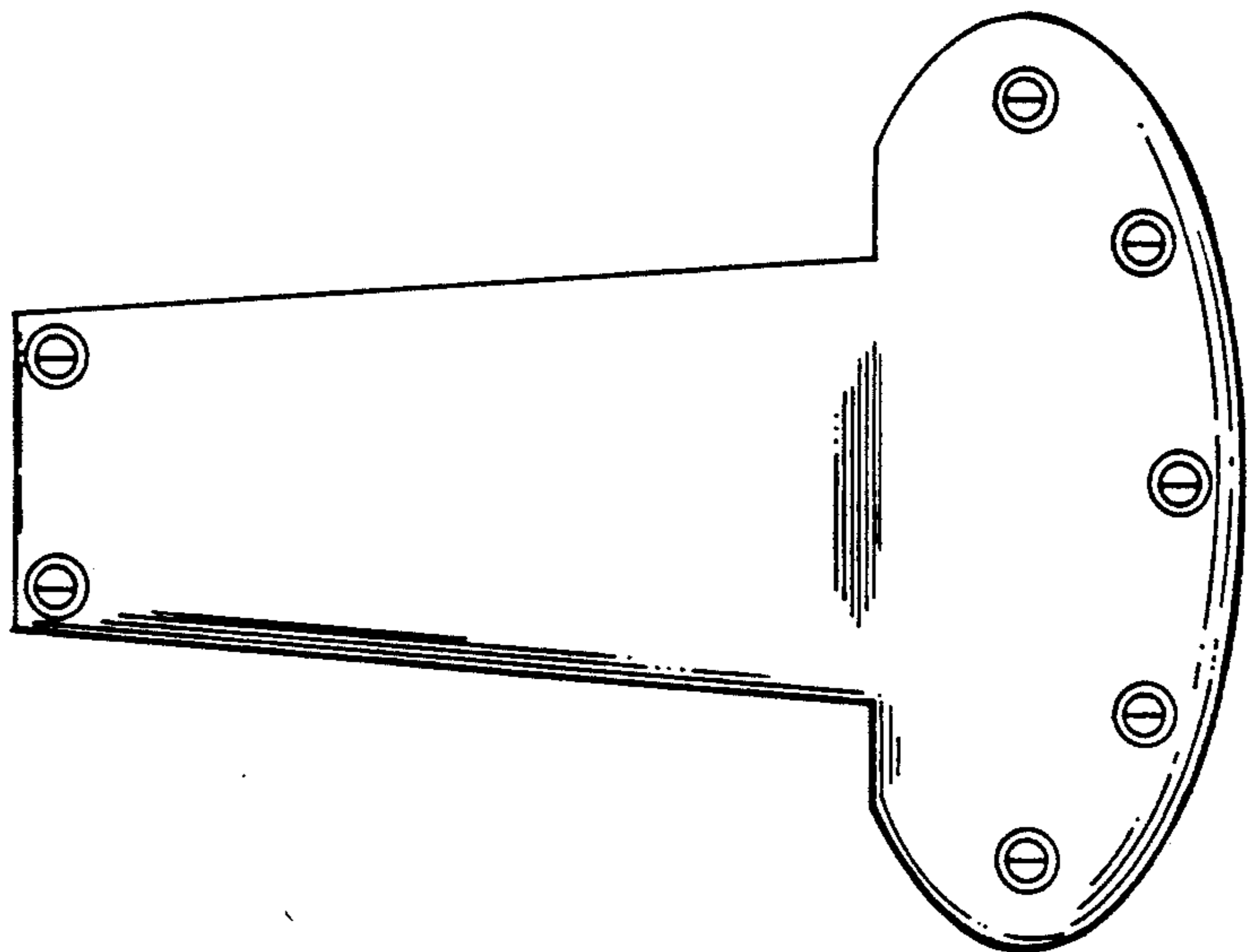


FIG. 4

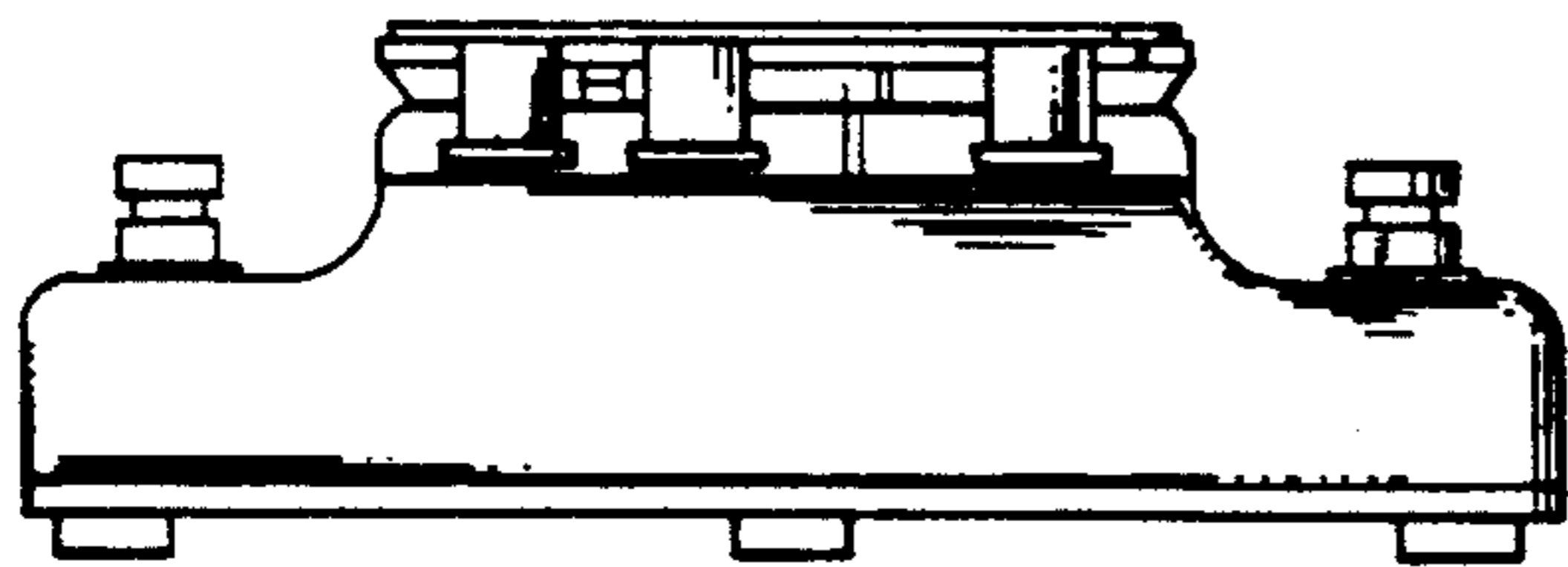


FIG. 5

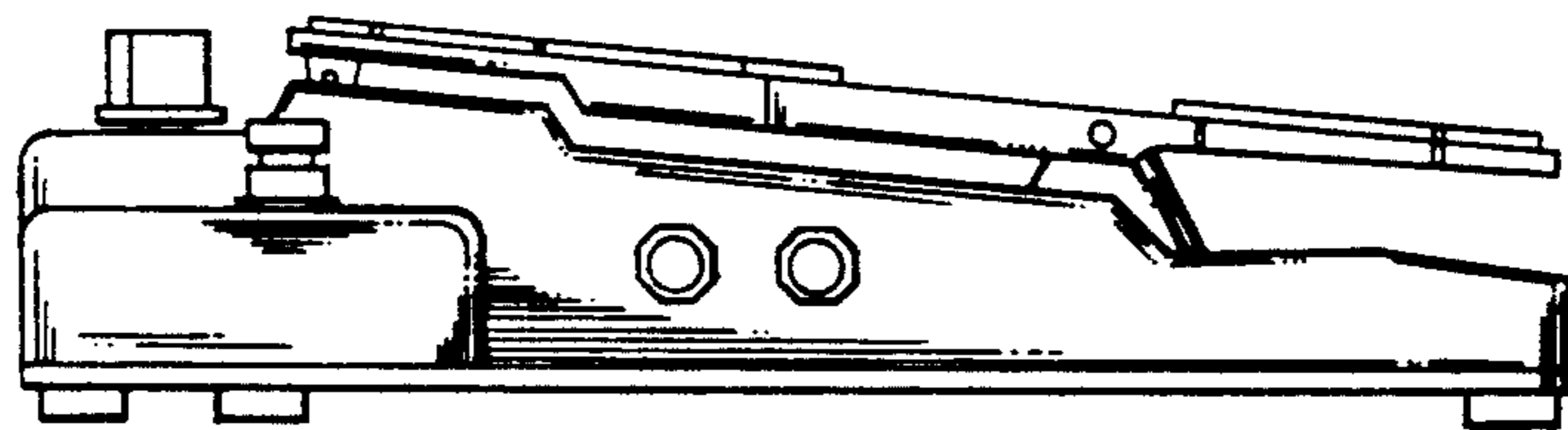
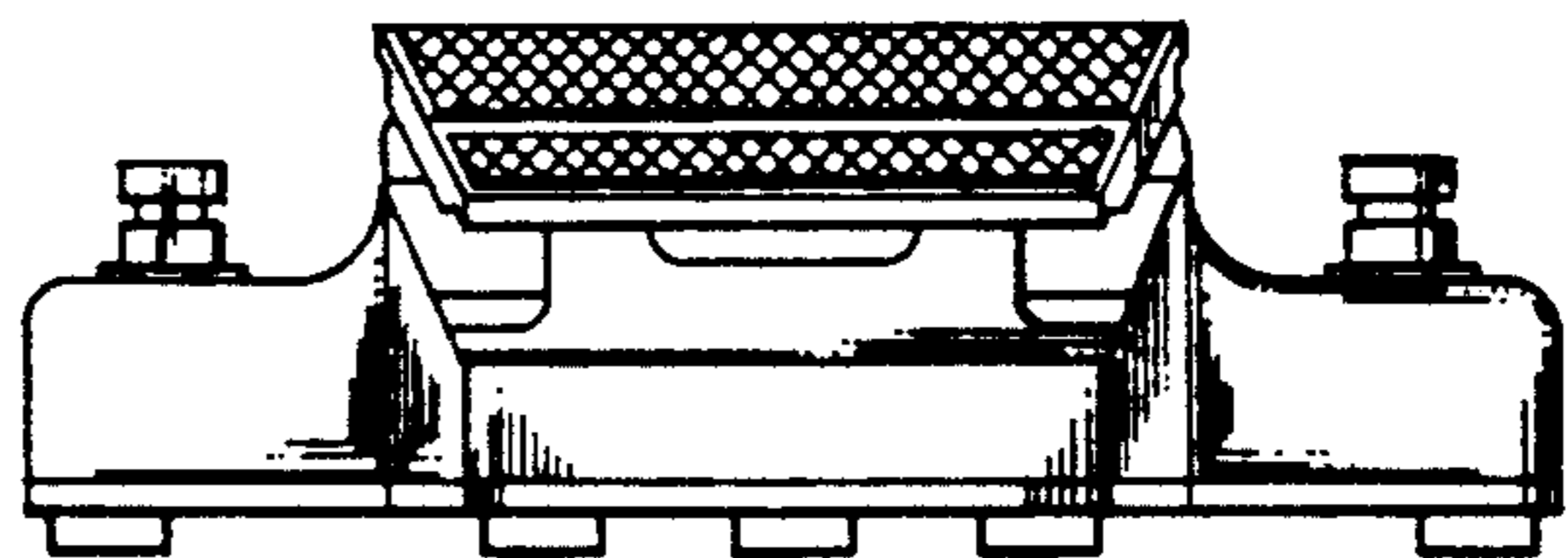


FIG. 6

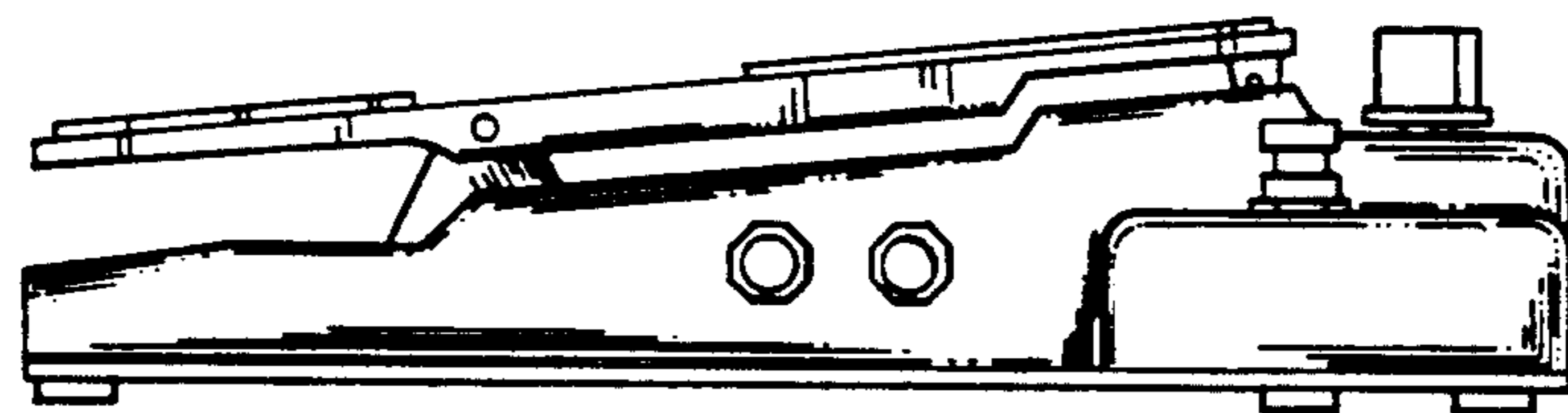


FIG. 7