



US00D345750S

United States Patent [19]

[11] Patent Number: **Des. 345,750**

Arai

[45] Date of Patent: **** Apr. 5, 1994**

[54] SINGLE USE CAMERA

4,751,536 6/1988 Ohmura et al. 354/75
4,758,852 7/1988 Maejima 354/288

[75] Inventor: **Takuya Arai, Tokyo, Japan**

[73] Assignee: **Fuji Photo Film Co., Ltd., Kanagawa, Japan**

[**] Term: **14 Years**

[21] Appl. No.: **1,452**

[22] Filed: **Nov. 13, 1992**

[30] Foreign Application Priority Data

May 14, 1992 [JP] Japan 4-14033

[52] U.S. Cl. **D16/208; D16/200**

[58] Field of Search **D9/307, 418, 432; 354/64, 65, 75, 126, 149.11, 202.288; D16/200-205, 208, 209, 212, 217, 218**

[56] References Cited

U.S. PATENT DOCUMENTS

- D. 313,183 12/1990 Arai D9/432
- D. 315,916 4/1991 Leonard et al. D16/218
- D. 320,937 10/1991 Arai D9/432
- D. 325,922 5/1992 Arai D16/208

OTHER PUBLICATIONS

Popular Photography, Dec. 1988 (Fuji's Quick Snap).

Primary Examiner—Melvin B. Feifer

Assistant Examiner—Adir Aronovich

Attorney, Agent, or Firm—Young & Thompson

[57] CLAIM

The ornamental design for a single use camera, as shown.

DESCRIPTION

FIG. 1 is a top, front and side perspective view of a single use camera showing my new design;
 FIG. 2 is a front elevational view thereof;
 FIG. 3 is a rear elevational view thereof;
 FIG. 4 is a top plan view thereof;
 FIG. 5 is a bottom plan view thereof;
 FIG. 6 is an end elevational view thereof from the left of FIG. 2; and,
 FIG. 7 is an end elevational view thereof from the right of FIG. 2.

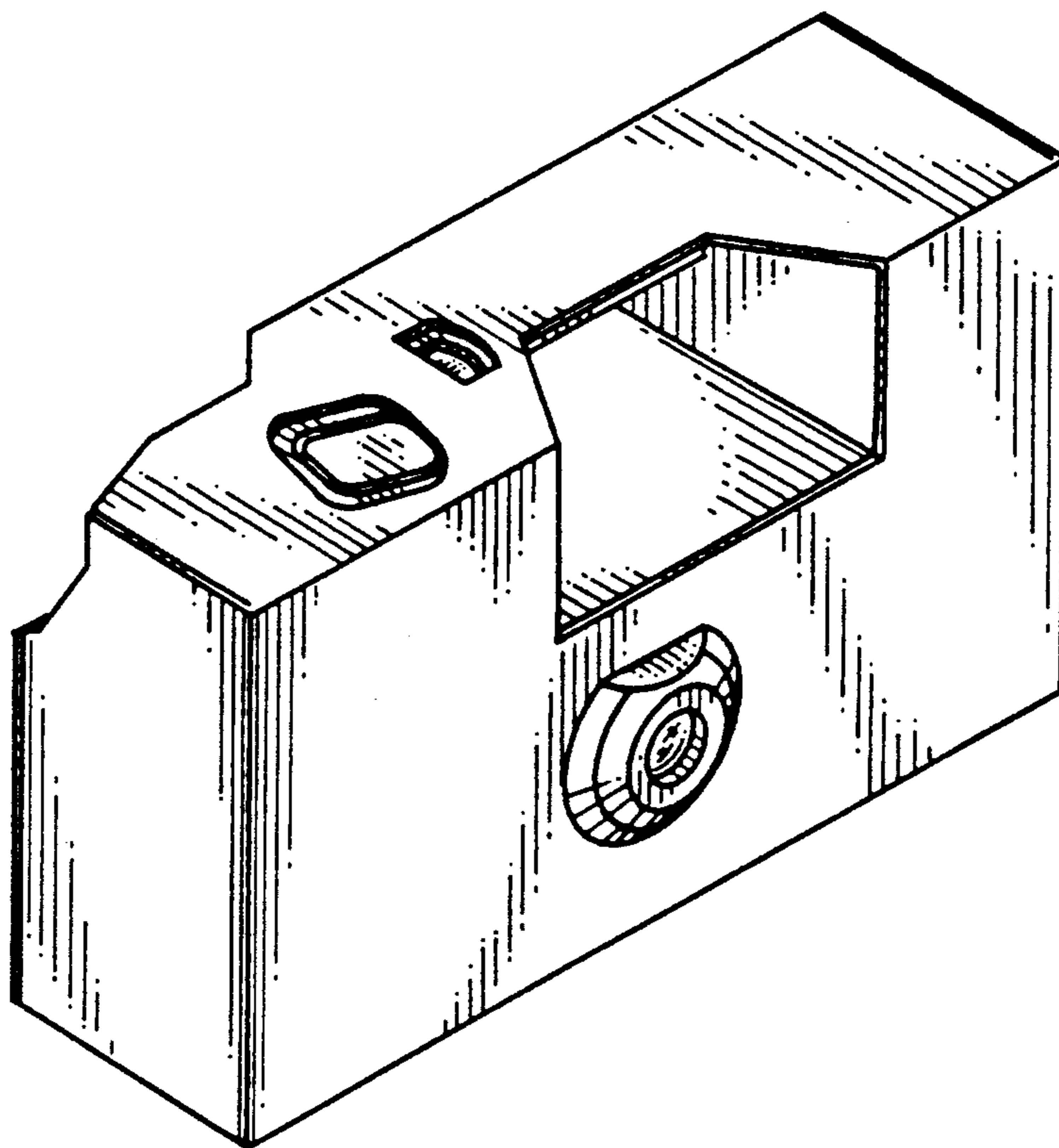


FIG. 1

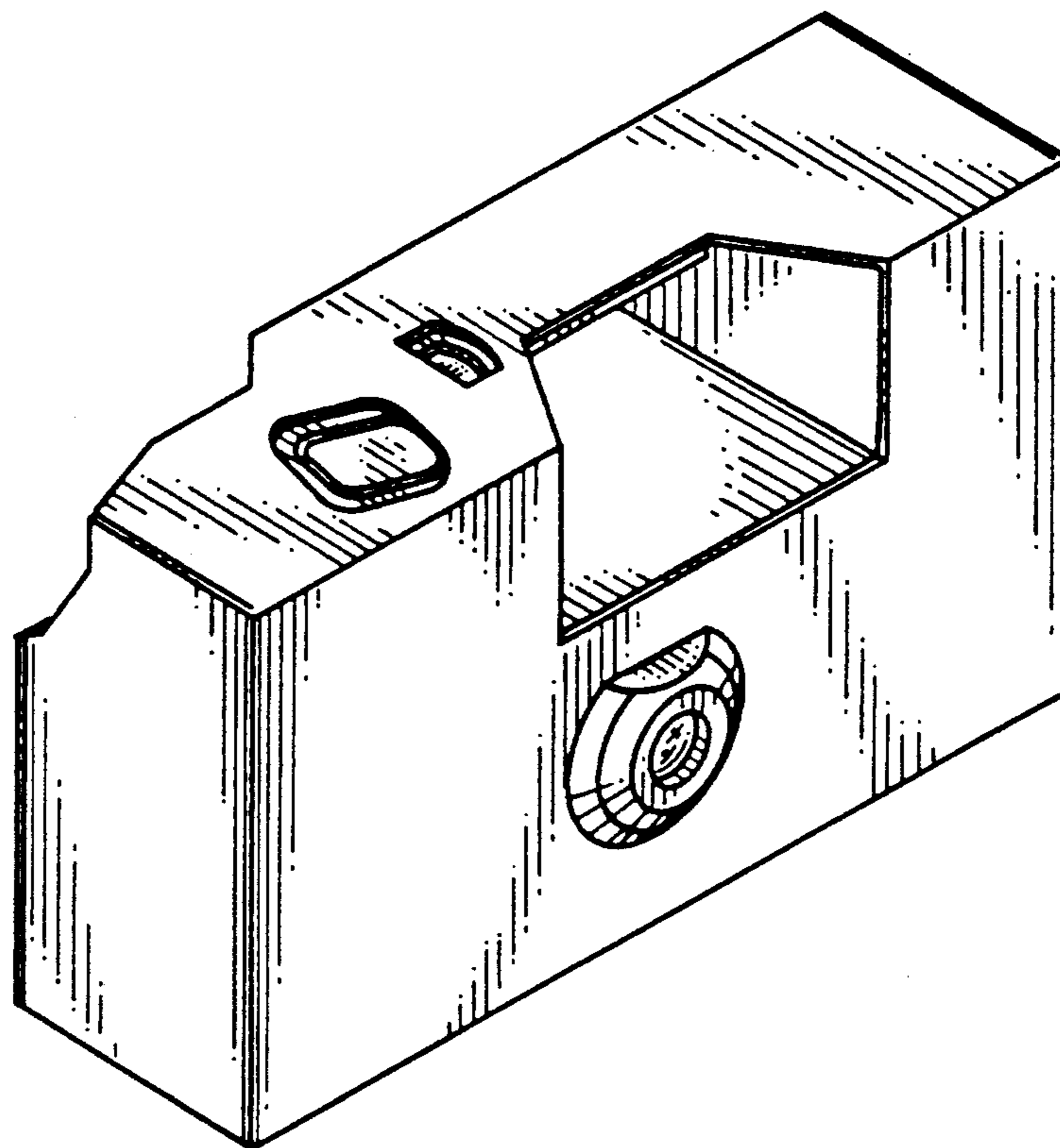


FIG. 2

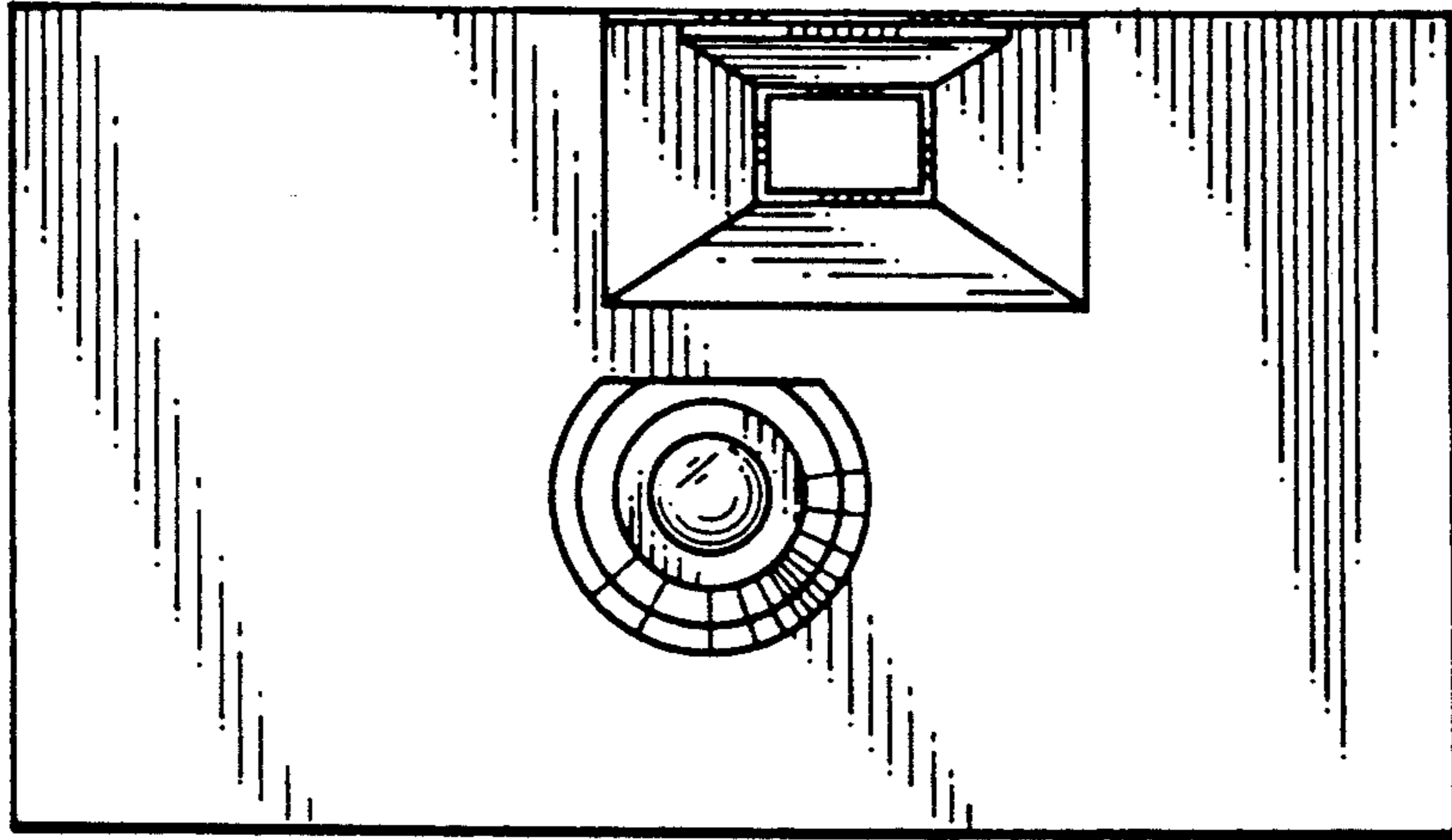


FIG. 3

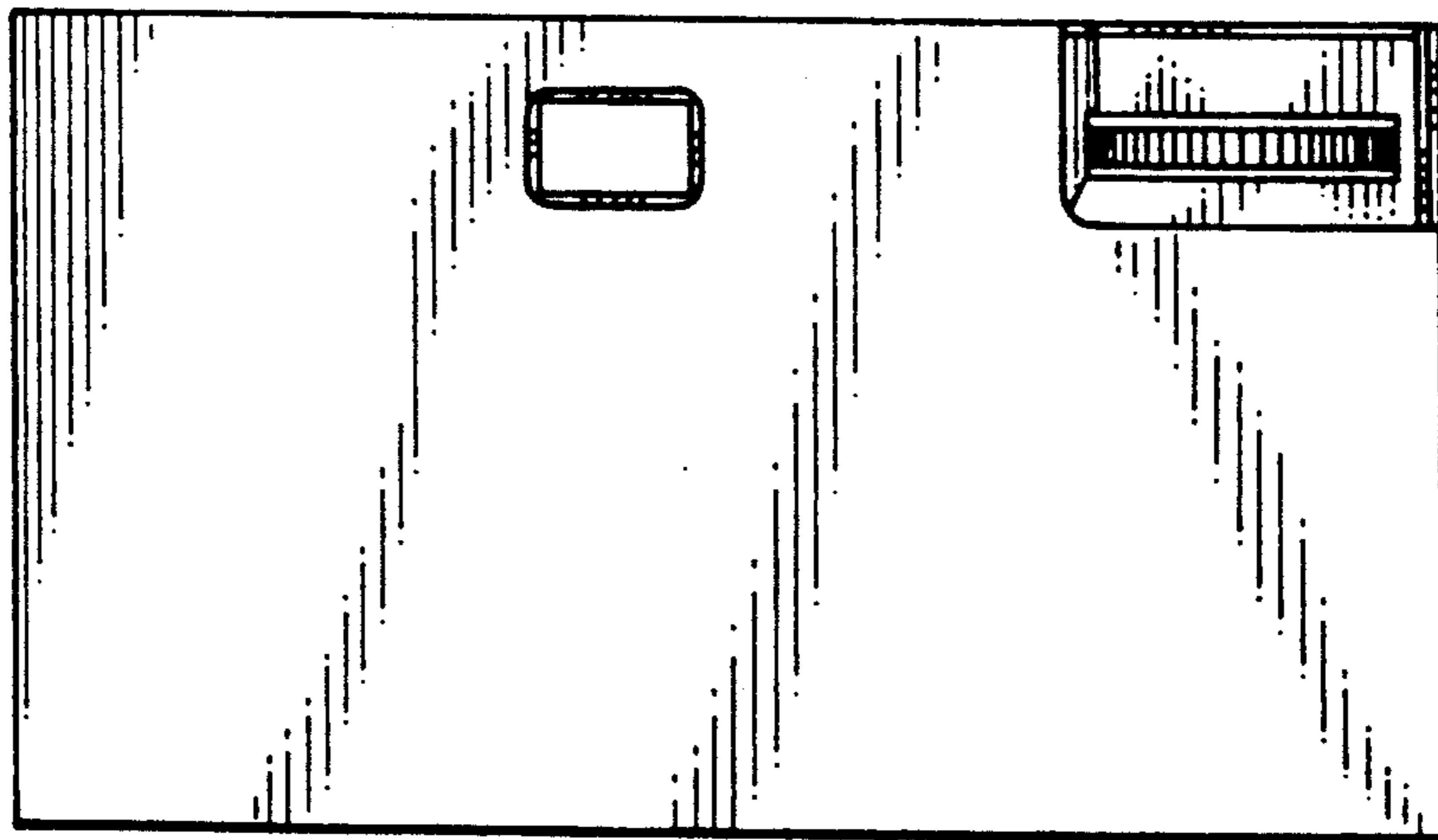


FIG. 4

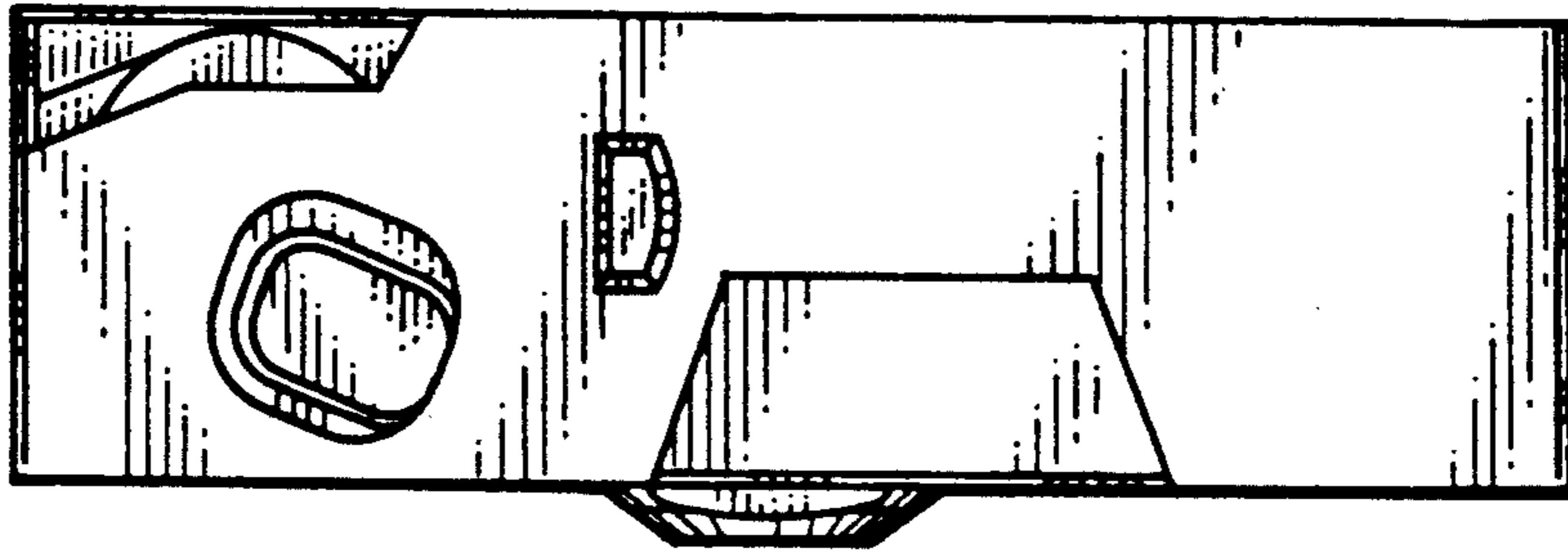


FIG. 5

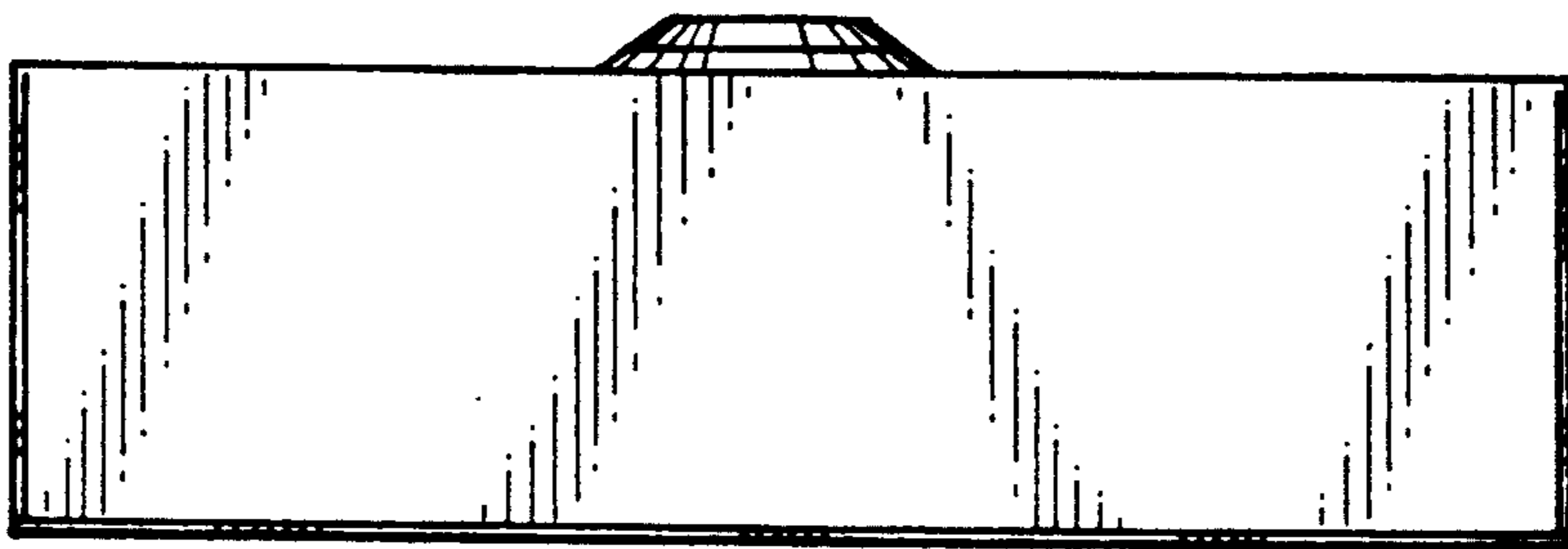


FIG. 6

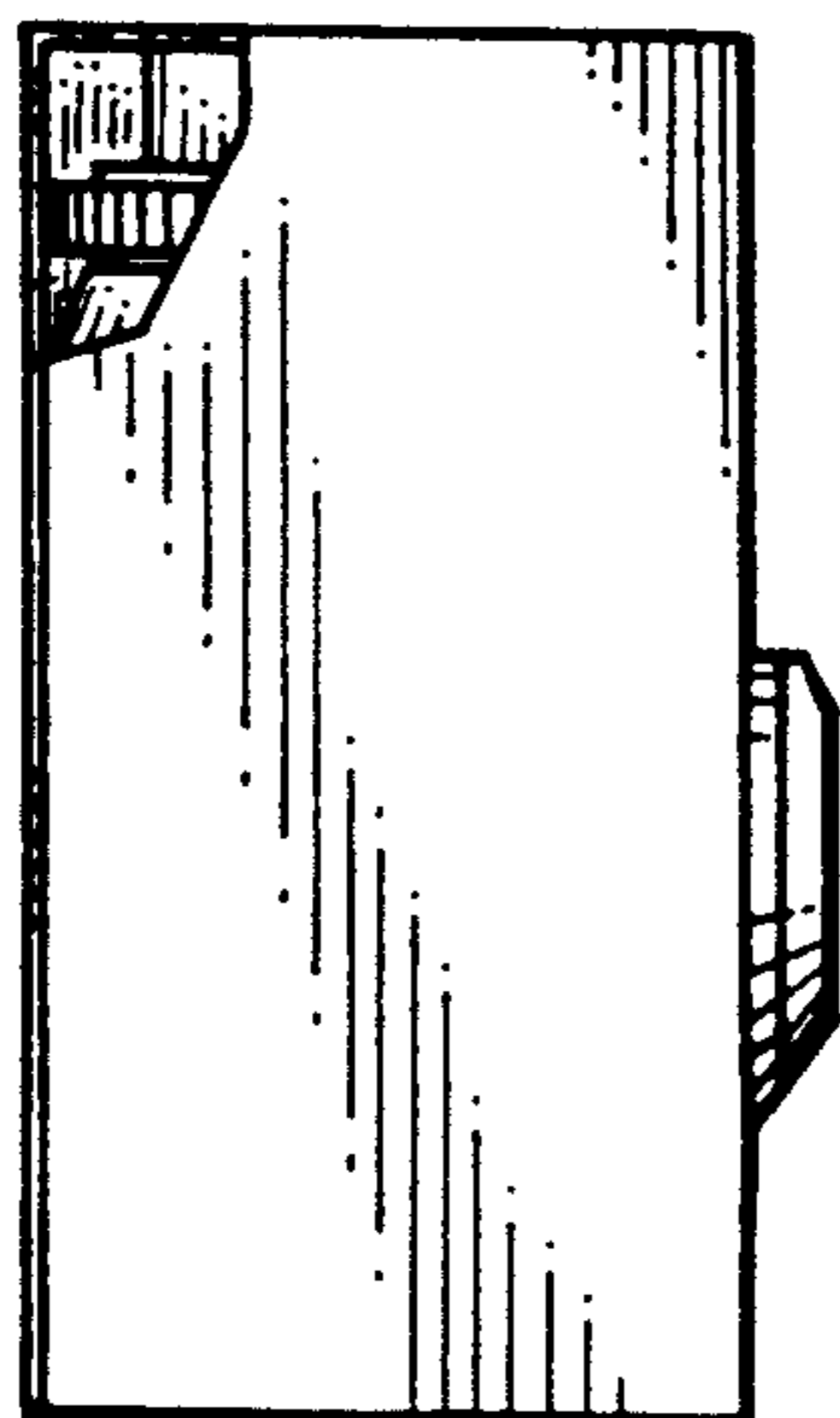


FIG. 7

