



US00D345749S

United States Patent [19] Hofmann-Igl

[11] Patent Number: **Des. 345,749**
[45] Date of Patent: **** Apr. 5, 1994**

[54] **MICROSCOPE**

[75] Inventor: **Ernest Hofmann-Igl, Davos-Platz, Switzerland**

[73] Assignee: **Leica Mikroskopie und Systeme GmbH, Wetzlar, Fed. Rep. of Germany**

[**] Term: **14 Years**

[21] Appl. No.: **893,100**

[22] Filed: **Jun. 5, 1992**

[30] **Foreign Application Priority Data**

Dec. 7, 1991 [DE] Fed. Rep. of Germany M 91 08 661

[52] U.S. Cl. **D16/131**

[58] Field of Search 359/368, 376, 377, 381, 359/388, 385, 390, 393; D16/130-131

[56] **References Cited**

U.S. PATENT DOCUMENTS

D. 263,057	2/1982	Janke et al.	D16/131
D. 273,592	4/1984	Armbruster	D16/131
D. 276,351	11/1984	Janke et al.	D16/131
D. 296,904	7/1988	Lukaszewski	D16/131
D. 299,357	1/1989	Garnich et al.	D16/131
4,299,440	11/1981	Hodgson	D16/131
4,509,834	4/1985	Hodgson	D16/131
4,624,537	11/1986	Hanssen et al.	D16/131
4,695,137	9/1987	Jörgens et al.	D16/131

4,824,229	4/1989	Narita et al.	359/368
5,119,233	6/1992	Hayashi	359/390

FOREIGN PATENT DOCUMENTS

3318959 12/1983 Fed. Rep. of Germany 359/368

OTHER PUBLICATIONS

Leitz Sci. & Tech. Inf. (Germany) vol. 7, No. 6 (Jun. 1979); p. 174; Leitz Metalloplan Article by E. Hohn. The Fisher Catalog; Copyright Sep. 1990; p. 1062 Reichert-Jung Microstar IV Model 410 Microscope.

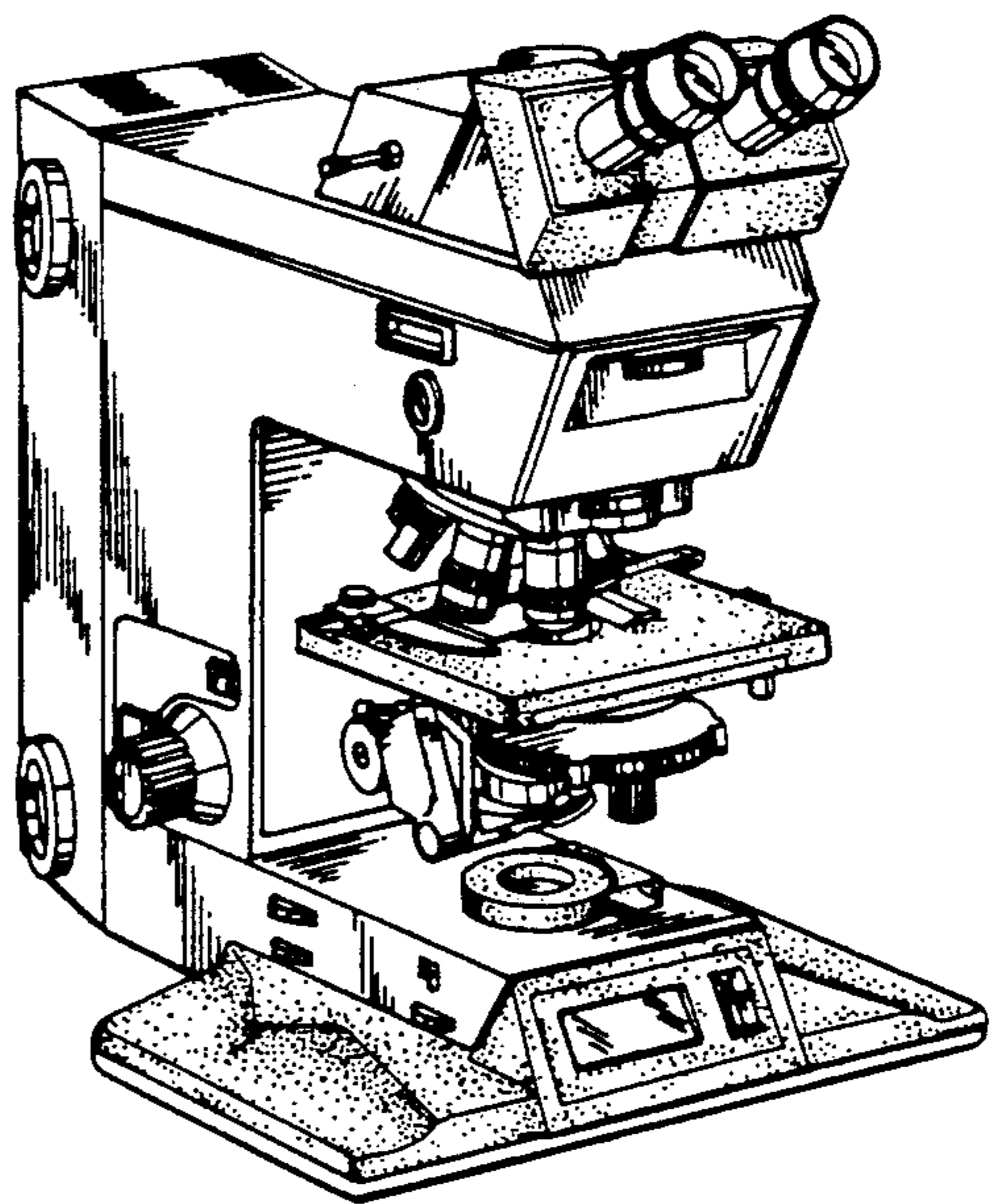
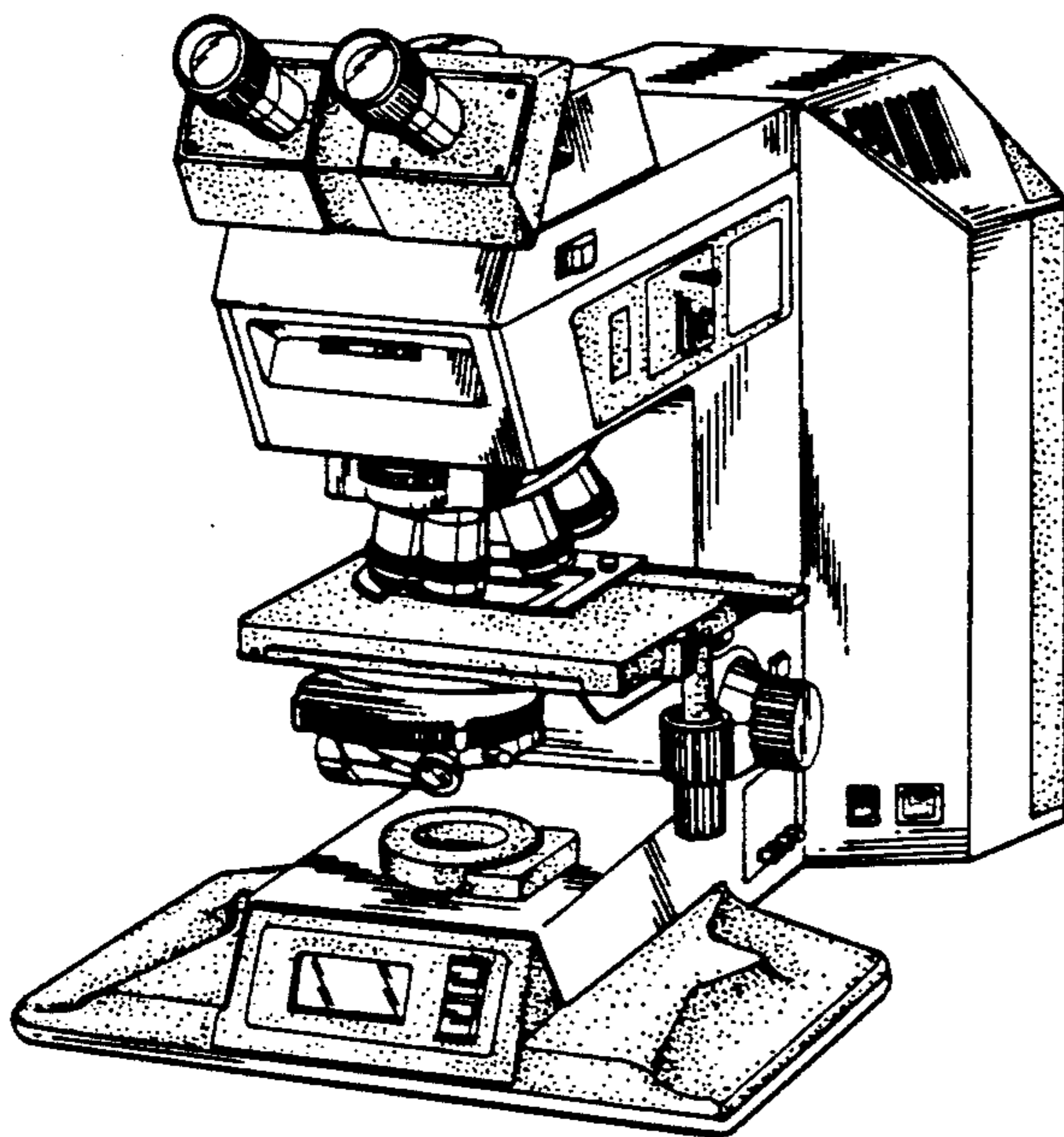
Primary Examiner—A. Hugo Word
Assistant Examiner—Cathy Anne MacCormac
Attorney, Agent, or Firm—Evenson, McKeown, Edwards & Lenahan

[57] **CLAIM**

The ornamental design for a microscope, as shown and described.

DESCRIPTION

FIG. 1 is a perspective view of a microscope embodying my new design;
FIG. 2 is a second perspective view of the microscope of FIG. 1;
FIG. 3 is a right side elevation view thereof;
FIG. 4 is a left side elevation view thereof;
FIG. 5 is a front elevation view thereof;
FIG. 6 is a top plan view thereof; and,
FIG. 7 is a rear view thereof.



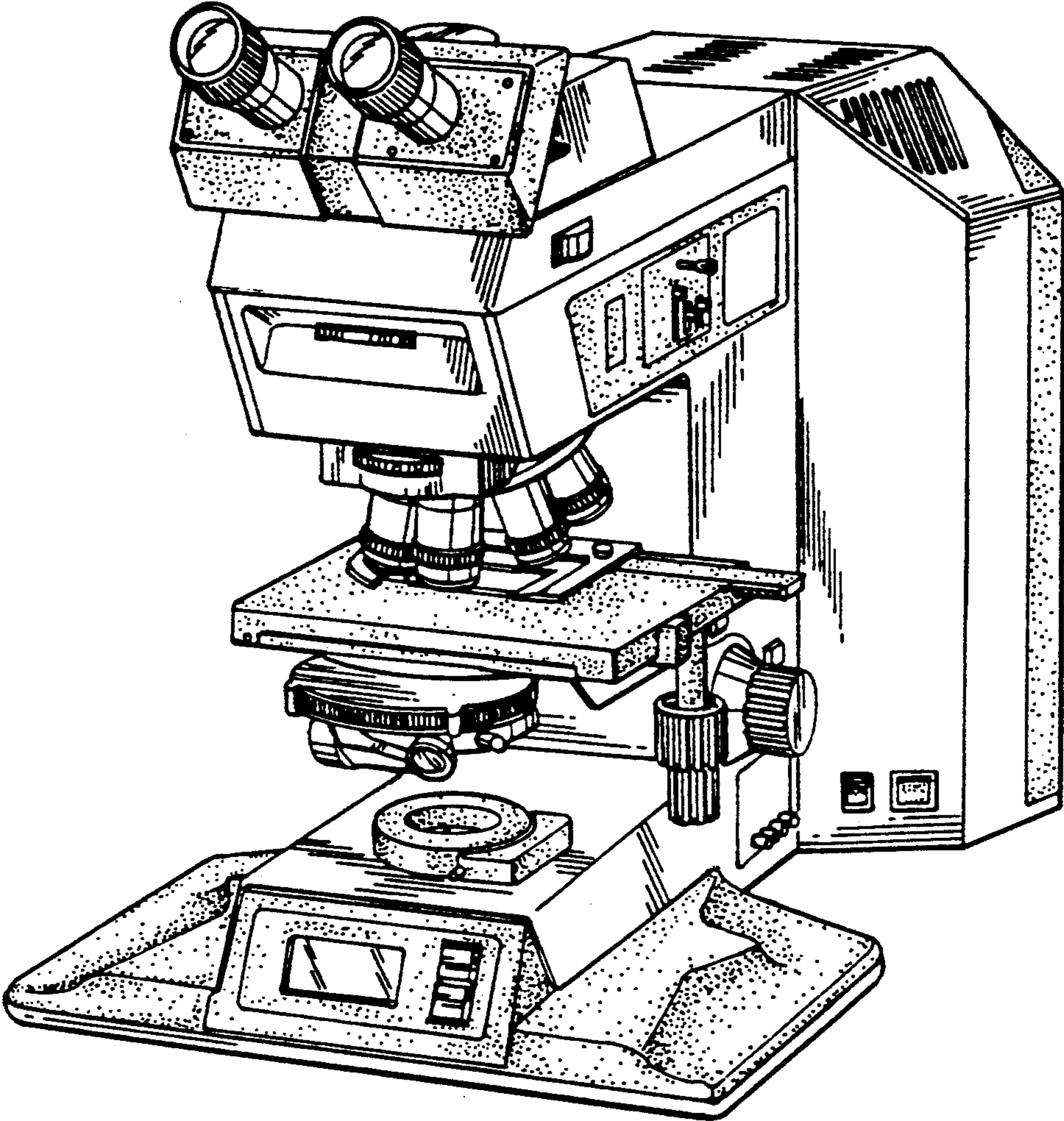


FIG. 1

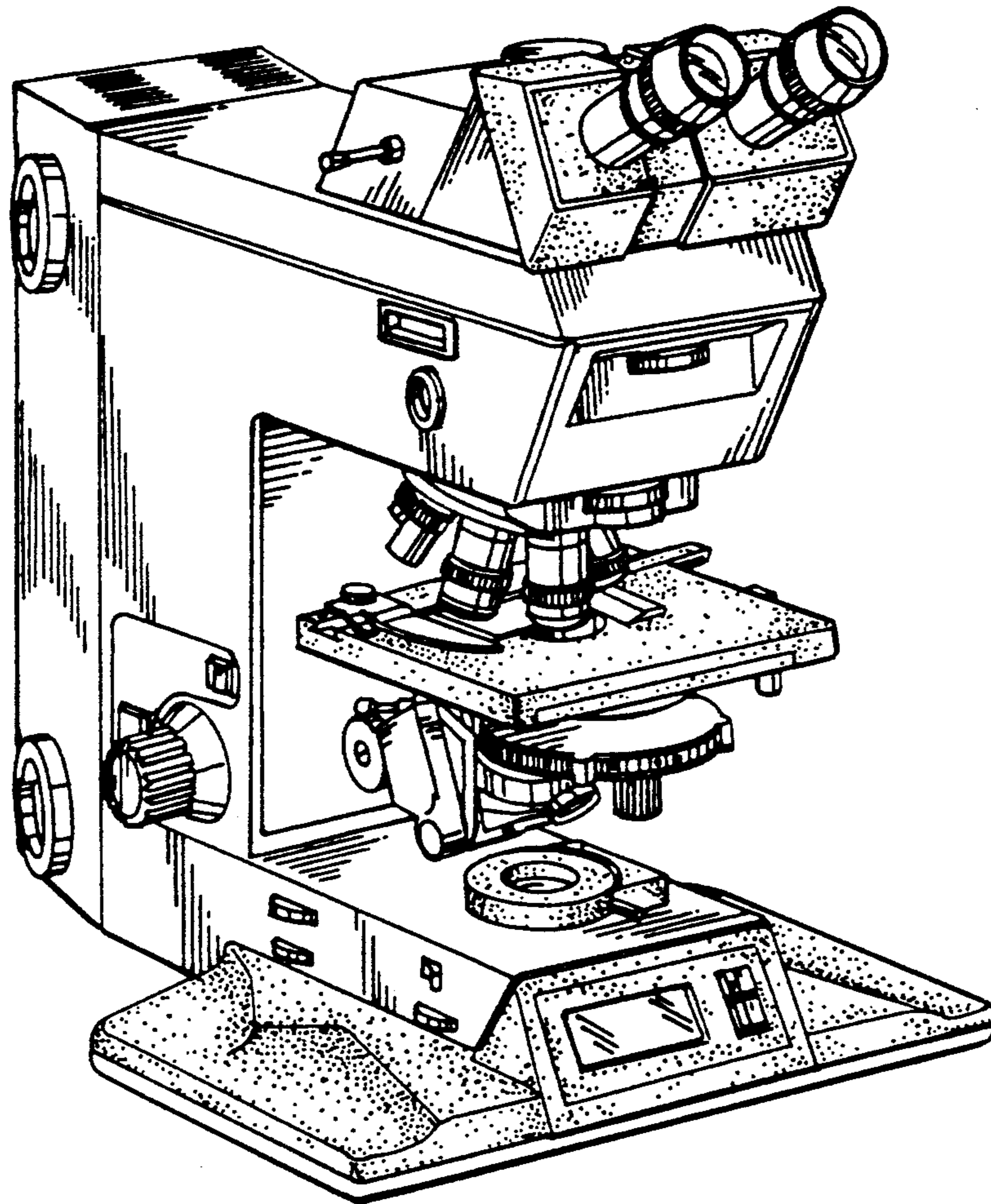


FIG. 2

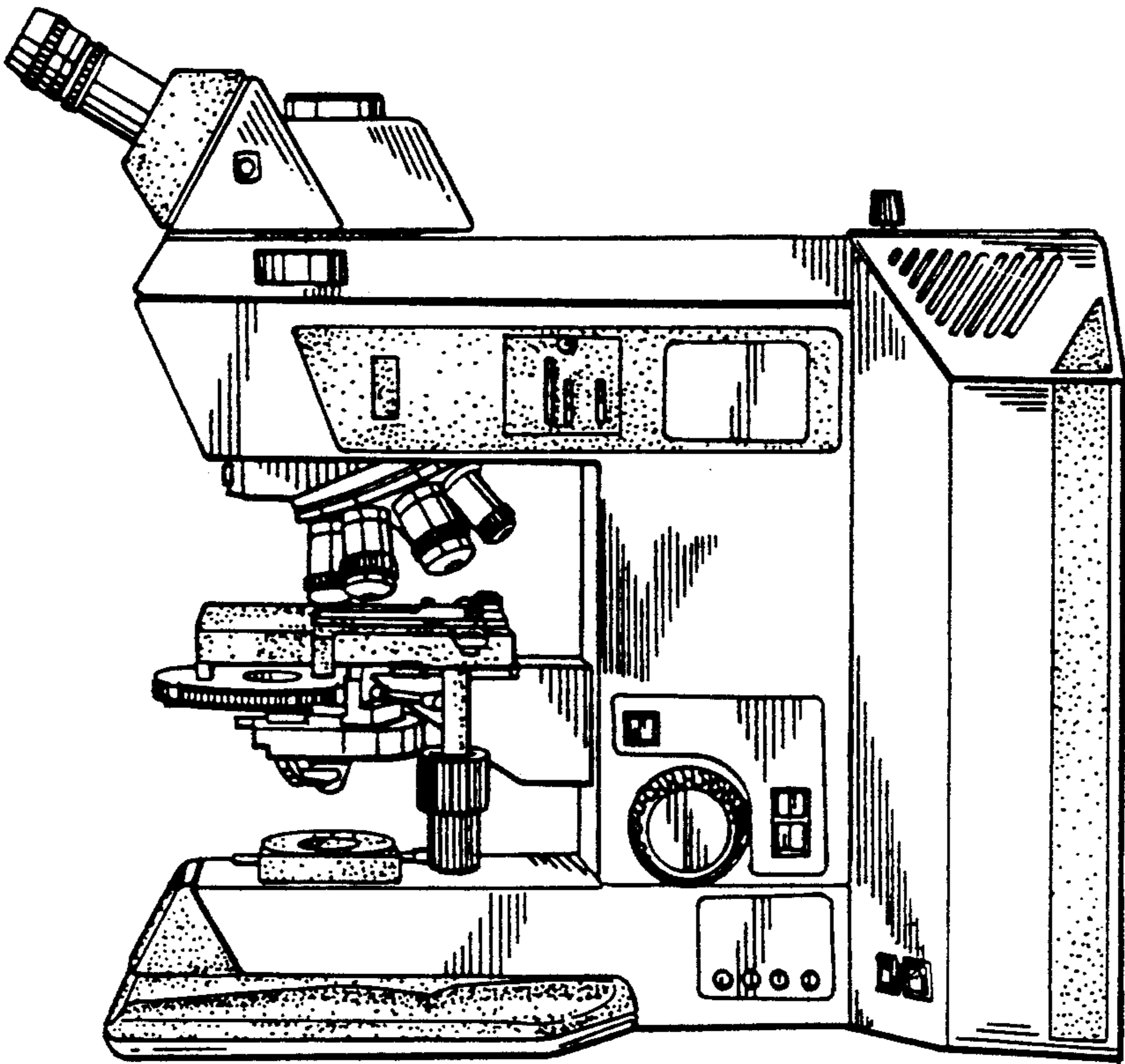


FIG. 3

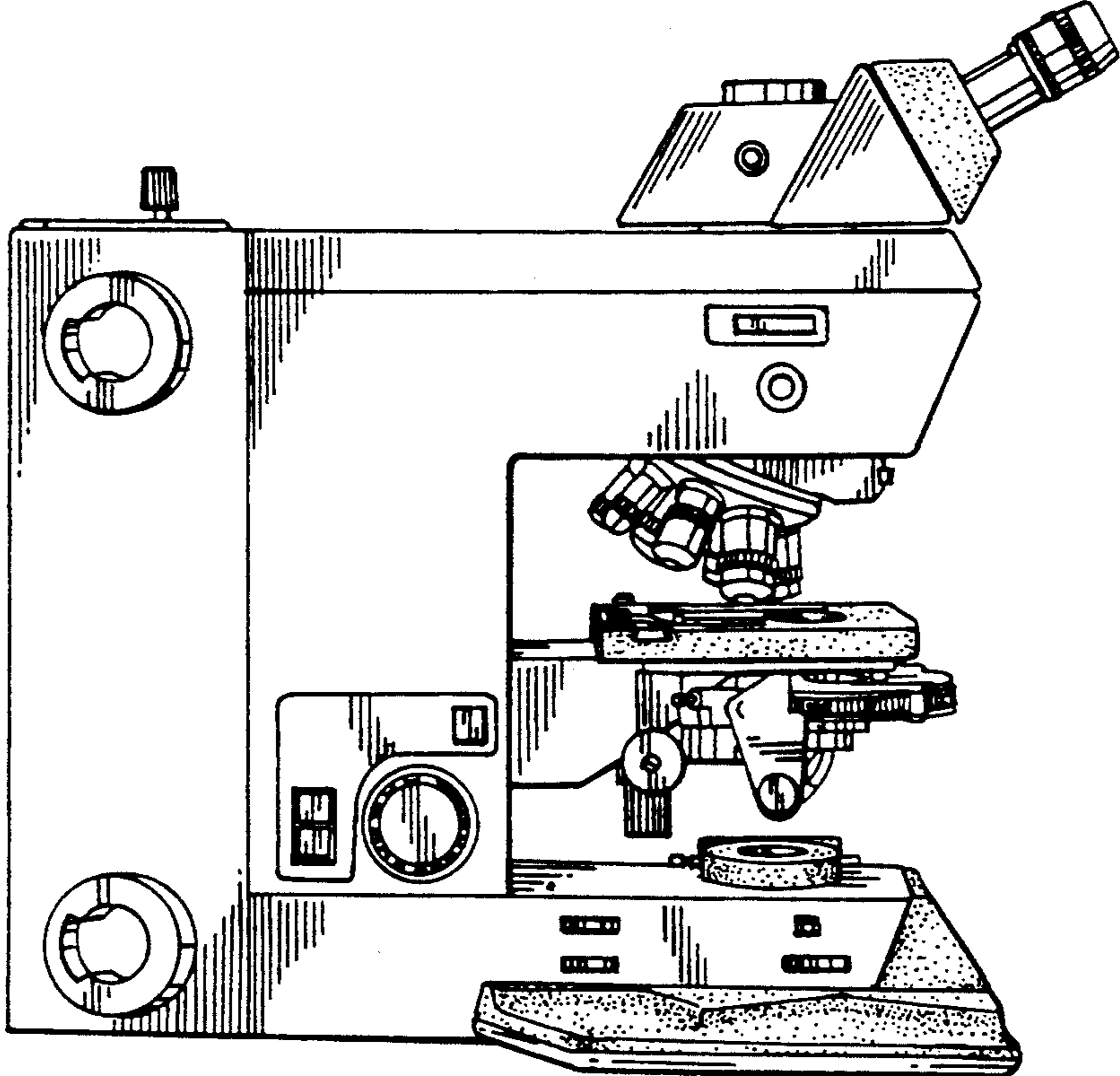


FIG. 4

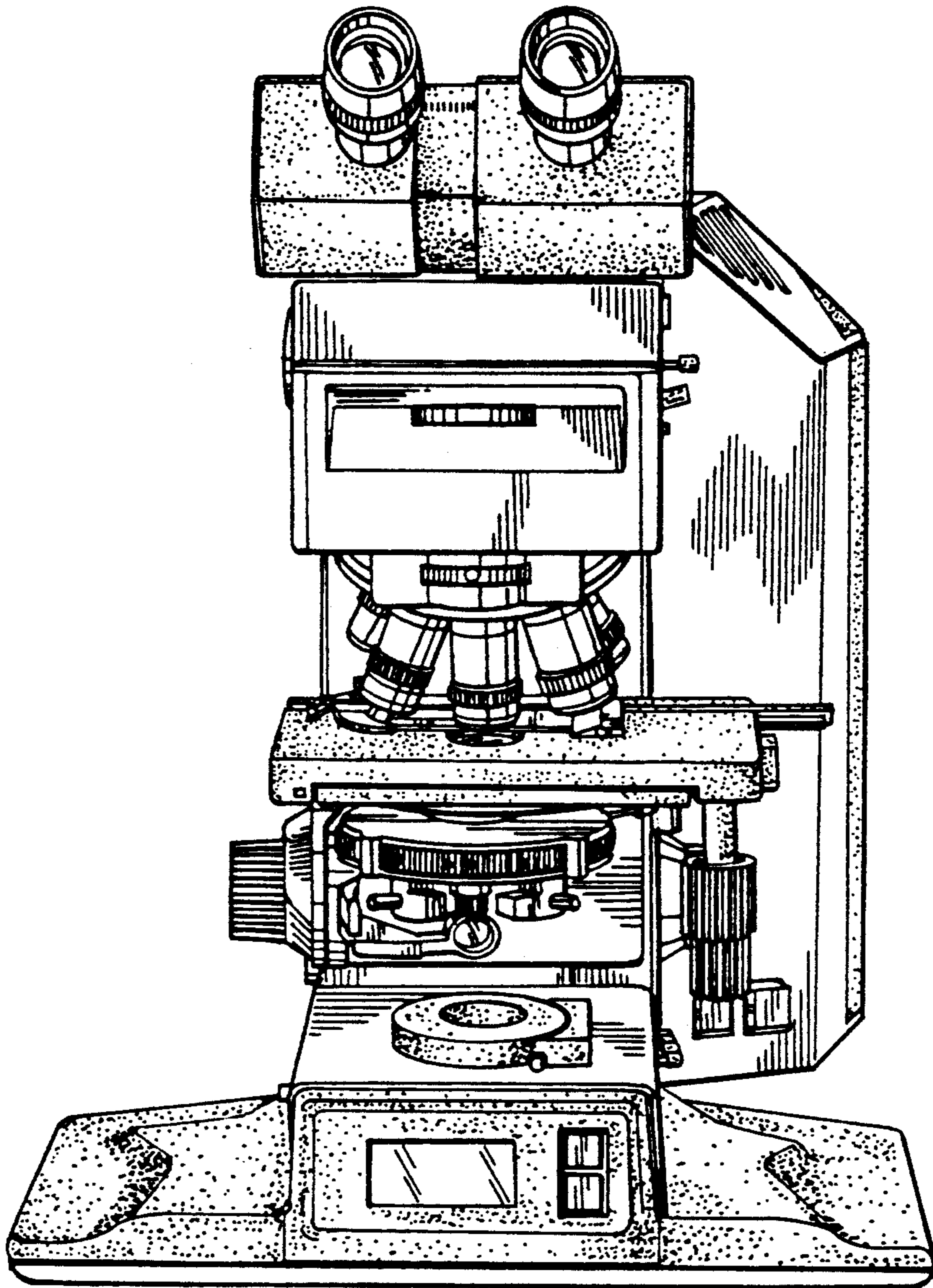


FIG. 5

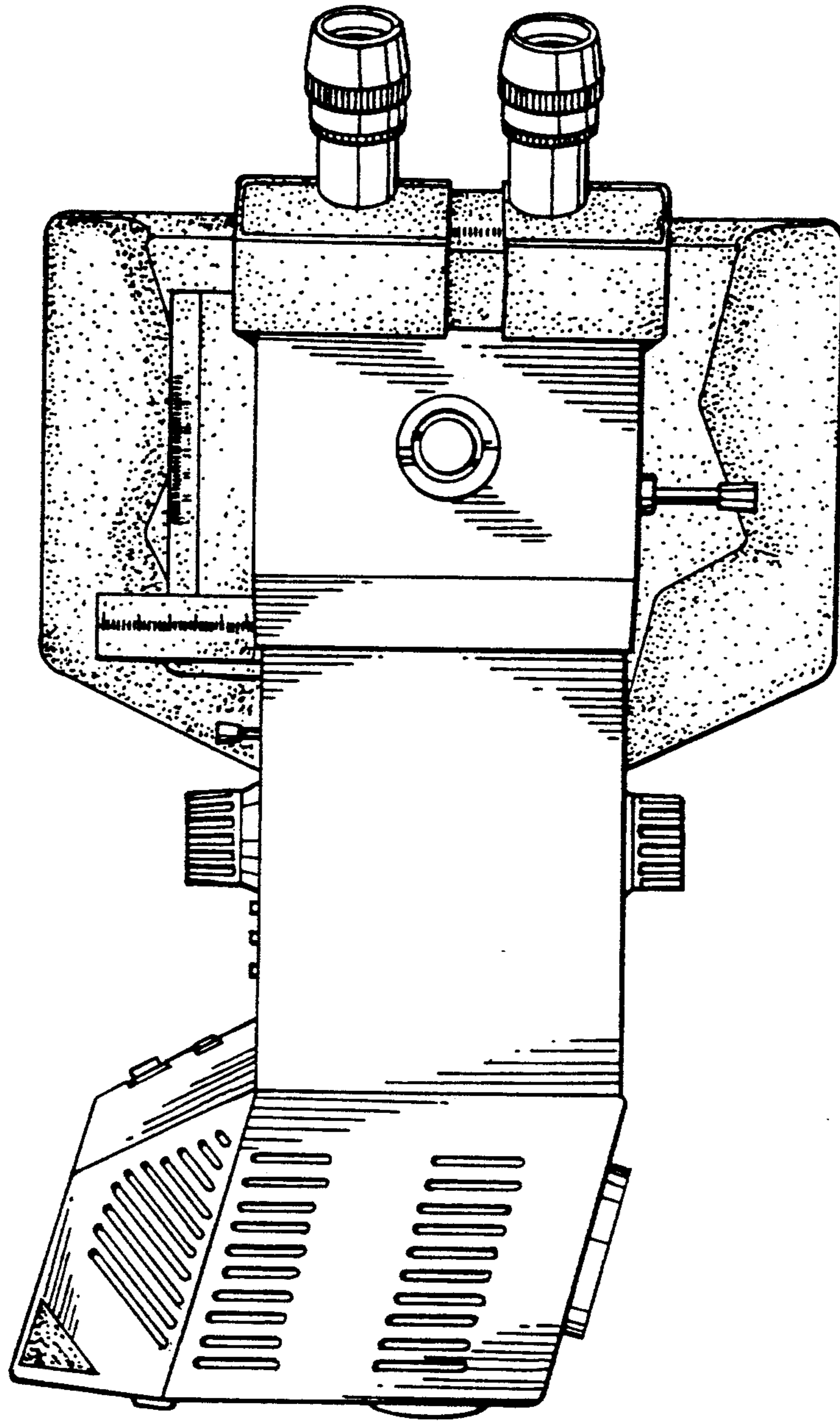


FIG. 6

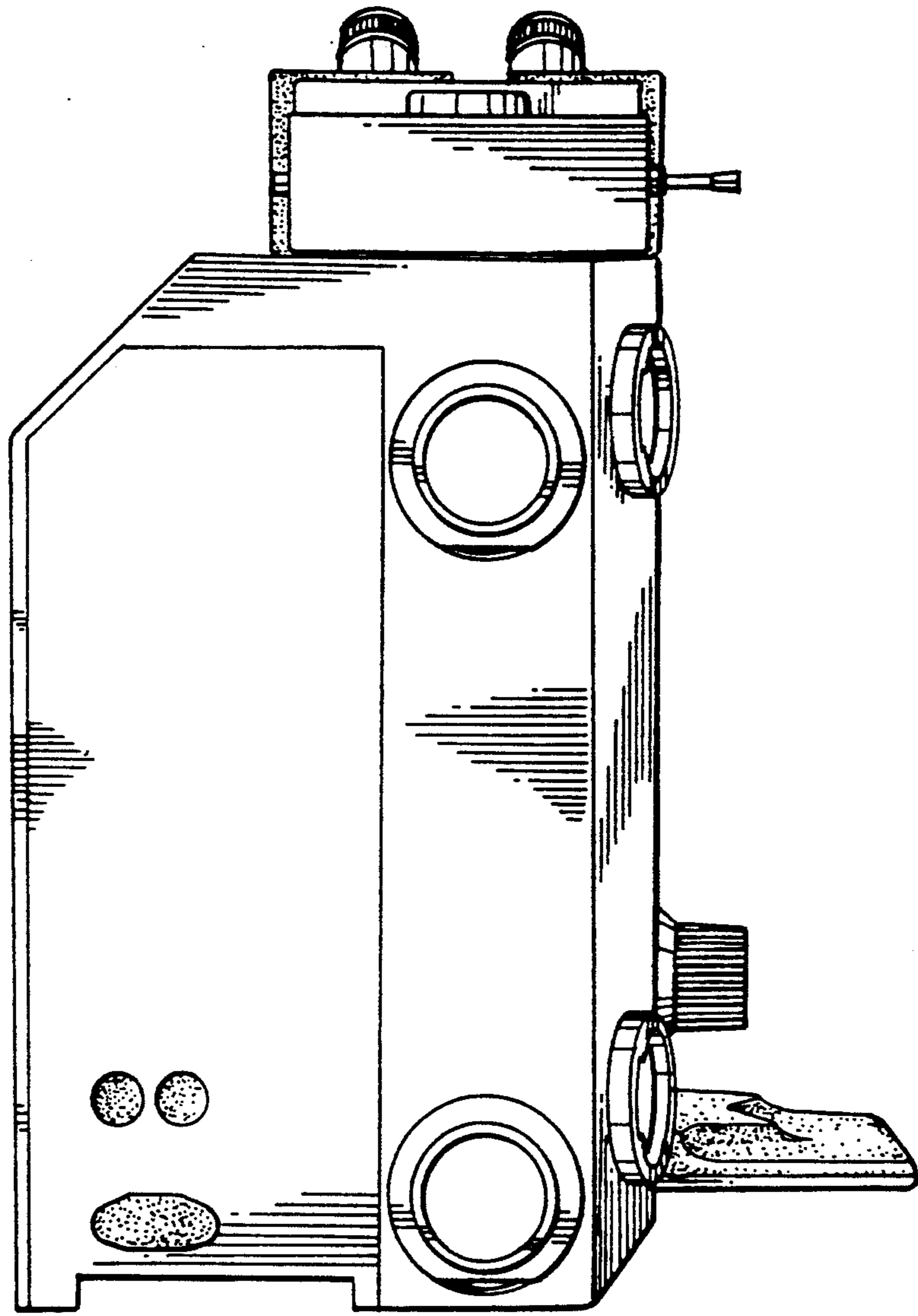


FIG. 7