



US00D345748S

United States Patent [19]

[11] Patent Number: **Des. 345,748**

Holbl

[45] Date of Patent: **** Apr. 5, 1994**

[54] MICROSCOPE STAND

[75] Inventor: **Werner Holbl, Vienna, Austria**

[73] Assignee: **Leica Inc., Buffalo, N.Y.**

[**] Term: **14 Years**

[21] Appl. No.: **872,670**

[22] Filed: **Apr. 23, 1992**

[52] U.S. Cl. **d16/131**

[58] Field of Search 359/368, 376, 377, 381,
359/388, 385, 390, 393; D16/130-131

[56] References Cited

U.S. PATENT DOCUMENTS

D. 260,402	8/1981	Hodgson	D16/131
4,445,758	5/1984	Emmel	359/393
4,824,229	4/1989	Narita et al.	359/393
5,052,788	10/1991	Tachibana	359/368

OTHER PUBLICATIONS

Bausch & Lomb Scientific Optical Products Div. Catalog; p. 6; Microscope Stand #31-73-05.
 The Fisher Catalog; p. 1056; item B Microscope stand; (Design Library).
 The Fisher Catalog; ©Sep. 1990; p. 1046; item 12-57-2-1A Fisher Micromaster CK Service Microscope; (Design Library).

Primary Examiner—A. Hugo Word
Assistant Examiner—Cathy Anne MacCormac
Attorney, Agent, or Firm—Bean, Kauffman & Spencer

[57] CLAIM

The ornamental design for a microscope stand, as shown and described.

DESCRIPTION

FIG. 1 is a perspective view of a microscope stand showing my new design;
 FIG. 2 is a front elevational view thereof;
 FIG. 3 is a rear elevational view thereof;
 FIG. 4 is a top plan view thereof; and,
 FIG. 5 is a left side elevational view thereof.
 FIG. 1 has been drawn on an enlarged scale with respect to FIGS. 2-5.

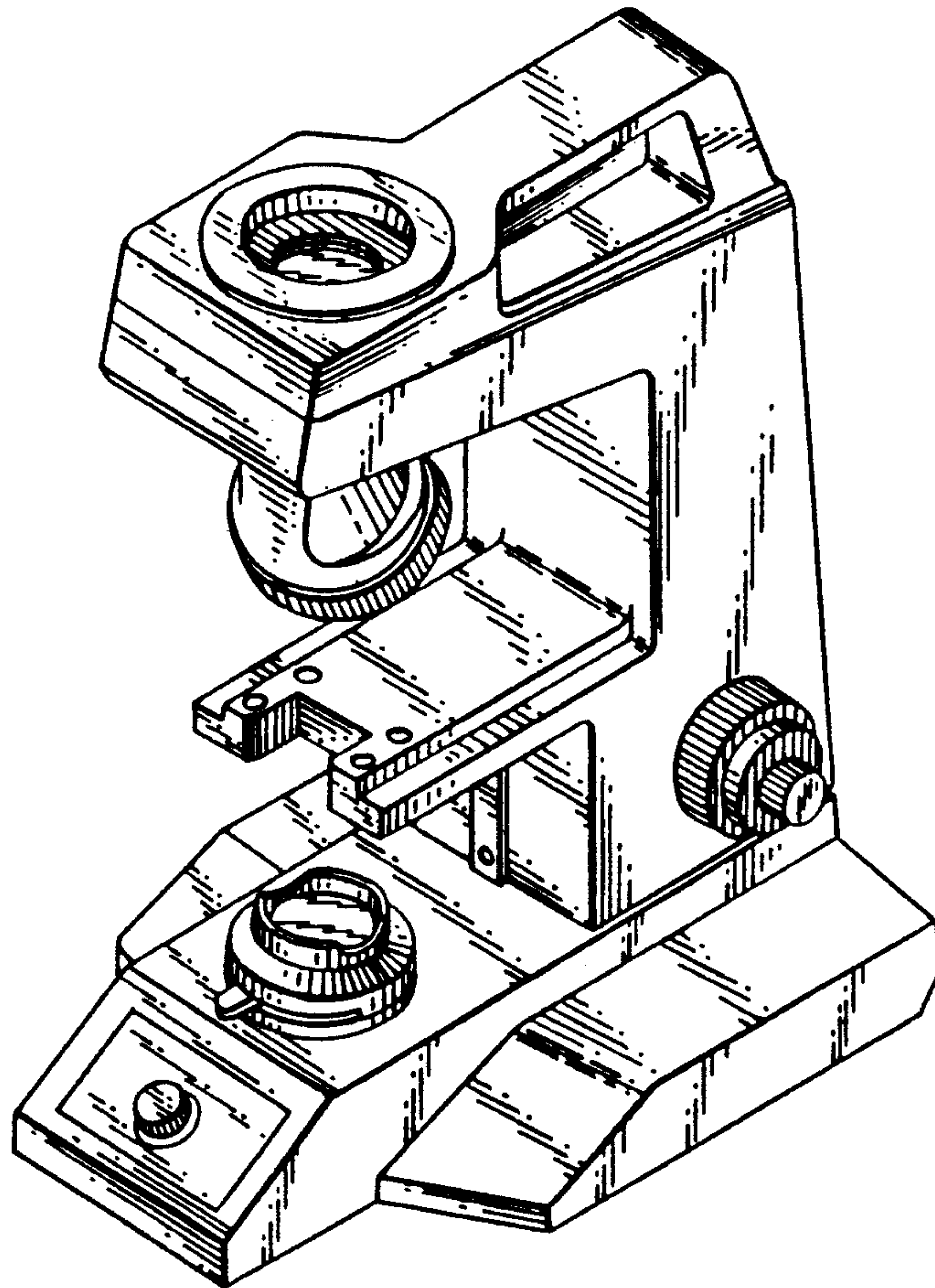


Fig. 1.

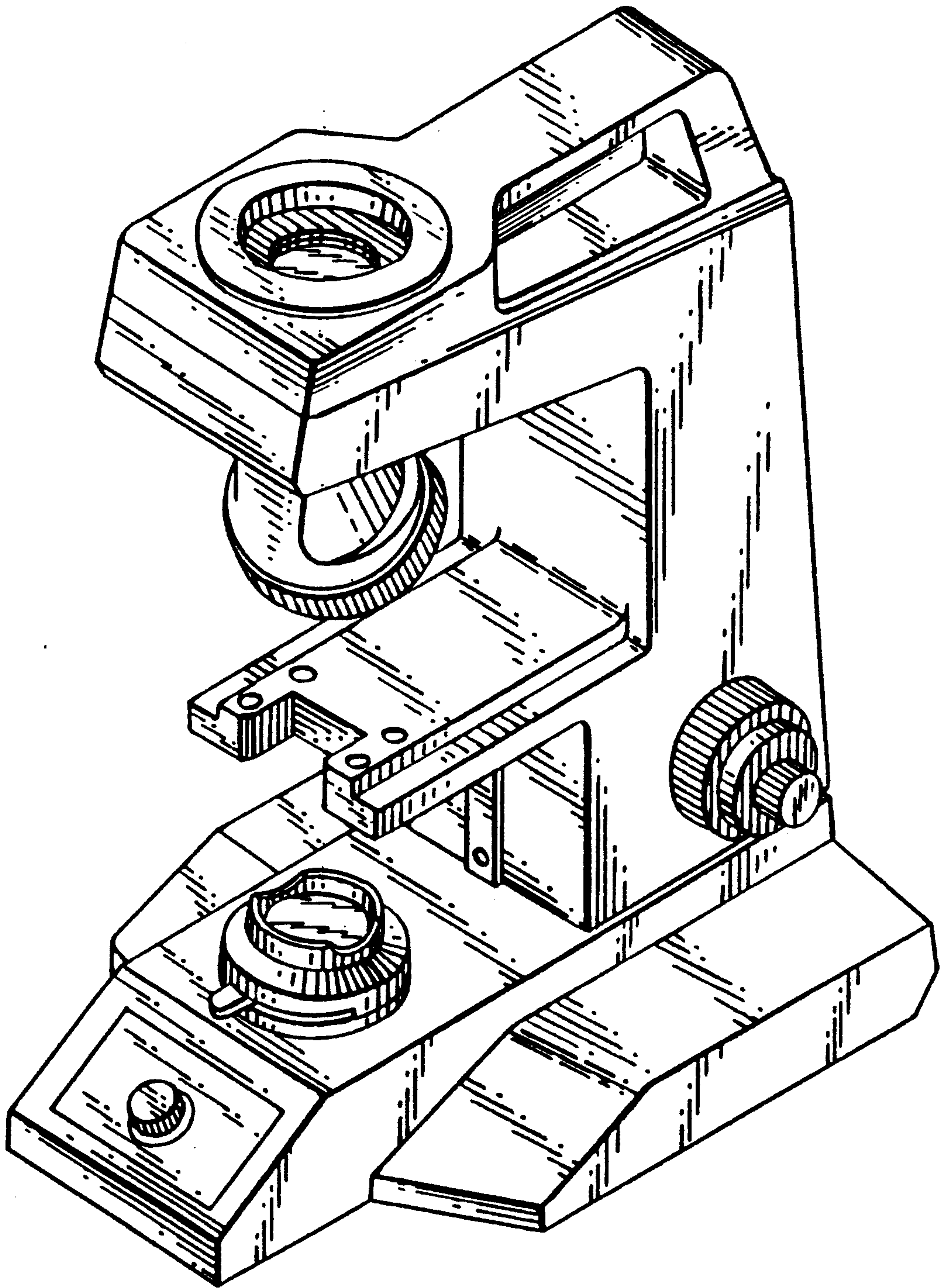


Fig. 2.

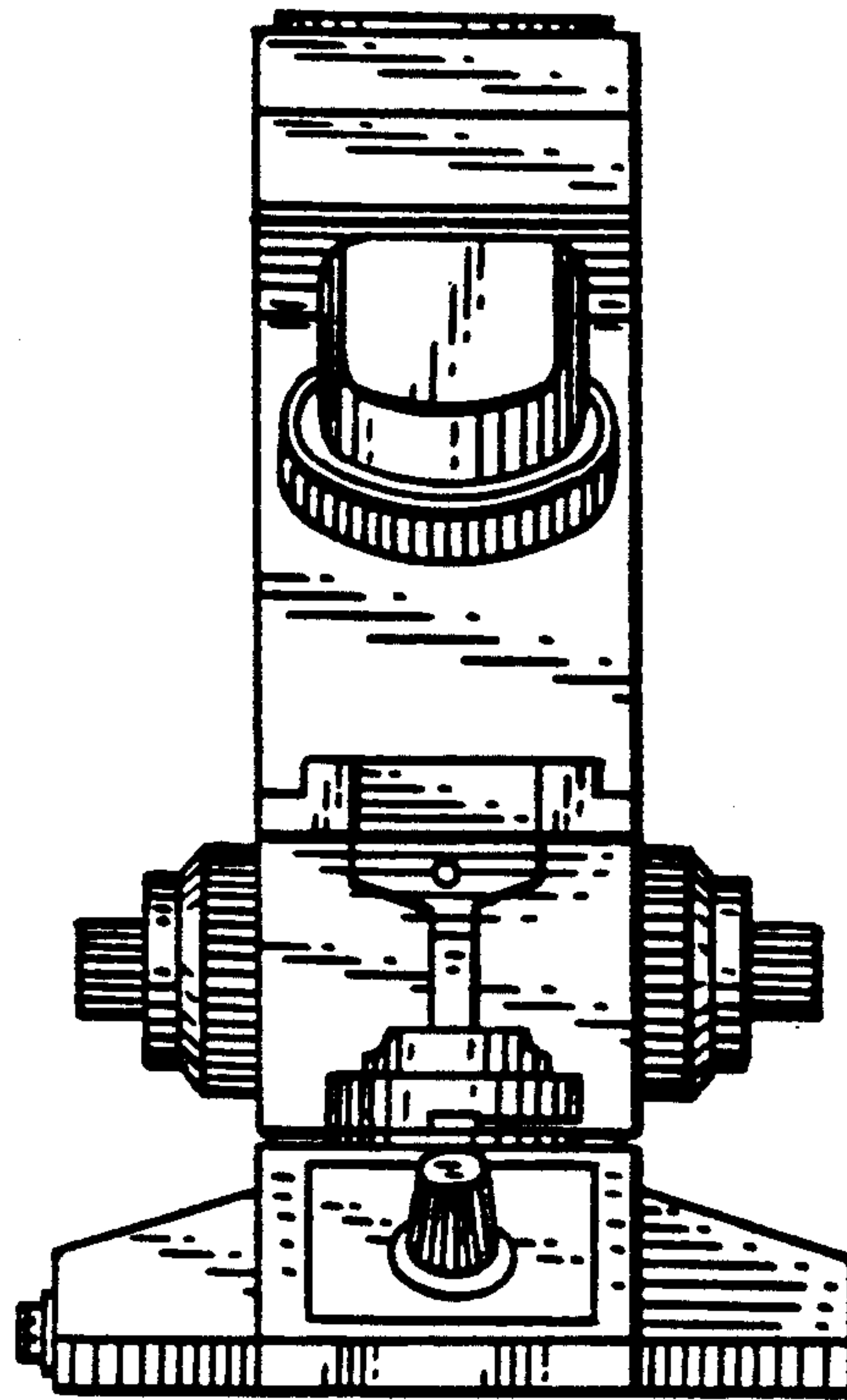


Fig. 3.

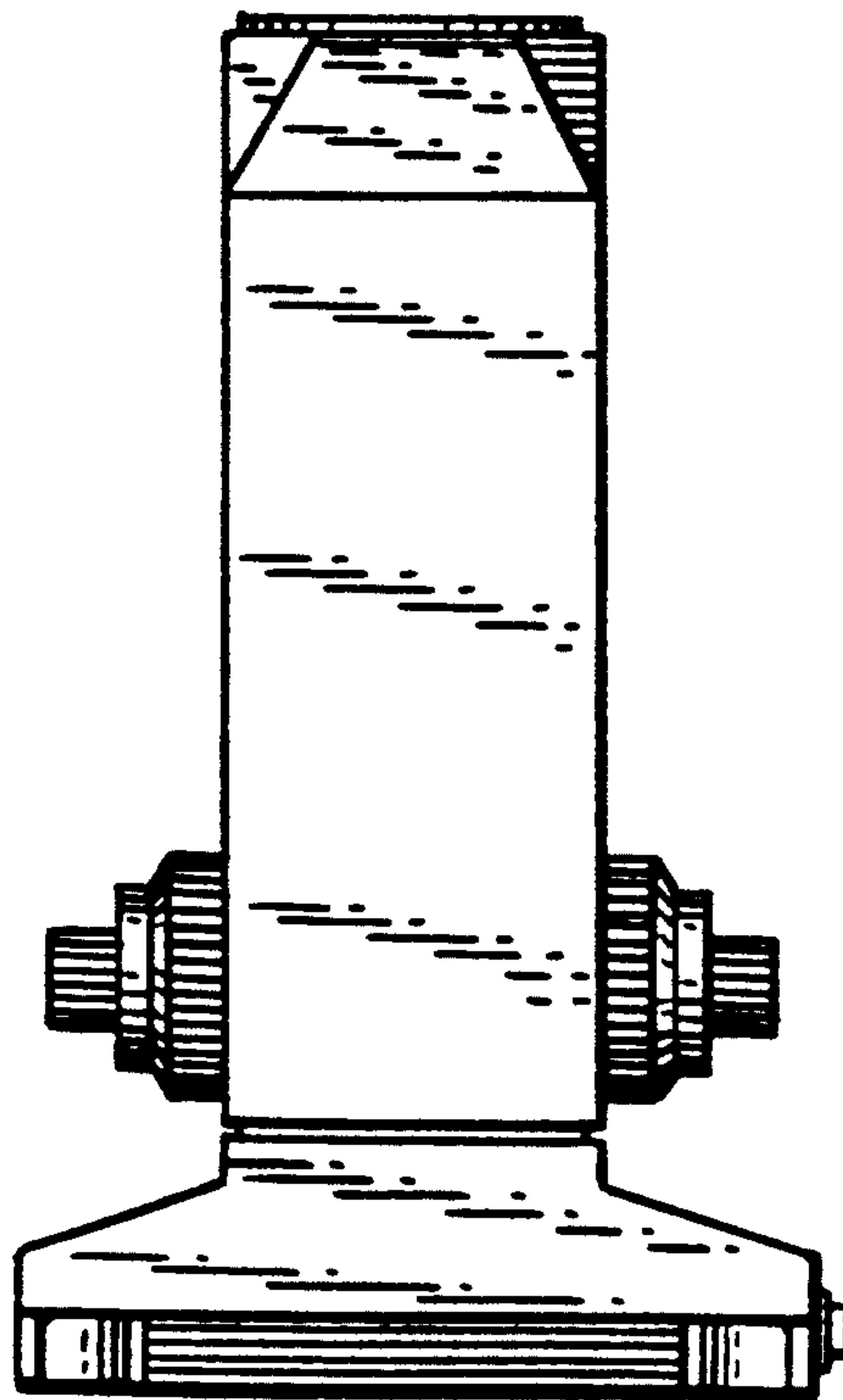


Fig. 4.

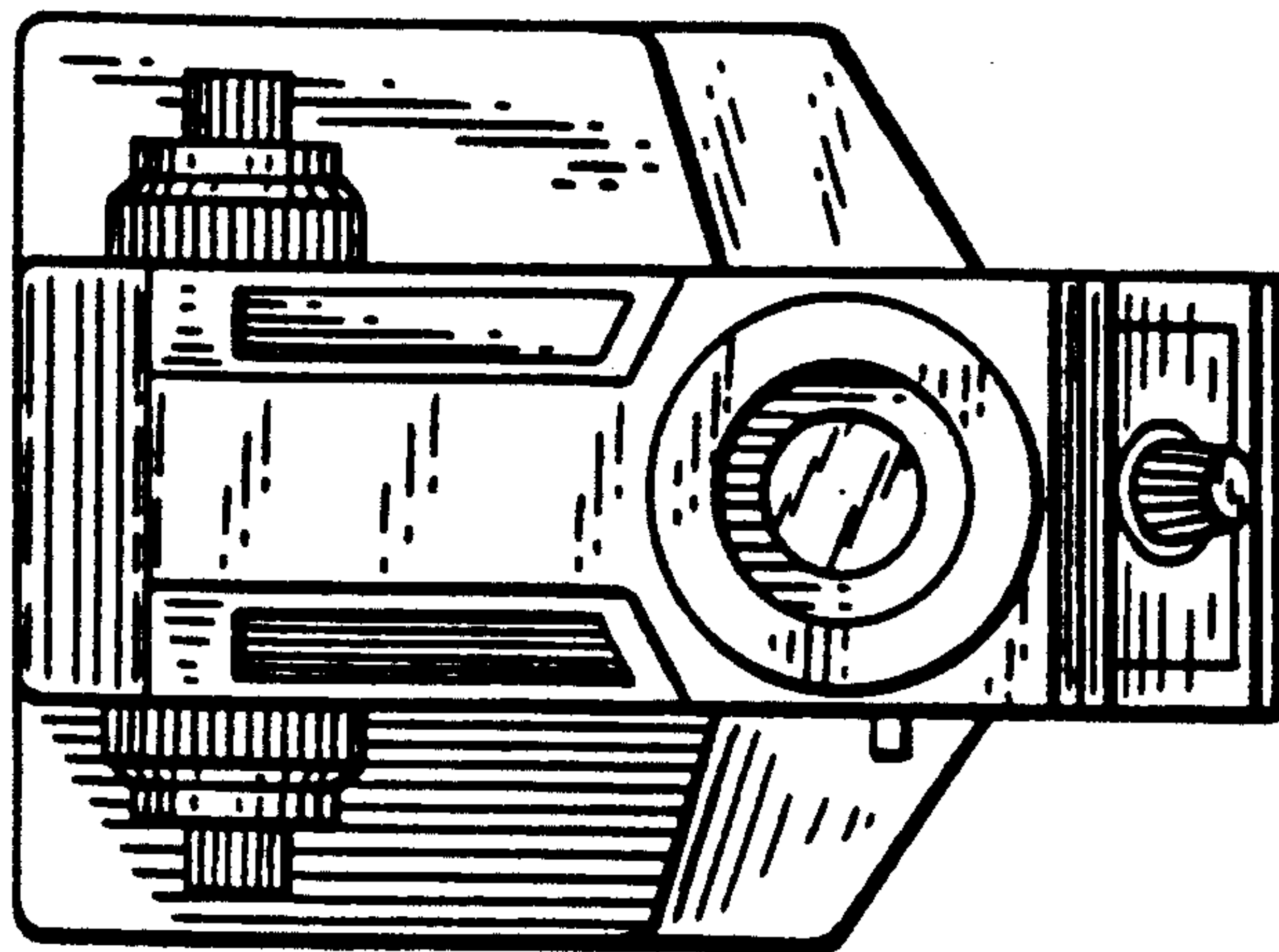


Fig. 5.

