



US00D345747S

United States Patent [19]

[11] Patent Number: **Des. 345,747**

Hölbl

[45] Date of Patent: **** Apr. 5, 1994**

[54] **COMBINED MICROSCOPE STAND AND BODY**

[75] Inventor: **Werner Hölbl, Vienna, Austria**

[73] Assignee: **Leica Inc., Buffalo, N.Y.**

[**] Term: **14 Years**

[21] Appl. No.: **872,669**

[22] Filed: **Apr. 23, 1992**

[52] U.S. Cl. **D16/131**

[58] Field of Search **359/368, 376, 377, 381, 359/388, 385, 390, 393; D16/130-131**

[56] **References Cited**

U.S. PATENT DOCUMENTS

D. 257,358	10/1980	Armbruster	D16/131
D. 258,312	2/1981	Parker	D16/131
D. 260,402	8/1981	Hodgson	D16/131
D. 265,206	6/1982	Weber et al.	D16/131
4,445,758	5/1984	Emmel	359/393
4,557,568	12/1985	Van Benschoten	D16/131
4,824,229	4/1989	Narita et al.	359/393
5,119,233	6/1992	Hayashi	359/385

OTHER PUBLICATIONS

Zeiss-Information; Apr. 1981; p. 4; Compact Transmitted-light Microscope KM.

Fisher Catalog; ©1990; p. 1046; Fisher Micromaster CK Series Microscopes.

Fisher Catalog; ©1990; p. 1061; Cambridge Stratalab Microscopes.

Primary Examiner—A. Hugo Word
Assistant Examiner—Cathy Anne MacComac
Attorney, Agent, or Firm—Bean, Kauffman & Spencer

[57] **CLAIM**

The ornamental design for a combined microscope stand and body, as shown and described.

DESCRIPTION

FIG. 1 is a perspective view of a combined microscope stand and body showing a preferred embodiment of my new design;

FIG. 2 is a front elevational view thereof;

FIG. 3 is a rear elevational view thereof;

FIG. 4 is a top plan view thereof;

FIG. 5 is a left side elevational view thereof;

FIG. 6 is a perspective view of a combined microscope stand and body showing another embodiment of my new design;

FIG. 7 is a front elevational view thereof;

FIG. 8 is a rear elevational view thereof;

FIG. 9 is a top plan view thereof;

FIG. 10 is a left side elevational view thereof;

FIG. 11 is a perspective view of a combined microscope stand and body showing still another embodiment of my new design;

FIG. 12 is a front elevational view thereof;

FIG. 13 is a rear elevational view thereof;

FIG. 14 is a top plan view thereof; and,

FIG. 15 is a left side elevational view thereof.

FIGS. 1, 6 and 11 have been drawn on an enlarged scale with respect to the remaining figures.

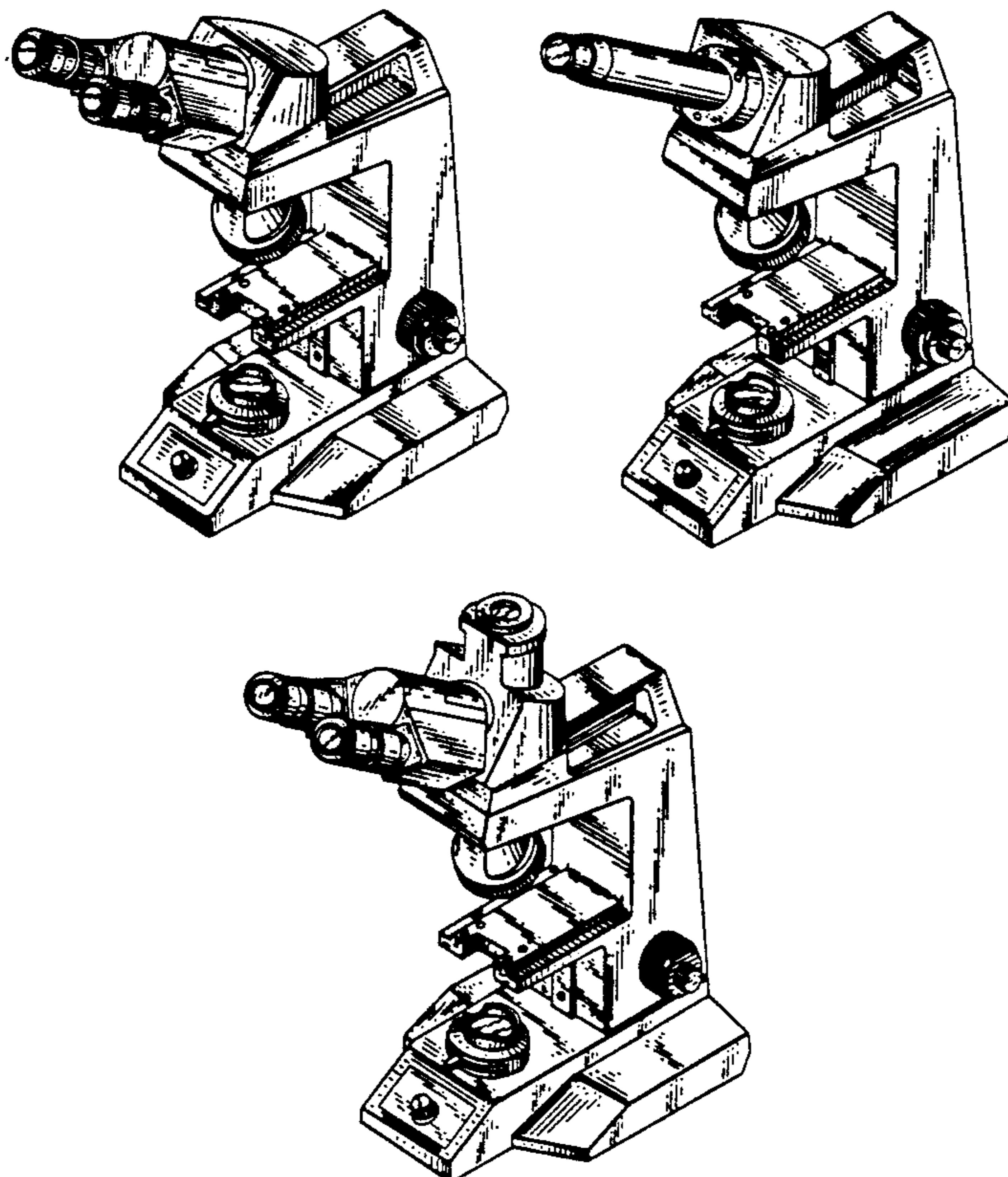


Fig. 1.

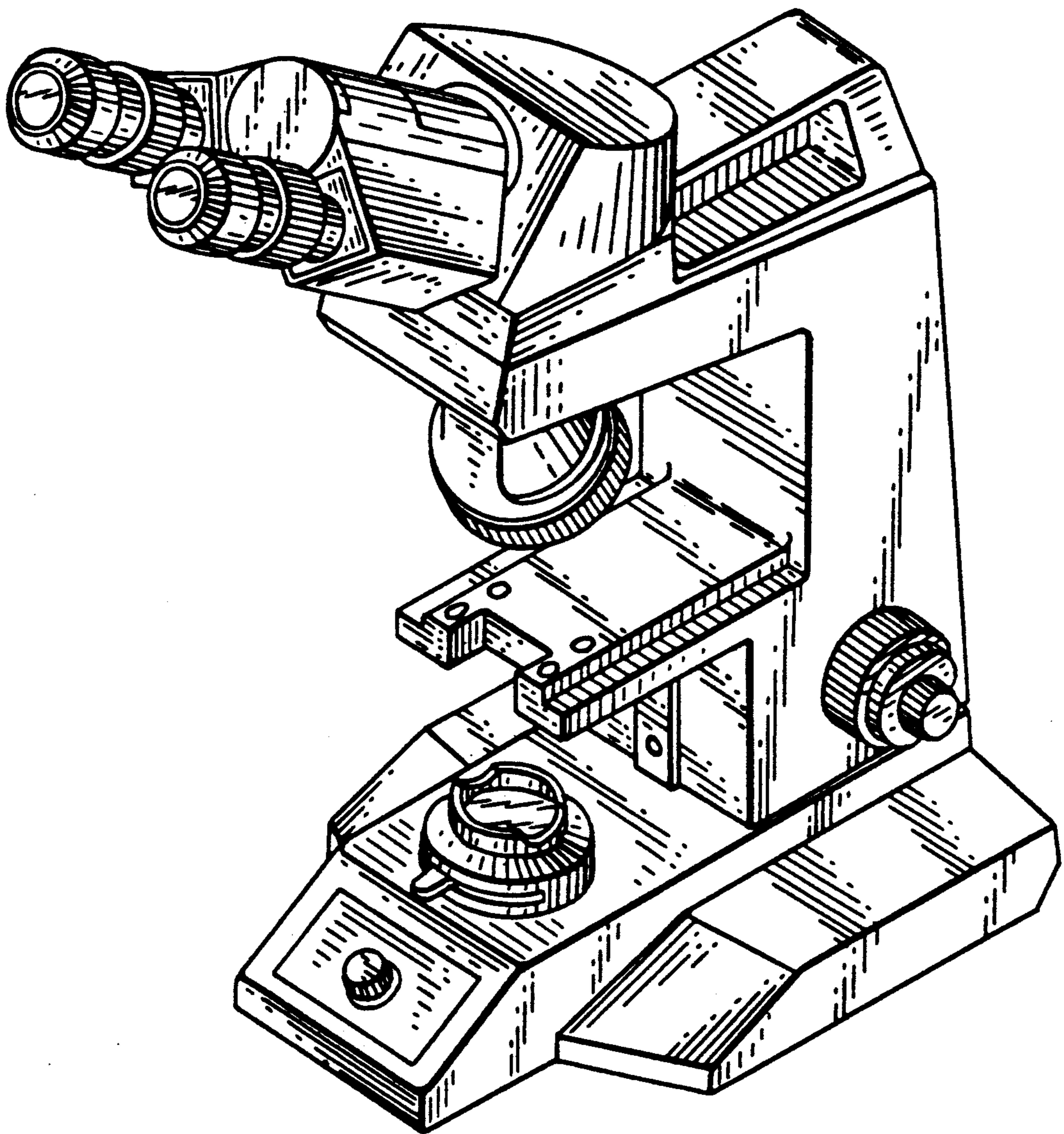


Fig. 2.

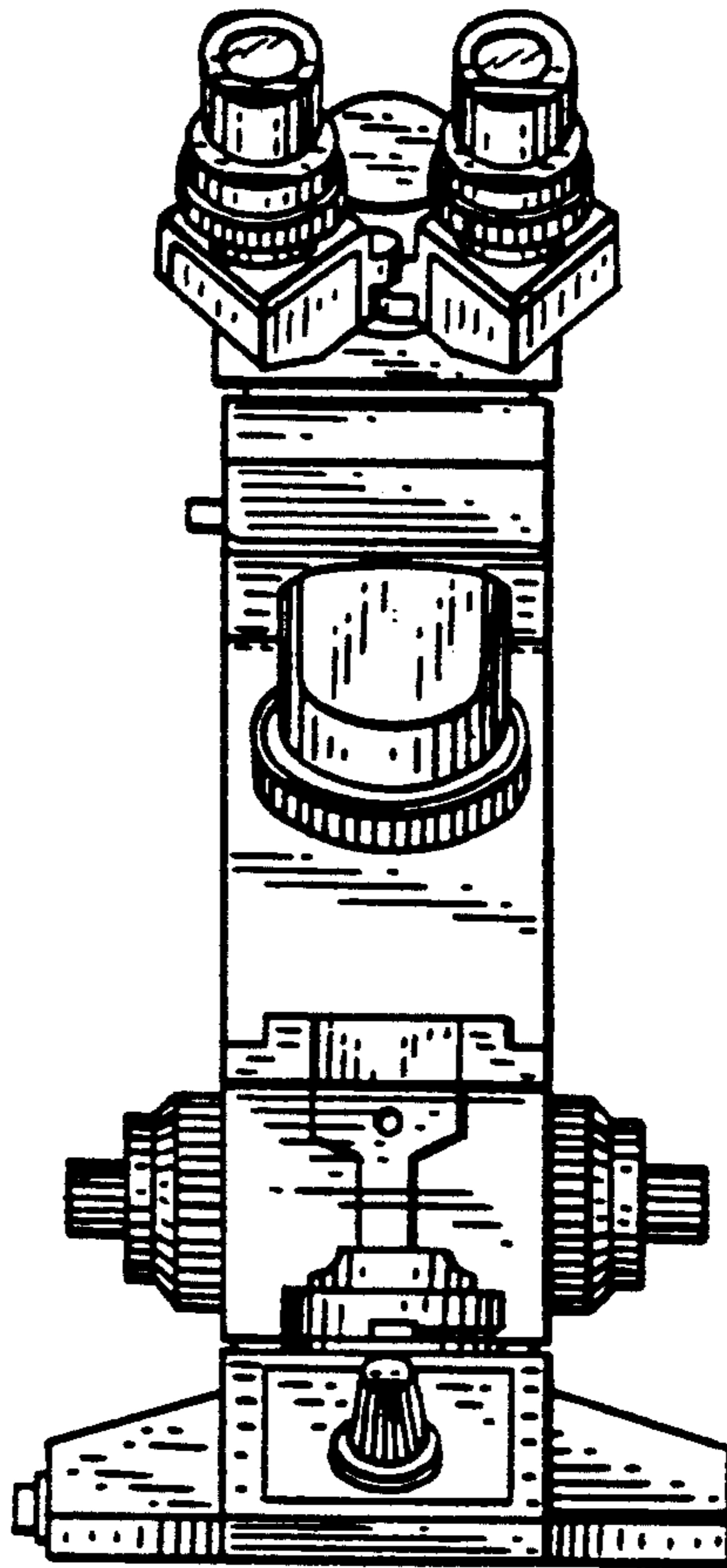


Fig. 3.

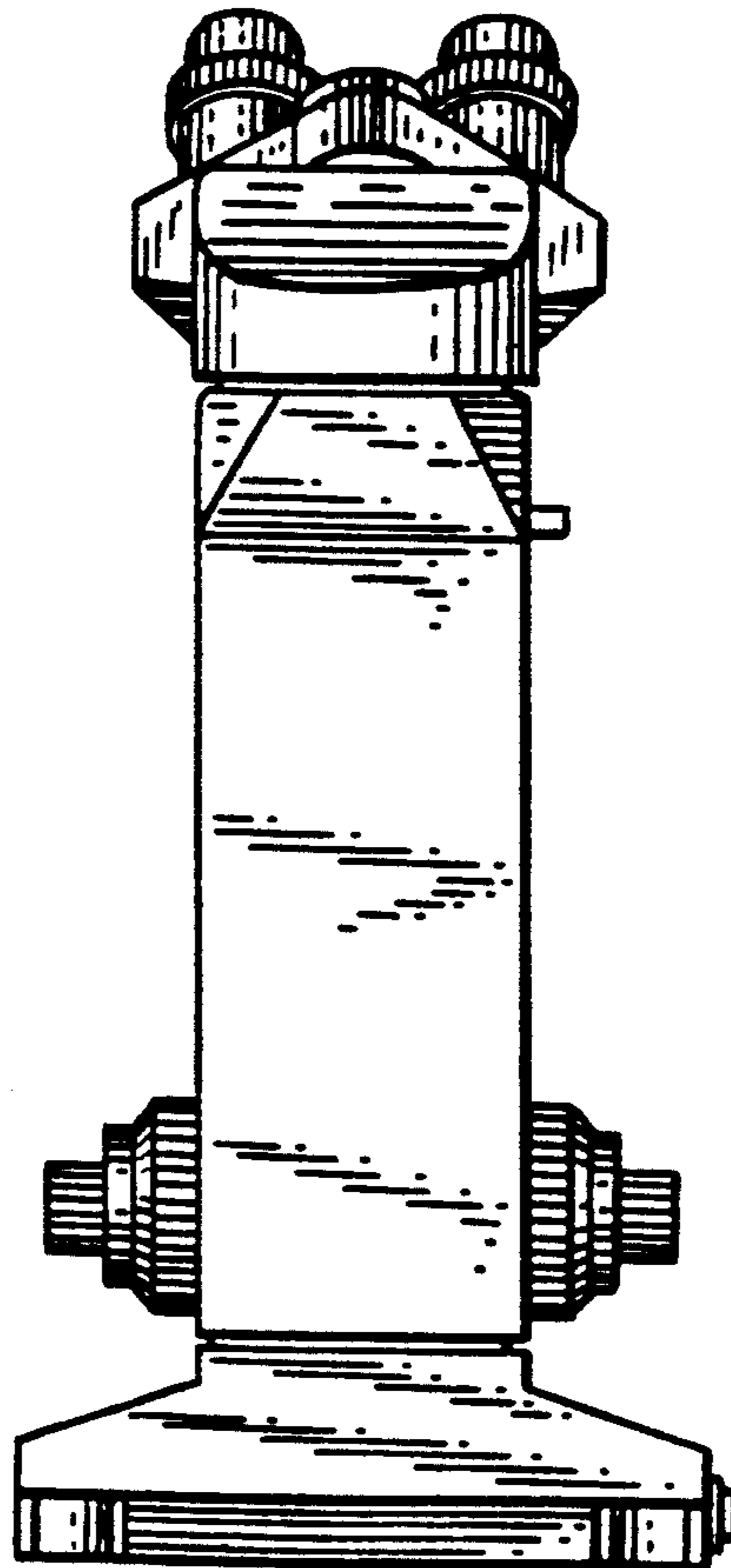


Fig. 4.

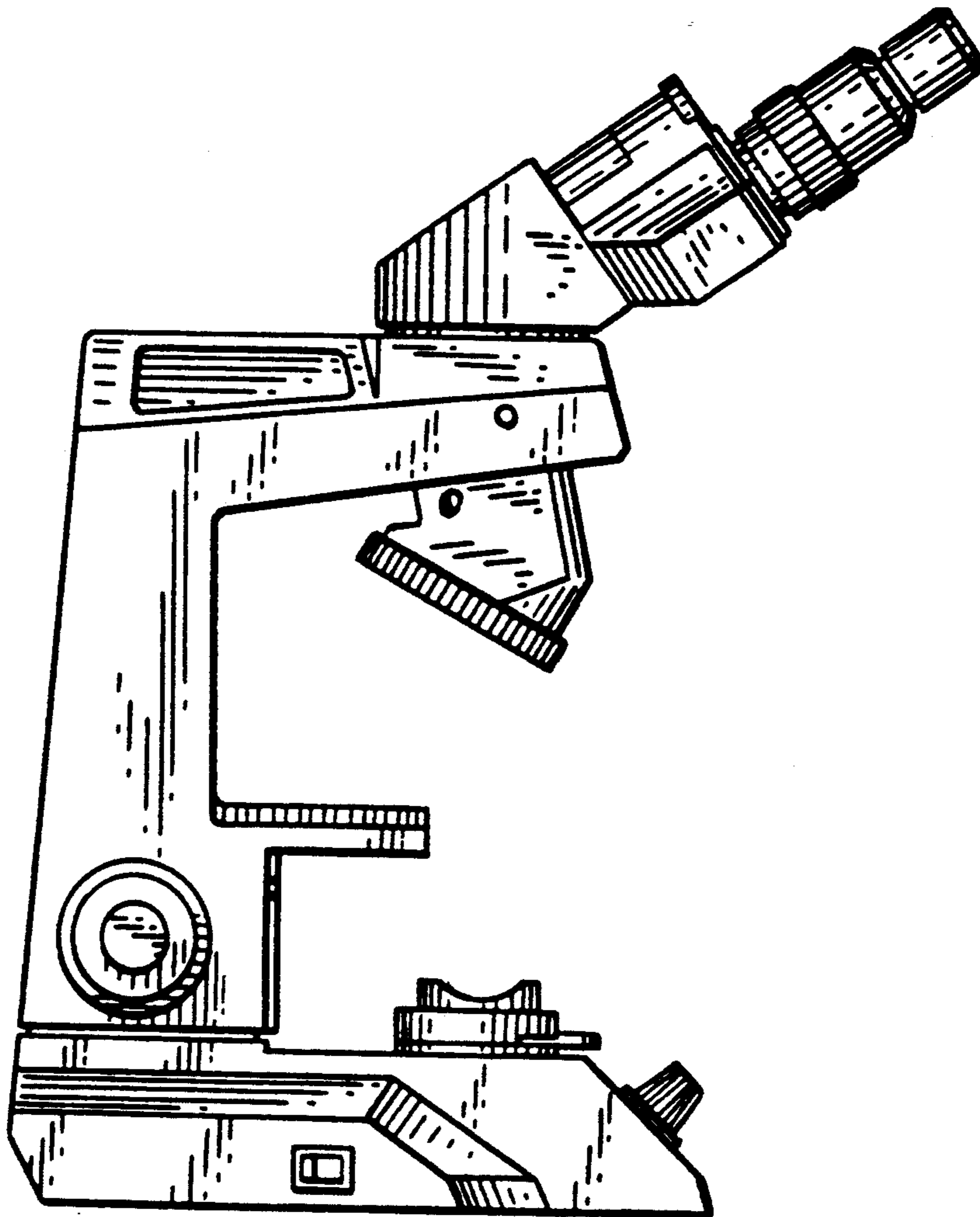
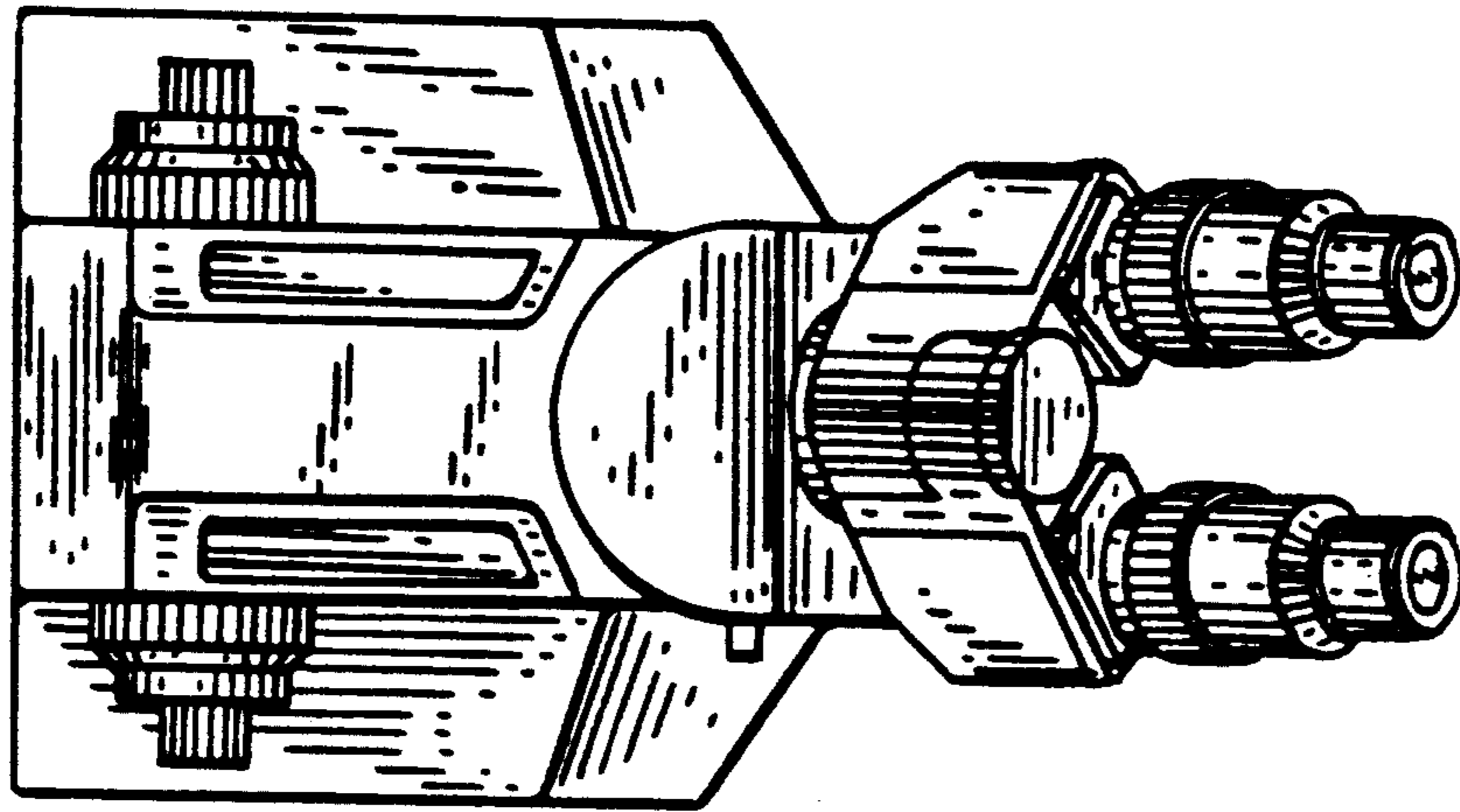
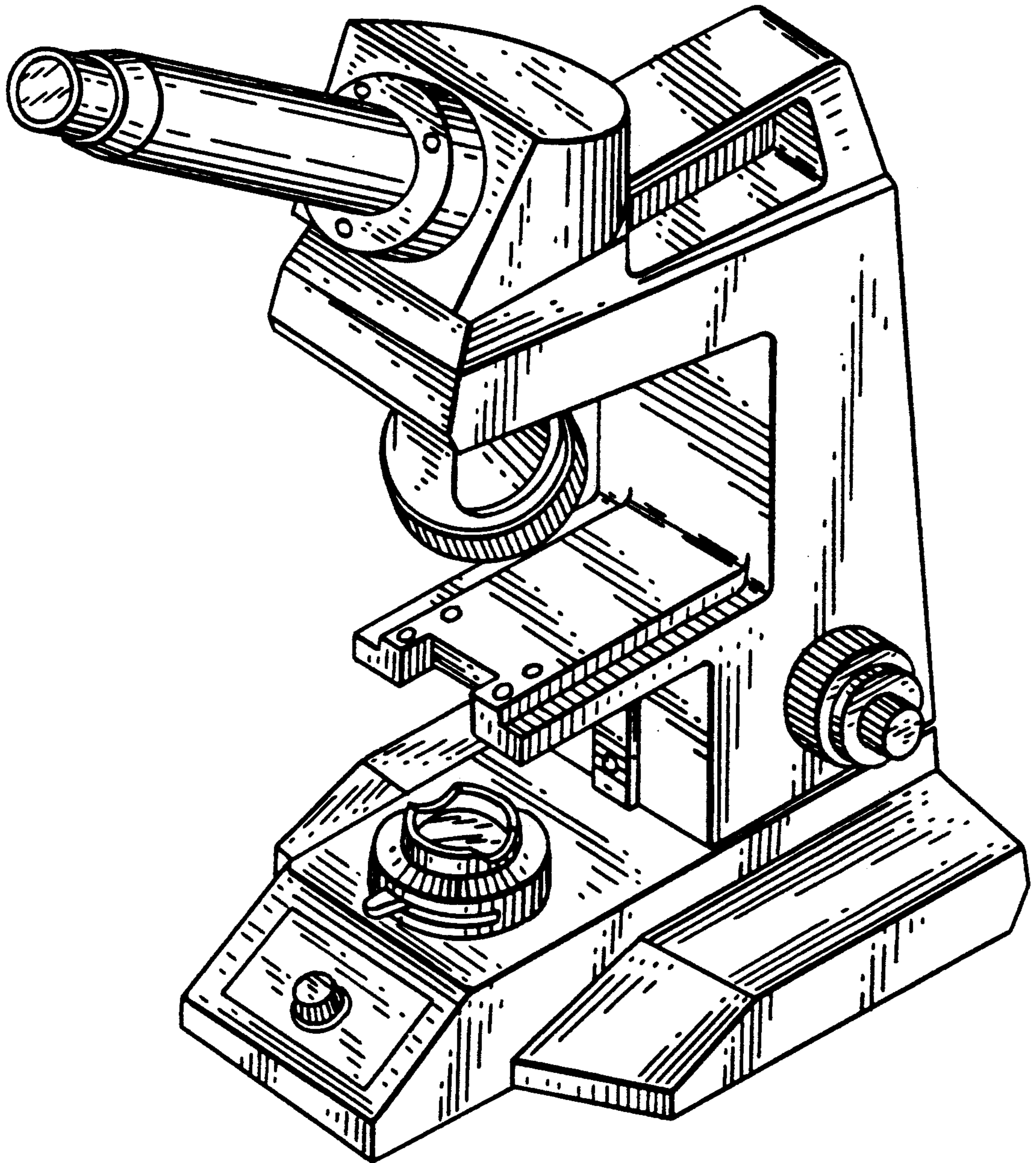


Fig. 5.

Fig. 6.



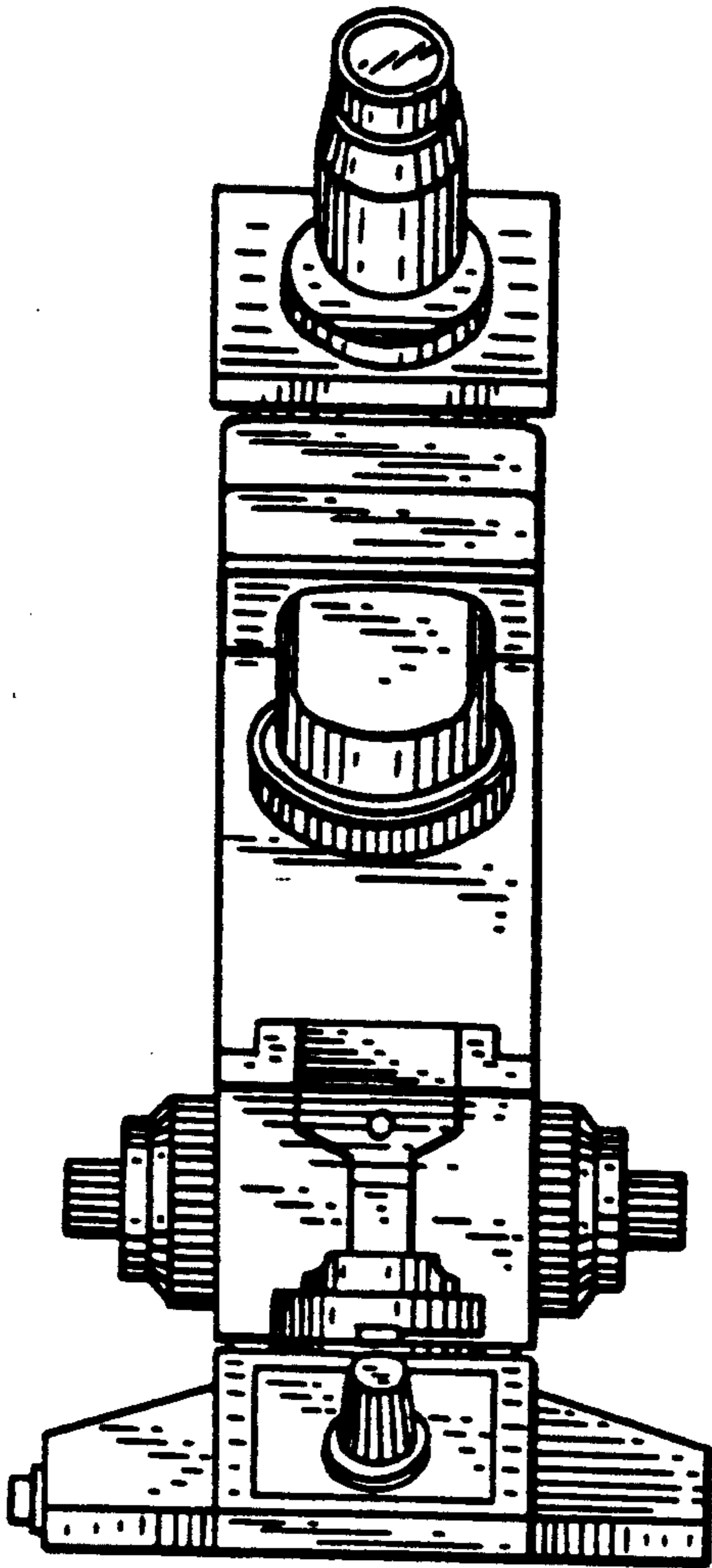


Fig. 8.

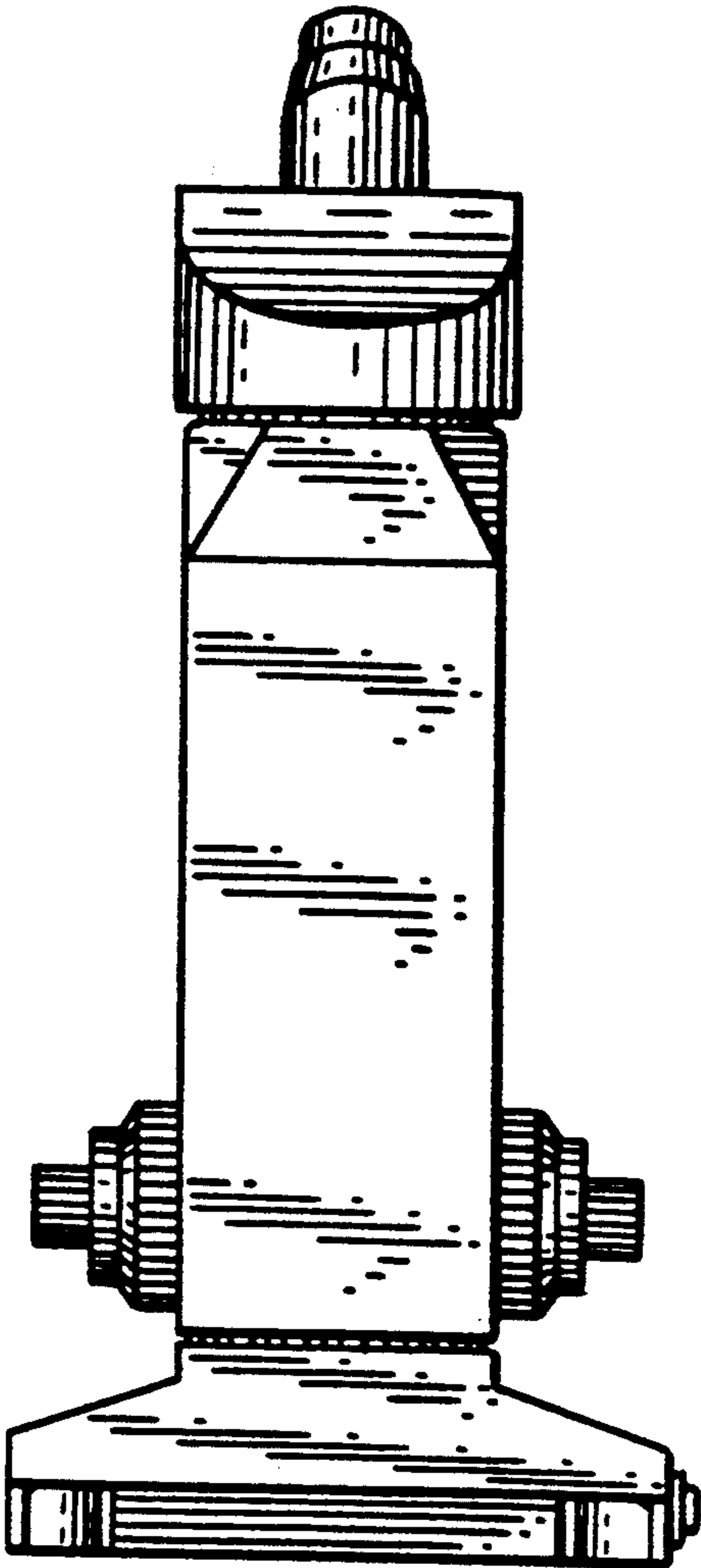


Fig. 7.

Fig. 9.

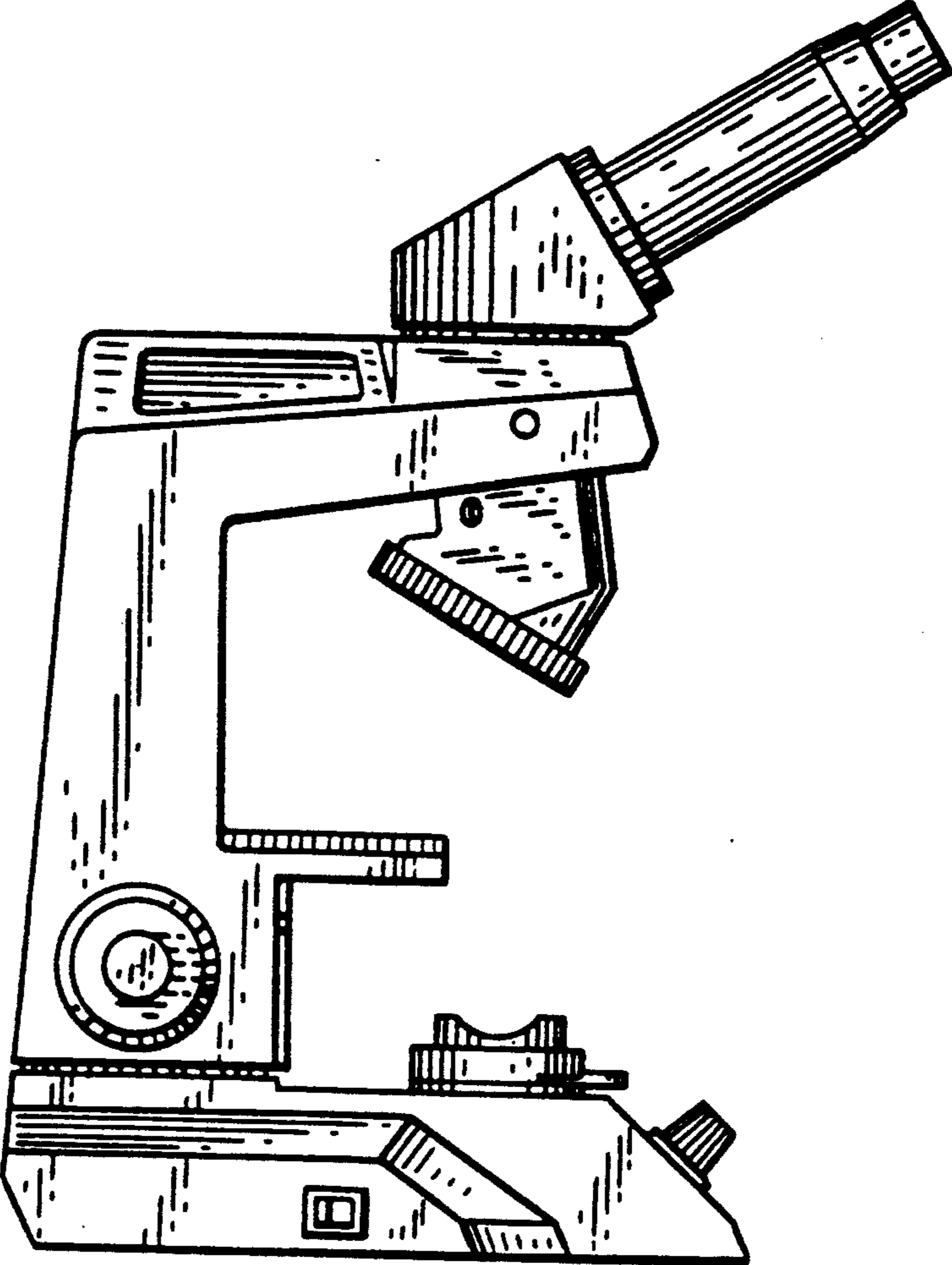
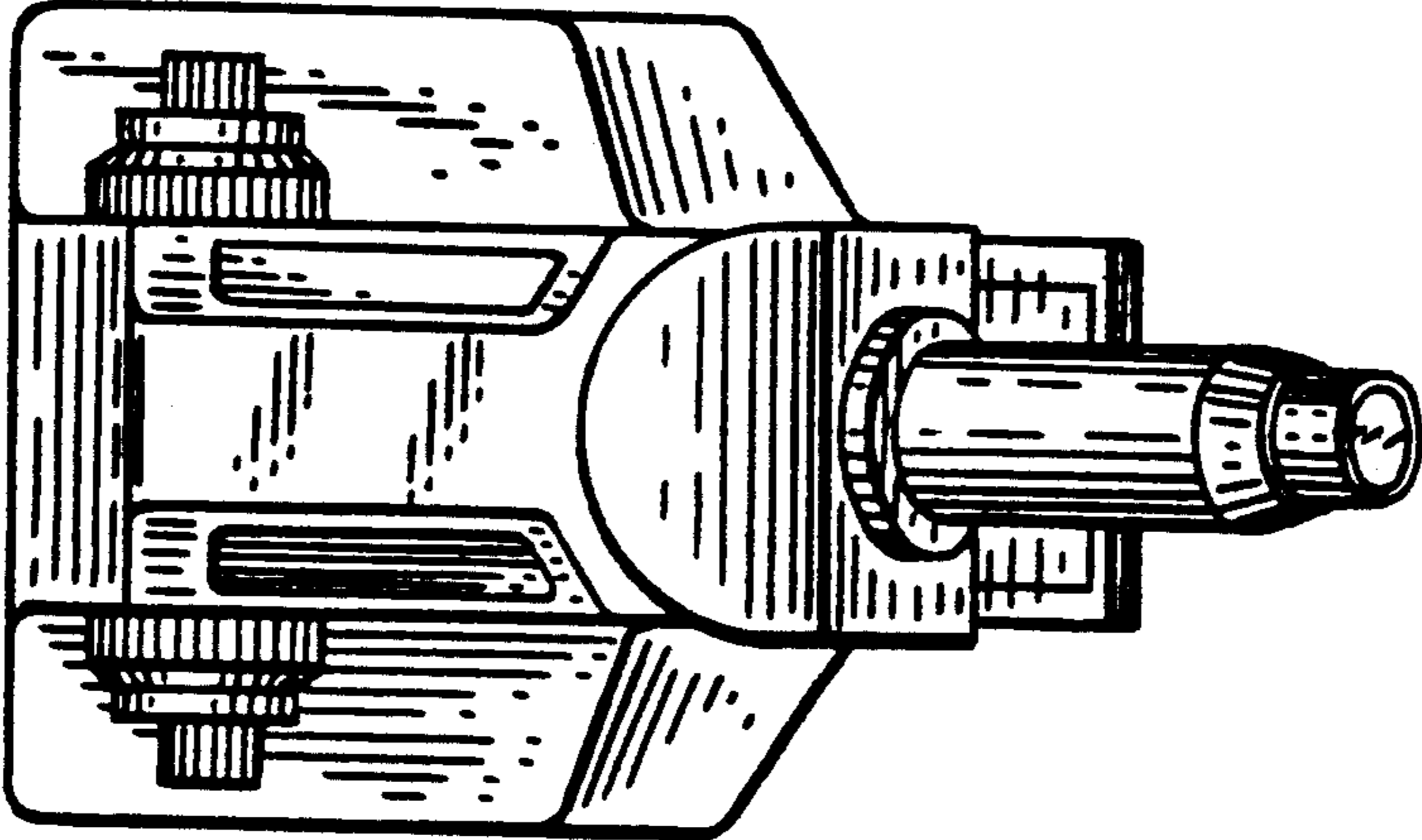
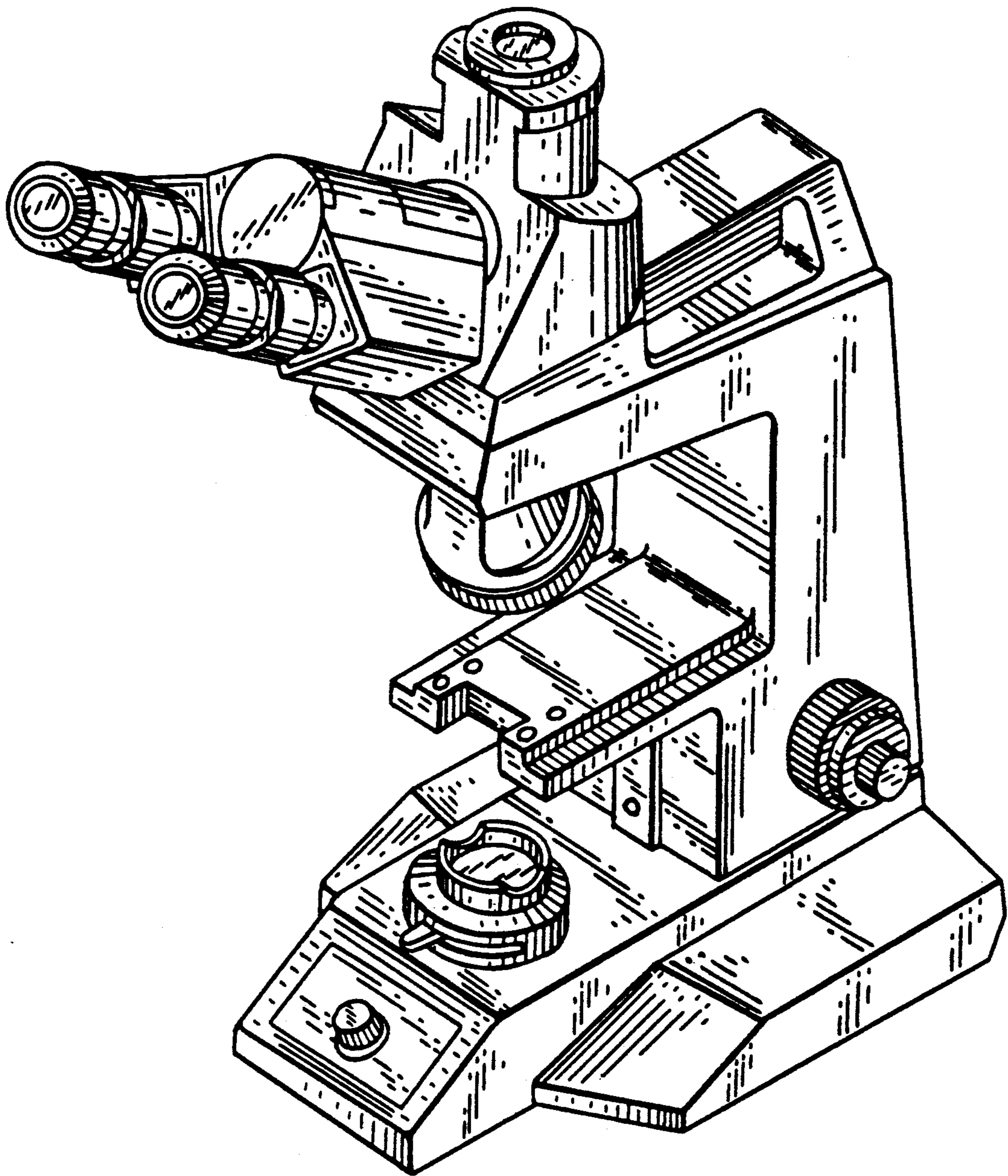


Fig. 10.

Fig. II.



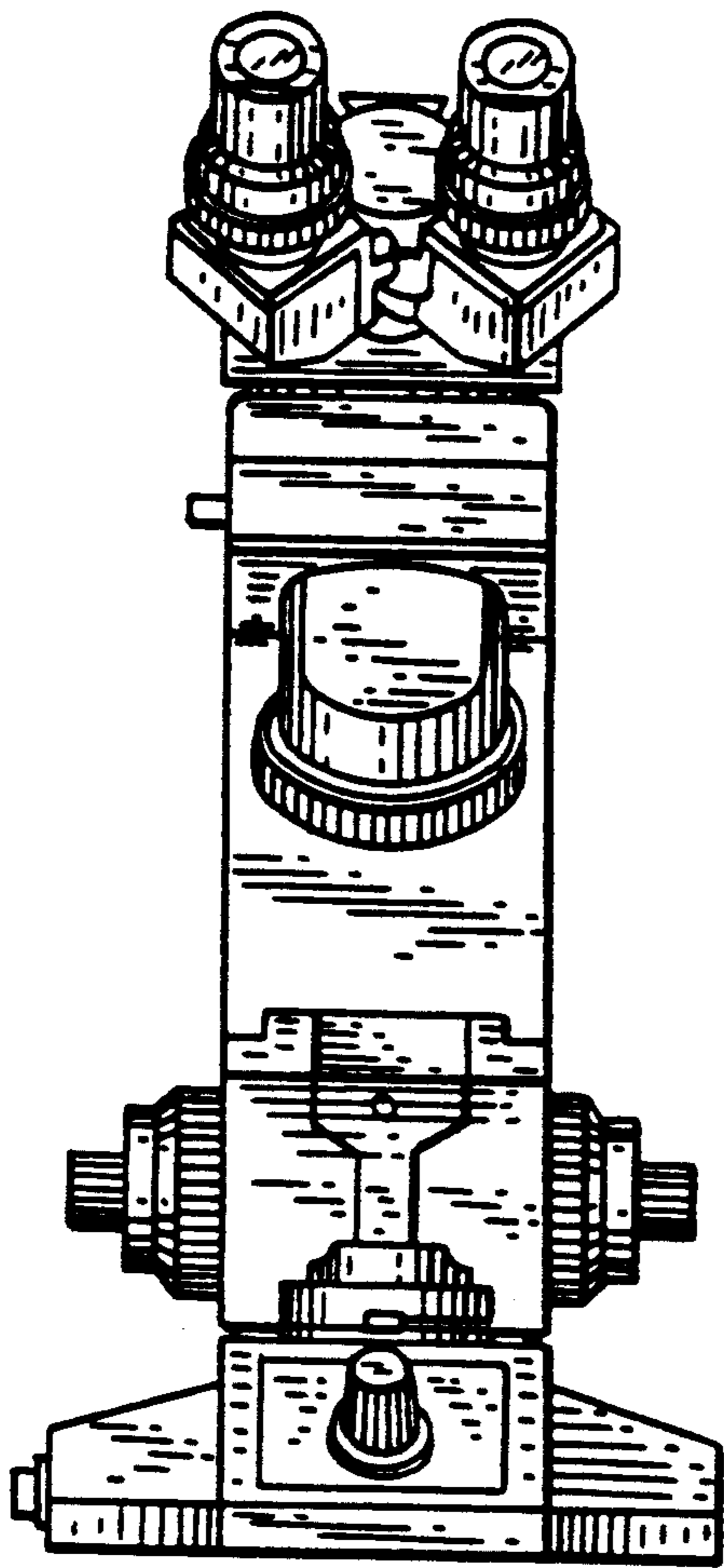


Fig. 13.

Fig. 12.

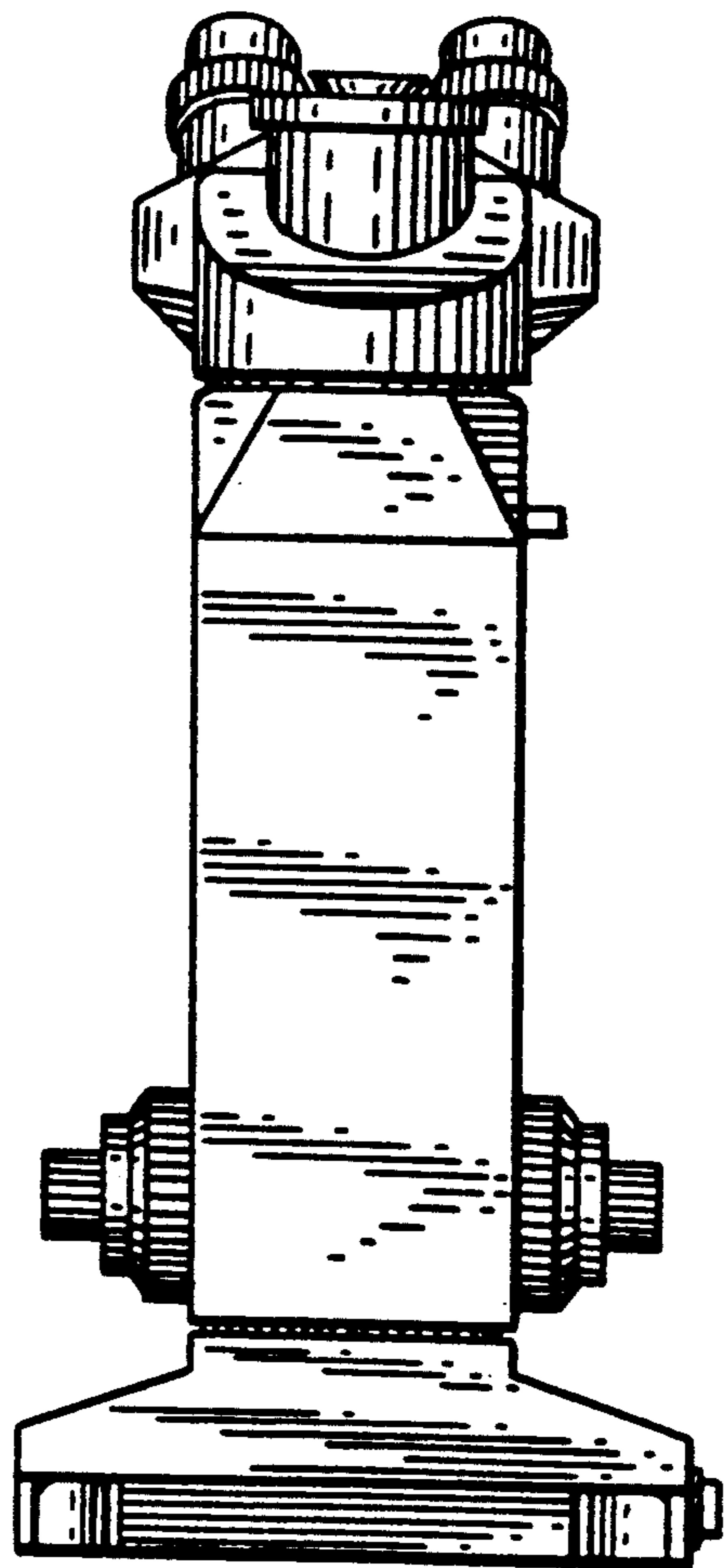


Fig. 14.

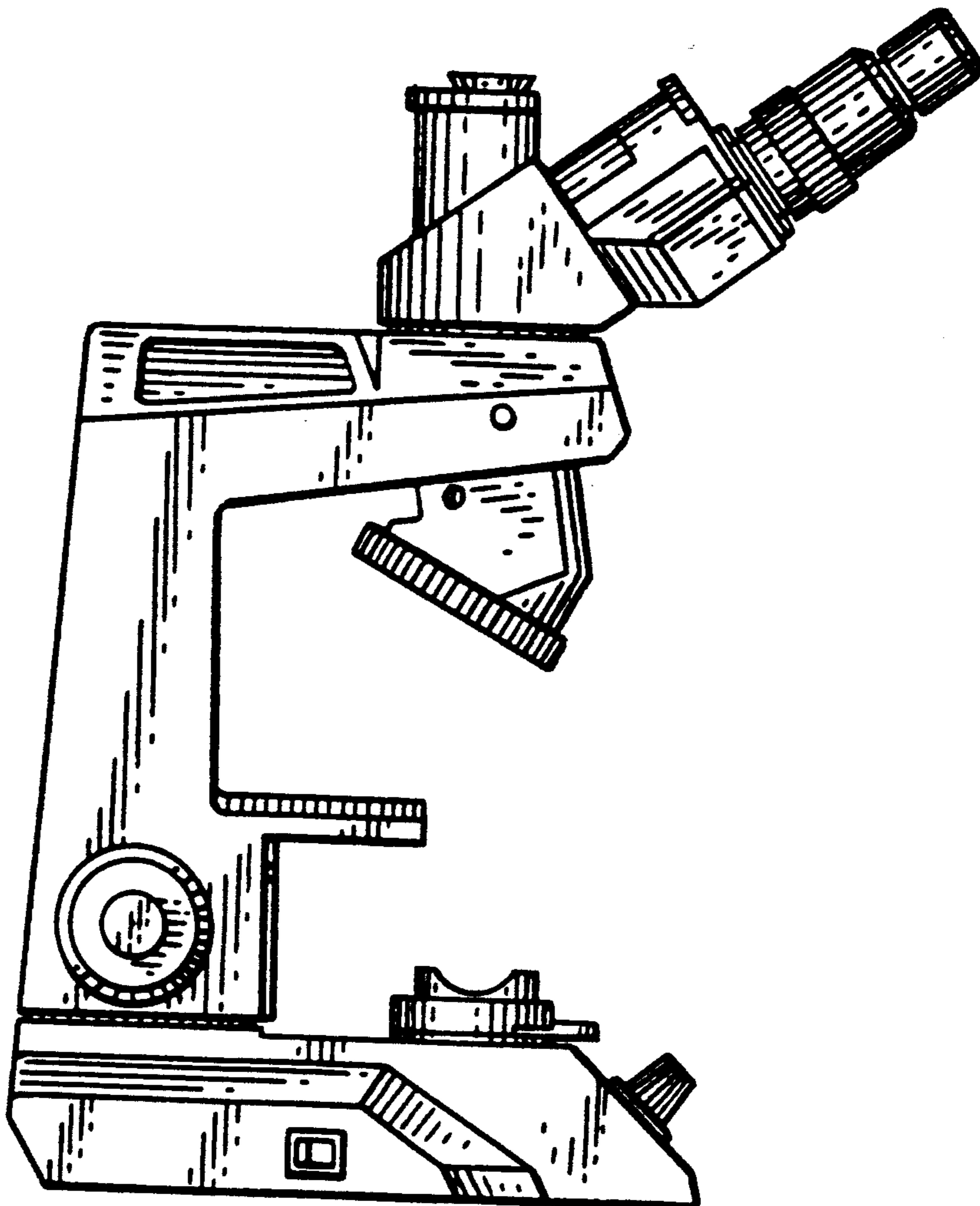
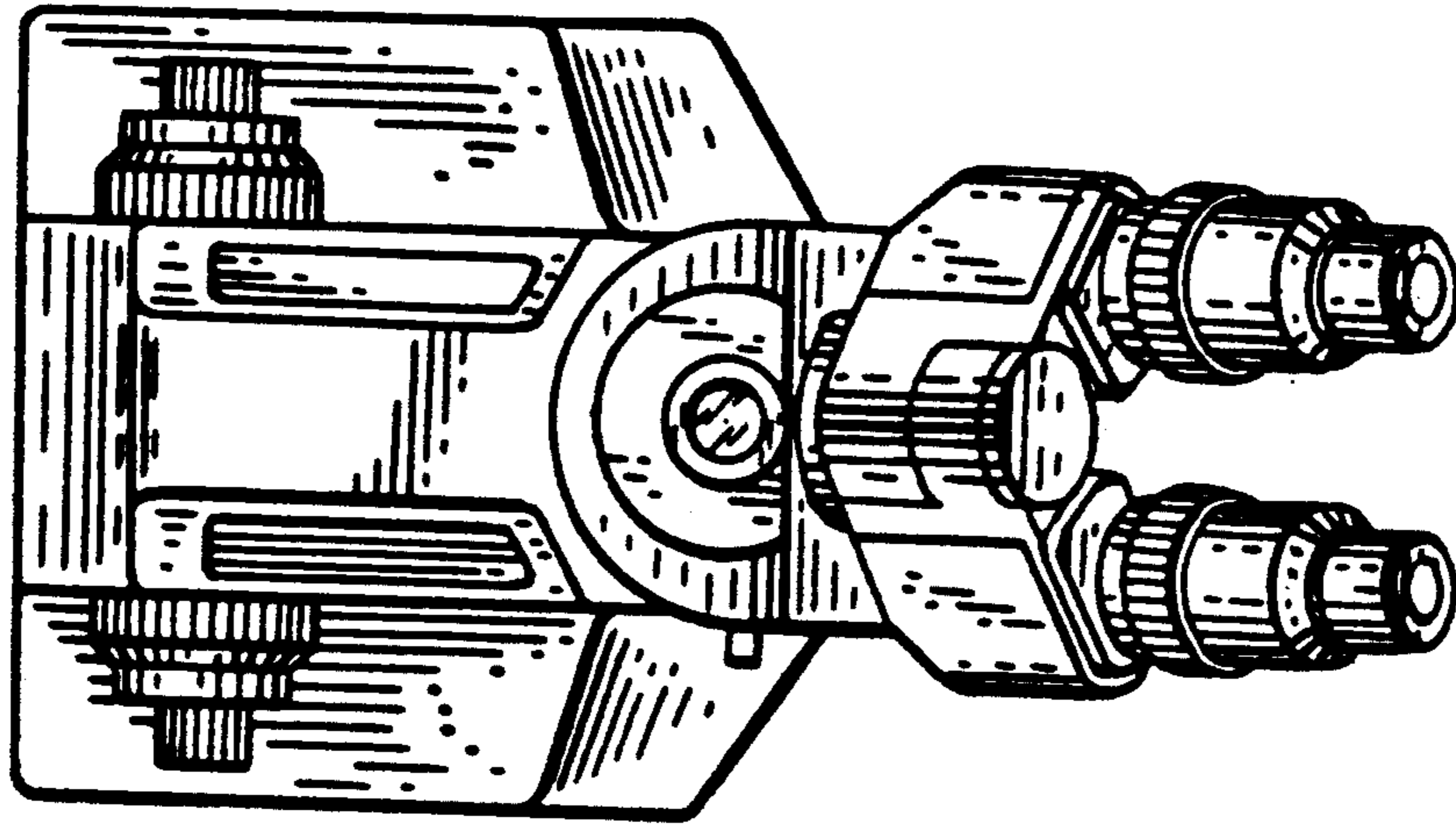


Fig. 15.