



US00D345746S

United States Patent [19]
Hölbl

[11] **Patent Number: Des. 345,746**

[45] **Date of Patent: ** Apr. 5, 1994**

[54] **MICROSCOPE**

[75] **Inventor: Werner Hölbl, Vienna, Austria**

[73] **Assignee: Leica Inc., Buffalo, N.Y.**

[**] **Term: 14 Years**

[21] **Appl. No.: 872,667**

[22] **Filed: Apr. 23, 1992**

[52] **U.S. Cl. D16/131**

[58] **Field of Search 359/368, 376, 377, 381,
359/388, 385, 390, 393; D16/130-131**

[56] **References Cited**

U.S. PATENT DOCUMENTS

D. 257,358	10/1980	Armbruster	D16/131
D. 258,312	2/1981	Parker	D16/131
D. 260,402	8/1981	Hodgson	D16/131
D. 265,206	6/1982	Weber et al.	D16/131
4,445,758	5/1984	Emmel	359/393
4,557,568	12/1985	Van Benschoten	D16/131
4,824,229	4/1989	Narita et al.	359/393
5,119,233	6/1992	Hayashi	359/385

OTHER PUBLICATIONS

Zeiss-Information; Apr. 1981; p. 4; Compact Transmitted-light Microscope KM.

Fisher Catalog; ©1990; p. 1046; Fisher Micromaster CK Series Microscopes.

Fisher Catalog; ©1990; p. 1061; Cambridge Stratalab Microscopes.

Primary Examiner—A. Hugo Word

Assistant Examiner—Cathy Anne MacCormac

Attorney, Agent, or Firm—Bean, Kauffman & Spencer

[57] **CLAIM**

The ornamental design for a microscope, as shown and described.

DESCRIPTION

FIG. 1 is a perspective view of a microscope showing my new design;

FIG. 2 is a front elevational view thereof;

FIG. 3 is a rear elevational view thereof;

FIG. 4 is a top plan view thereof; and,

FIG. 5 is a left side elevational view thereof.

FIG. 1 has been drawn on an enlarged scale with respect to FIGS. 2-5.

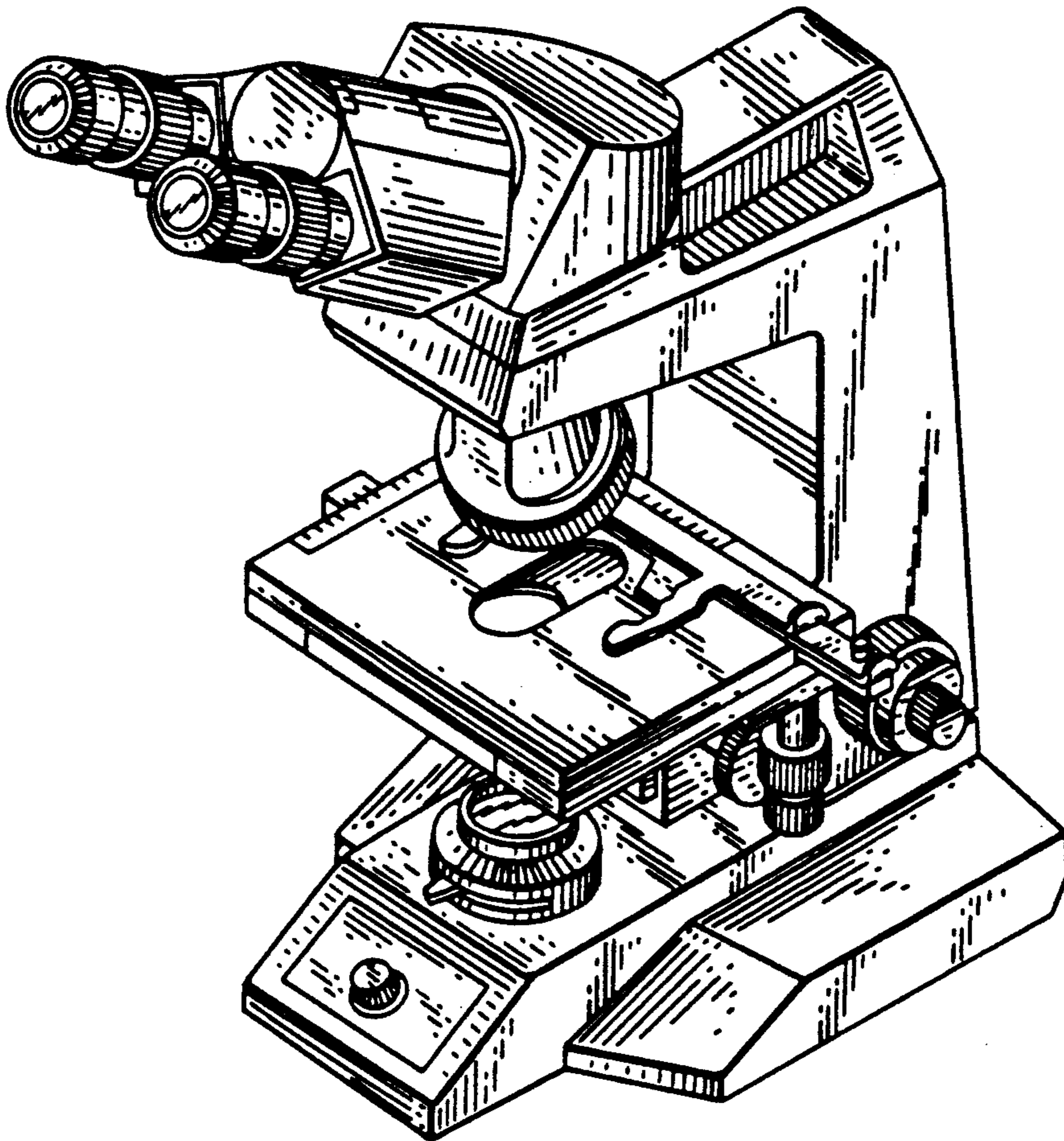
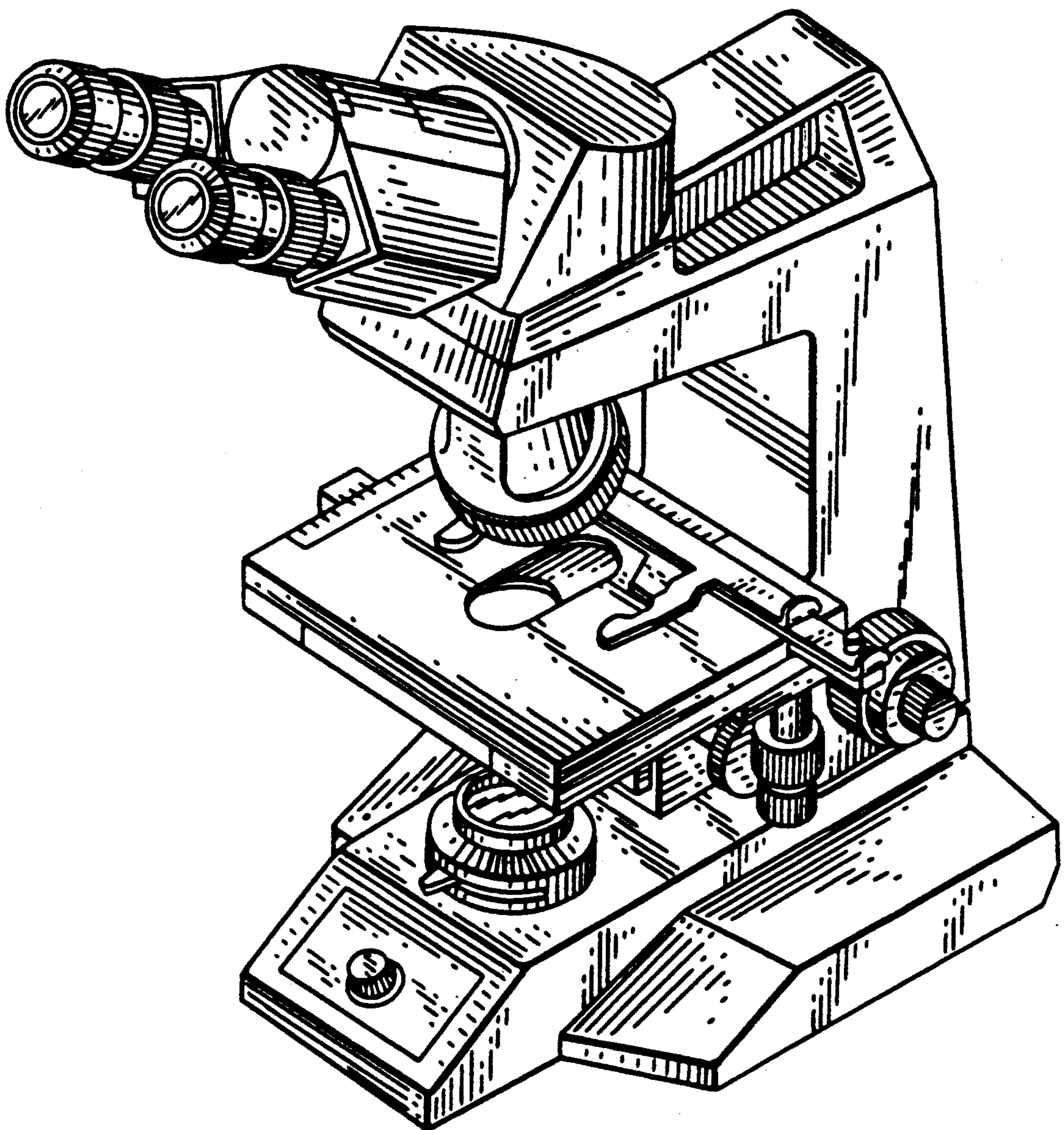


Fig. 1.



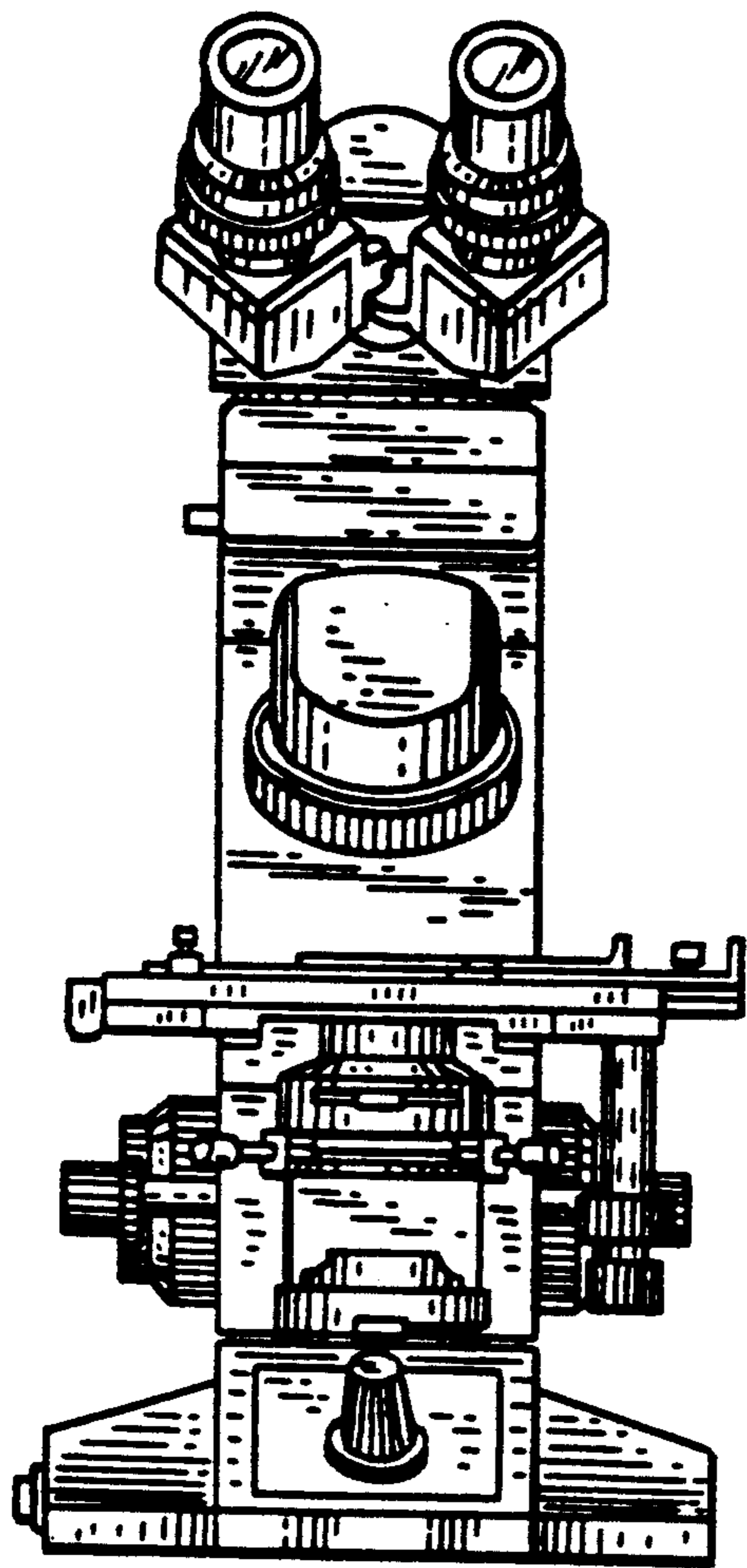


Fig. 3.

Fig. 2.

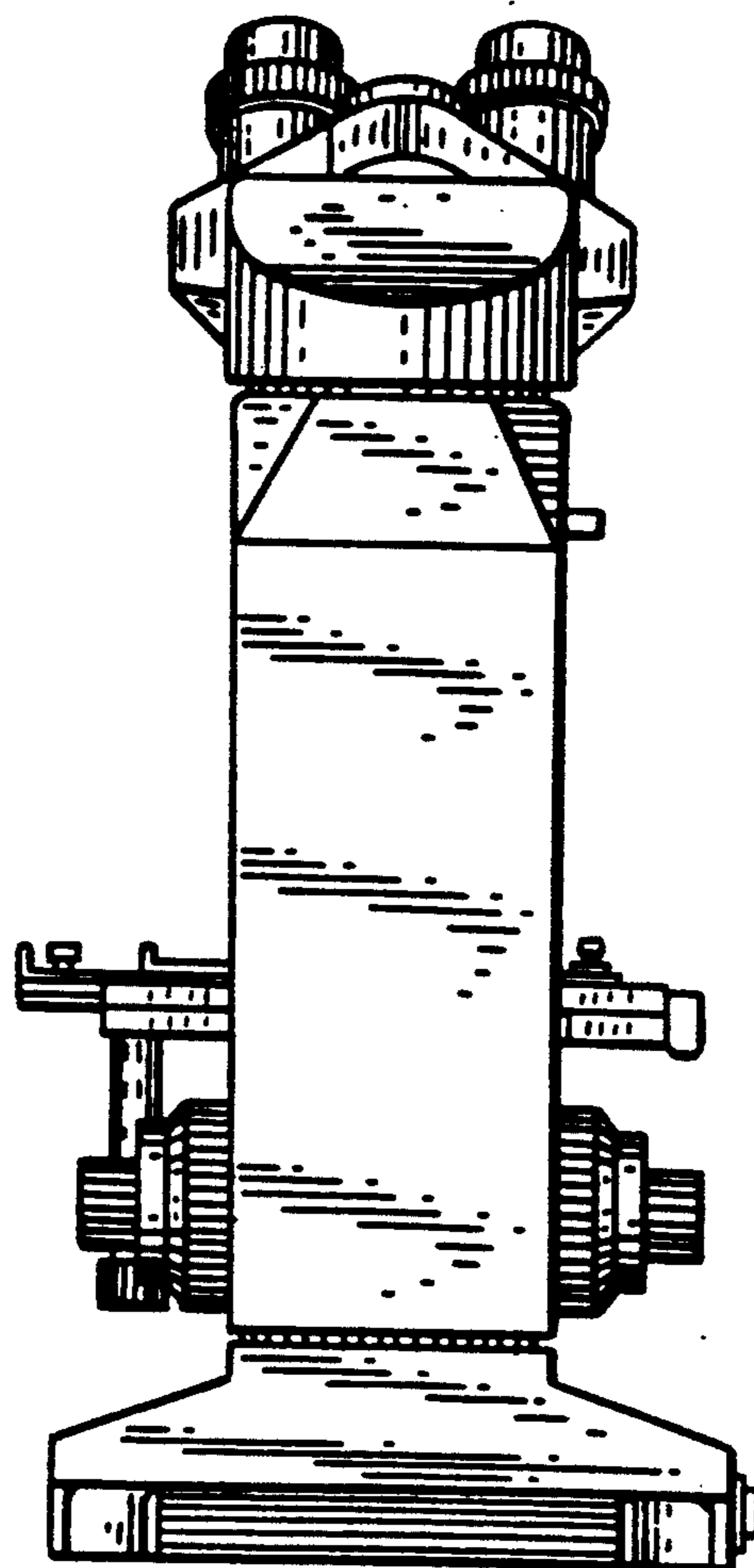


Fig. 4.

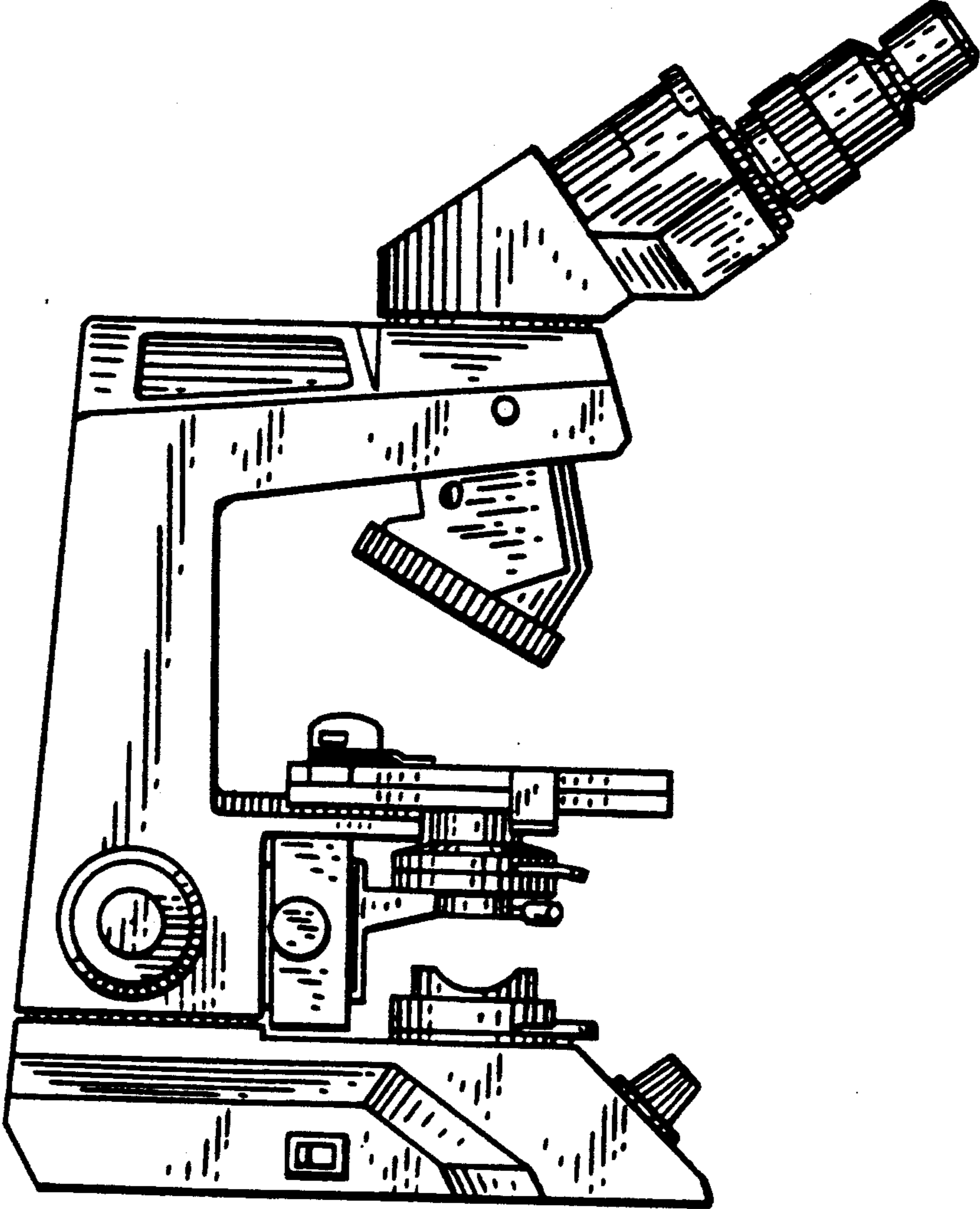
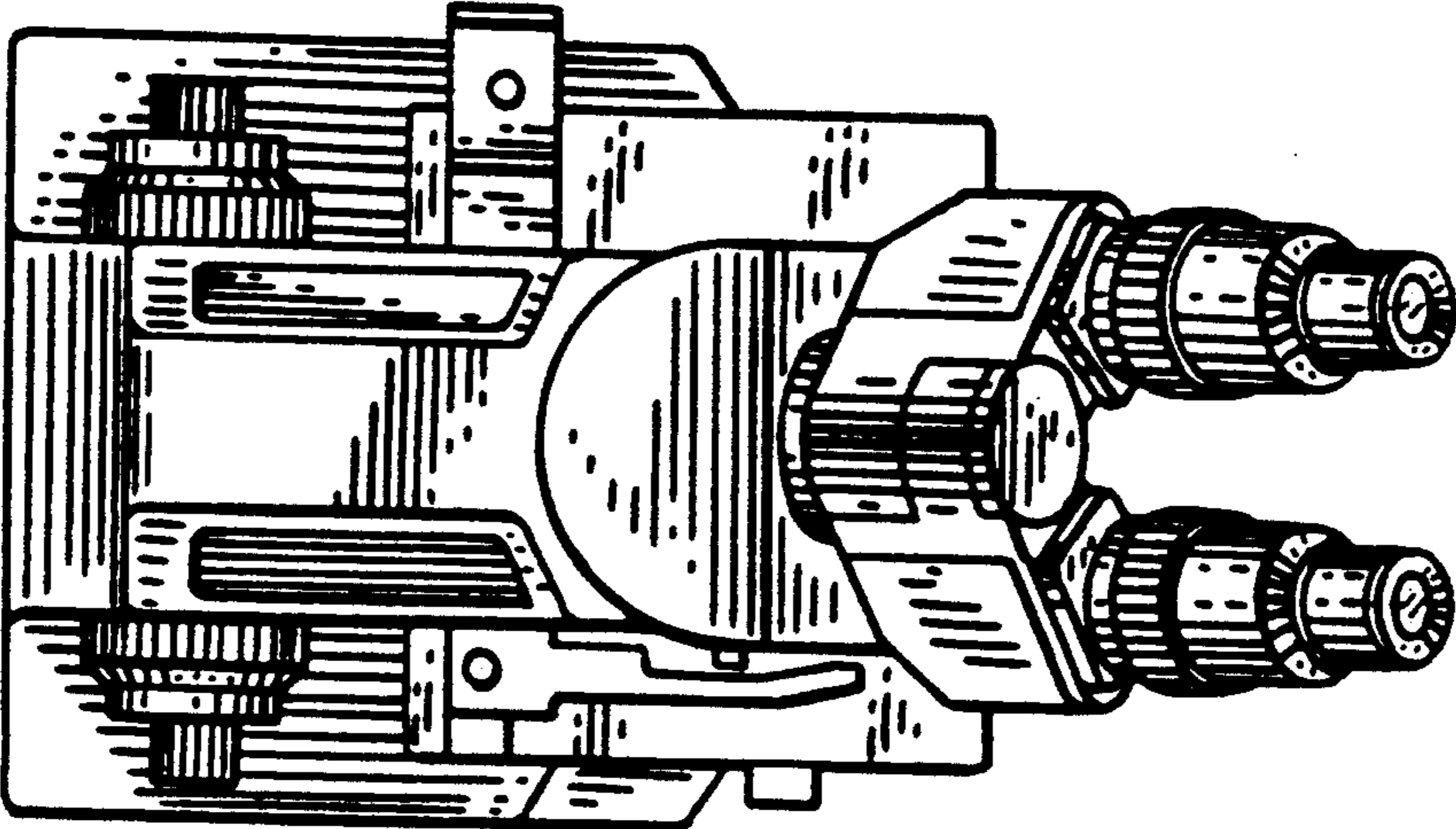


Fig. 5.