



US00D345743S

United States Patent [19] Garcia

[11] Patent Number: **Des. 345,743**

[45] Date of Patent: **** Apr. 5, 1994**

[54] **MOTORIZED MITER BOX**

[75] Inventor: **Jaime E. Garcia**, Wexford, Pa.

[73] Assignee: **Delta International Machinery Corp.**,
Pittsburgh, Pa.

[**] Term: **14 Years**

[21] Appl. No.: **854,315**

[22] Filed: **Mar. 25, 1992**

[52] U.S. Cl. **D15/133**

[58] Field of Search **83/47.3, 477.1, 478,
83/490; D15/133**

4,343,213 8/1982 Drixler .
 4,384,502 5/1983 Dover .
 4,402,241 9/1983 Moores, Jr. .
 4,452,117 6/1984 Brickner et al. .
 4,489,633 12/1984 van de Wouw .
 4,527,453 7/1985 van Hauten .
 4,537,105 8/1985 Bergler .
 4,559,857 12/1985 Grossmann et al. .
 4,581,966 4/1986 Kaiser et al. .
 4,638,700 1/1987 Fushiya et al. .
 4,774,866 10/1988 Dehari et al. .
 4,799,416 1/1989 Kumasaka et al. .
 4,805,504 2/1989 Fushiya et al. .
 4,869,142 9/1989 Sato et al. .
 4,934,233 6/1990 Brundage et al. .
 5,042,348 8/1991 Brundage et al. .

[56] **References Cited**
U.S. PATENT DOCUMENTS

D. 282,346 1/1986 Pioch .
 D. 287,694 1/1987 Miyamoto .
 D. 295,823 5/1988 Brickner, Jr. et al. .
 D. 305,542 1/1990 Miyamoto et al. .
 D. 306,031 2/1990 Ushiwata et al. .
 D. 317,110 5/1991 Arehart .
 D. 326,668 6/1992 Arehart et al. **D15/133**
 D. 334,756 4/1993 Sakamoto et al. **D15/133**
 3,570,564 3/1971 Bergler .
 3,574,315 5/1971 Boultinghouse .
 3,821,918 7/1974 Niehaus et al. .
 3,994,192 11/1976 Faig .
 3,998,121 12/1976 Bennett .
 4,002,094 1/1977 Erickson et al. .
 4,011,782 3/1977 Clark et al. .
 4,028,975 6/1977 Bennett .
 4,152,961 5/1979 Batson .
 4,245,533 1/1981 Batson .
 4,283,977 8/1981 Batson .

Primary Examiner—Alan P. Douglas
Assistant Examiner—Antoine D. Davis
Attorney, Agent, or Firm—Merchant, Gould, Smith,
 Edell, Welter & Schmidt

[57] **CLAIM**

The ornamental design for a motorized miter box, as shown and described.

DESCRIPTION

FIG. 1 is a top, front and right side perspective view of a motorized miter box showing my new design;
 FIG. 2 is a front elevational view thereof;
 FIG. 3 is a rear elevational view thereof;
 FIG. 4 is a right side elevational view thereof;
 FIG. 5 is a left side elevational view thereof;
 FIG. 6 is a top plan view thereof;
 FIG. 7 is a bottom plan view thereof; and,
 FIG. 8 is a top, and right side perspective view of a preferred embodiment thereof.

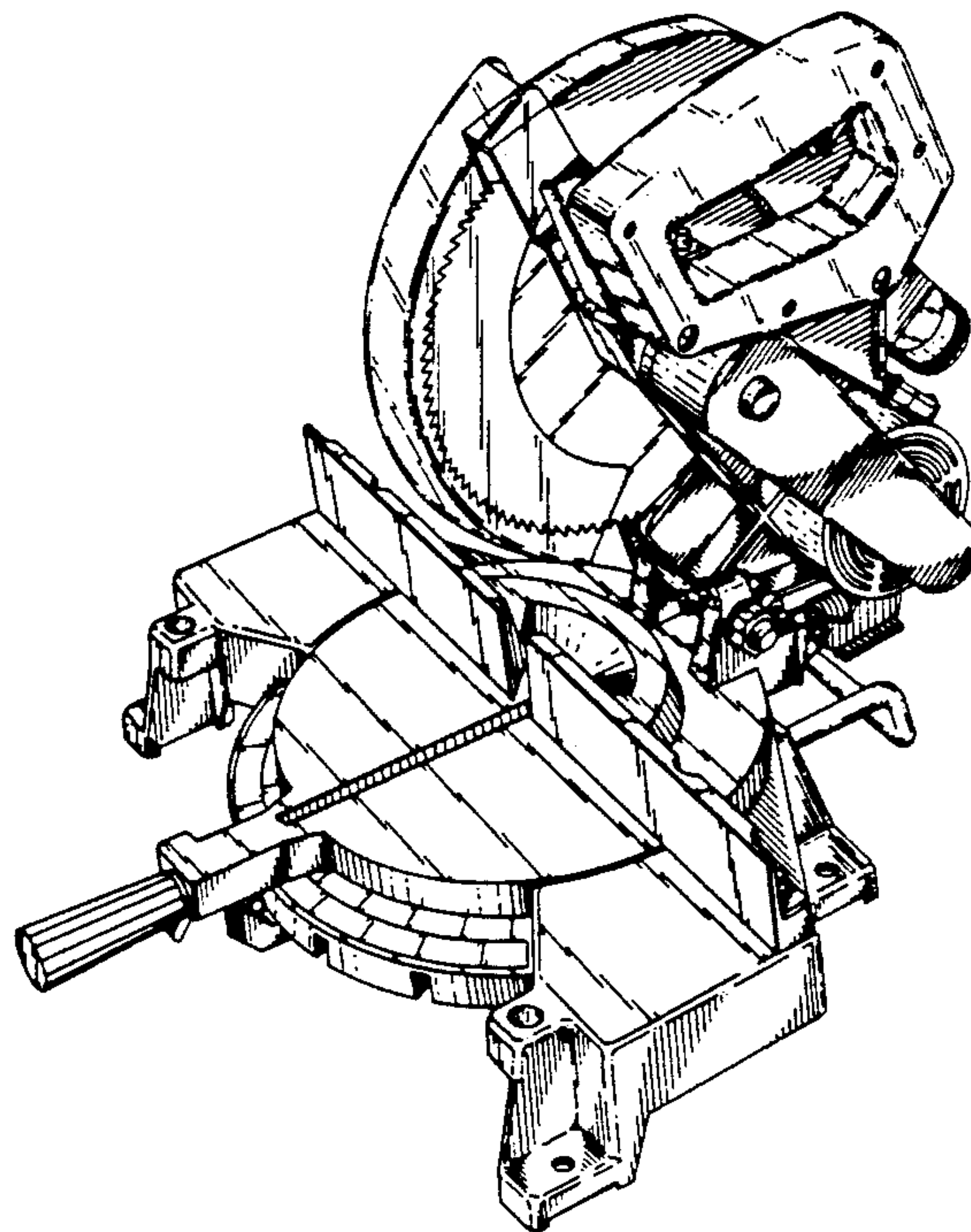


FIG. 1

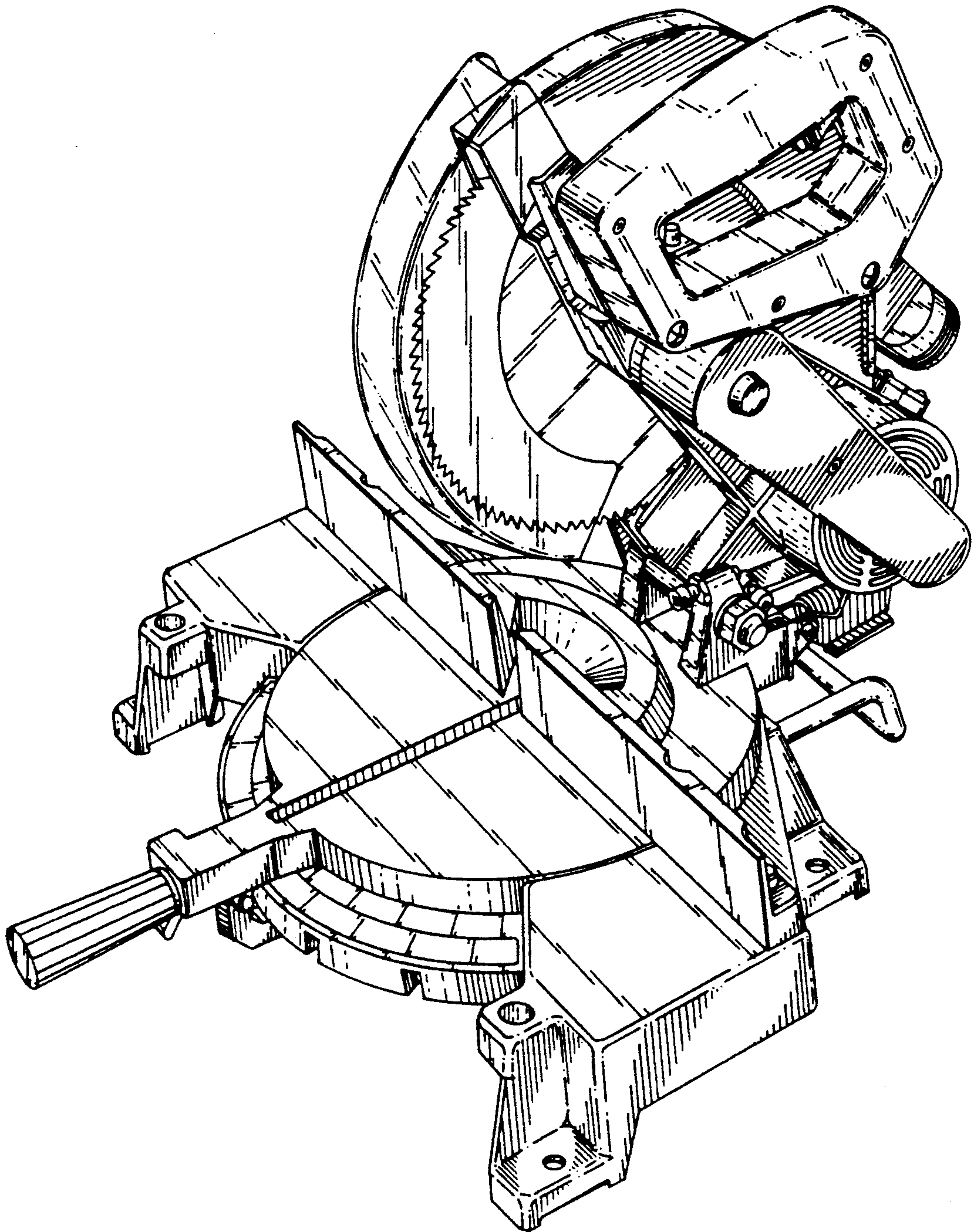


FIG. 2

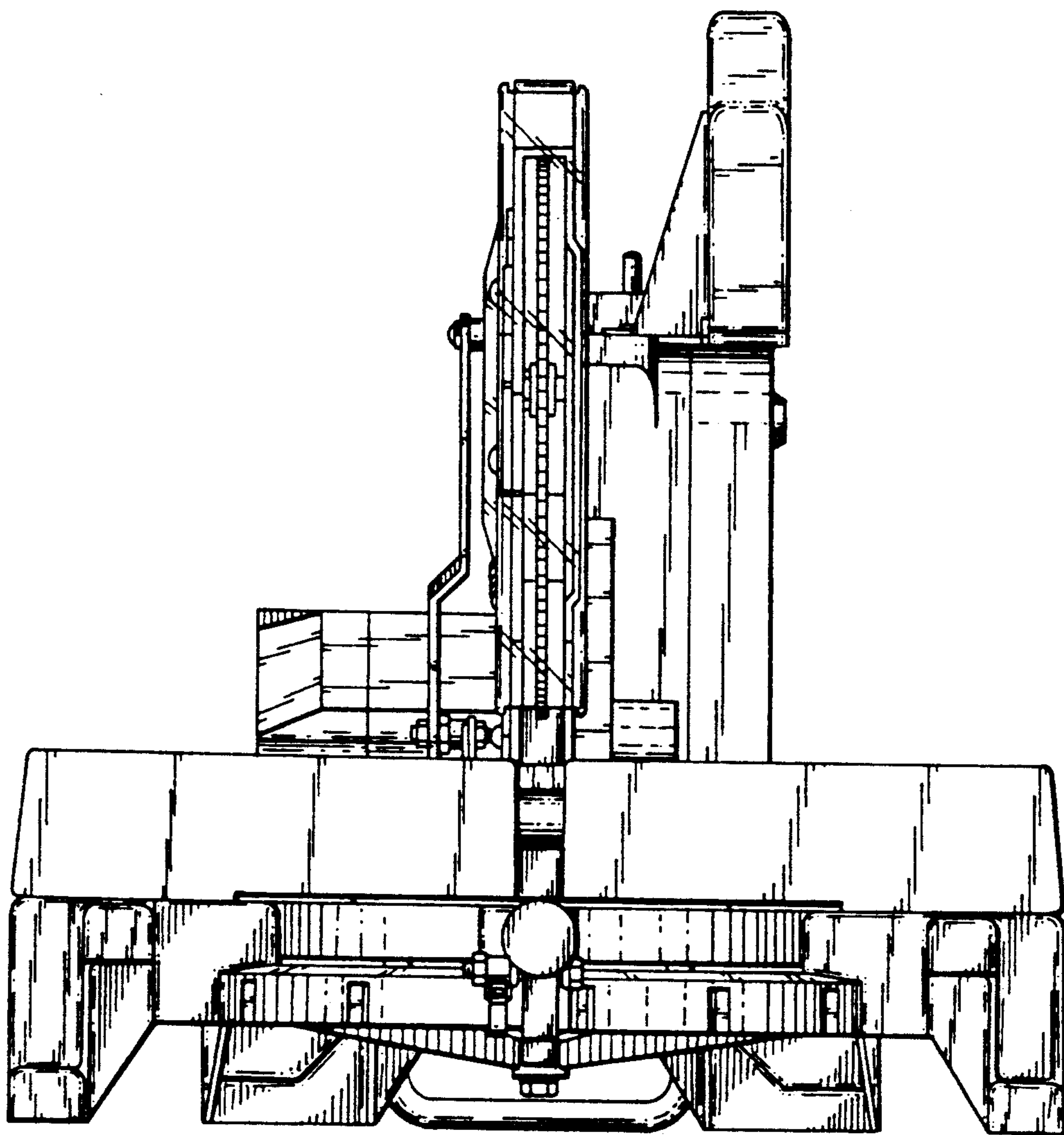
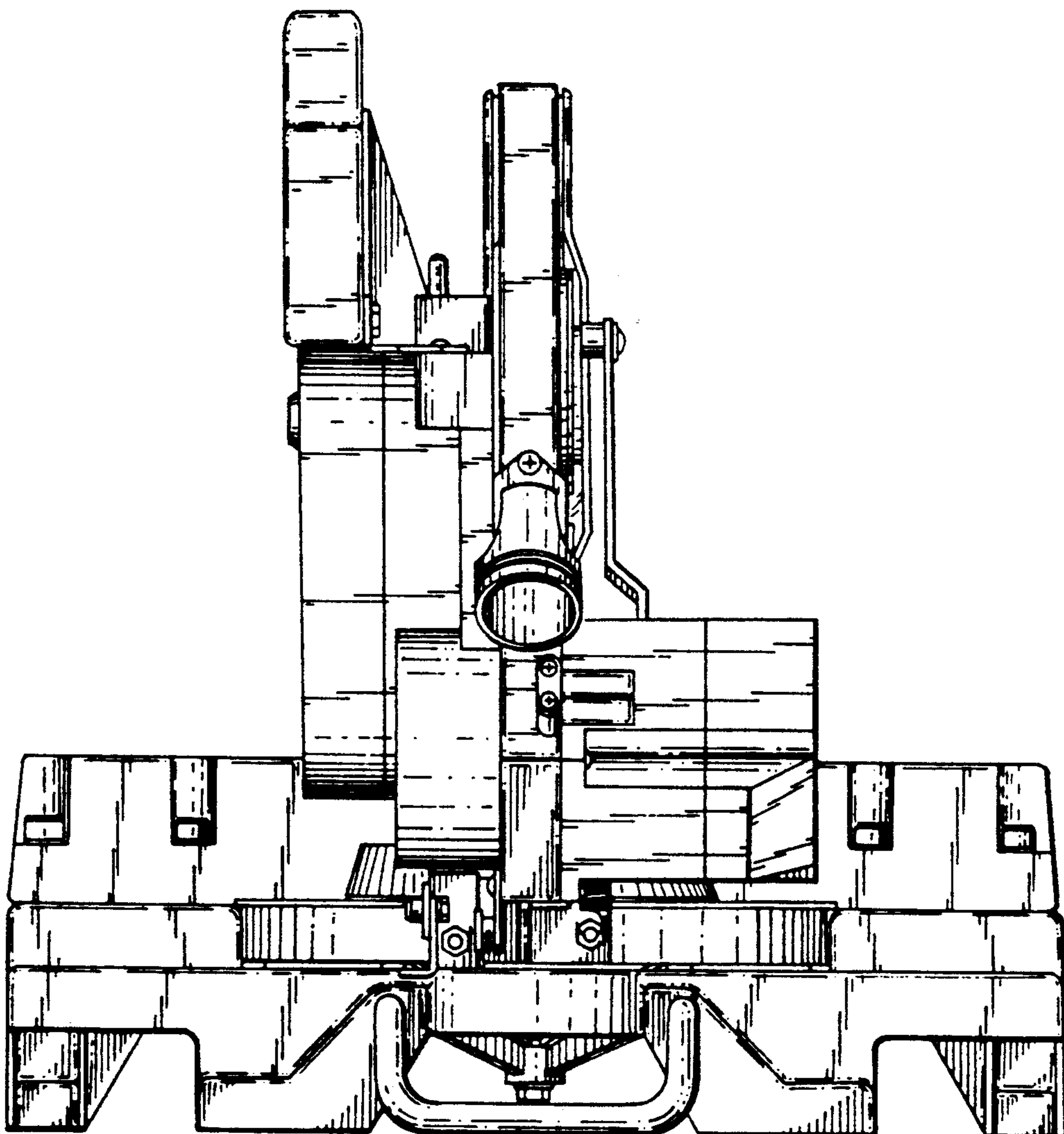


FIG. 3



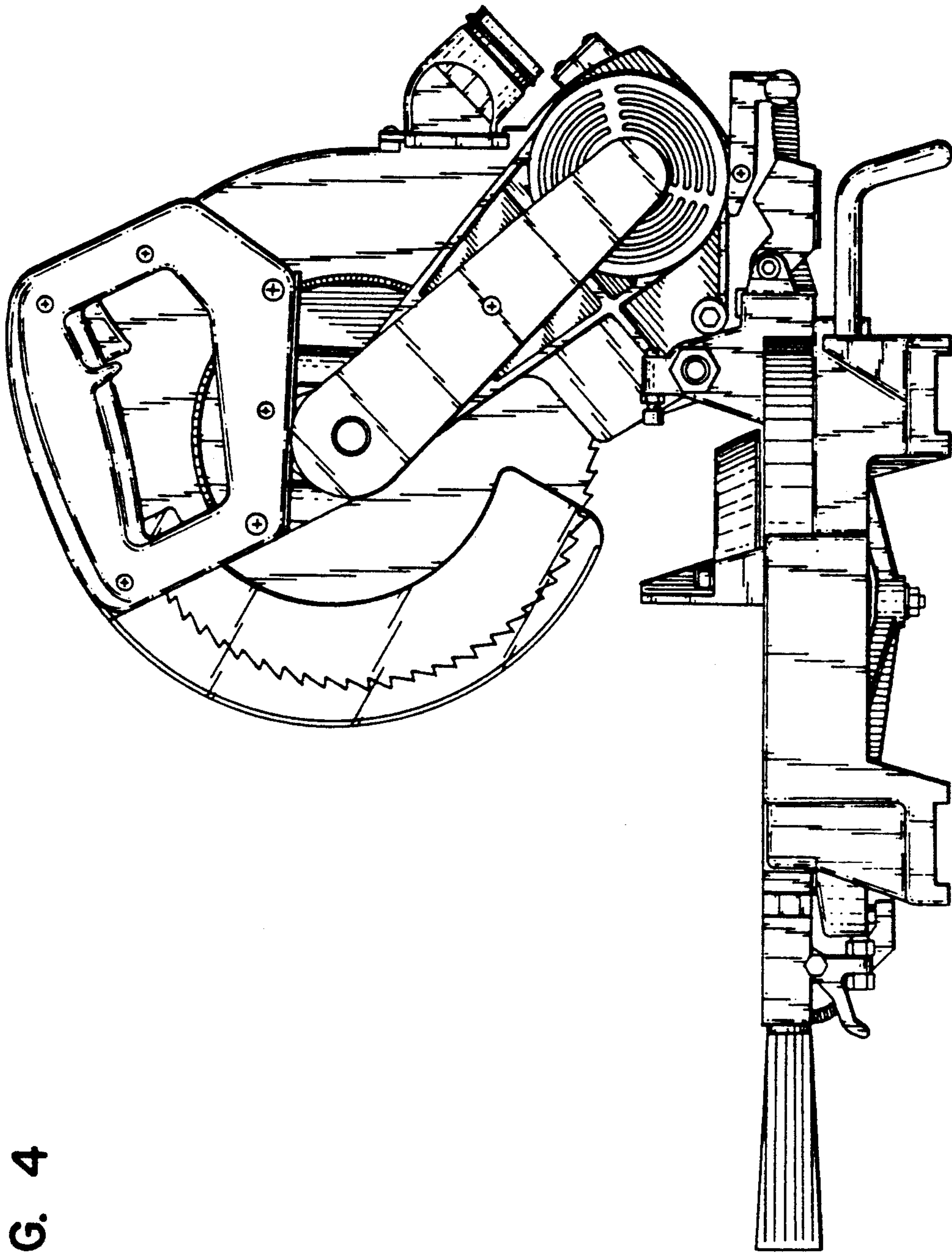


FIG. 4

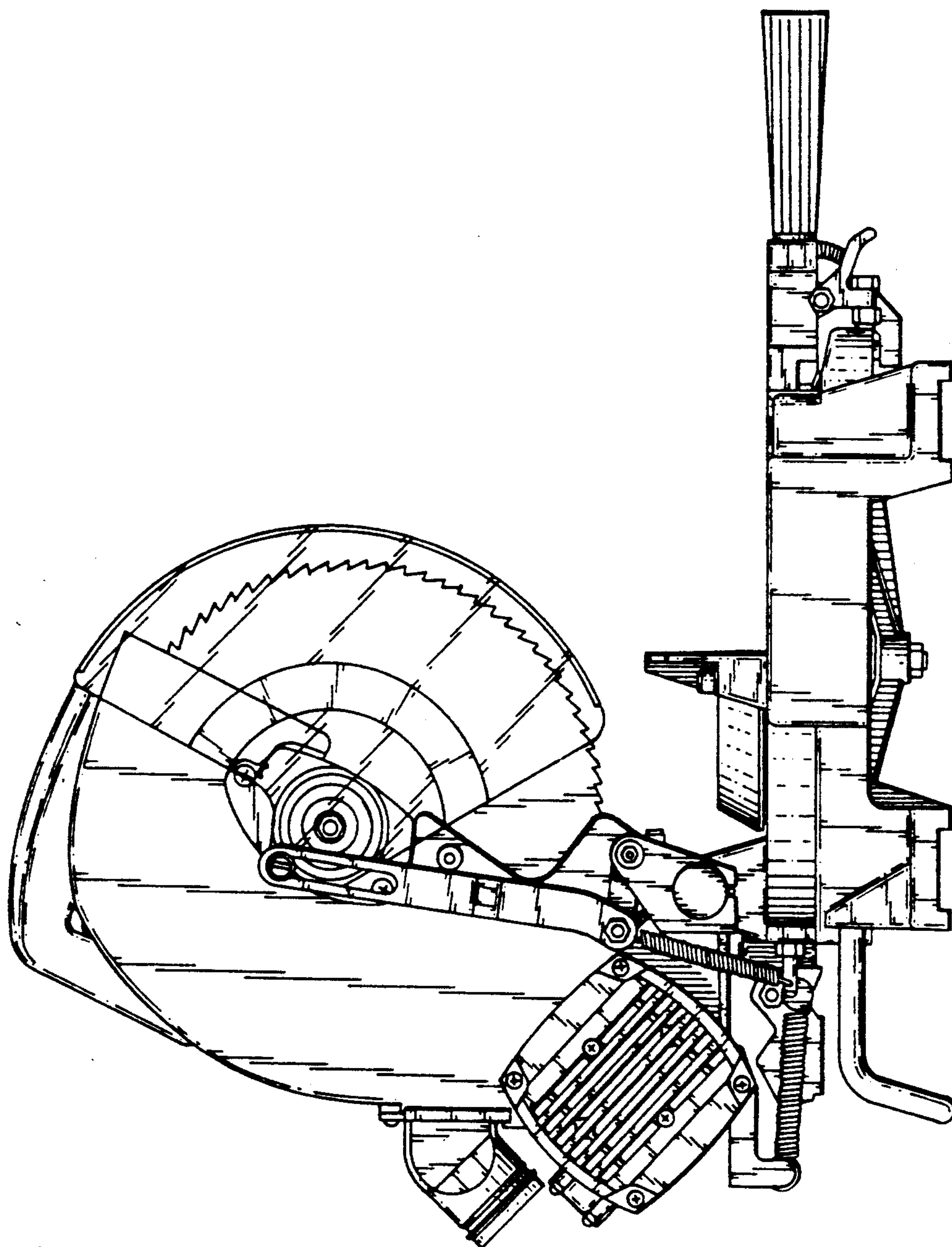


FIG. 5

FIG. 6

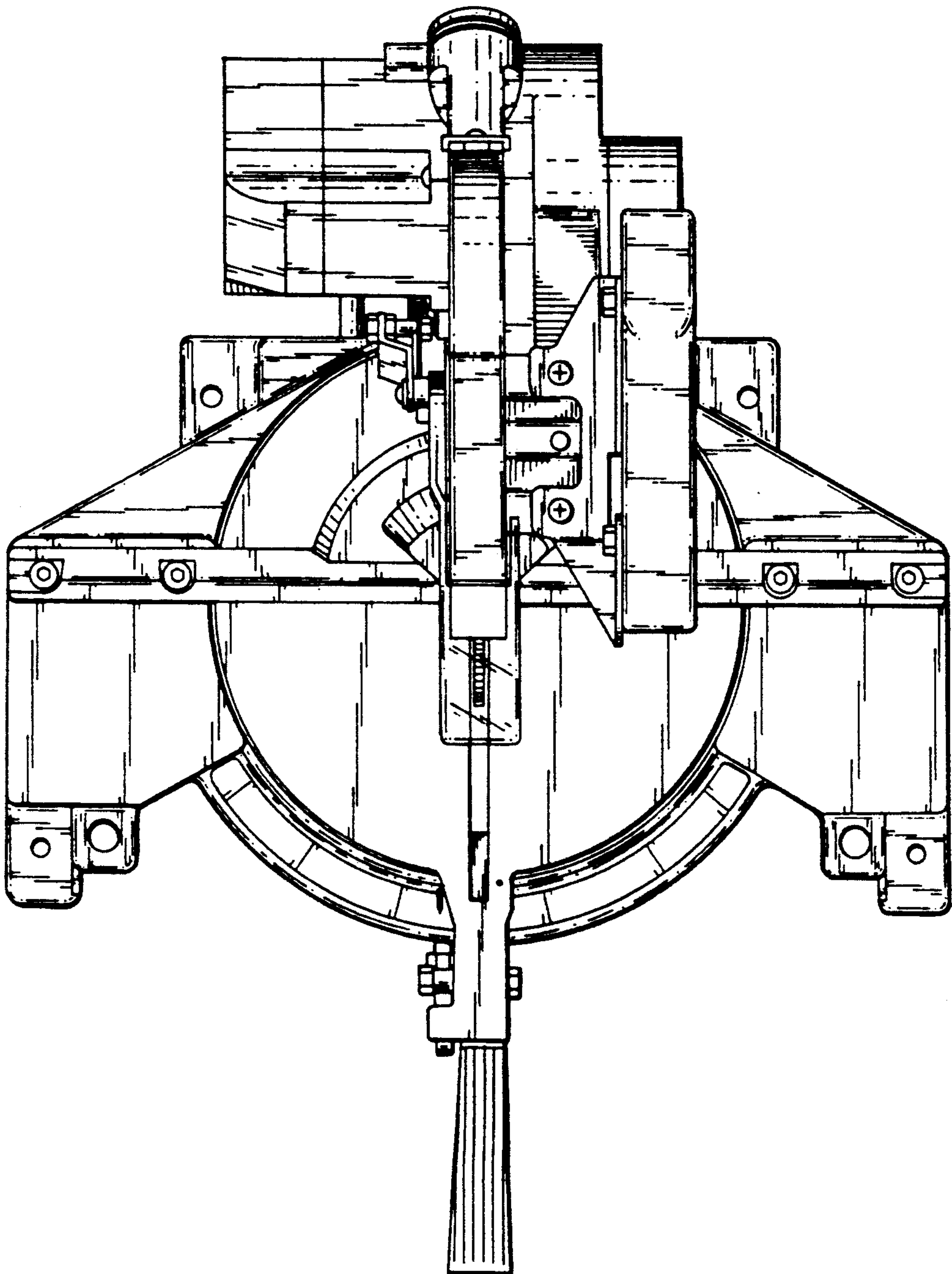


FIG. 7

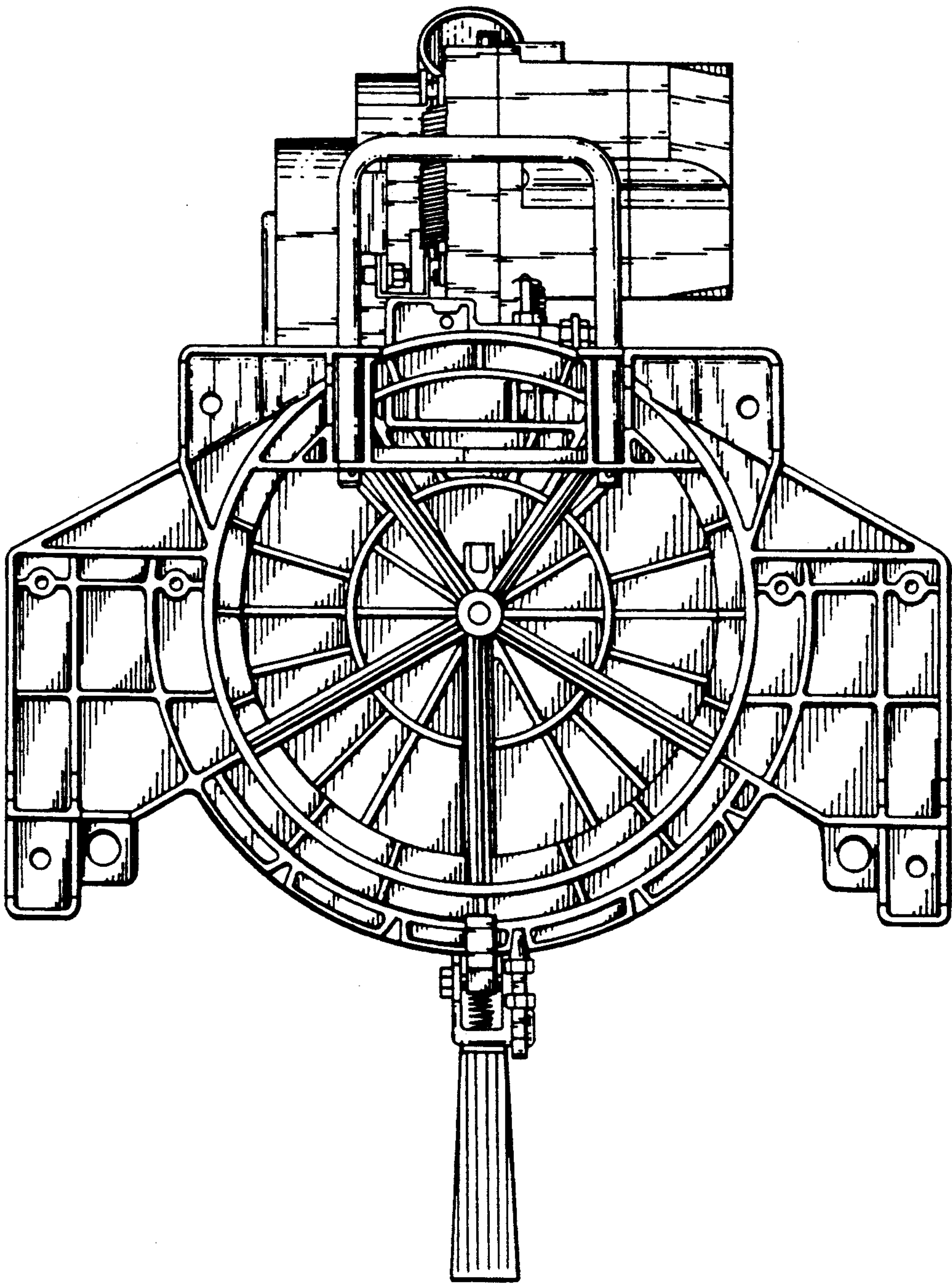


FIG. 8

