



US00D345742S

# United States Patent [19]

[11] Patent Number: **Des. 345,742**

**Adleman et al.**

[45] Date of Patent: **\*\* Apr. 5, 1994**

## [54] TUBE BENDER

[75] Inventors: **Larry G. Adleman; Jeffrey J. Plummer**, both of Rockford, Ill.;  
**Orville Larsen**, Lake Geneva, Wis.

[73] Assignee: **Greenlee Textron Inc.**, Rockford, Ill.

[\*\*] Term: **14 Years**

[21] Appl. No.: **926,899**

[22] Filed: **Aug. 7, 1992**

[52] U.S. Cl. .... **D15/123**

[58] Field of Search ..... 72/157, 158, 149, 217,  
72/307, 310, 405, 422, 458, 459, 482; D15/123

### [56] References Cited

#### U.S. PATENT DOCUMENTS

- 304,590 11/1889 Adleman et al. .
- 3,141,494 7/1964 Flessate et al. .
- 3,949,584 4/1976 Pearson et al. .... 72/157 X
- 4,546,632 10/1985 Van Den Kieboom et al. .

## OTHER PUBLICATIONS

Greenlee product catalog, Copyright 1990.

*Primary Examiner*—Alan P. Douglas

*Assistant Examiner*—Antoine D. Davis

*Attorney, Agent, or Firm*—Trexler, Bushnell, Giangiorgi & Blackstone

## [57] CLAIM

The ornamental design for a tube bender, as shown and described.

## DESCRIPTION

FIG. 1 is a front perspective view of a tube bender showing our new design;

FIG. 2 is a rear perspective view thereof;

FIG. 3 is a front elevational view thereof;

FIG. 4 is a left side elevational view thereof;

FIG. 5 is a right side elevational view thereof;

FIG. 6 is a rear elevational view thereof; and,

FIG. 7 is a top plan view thereof.

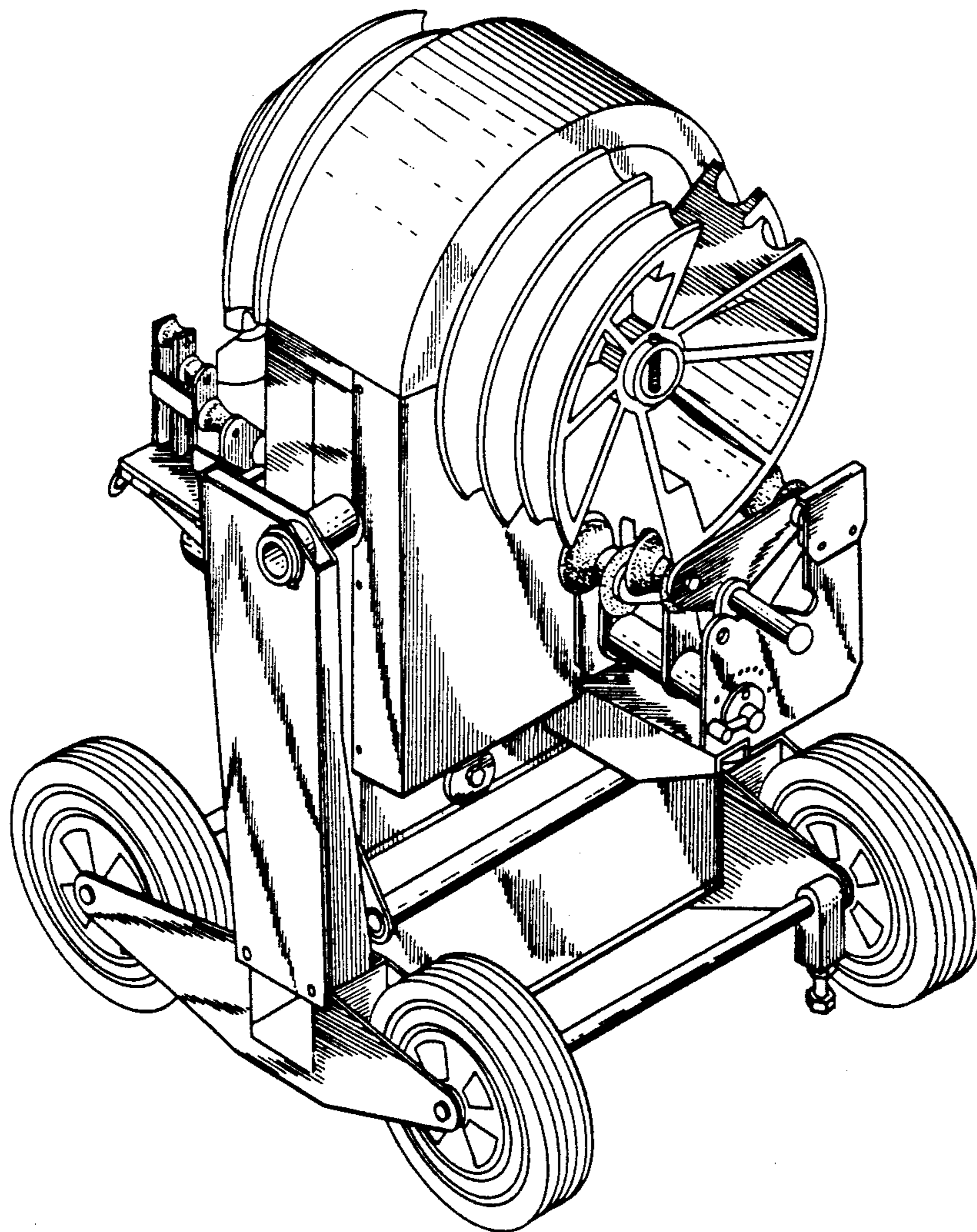


FIG. 1

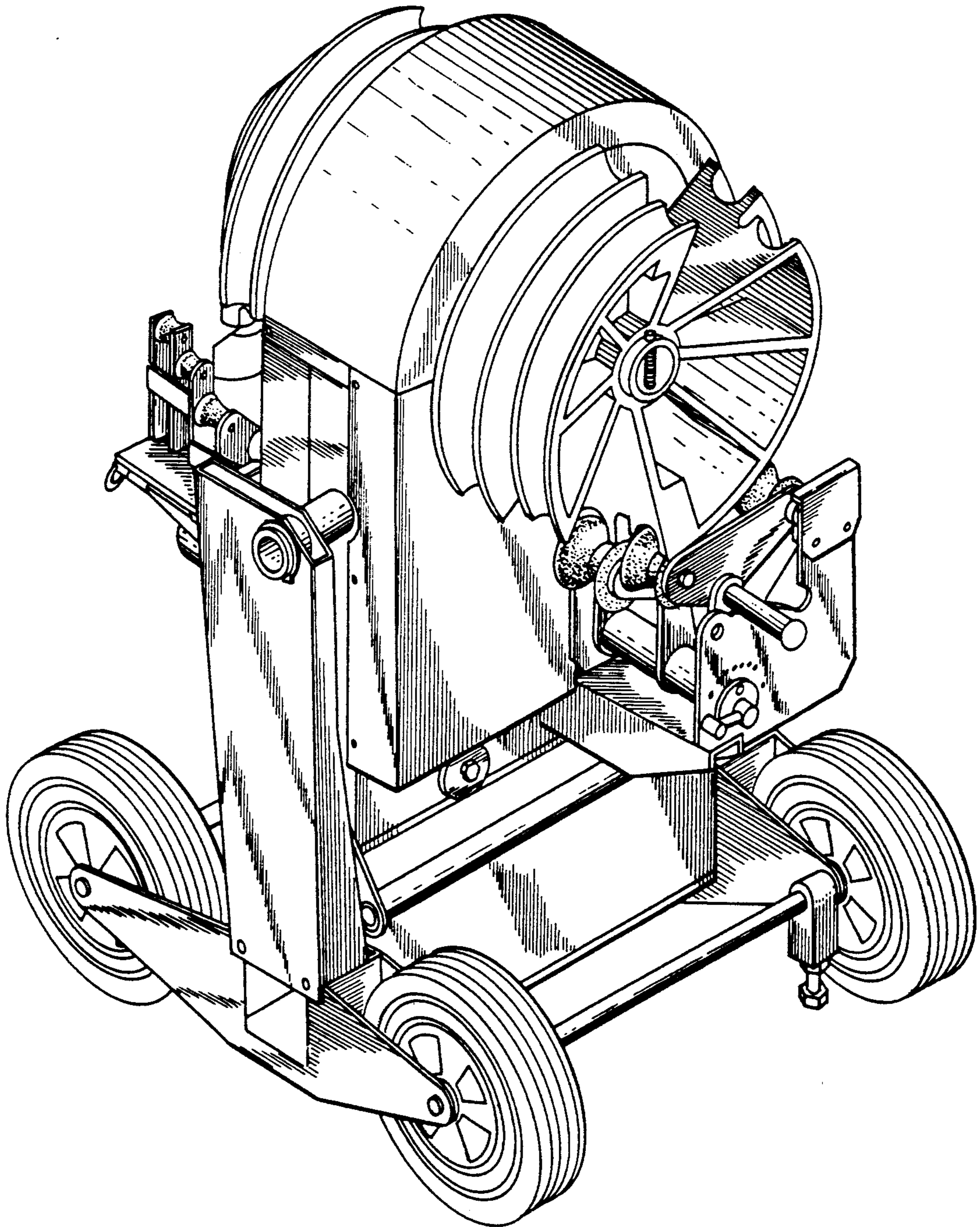


FIG. 2

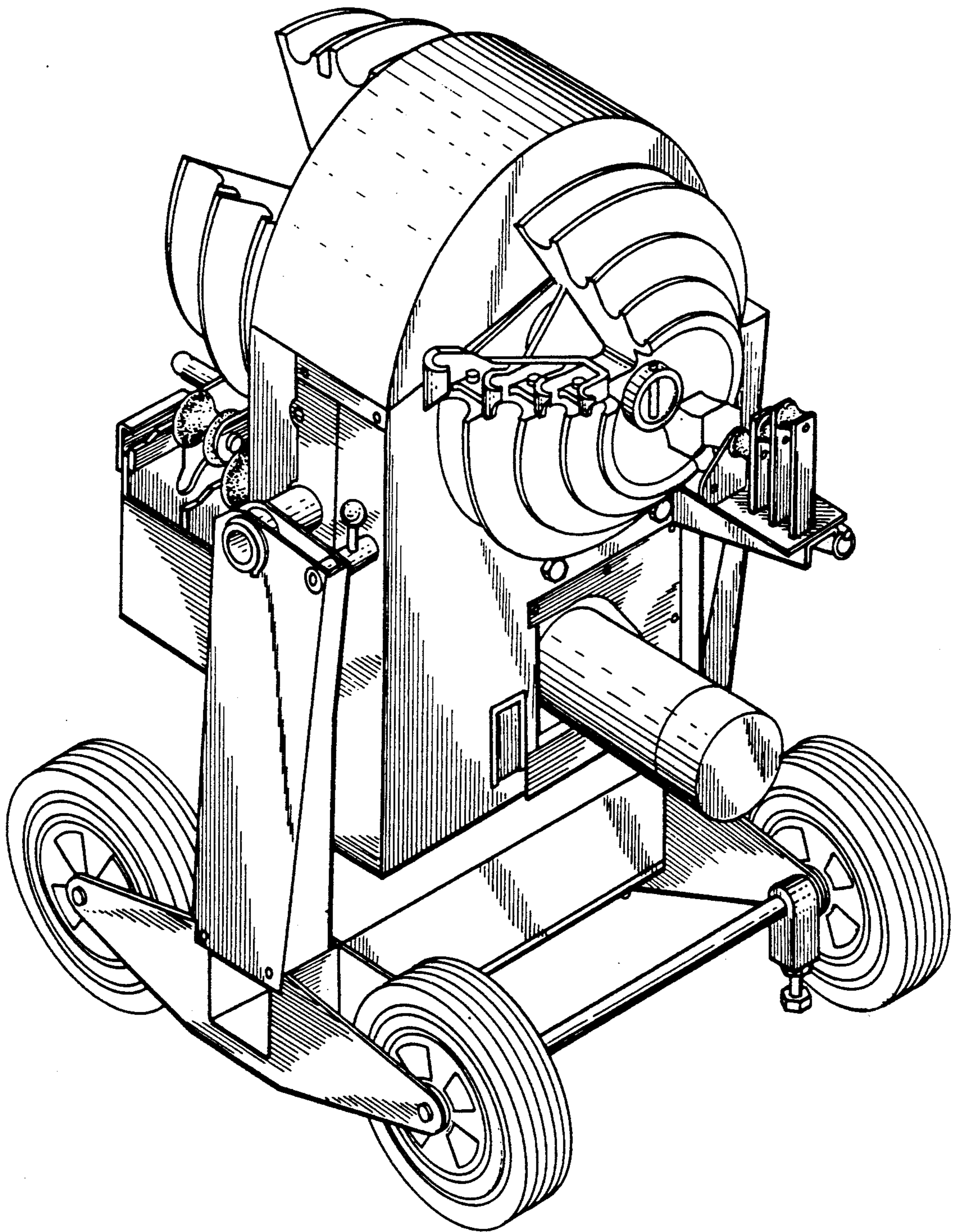


FIG. 4

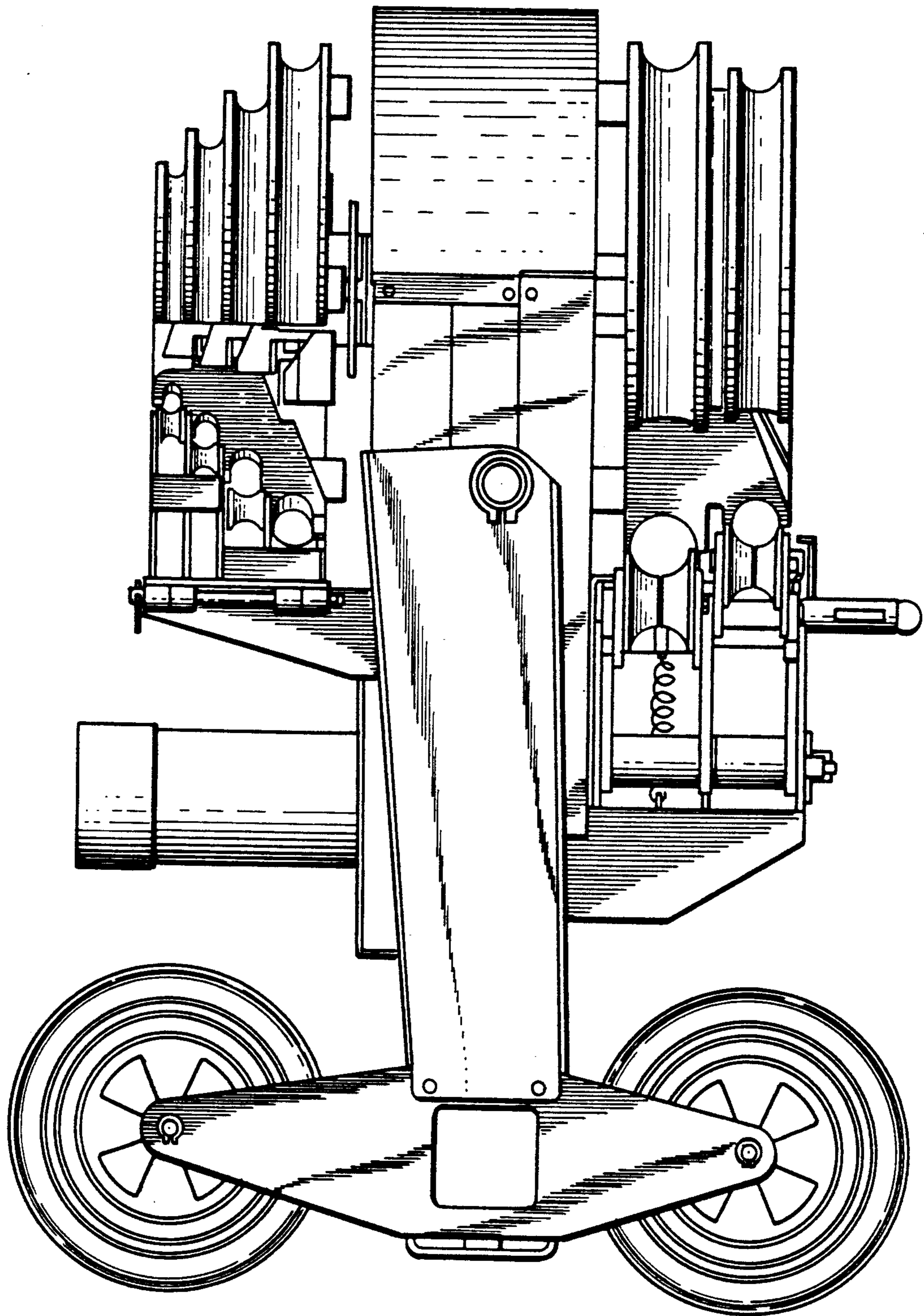


FIG. 3

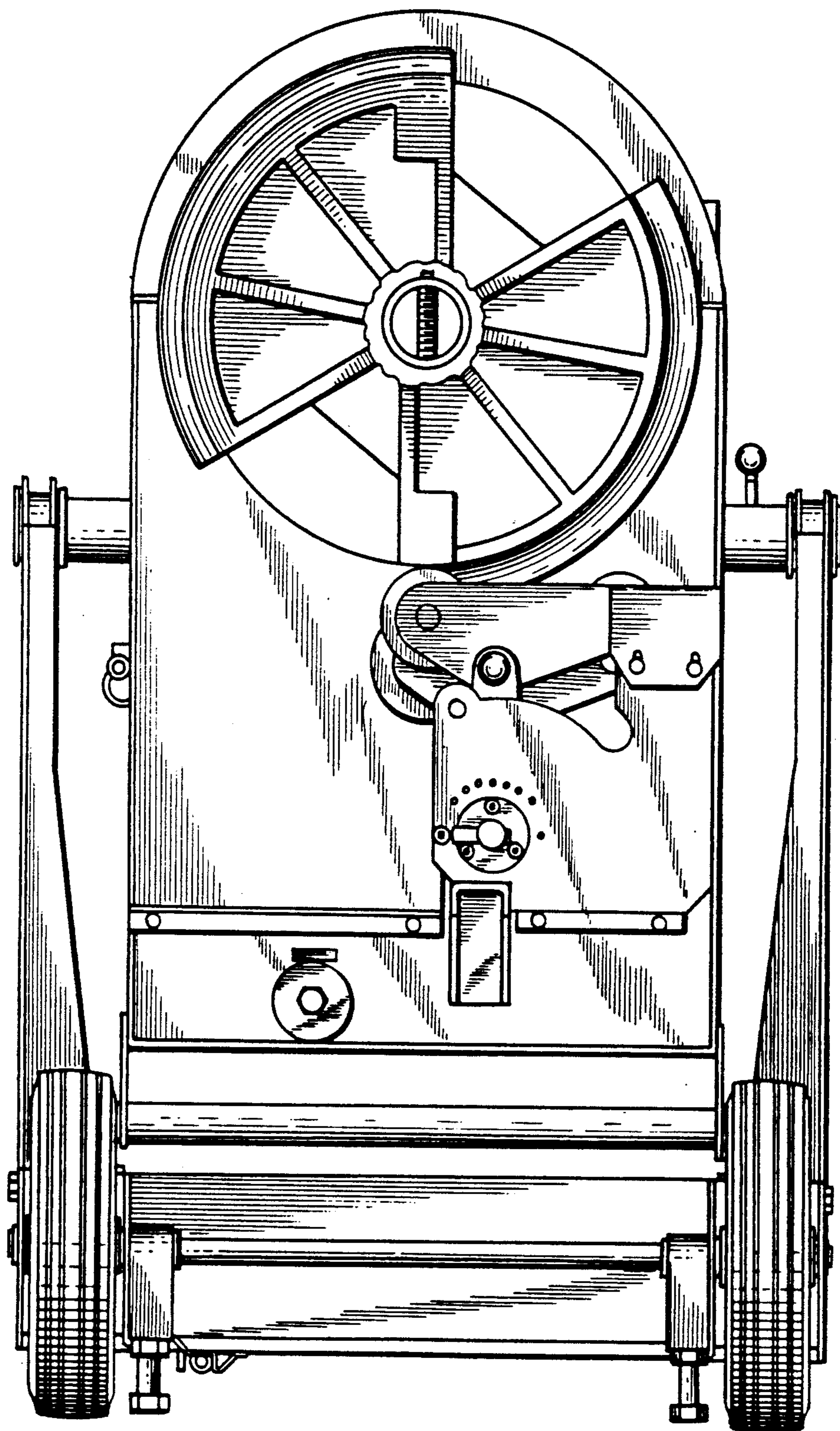


FIG. 5

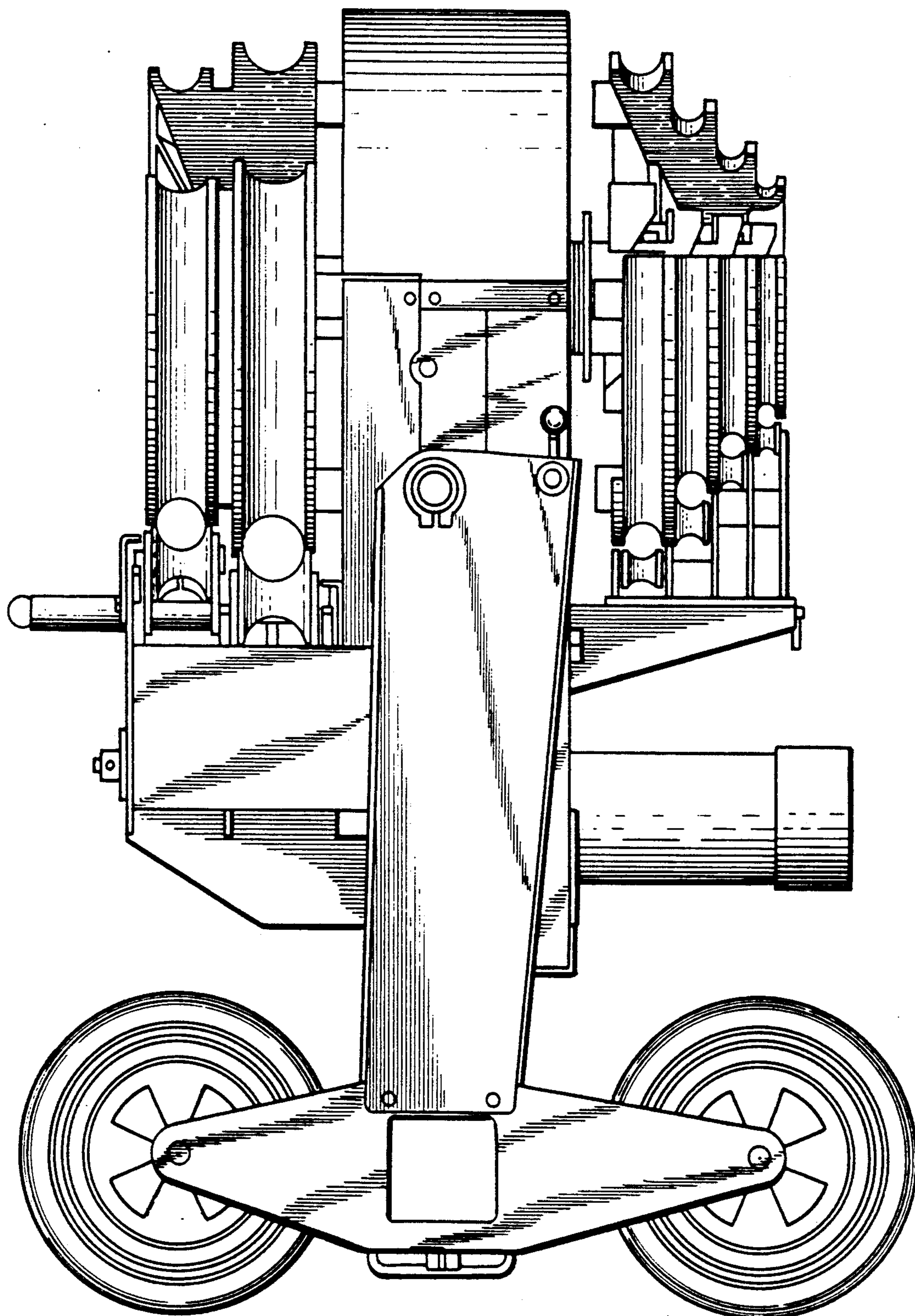


FIG. 6

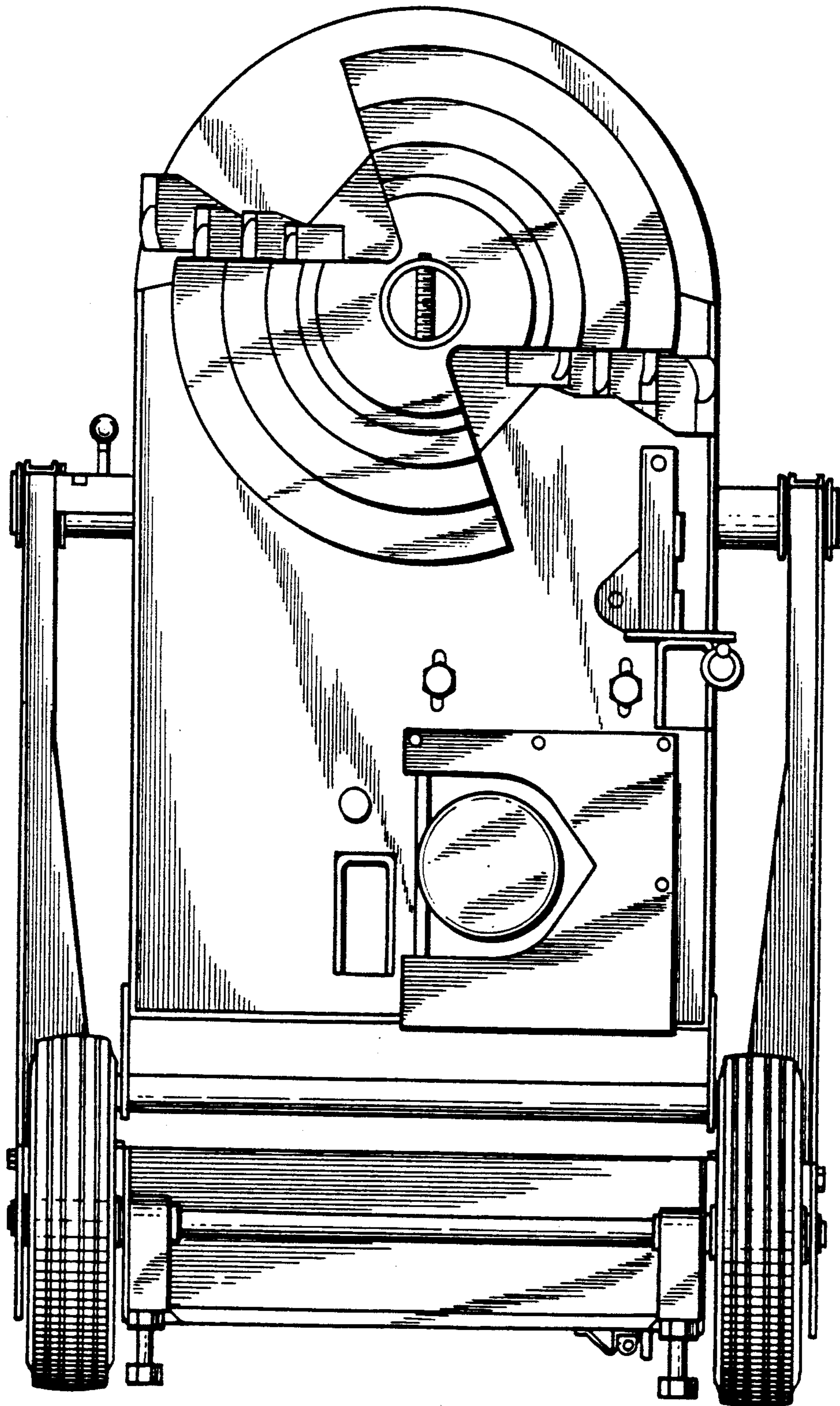


FIG. 7

