



US00D345739S

# United States Patent [19]

[11] Patent Number: **Des. 345,739**

Potts et al.

[45] Date of Patent: **\*\* Apr. 5, 1994**

## [54] RADIO PAGER CODE PROGRAMMER

[75] Inventors: **Anthony M. Potts, Lauderdale Lakes; Scott J. Hanlon, Lantana,** both of Fla.

[73] Assignee: **Motorola, Inc., Schaumburg, Ill.**

[\*\*] Term: **14 Years**

[21] Appl. No.: **740,208**

[22] Filed: **Aug. 5, 1991**

[52] U.S. Cl. .... **D14/299; D13/107;**  
D13/108

[58] Field of Search ..... **455/347, 351, 38.5,**  
**455/33.2, 38.2, 38.1; D13/108; D14/191, 137,**  
**107**

## [56] References Cited

### U.S. PATENT DOCUMENTS

D. 259,423	6/1981	Root et al. ....	D14/137
D. 297,827	9/1988	Lay .....	D13/108
D. 301,473	6/1989	Rojc .....	D14/137
D. 324,024	2/1992	Nagele et al. ....	D13/108
D. 329,221	9/1992	Khoo .....	D13/107
D. 334,183	3/1993	Malon et al. ....	D14/299 X
4,417,246	11/1983	Agnor et al. ....	455/385 X
4,879,759	11/1989	Matsumoto et al. ....	455/351 X

## OTHER PUBLICATIONS

Motorola; Single Unit Charger; p. 3 upper left corner; Dec. 18, 1989 Brochure.

"Bravo Express" Personal Pocket-Size Pager Catalog Sheet R3-5-162, published 1992 by Motorola, Inc.

"Bravo Express" Software User's Guide and Programmer Maintenance Manual 68P81012B01-O, copyright 1991 by Motorola, Inc., pp. iii, 2 3, 22 and 23.

*Primary Examiner*—Bernard Ansher

*Assistant Examiner*—Mitchell Siegel

*Attorney, Agent, or Firm*—Philip P. Macnak; Thomas G. Berry; Daniel R. Collopy

## [57] CLAIM

The ornamental design for a radio pager code programmer, as shown and described.

## DESCRIPTION

FIG. 1 is a top plan view of a radio pager code programmer showing our new design;

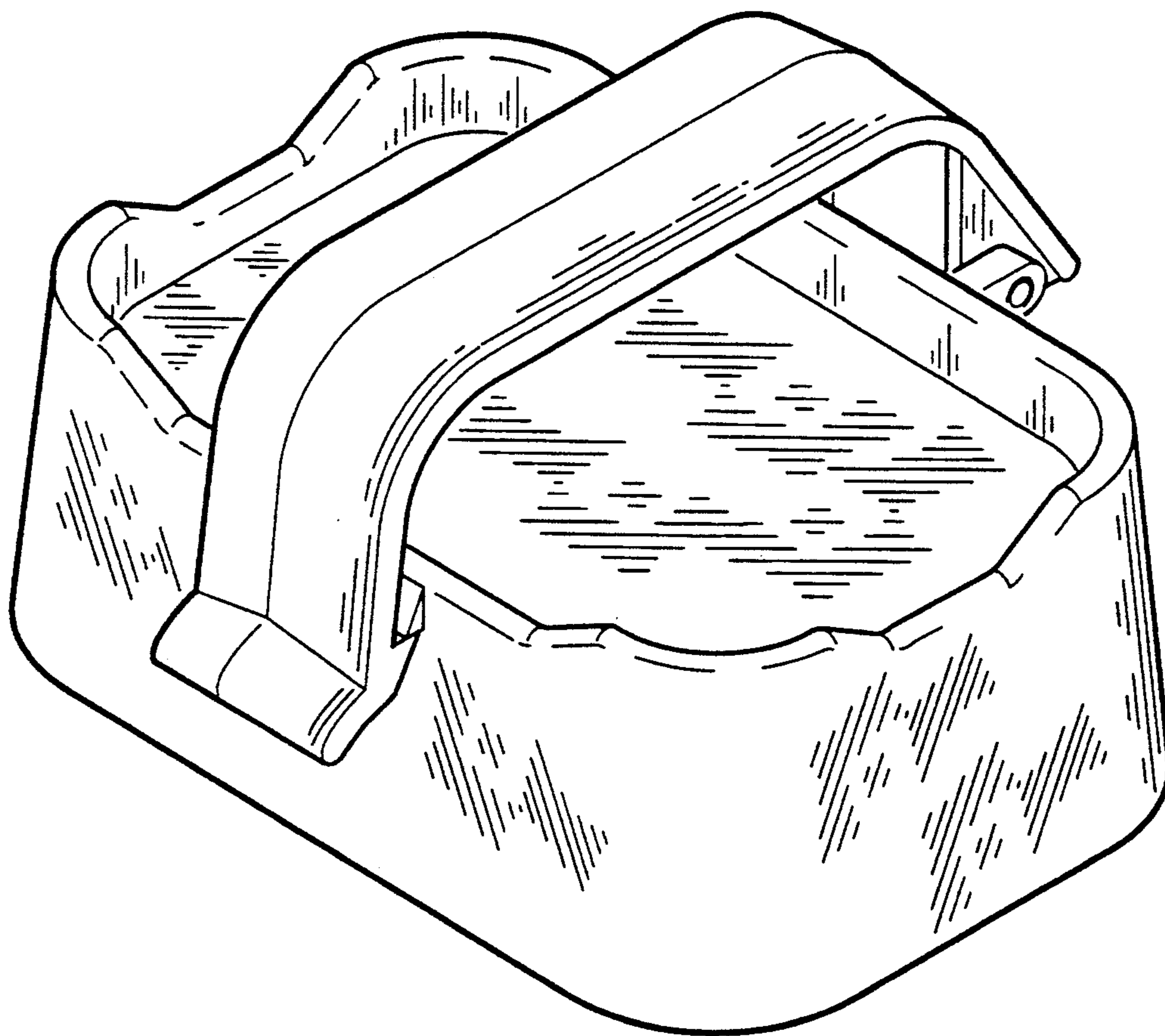
FIG. 2 is a front elevational view thereof;

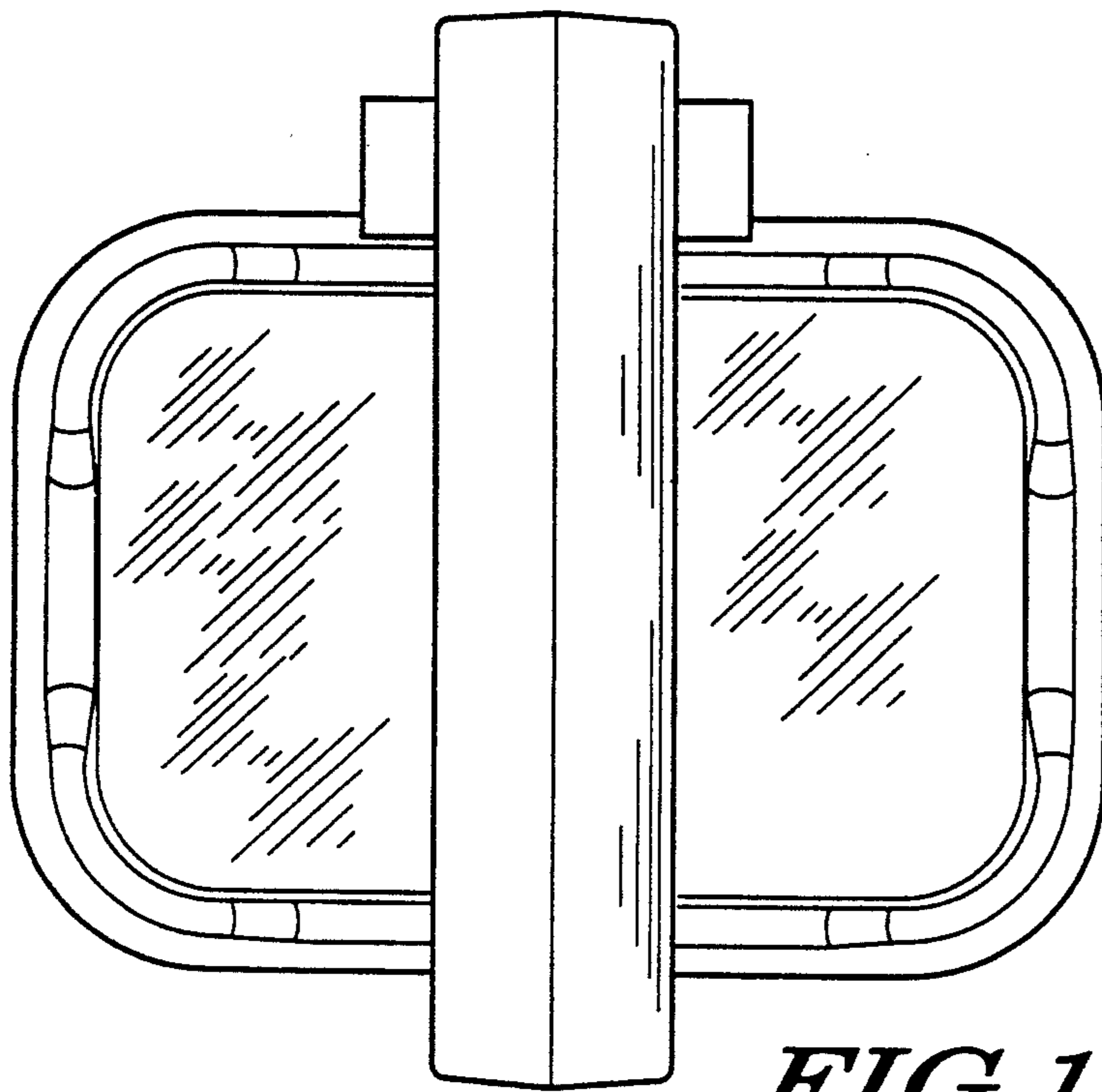
FIG. 3 is a right side elevational view thereof;

FIG. 4 is a bottom elevational view thereof;

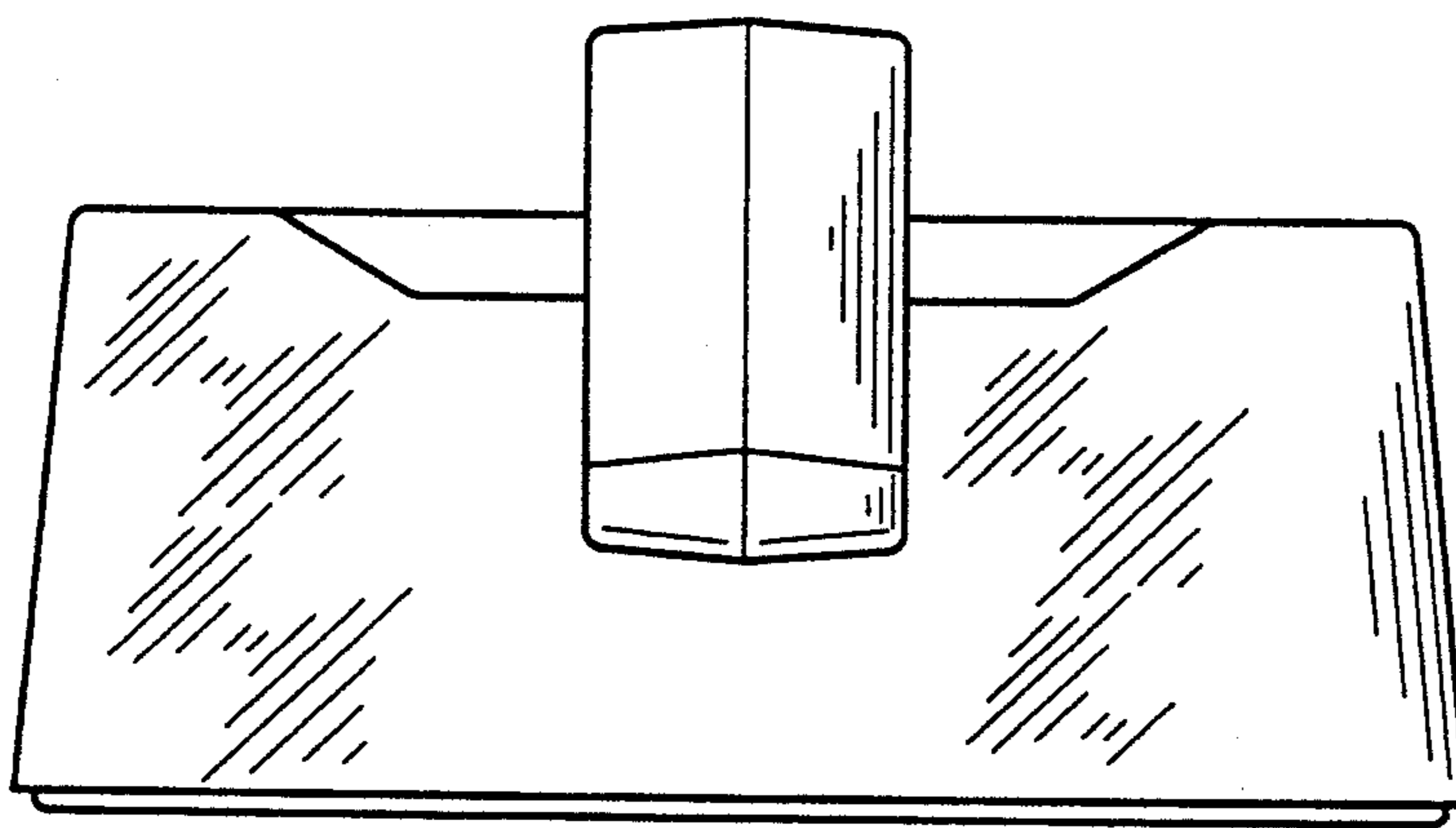
FIG. 5 is a rear plan view thereof; and,

FIG. 6 is a top, right and front perspective view thereof.

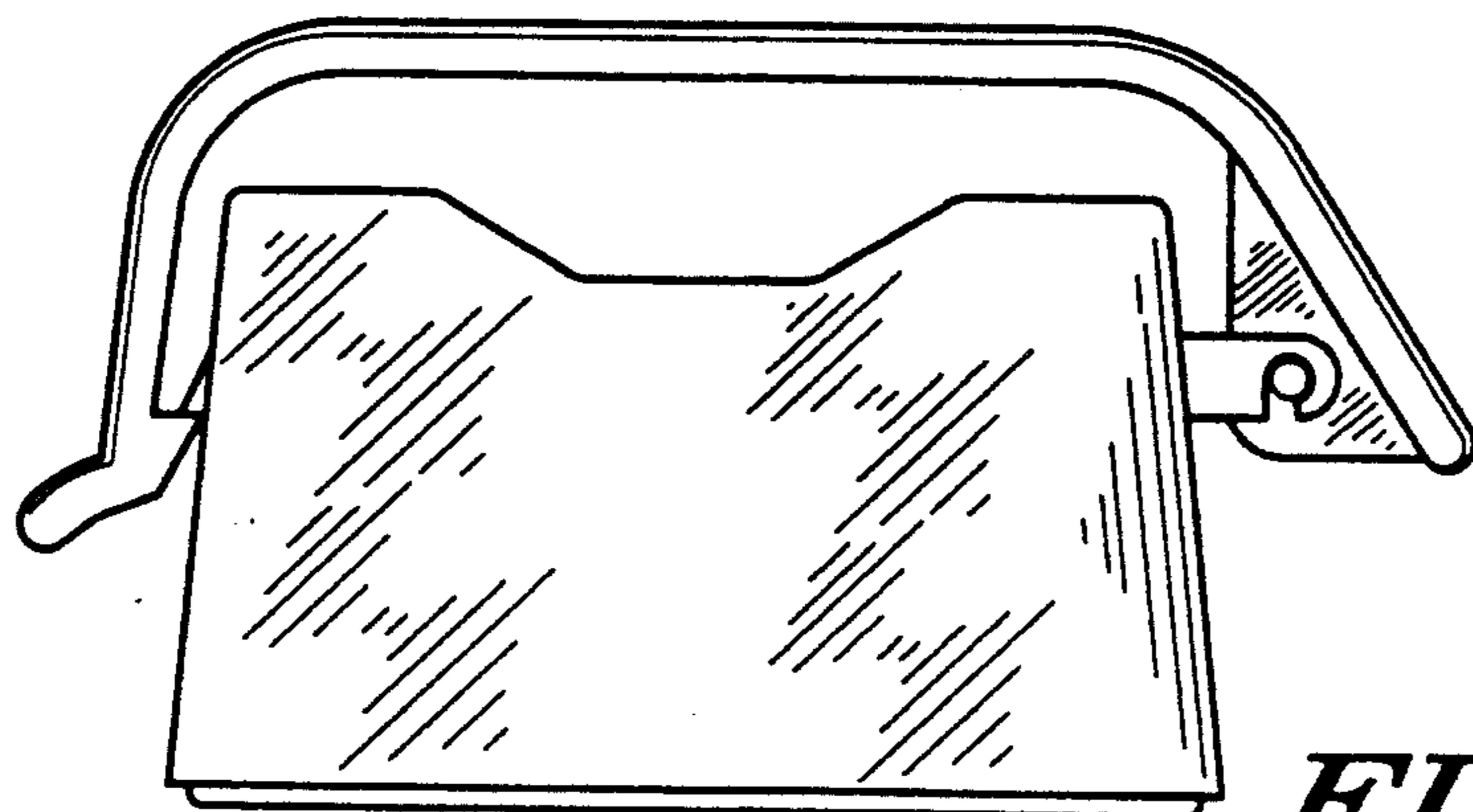




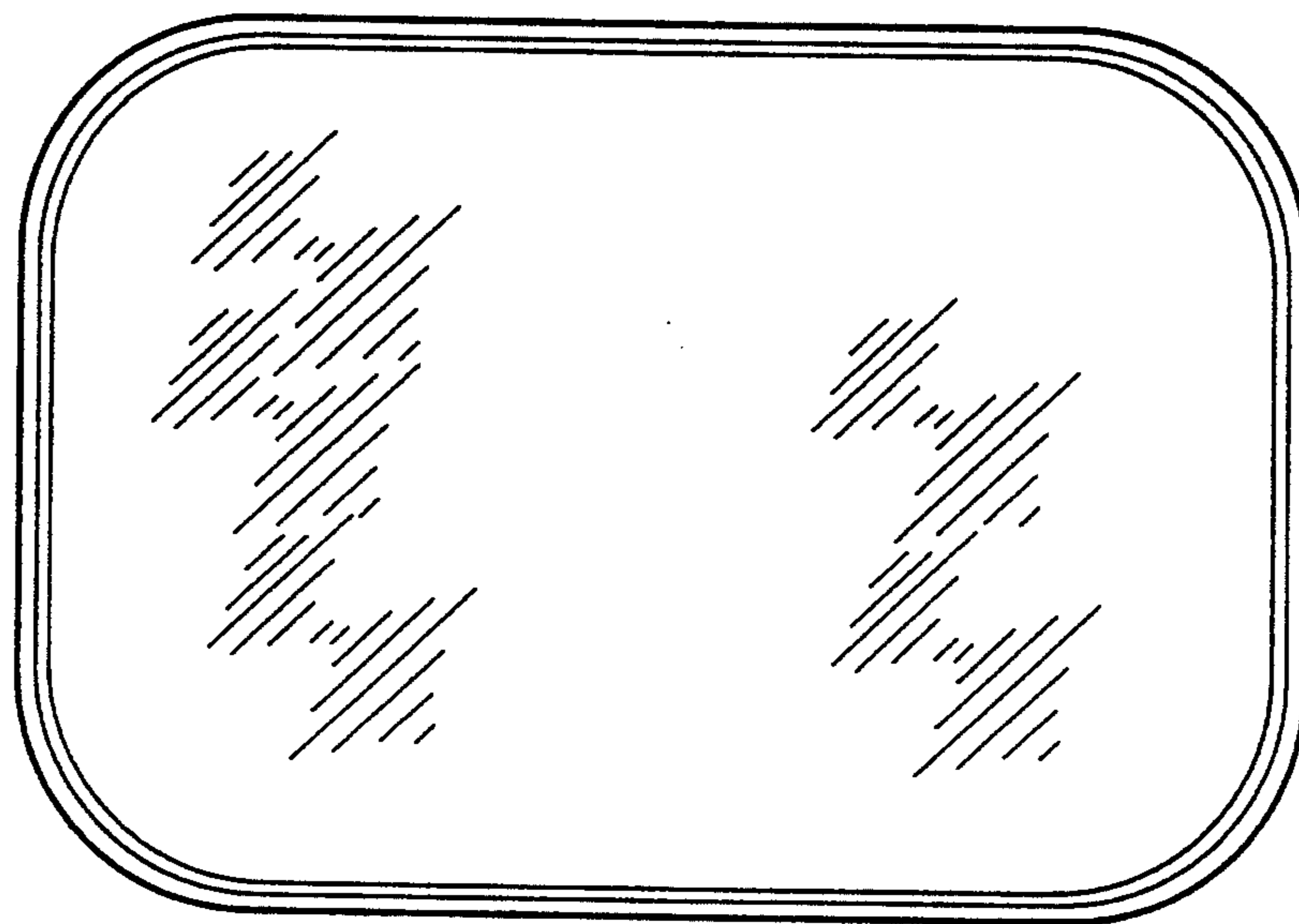
**FIG. 1**



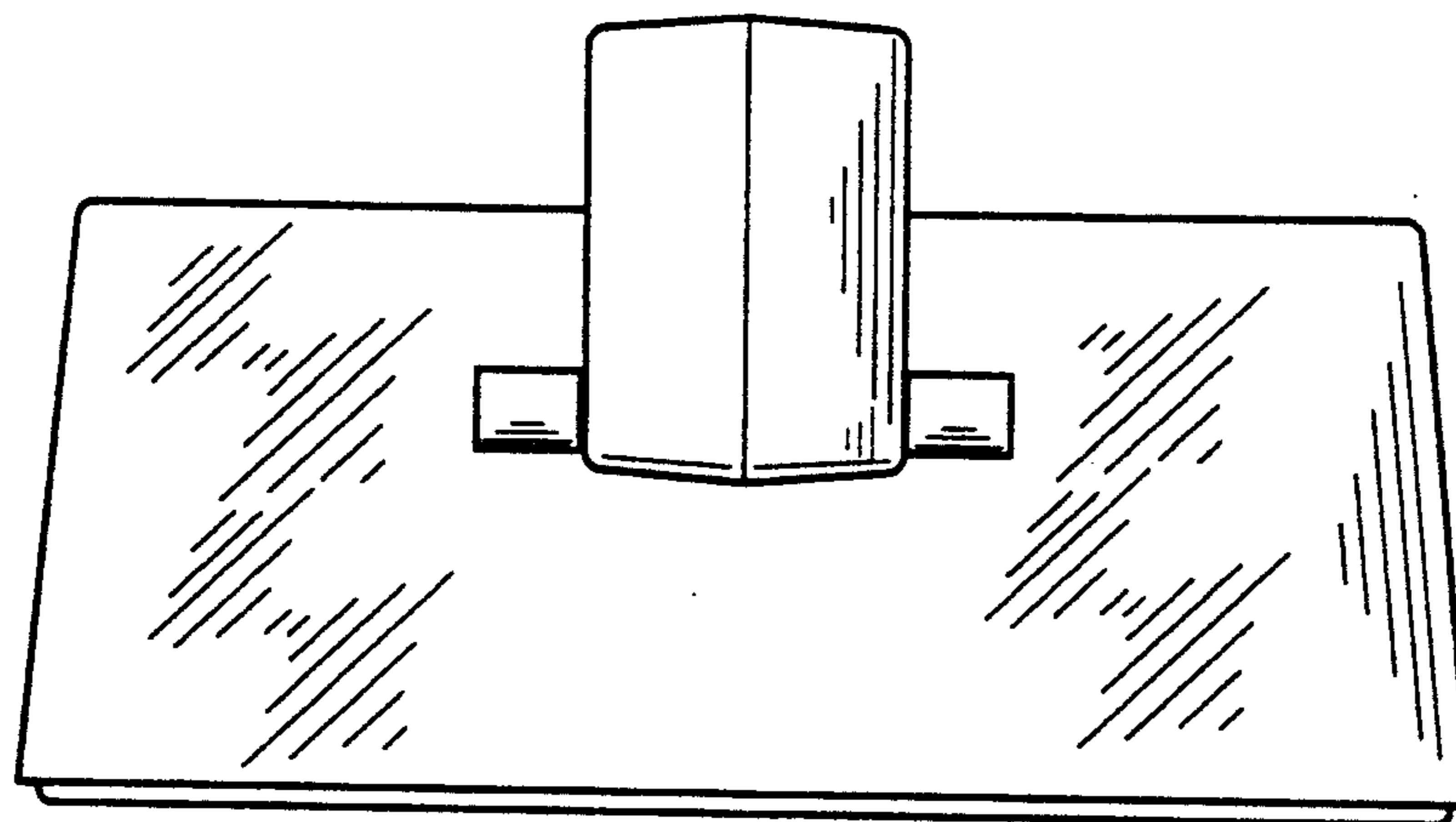
**FIG. 2**



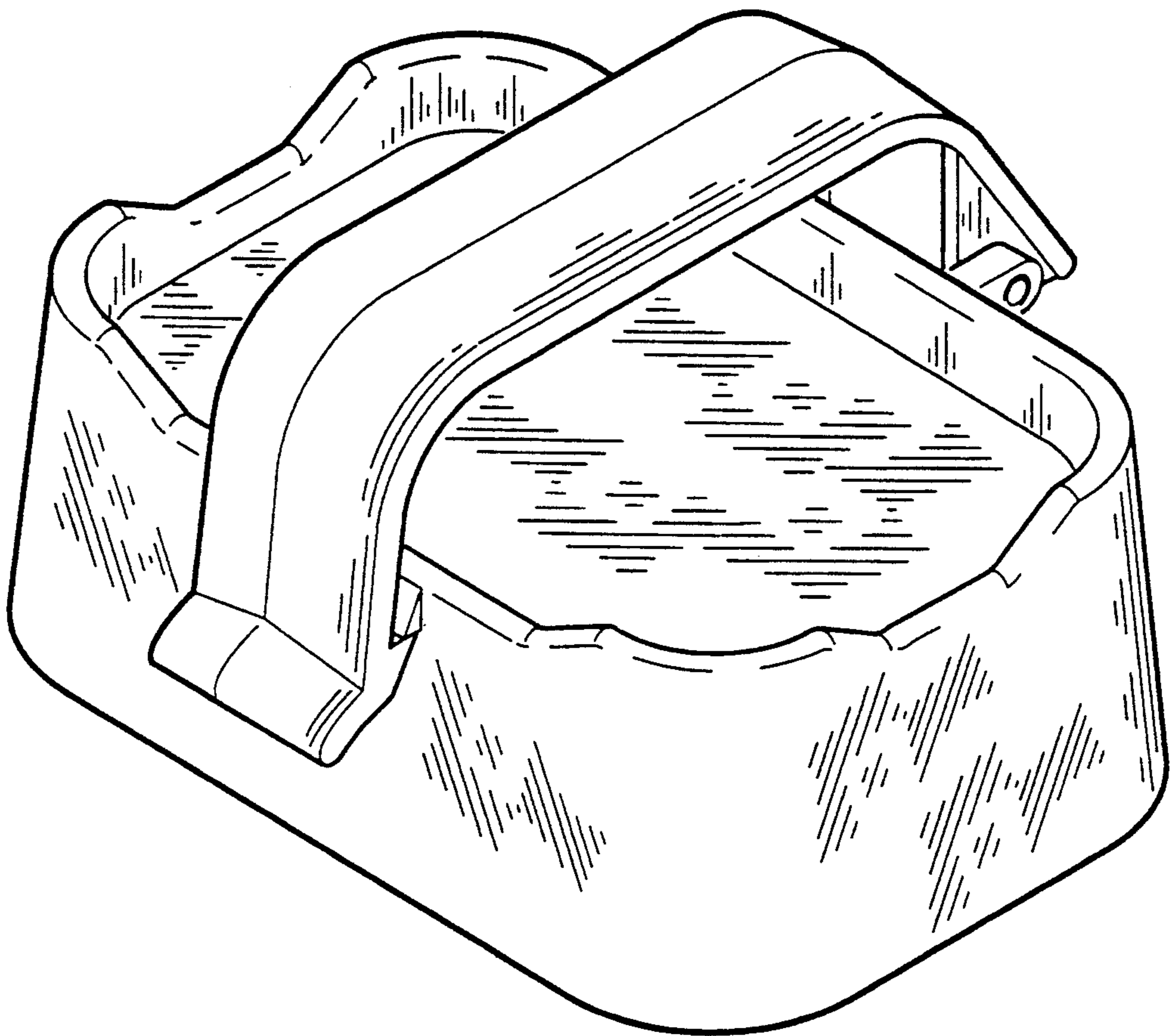
**FIG. 3**



**FIG. 4**



**FIG. 5**



***FIG. 6***