



US00D345738S

# United States Patent [19]

[11] Patent Number: **Des. 345,738**

Lee

[45] Date of Patent: **\*\* Apr. 5, 1994**

[54] **HAND HELD TELEVISION SET HANDLE**

4,746,944 5/1988 Hiesinger ..... 354/82

[75] Inventor: **Mike Lee, Hacienda Heights, Calif.**

*Primary Examiner*—Melvin B. Feifer

[73] Assignee: **American Action Inc., Pomona, Calif.**

*Assistant Examiner*—M. Siegel

[\*\*] Term: **14 Years**

*Attorney, Agent, or Firm*—Christie, Parker & Hale

[21] Appl. No.: **725,271**

[57] **CLAIM**

[22] Filed: **Jul. 3, 1991**

The ornamental design for hand held television set handle, as shown and described.

[52] U.S. Cl. .... **D14/299**

**DESCRIPTION**

[58] Field of Search ..... **D8/107; D3/1; 16/110 R, 16/DIG. 12; 354/82, 293; D14/124, 239, 299; D16/206, 242, 243**

FIG. 1 is a perspective view of a hand held television set handle showing my new design;

FIG. 2 is a top plan view thereof;

FIG. 3 is a right side elevational view of FIG. 2, the undisclosed opposite side being a mirror image;

FIG. 4 is a bottom plan view of FIG. 2;

FIG. 5 is a rear elevational view of FIG. 2;

FIG. 6 is a front elevational view of FIG. 2; and,

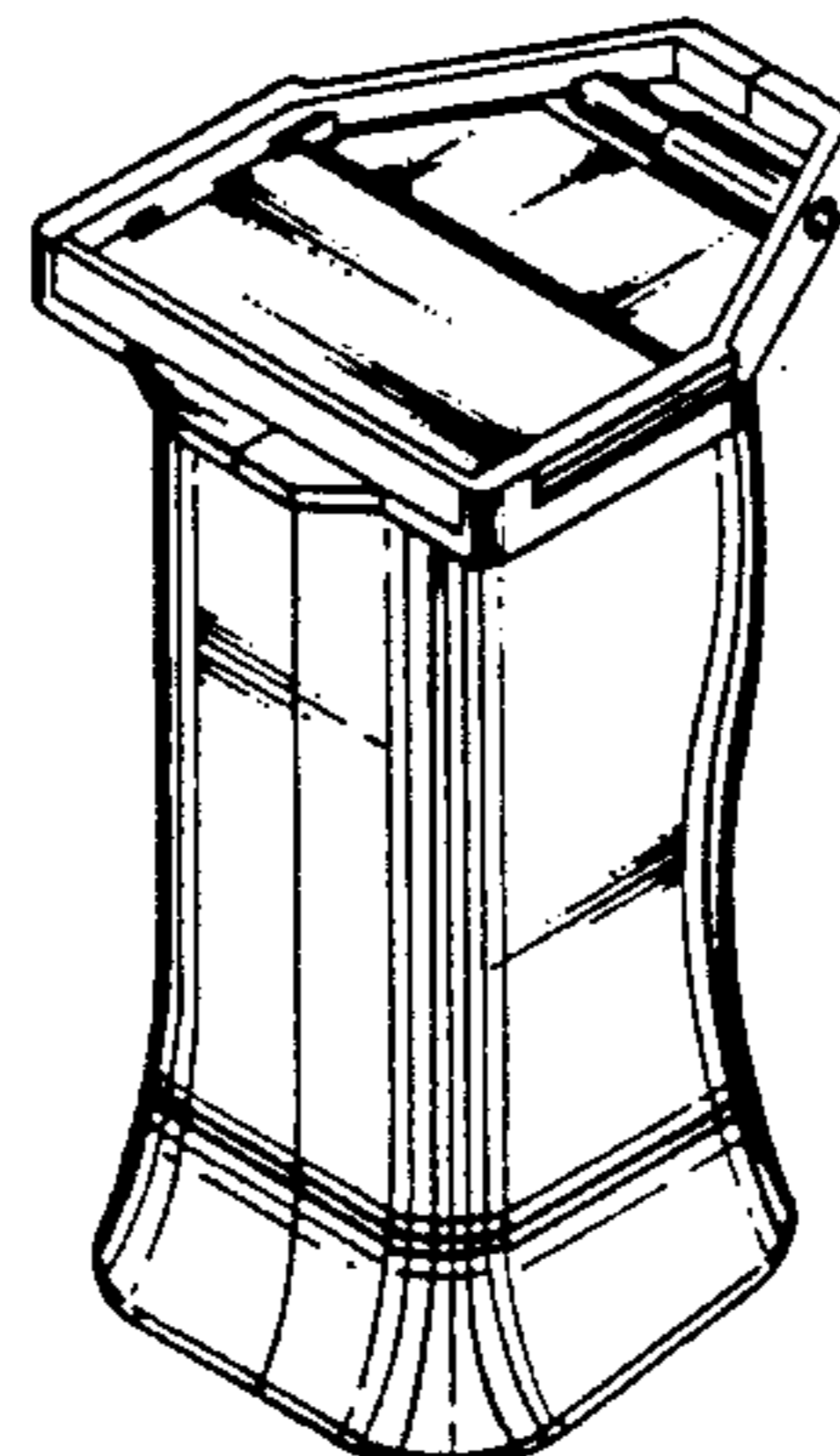
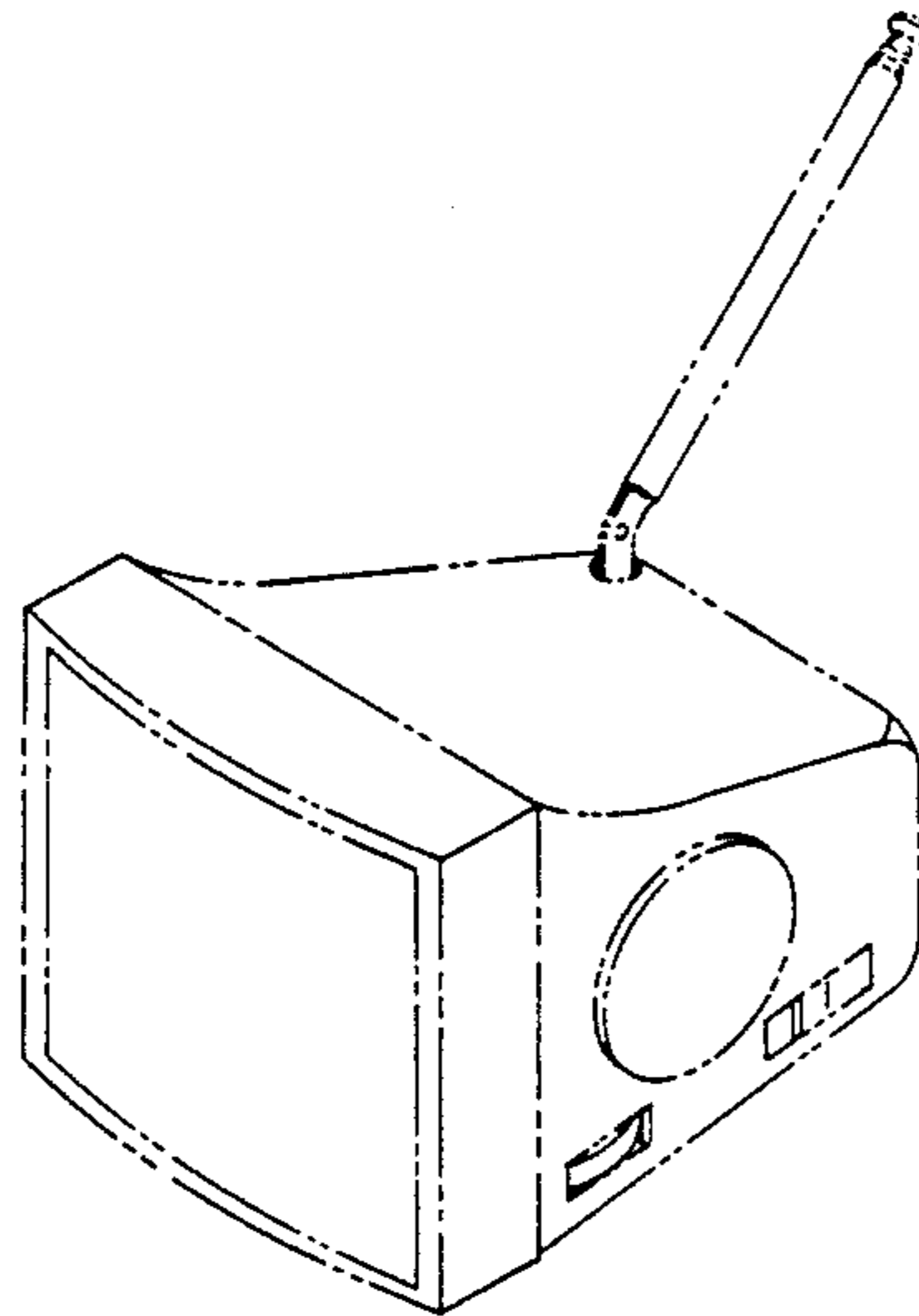
FIG. 7 is an exploded perspective view of FIG. 1.

The broken line showing of a television set is for illustrative purposes only and forms no part of the claimed design.

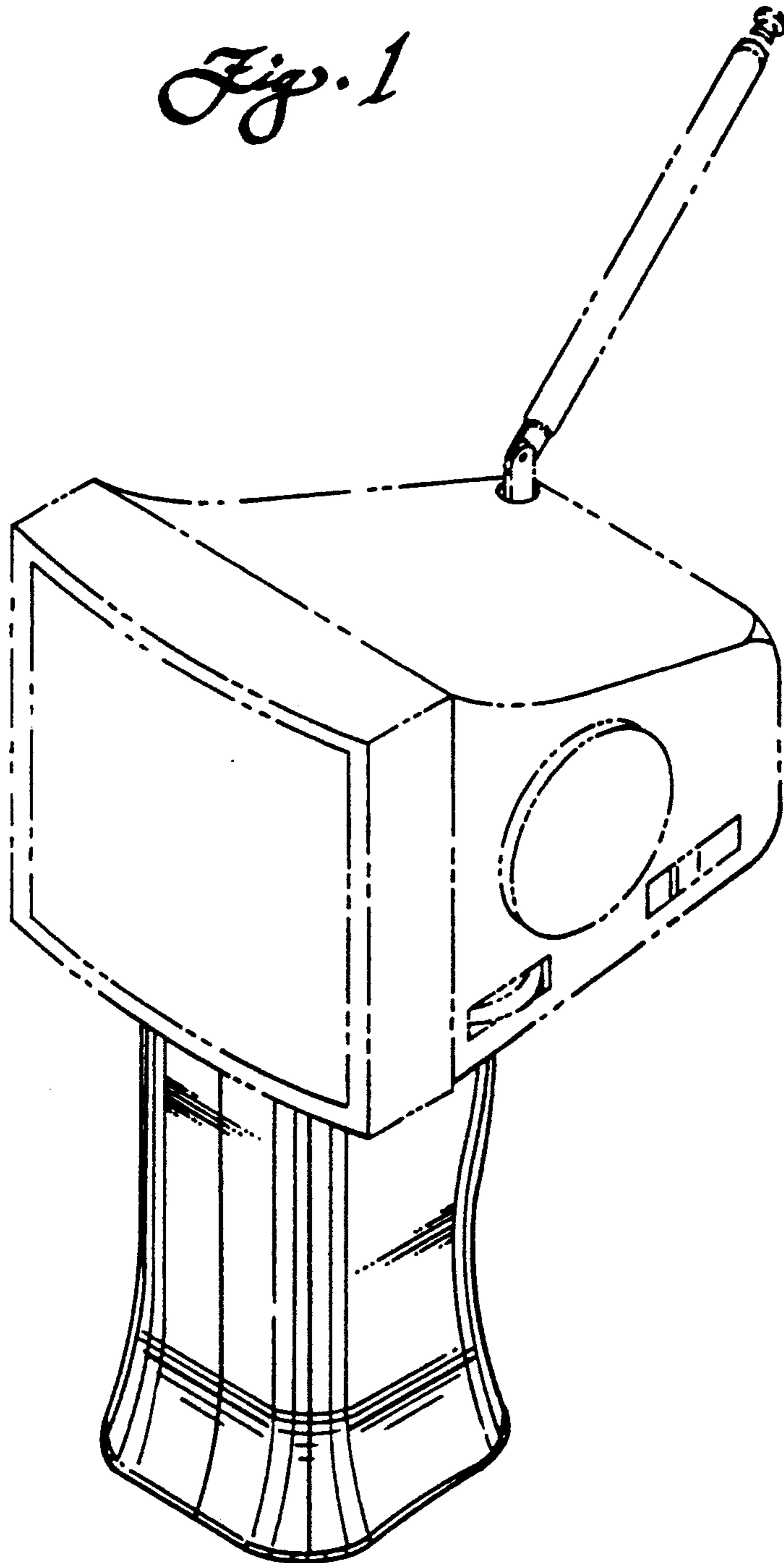
[56] **References Cited**

**U.S. PATENT DOCUMENTS**

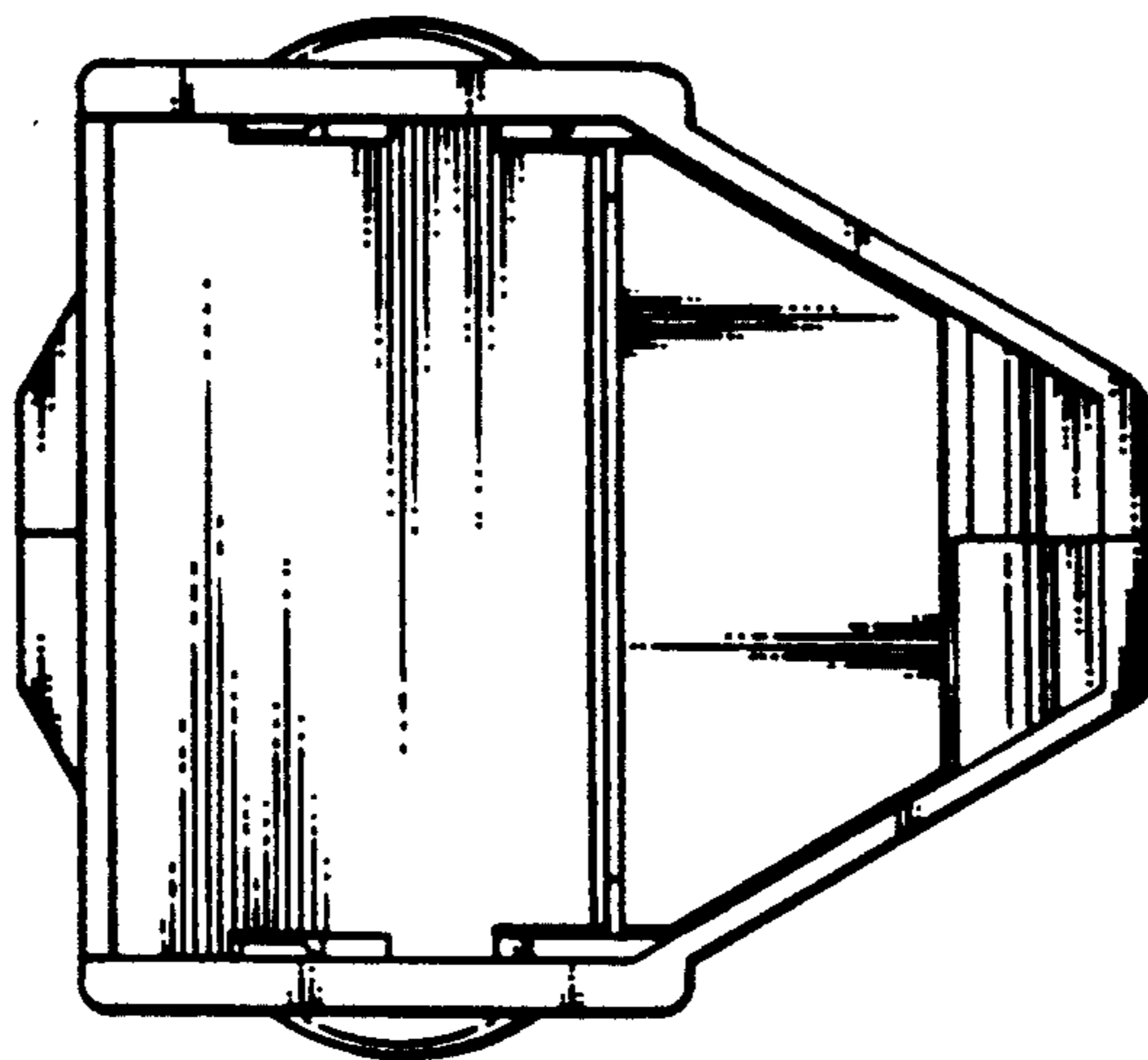
D. 159,836	8/1950	Nerman	.....	D16/243
D. 196,010	8/1963	Kubnick	.....	D16/243
D. 223,411	4/1972	Emmerling	.....	D16/206
4,221,477	9/1980	Prochnow et al.	.....	354/82
4,381,579	5/1983	Rumpp	.....	D8/107 X
4,727,390	2/1988	Brown	.....	354/82



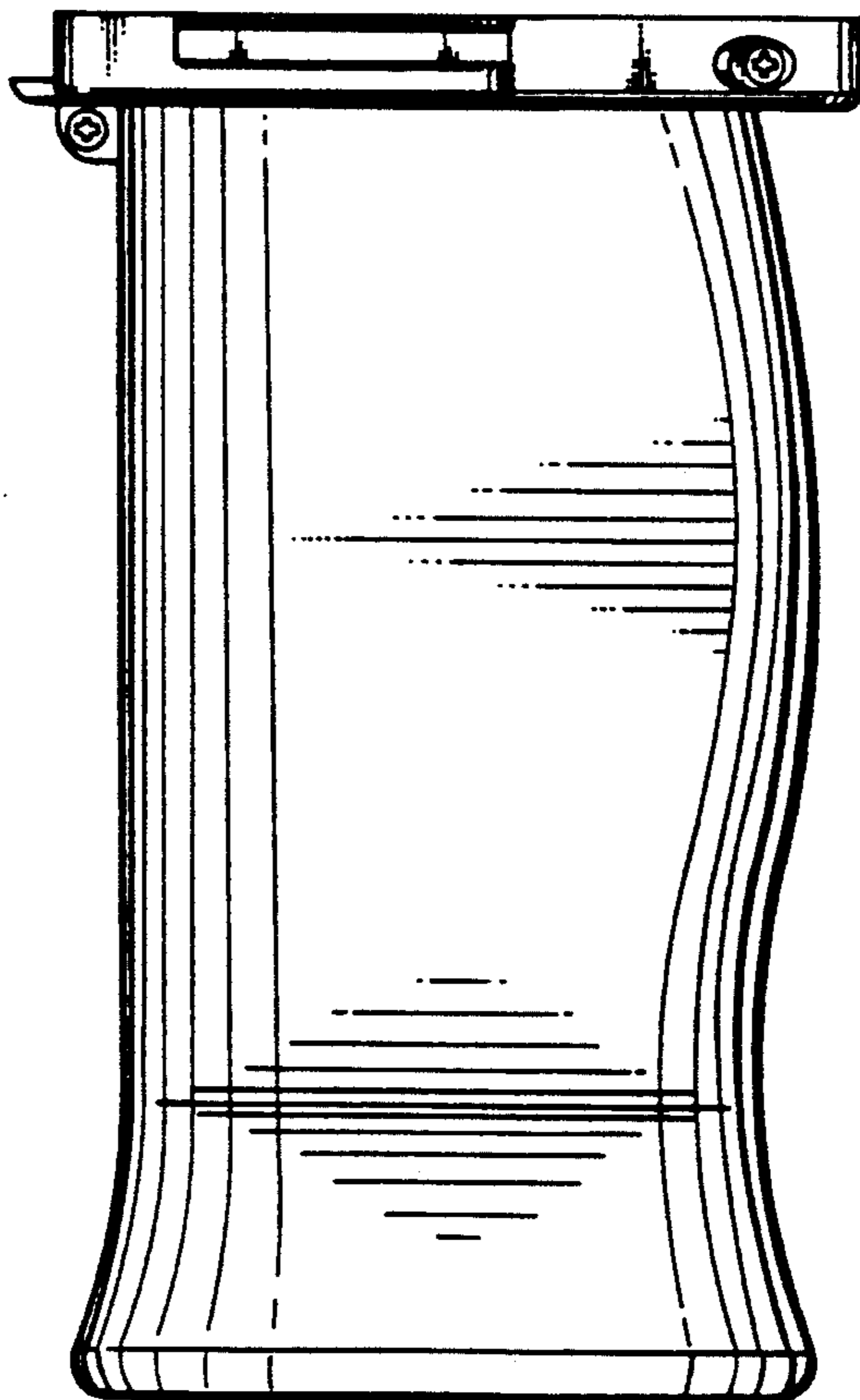
*Fig. 1*



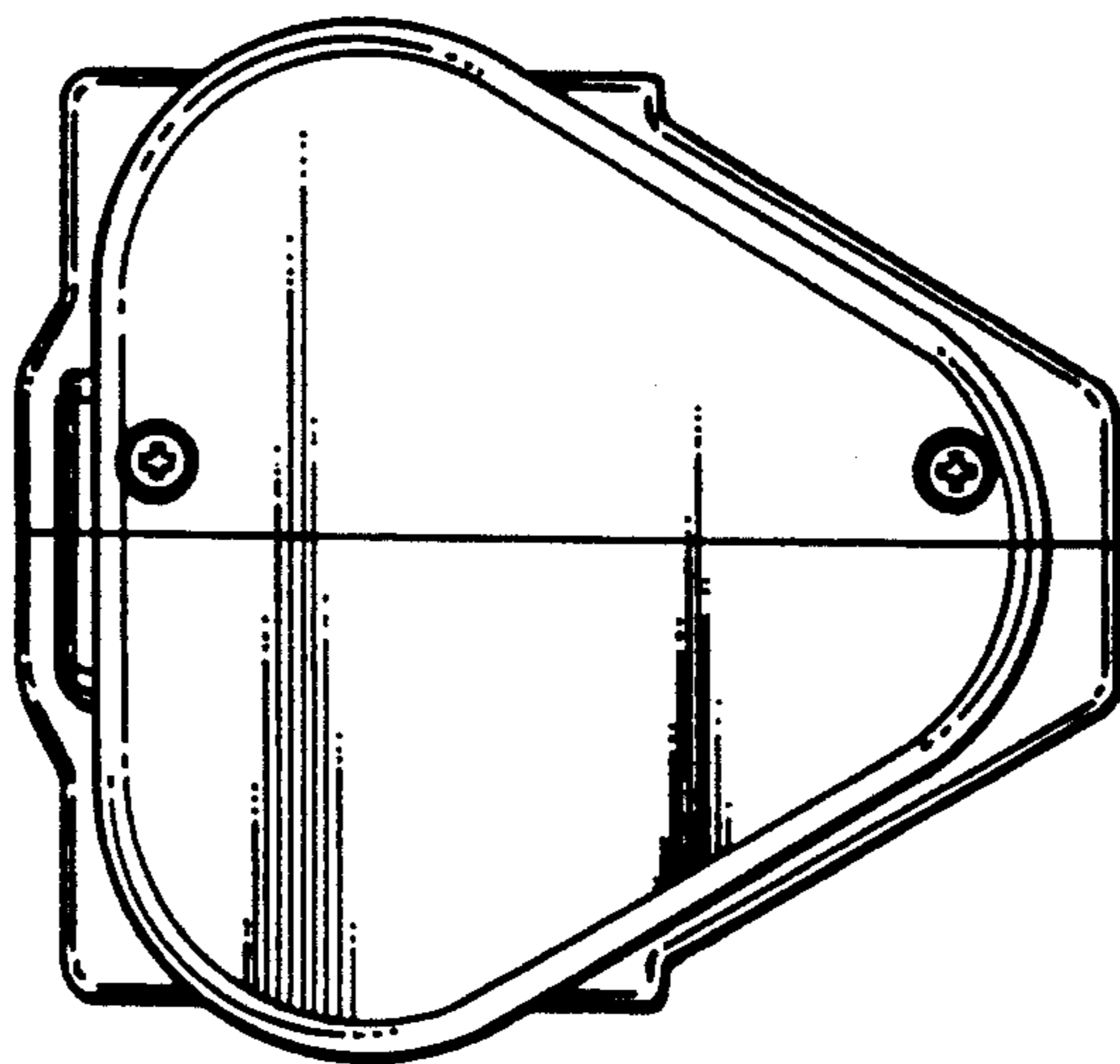
*Fig. 2*



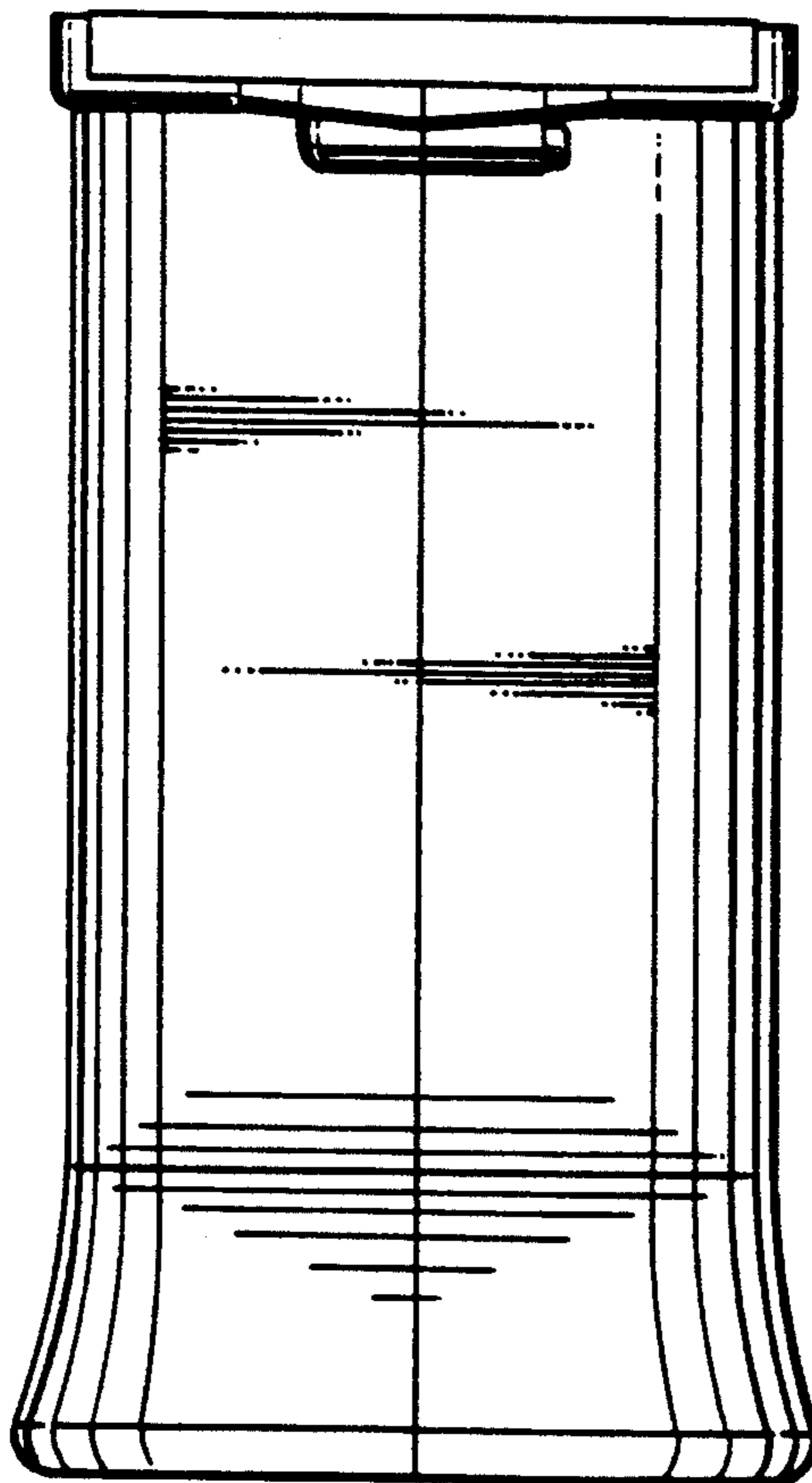
*Fig. 3*



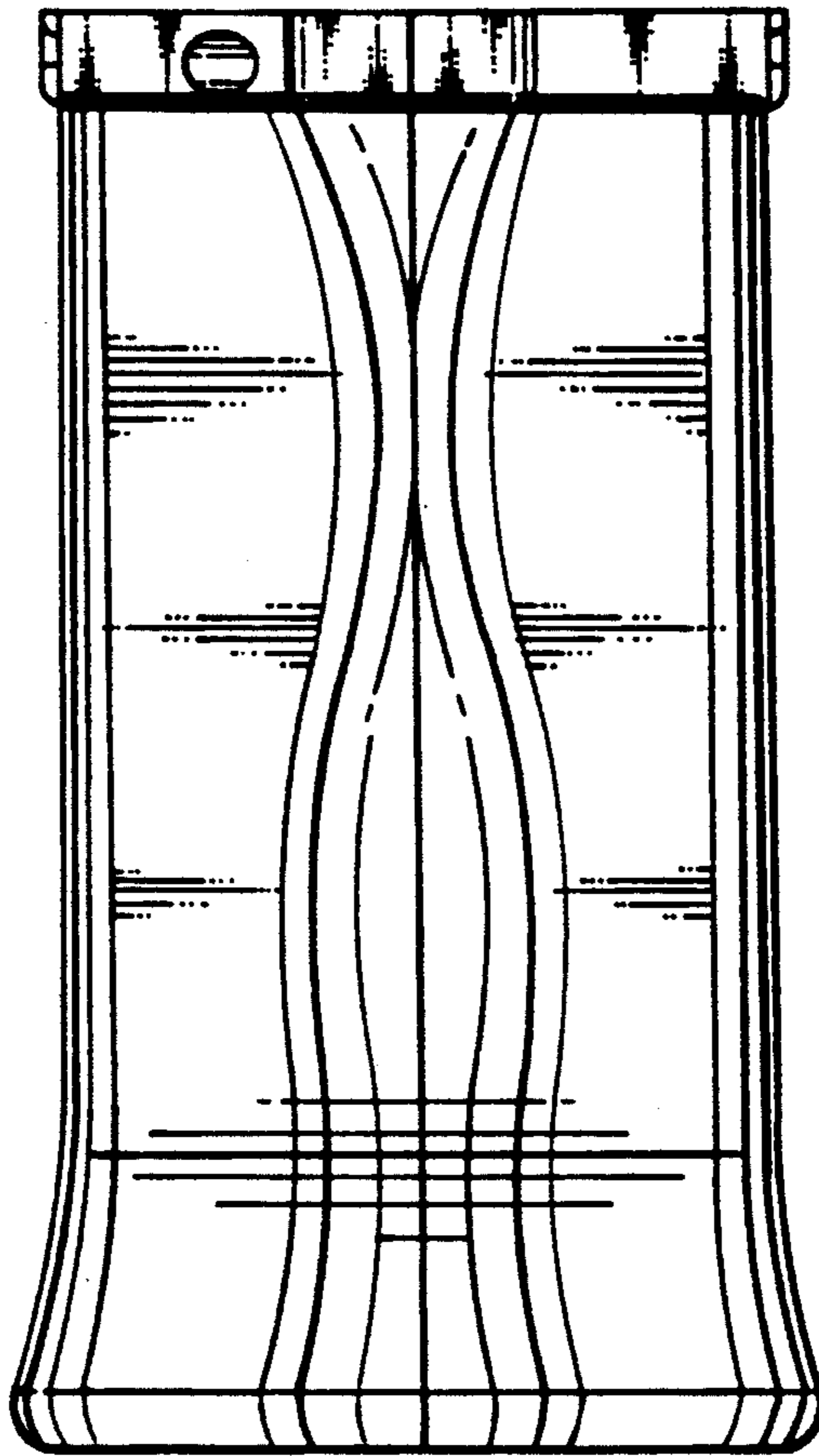
*Fig. 4*

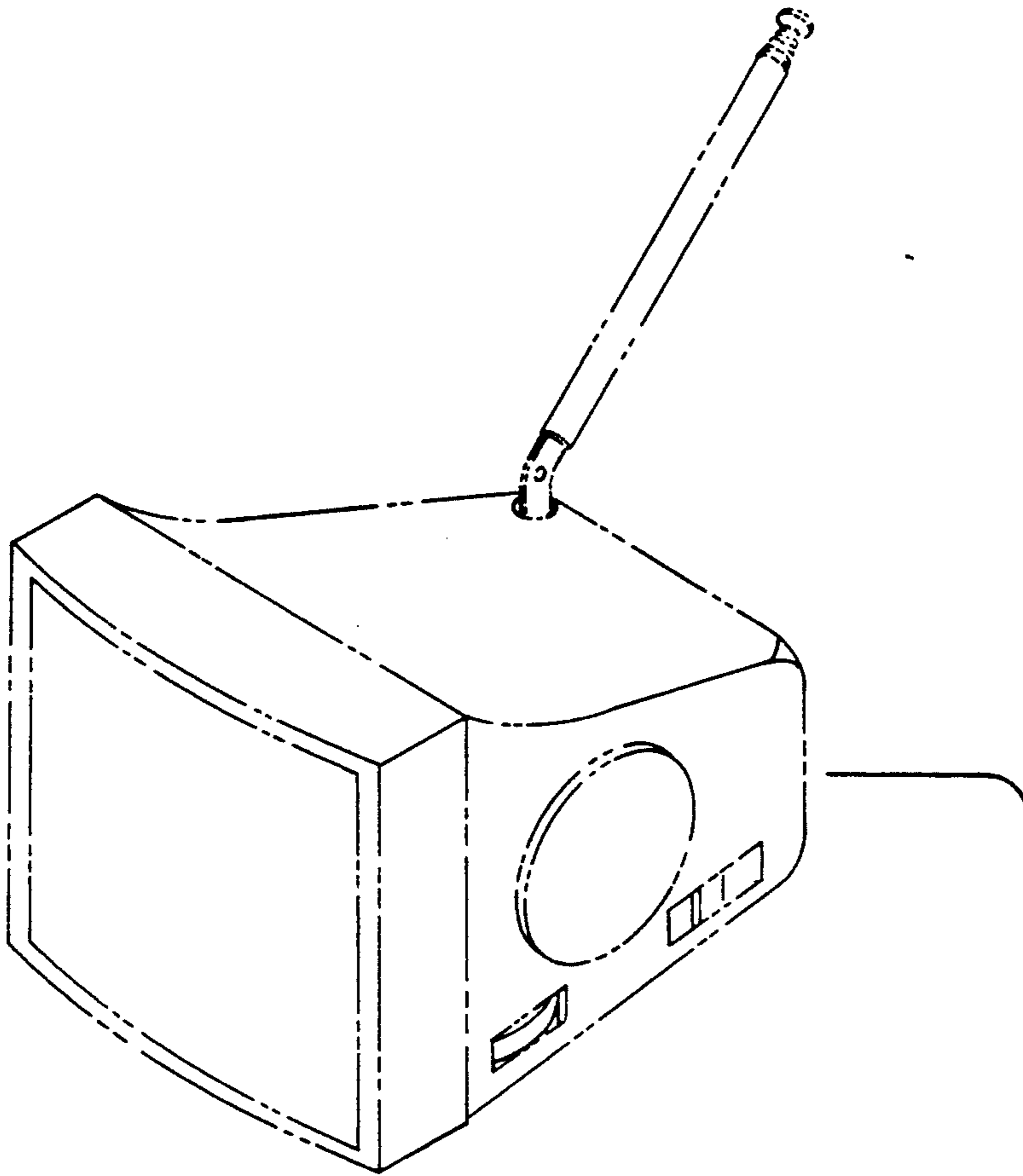


*Fig. 5*



*Fig. 6*





*Fig. 7*

