



US00D345737S

United States Patent [19]

[11] Patent Number: **Des. 345,737**

Muccioli et al.

[45] Date of Patent: **** Apr. 5, 1994**

[54] **FRONT PANEL FOR A COMBINED RADIO RECEIVER AND COMPACT DISC PLAYER**

D. 322,789 12/1991 McCauley et al. D14/157 X
D. 334,752 4/1993 Dziekan et al. D14/157 X

[75] Inventors: **James P. Muccioli**, Farmington Hills;
Mary J. Kluka, Roseville; **Lee M. Dziekan**, East Detroit, all of Mich.;
Steven F. Selby, Huntsville, Ala.;
George C. Lew, Clarkston; **Ali Y. Bazoun**, Troy, both of Mich.

OTHER PUBLICATIONS

Stereo Review, Apr. 1988, p. 77, Sherwood Car Stereo.

Primary Examiner—Theodore M. Shooman
Attorney, Agent, or Firm—Edward A. Craig

[73] Assignee: **Chrysler Corporation**, Highland Park, Mich.

[57] CLAIM

The ornamental design for front panel for a combined radio receiver and compact disc player, as shown and described.

[**] Term: **14 Years**

DESCRIPTION

[21] Appl. No.: **838,084**

FIG. 1 is a view in perspective of a front panel for a combined radio receiver and compact disc player showing our new design;

[22] Filed: **Feb. 20, 1992**

FIG. 2 is a top plan view thereof;

[52] U.S. Cl. **D14/258; D14/157**

FIG. 3 is a front elevational view thereof;

[58] Field of Search **455/345, 346; D14/124, D14/157, 188, 257, 258, 299**

FIG. 4 is a left side elevational view thereof;

FIG. 5 is a right side elevation view thereof; and,

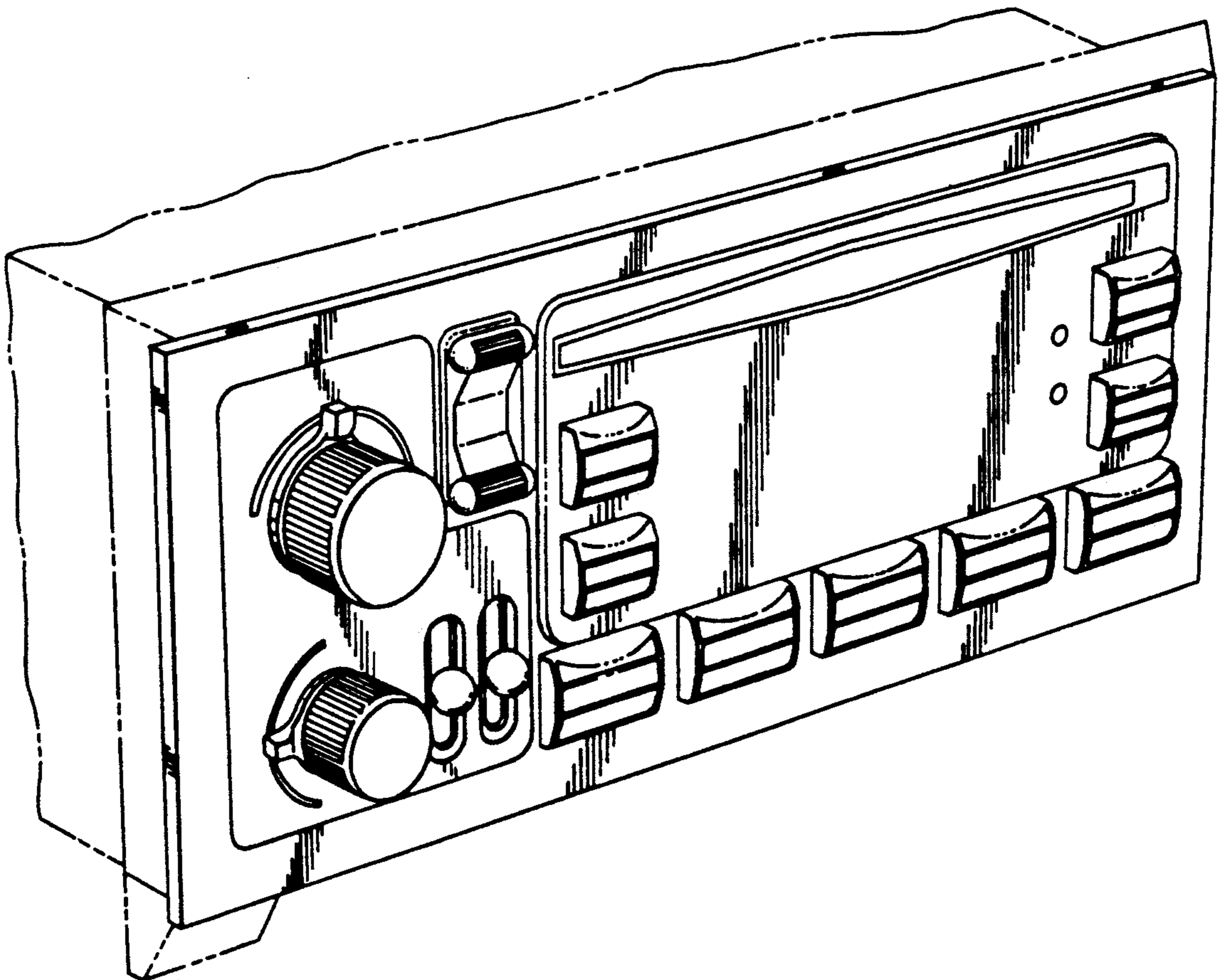
FIG. 6 is a bottom plan view thereof.

[56] References Cited

U.S. PATENT DOCUMENTS

D. 261,136 10/1981 Yamada et al. D14/157
D. 292,795 11/1987 Newman D14/157
D. 315,567 3/1991 McCauley et al. D14/157 X

The housing shown in broken lines in the figures is shown for illustrative purposes only and forms no part of the claimed design.



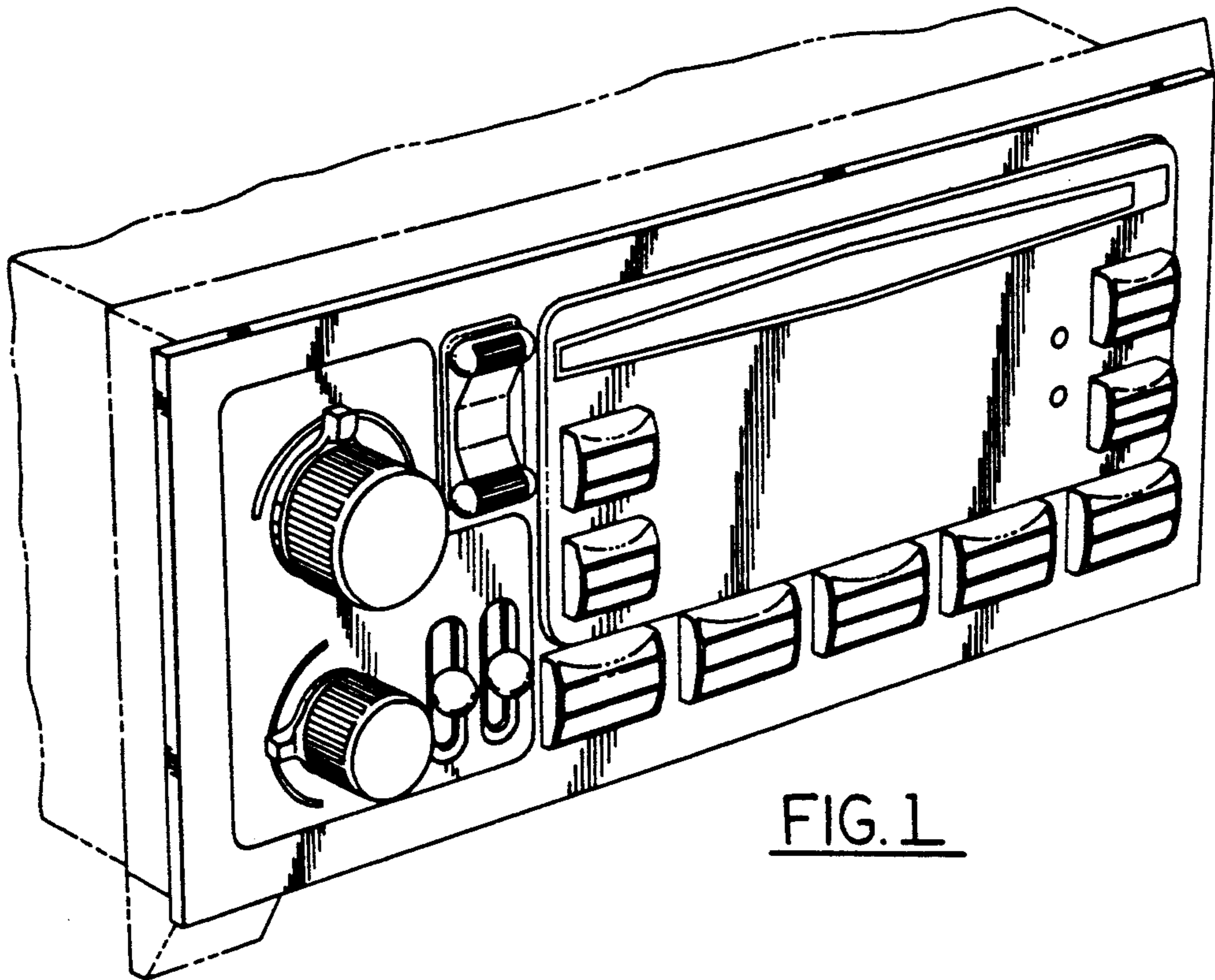


FIG. 1

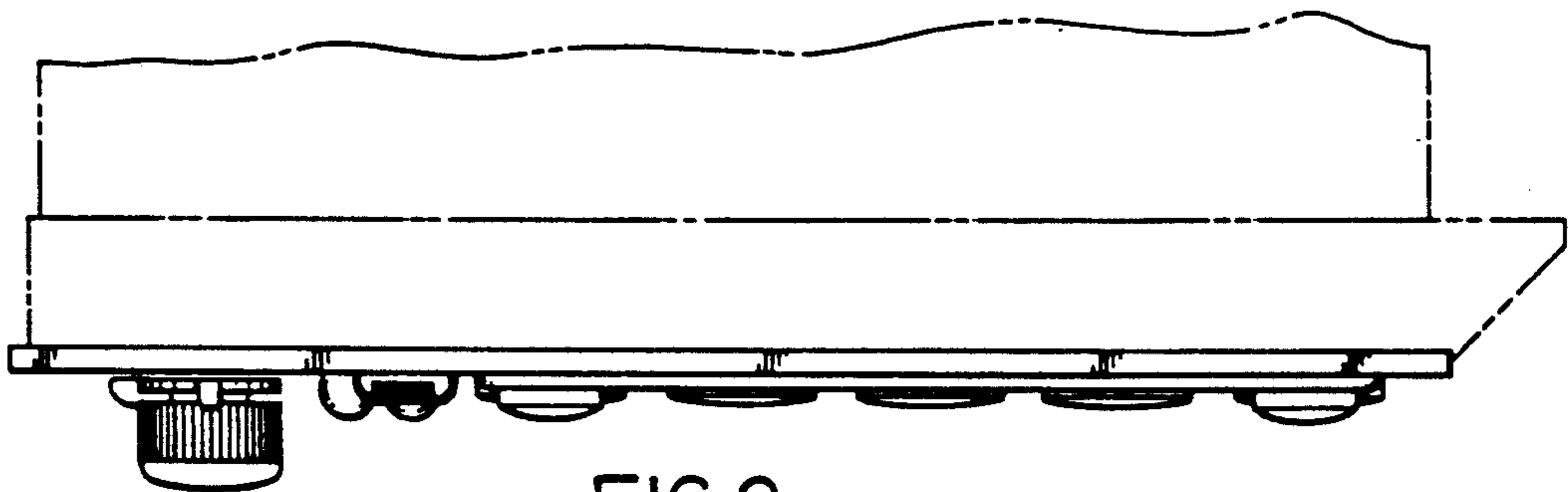


FIG. 2

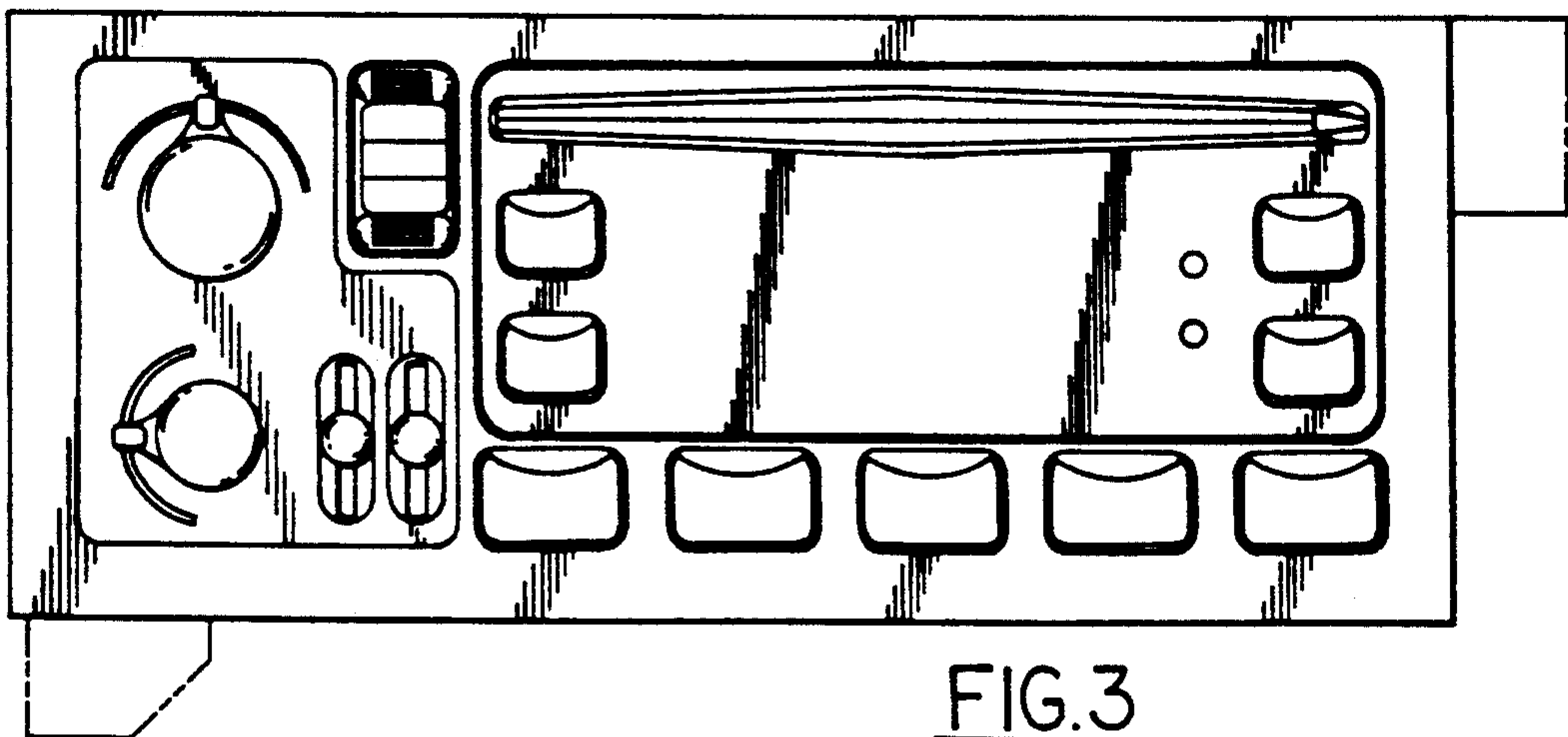


FIG. 3

