



US00D345736S

United States Patent [19]

[11] Patent Number: **Des. 345,736**

Scheid

[45] Date of Patent: **** Apr. 5, 1994**

[54] **CASE FOR A WATCH PAGER**

4,673,936 6/1987 Kotoh 455/100 X
5,007,105 4/1991 Kudoh et al. 455/344

[75] Inventor: **William J. Scheid**, Coral Springs, Fla.

OTHER PUBLICATIONS

Motorola Wrist Watch Pager, Performance Specification sheet, ©1990, front page.

[73] Assignee: **Motorola, Inc.**, Schaumburg, Ill.

Primary Examiner—Theodore M. Shooman
Attorney, Agent, or Firm—Jose Gutman; William E. Koch; Thomas G. Berry

[**] Term: **14 Years**

[21] Appl. No.: **727,793**

[22] Filed: **Jun. 5, 1991**

[52] U.S. Cl. **D14/191; D14/171; D10/31**

[57] **CLAIM**

The ornamental design for a case for a watch pager, as shown.

[58] Field of Search 455/92, 100, 128, 344, 455/350, 351; 340/311.1; D14/124, 188, 191, 192, 299, 171; D10/32

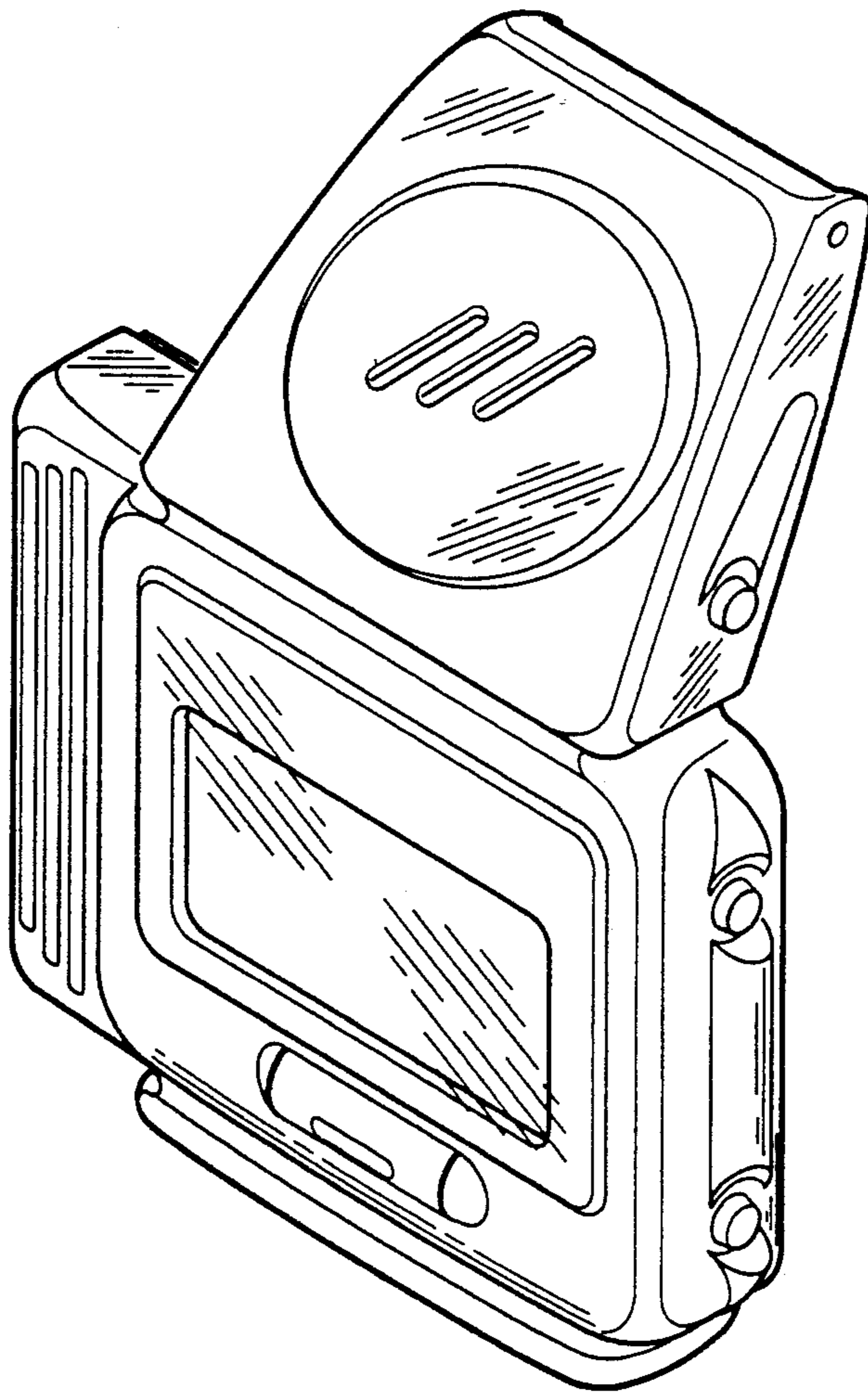
DESCRIPTION

[56] **References Cited**

FIG. 1 comprises a top view of a case for a watch pager.
FIG. 2 comprises a front view thereof;
FIG. 3 comprises a right view thereof;
FIG. 4 comprises a left view thereof;
FIG. 5 comprises a rear view thereof;
FIG. 6 comprises a bottom view thereof; and,
FIG. 7 comprises a perspective view thereof.

U.S. PATENT DOCUMENTS

- D. 279,671 7/1985 Stanton D14/192
- D. 296,675 7/1988 Jones et al. D10/31
- D. 319,590 9/1991 Houlihan D10/31
- D. 386,269 10/1986 Matsuo et al. D14/171 X



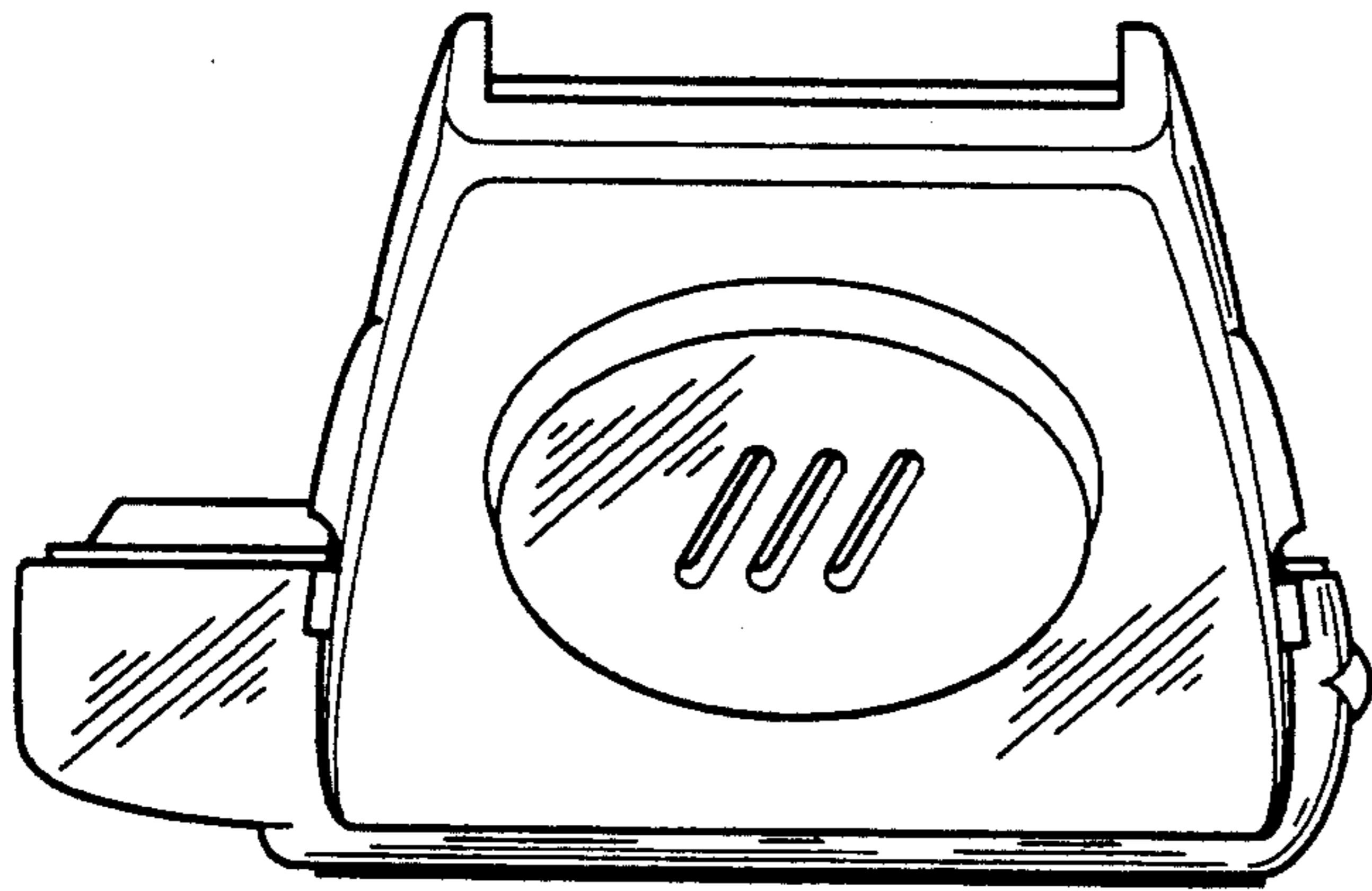


FIG. 1

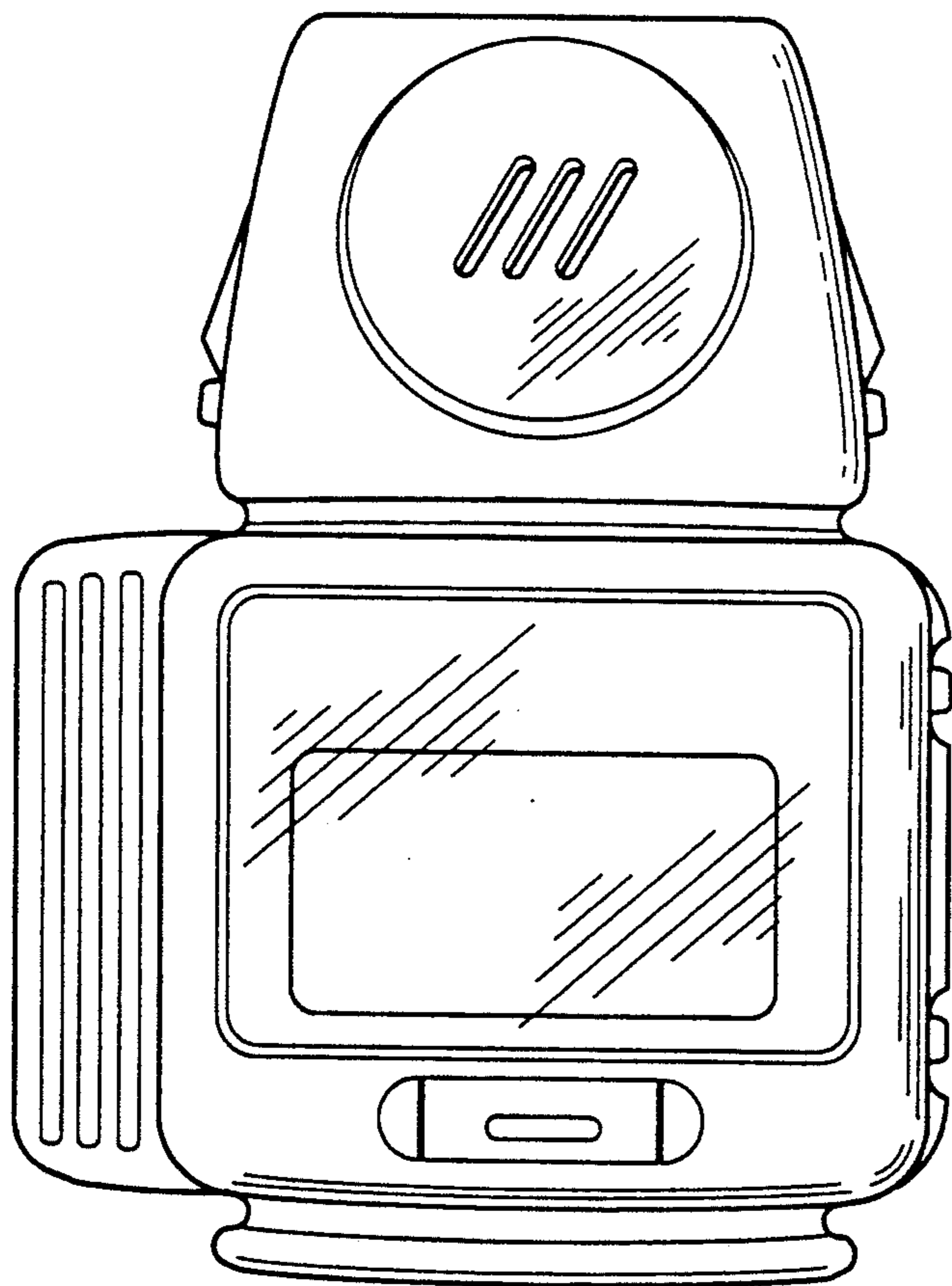


FIG. 2

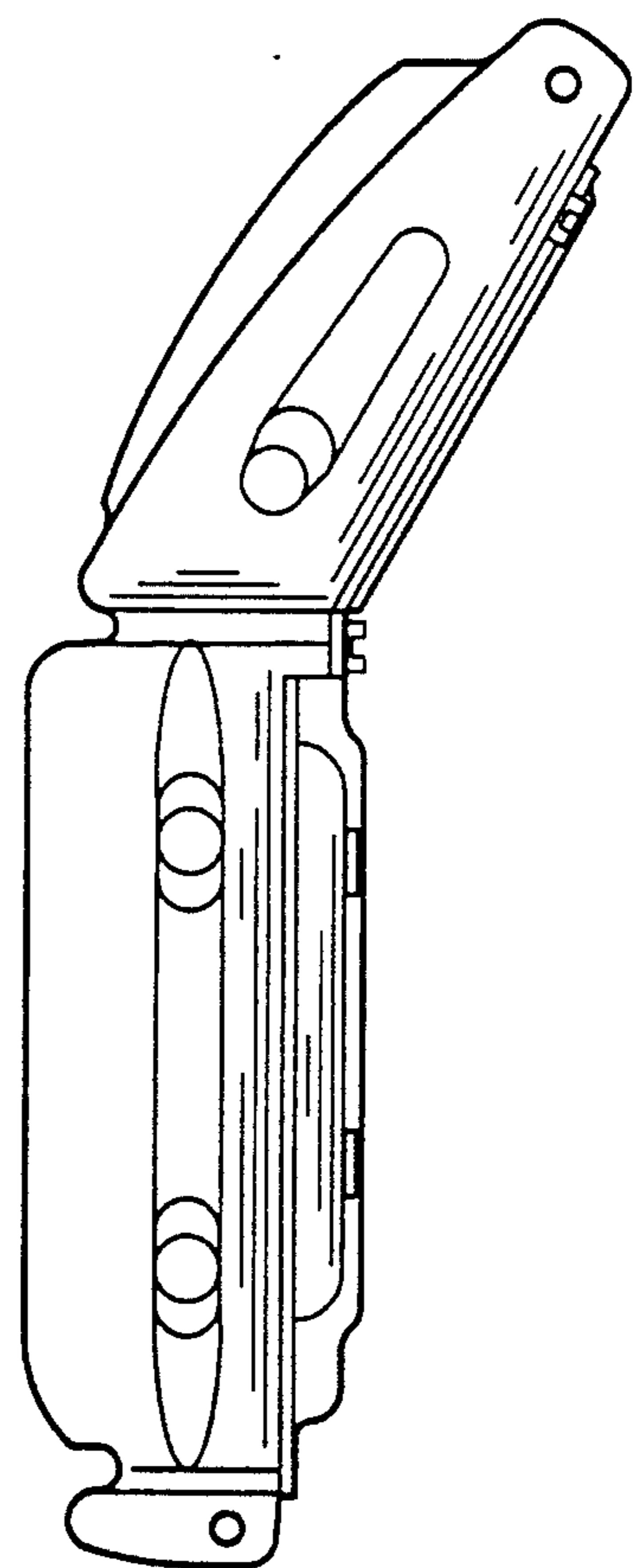


FIG. 3

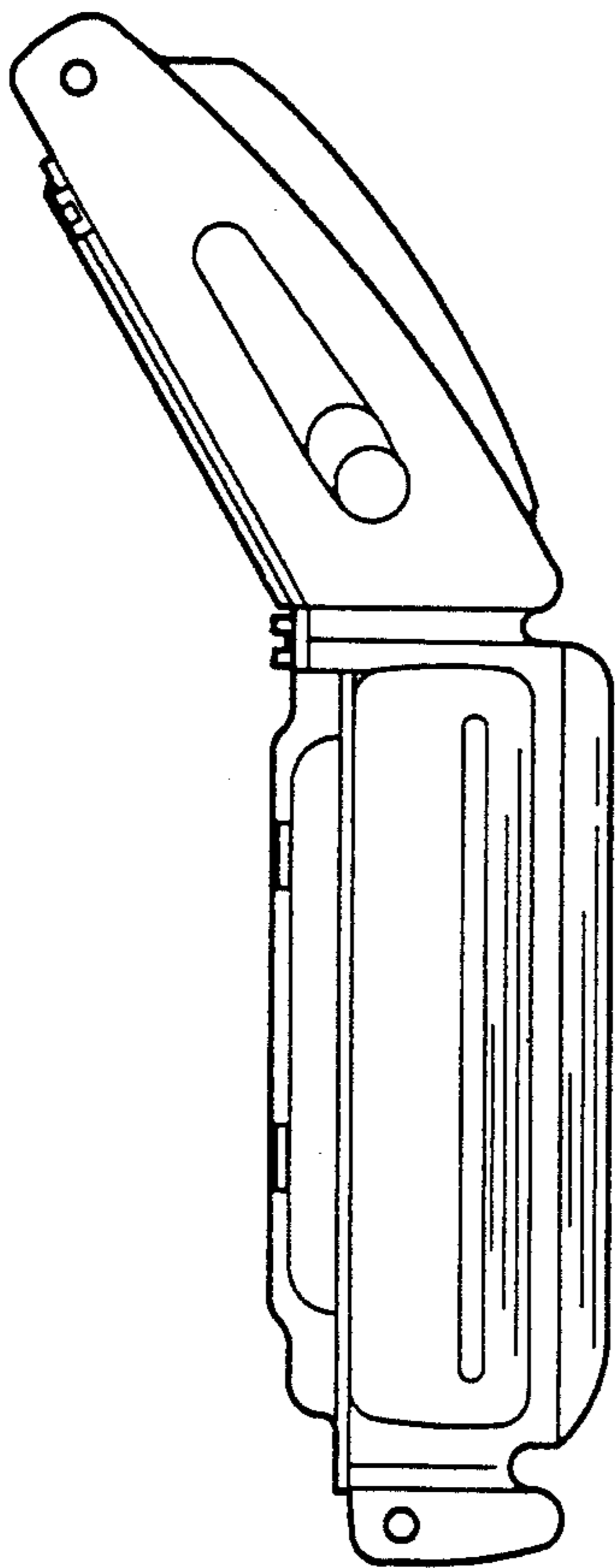


FIG. 4

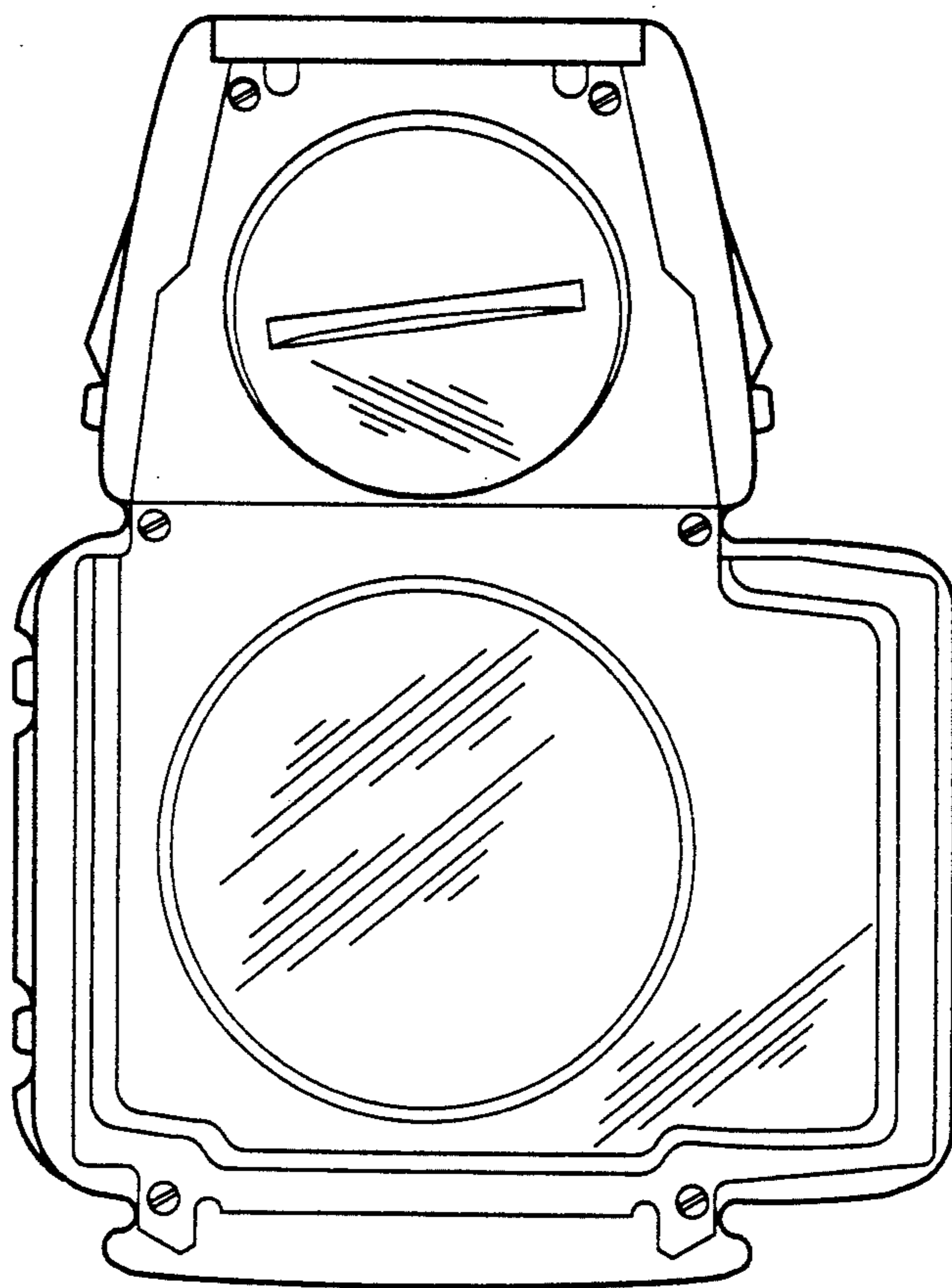


FIG. 5

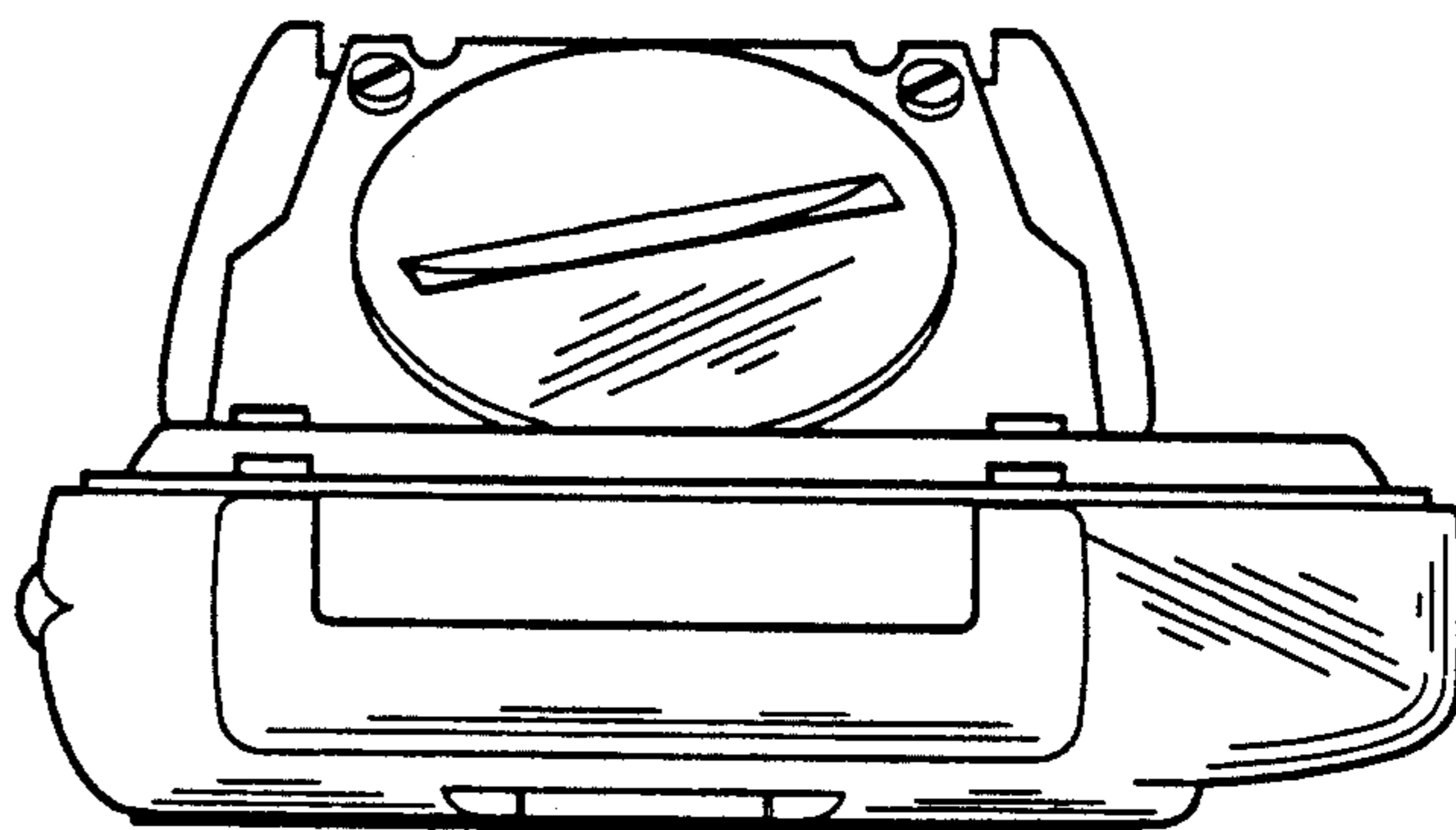


FIG. 6

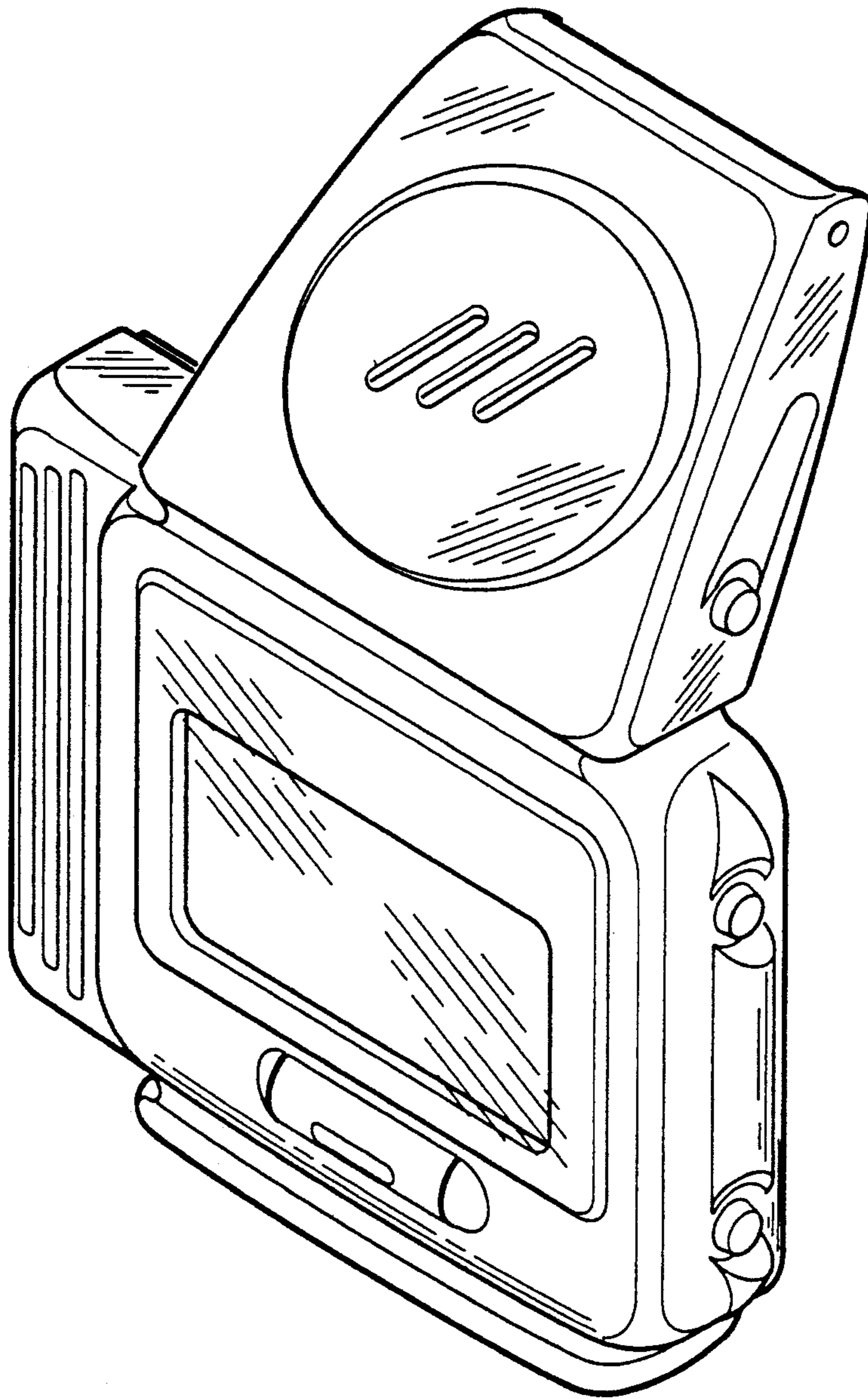


FIG. 7