



US00D345723S

United States Patent [19]

[11] Patent Number: **Des. 345,723**

Guspodin

[45] Date of Patent: **** Apr. 5, 1994**

[54] TIRE

[75] Inventor: **James G. Guspodin, Akron, Ohio**

[73] Assignee: **Bridgestone/Firestone, Inc., Akron, Ohio**

[**] Term: **14 Years**

[21] Appl. No.: **911,226**

[22] Filed: **Jul. 9, 1992**

[52] U.S. Cl. **D12/147**

[58] Field of Search **152/209 R, 209 A, 209 D; D12/137, 138, 146-148**

D. 324,011 2/1992 Messer D12/147

D. 324,012 2/1992 Janczak D12/147

D. 326,252 5/1992 Slagh D12/147

D. 328,271 7/1992 Guspodin et al. D12/147

OTHER PUBLICATIONS

1991 Tread Design Guide, p. 46, Michelin LXI Tire & XW4 Tire, second row down from top, left side of page.

1991 Tread Design Guide, p. 63, Star Skymaster II Steel Belted Radial Tire, third row down from top, left side of page.

Primary Examiner—James M. Gandy
Attorney, Agent, or Firm—David A. Thomas

[56] References Cited

U.S. PATENT DOCUMENTS

D. 253,758 12/1979 Peron D12/142

D. 253,759 12/1979 Peron D12/142

D. 265,183 6/1982 Amarger D12/143

D. 265,303 7/1982 Yokoyama D12/142

D. 278,524 4/1985 Molnar et al. D12/147

D. 291,792 9/1987 Clemens D12/147

D. 295,036 4/1988 Wallet et al. D12/147

D. 308,659 6/1990 Brayer D12/146

D. 319,993 9/1991 Croley et al. D12/147

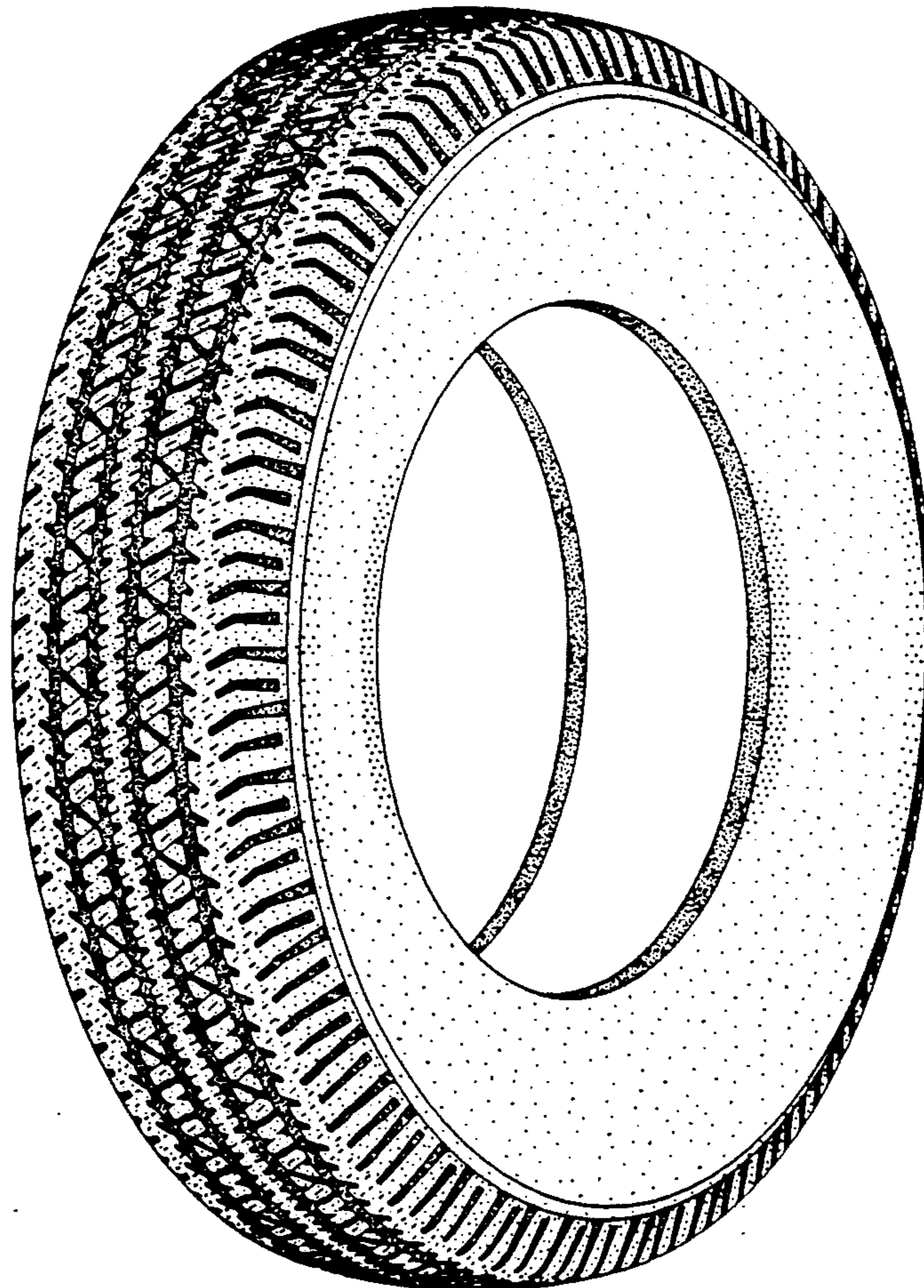
D. 321,852 11/1991 Guspodin D12/147

[57] CLAIM

The ornamental design for a tire, as shown and described.

DESCRIPTION

FIG. 1 is a perspective view of a tire embodying my new design, it being understood that the pattern is repeated throughout the circumference of the tire, the opposite side being substantially the same as that shown; FIG. 2 is a front elevational view thereof; and, FIG. 3 is a side elevational view thereof.



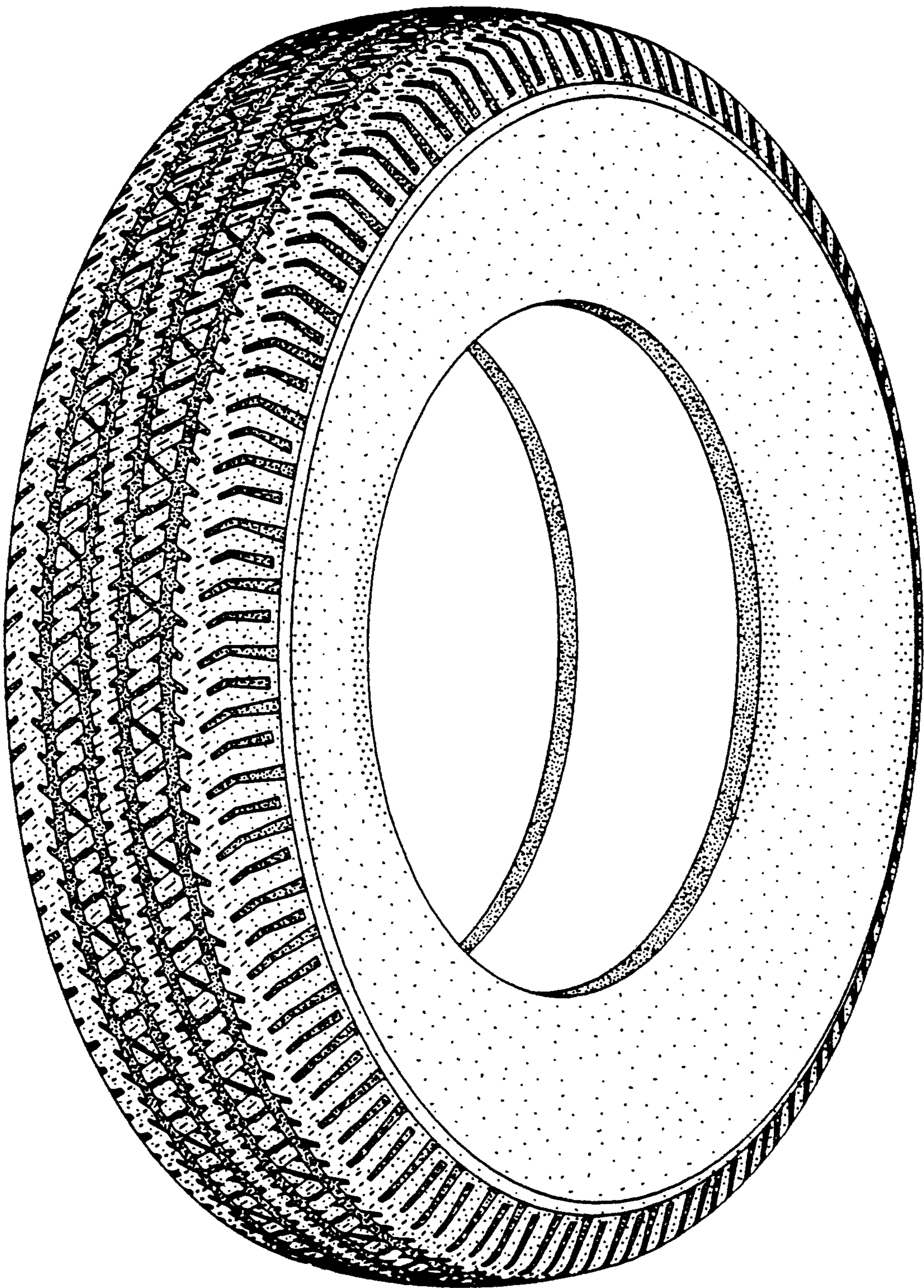


FIG. 1

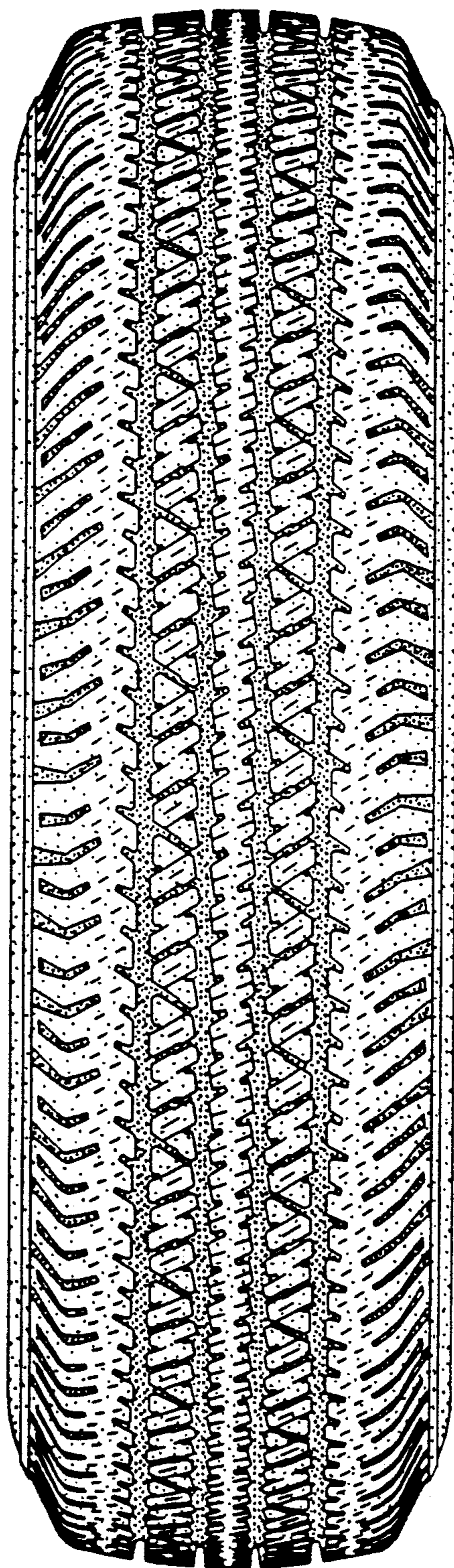


FIG. 2

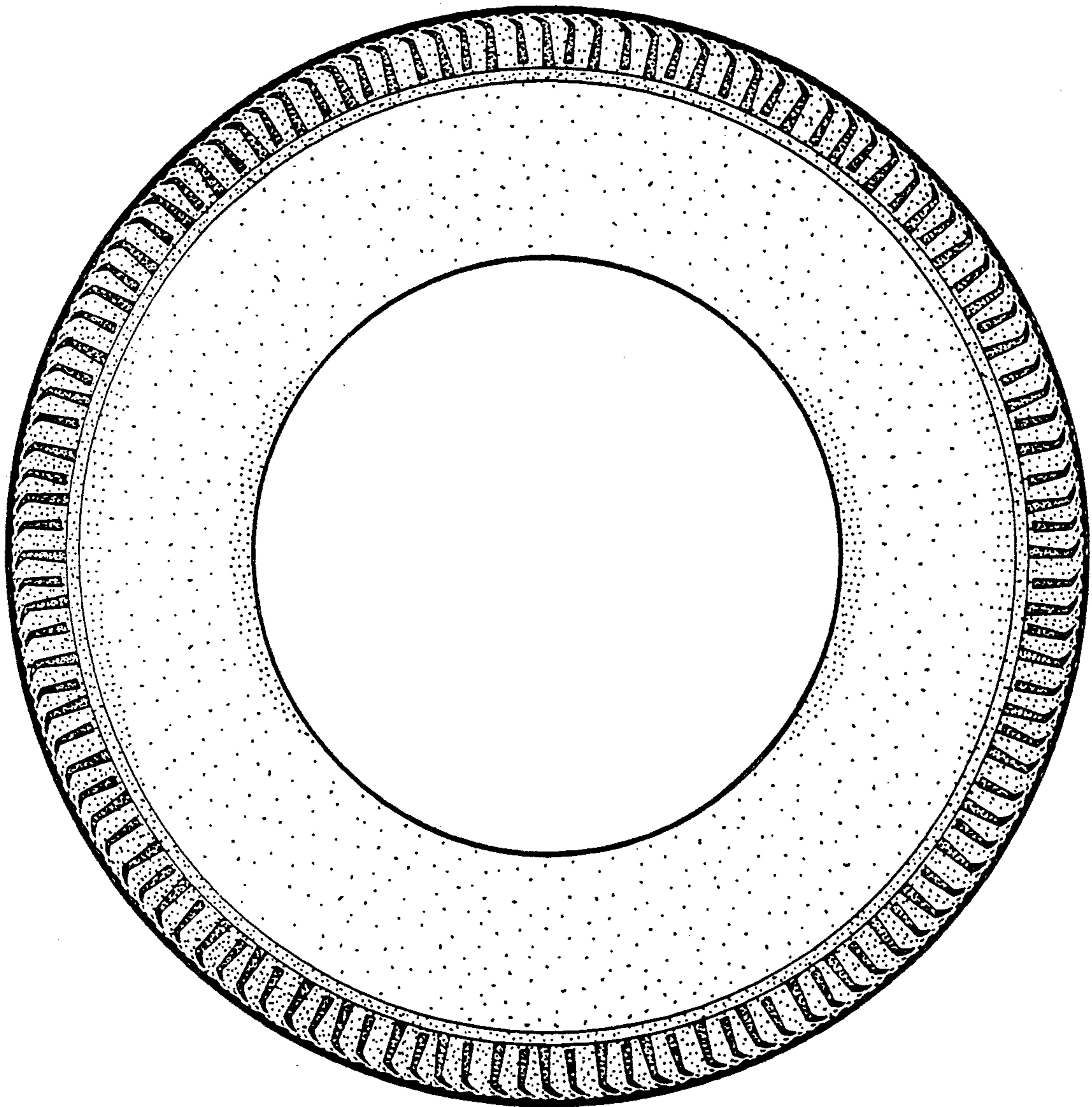


FIG. 3