



US00D345707S

United States Patent [19]

[11] Patent Number: **Des. 345,707**

Alister

[45] Date of Patent: **** Apr. 5, 1994**

[54] **DUST SENSOR DEVICE**

5,136,750 8/1992 Takashima et al. 15/319
5,163,202 11/1992 Kawakami et al. 15/319
5,233,682 8/1993 Abe et al. 15/319 X

[75] Inventor: **Jack Alister, Grijpskerk, Netherlands**

Primary Examiner—Alan P. Douglas
Assistant Examiner—Antoine D. Davis
Attorney, Agent, or Firm—Jack E. Haken

[73] Assignee: **U.S. Philips Corporation, New York, N.Y.**

[**] Term: **14 Years**

[57] **CLAIM**

[21] Appl. No.: **2,740**

The ornamental design for a dust sensor device, as shown.

[22] Filed: **Dec. 18, 1992**

DESCRIPTION

[52] U.S. Cl. **D10/81; D32/31**

[58] Field of Search 15/319, 339, DIG. 11;
73/24.06, 24.03, 24.05; 356/72, 438; D10/81;
D32/17, 18, 21-25, 31, 32

FIG. 1 is a front, left side, perspective view showing my new design;

FIG. 2 is a left side elevational view thereof;

FIG. 3 is a right side elevational view thereof;

FIG. 4 is a front elevational view thereof;

FIG. 5 is a rear elevational view thereof;

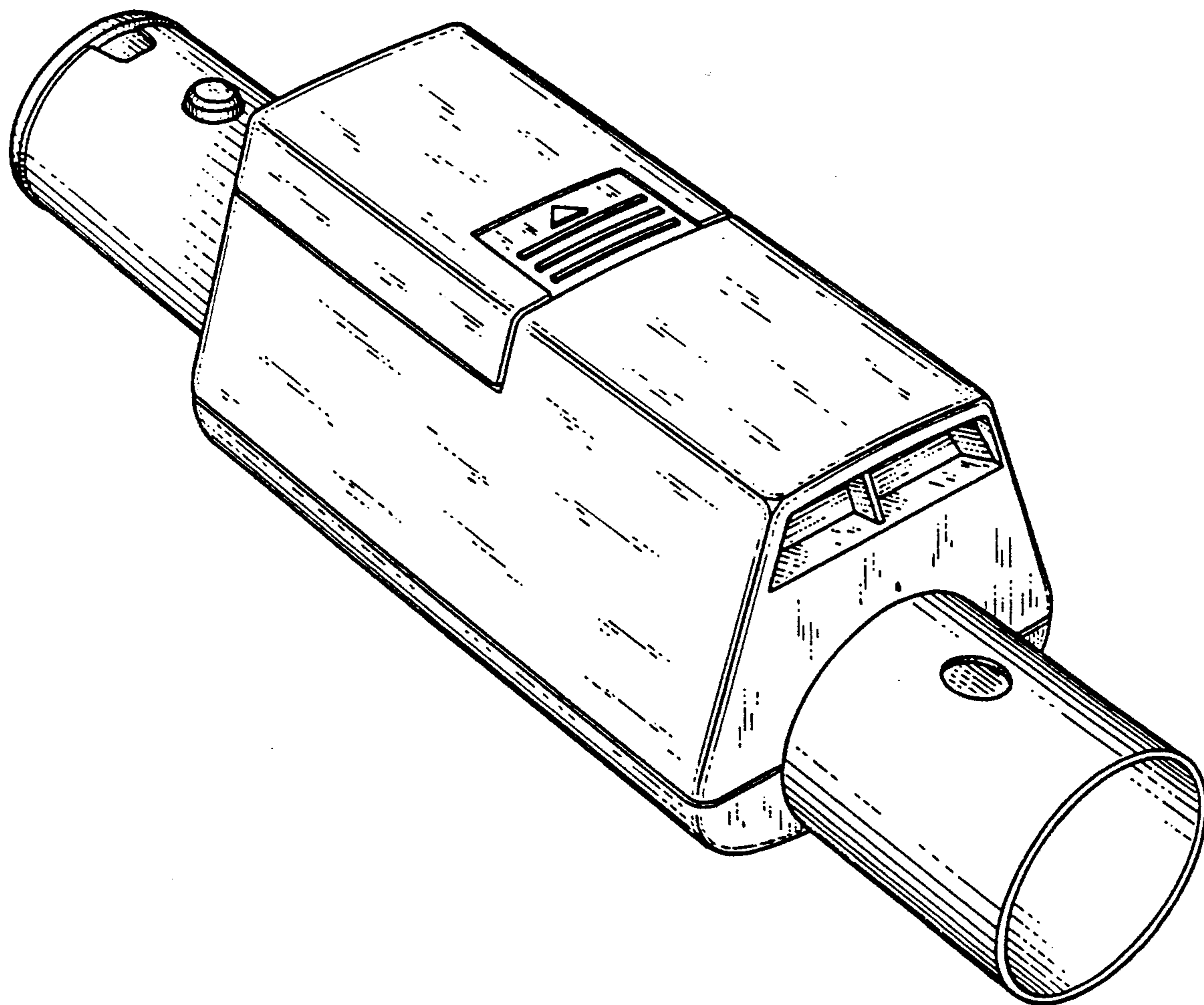
FIG. 6 is a top plan view thereof; and,

FIG. 7 is a bottom plan view thereof.

[56] **References Cited**

U.S. PATENT DOCUMENTS

D. 209,573 12/1967 Leinfelt D32/31



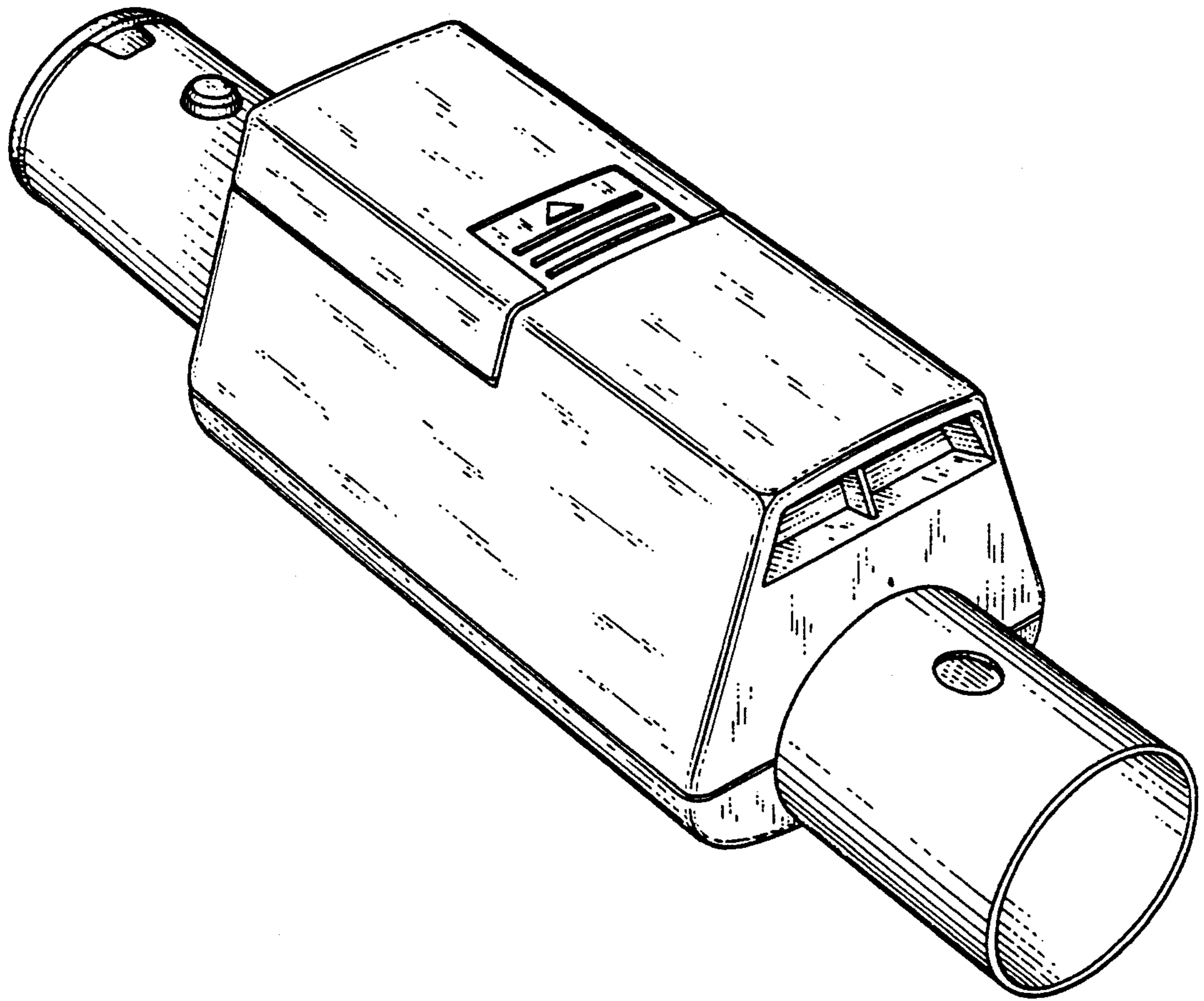


FIG. 1

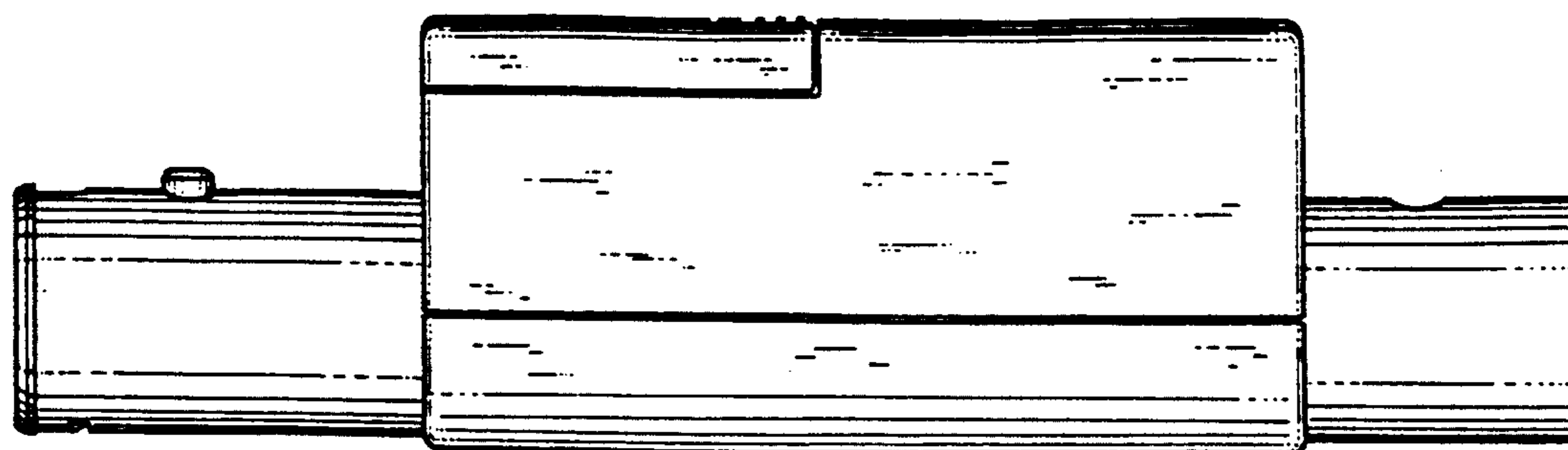


FIG. 2

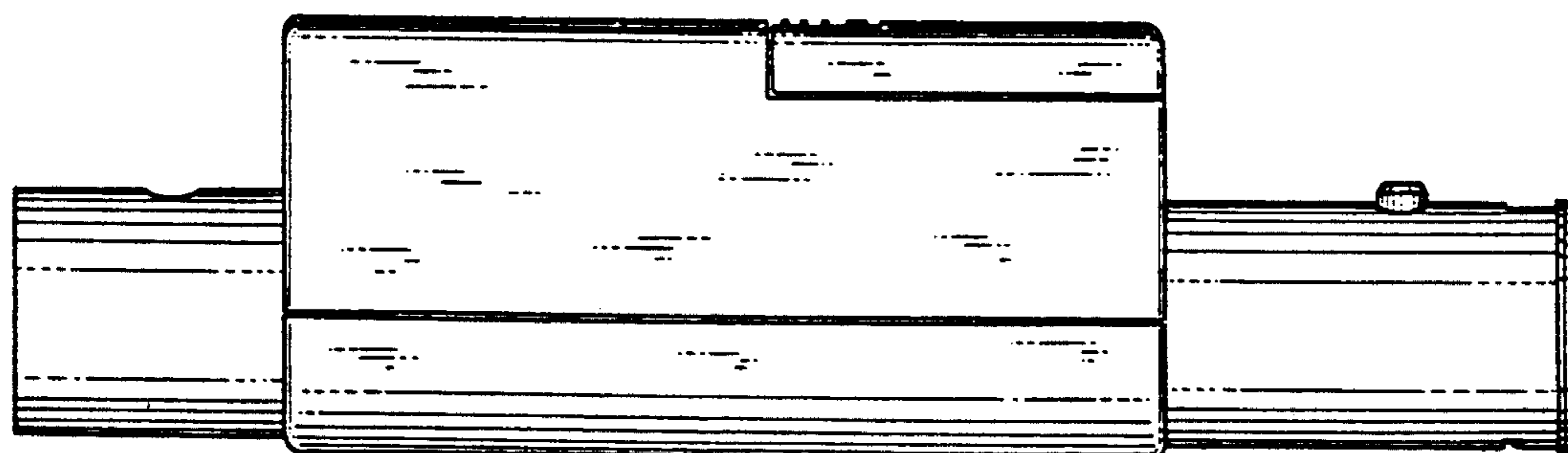


FIG. 3

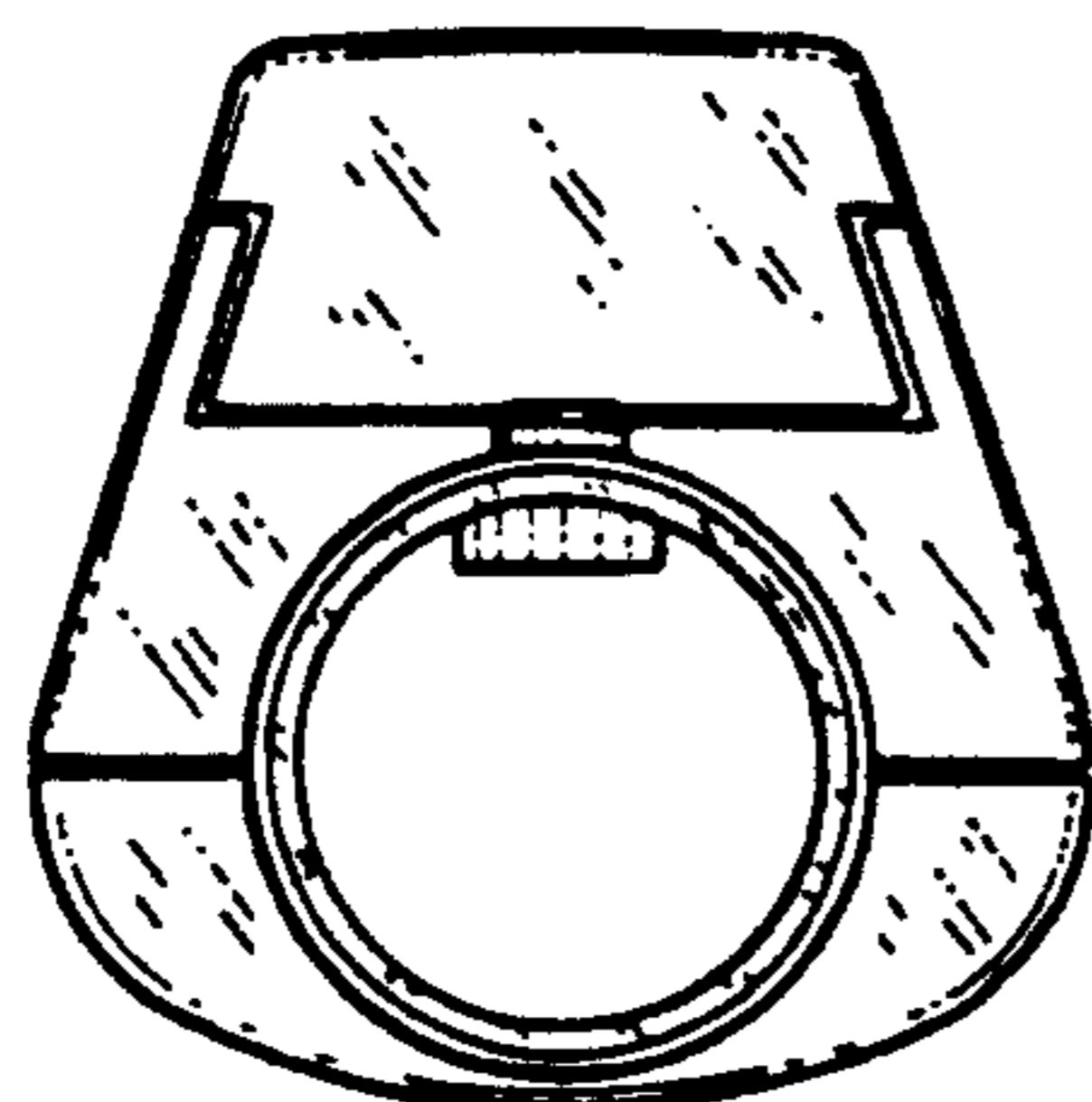


FIG. 4

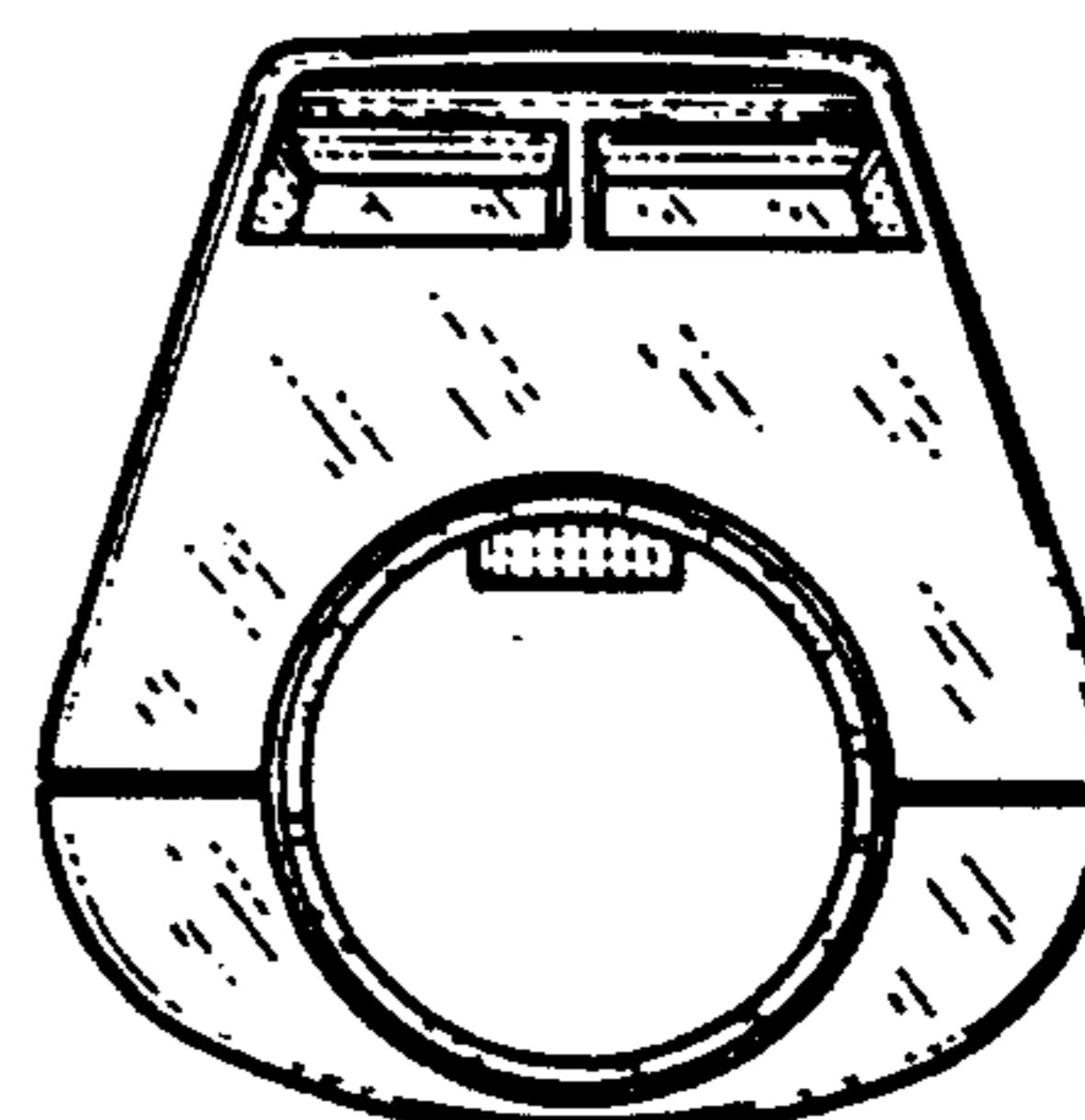


FIG. 5

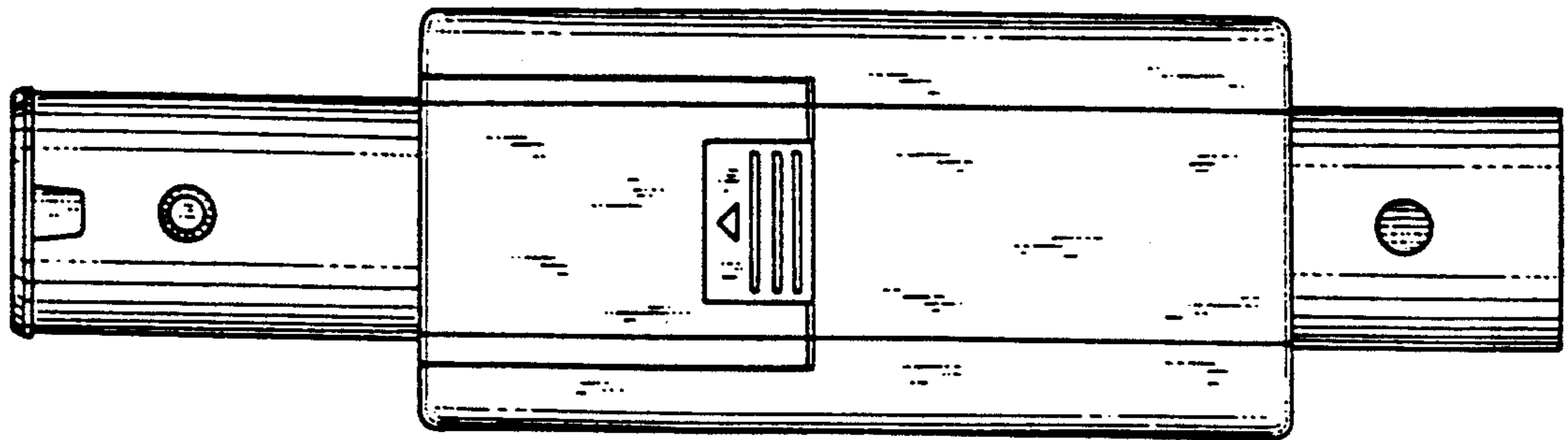


FIG. 6

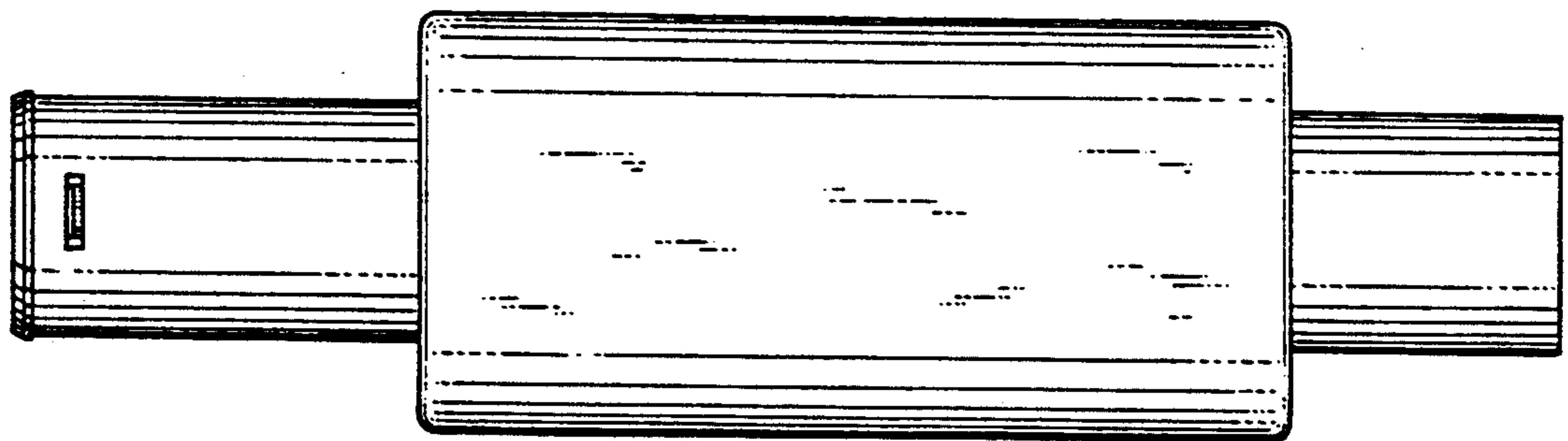


FIG. 7