



US00D345705S

United States Patent [19]

Nesbitt et al.

[11] Patent Number: **Des. 345,705**

[45] Date of Patent: **** Apr. 5, 1994**

[54] **HEAD ASSEMBLY FOR A PRINTED
CIRCUIT BOARD TEST FIXTURE**

[75] Inventors: **Robert J. Nesbitt; Bruce A. Seavey,**
both of North Attleboro, Mass.

[73] Assignee: **TTI TesTron, Inc.,** Woonsocket, R.I.

[**] Term: **14 Years**

[21] Appl. No.: **849,316**

[22] Filed: **Mar. 9, 1992**

[52] U.S. Cl. **D10/80**

[58] Field of Search **324/158 F, 158 P, 72.5;**
439/42, 131; D10/78, 80; D13/199

[56] **References Cited**

U.S. PATENT DOCUMENTS

4,746,861	5/1988	Nesbitt	324/158 F
5,200,694	4/1993	Nesbitt et al.	324/158 P X
5,204,616	4/1993	Buchanan	324/158 P

OTHER PUBLICATIONS

Testron, Inc.; Various Testron Instruments; ©1991; pp. 3-5; provided by applicant.

Primary Examiner—Alan P. Douglas

Assistant Examiner—Antoine D. Davis

Attorney, Agent, or Firm—Salter, Michaelson & Benson

[57] **CLAIM**

The ornamental design for a head assembly for a printed circuit board test fixture, as shown and described.

DESCRIPTION

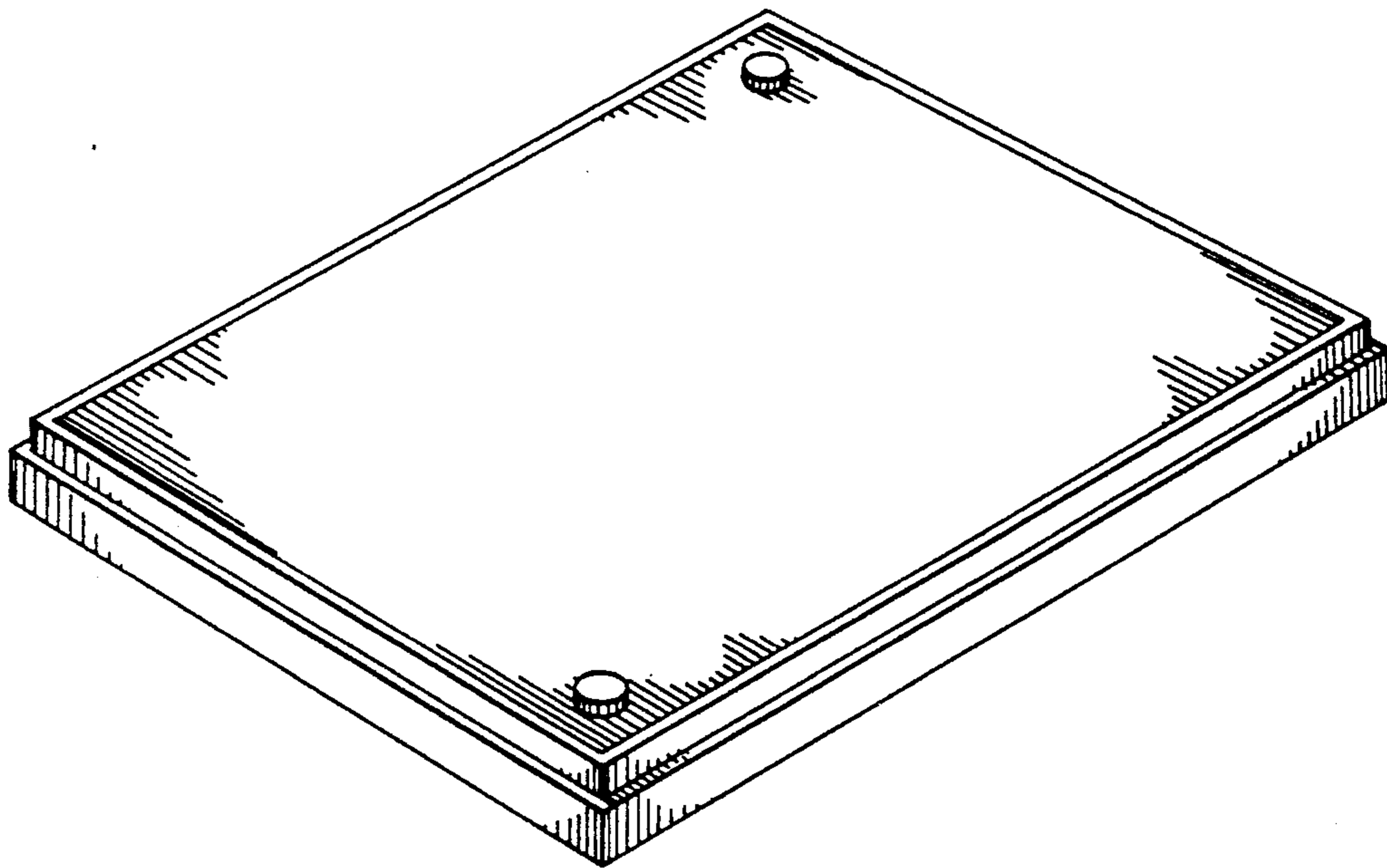
FIG. 1 is a perspective view of a printed circuit board test fixture embodying my new design;

FIG. 2 is a top plan view thereof;

FIG. 3 is a left side elevational view, the right side elevational view being a mirror image;

FIG. 4 is a bottom plan view thereof; and,

FIG. 5 is a front elevational view, the rear elevational view being a mirror image thereof.



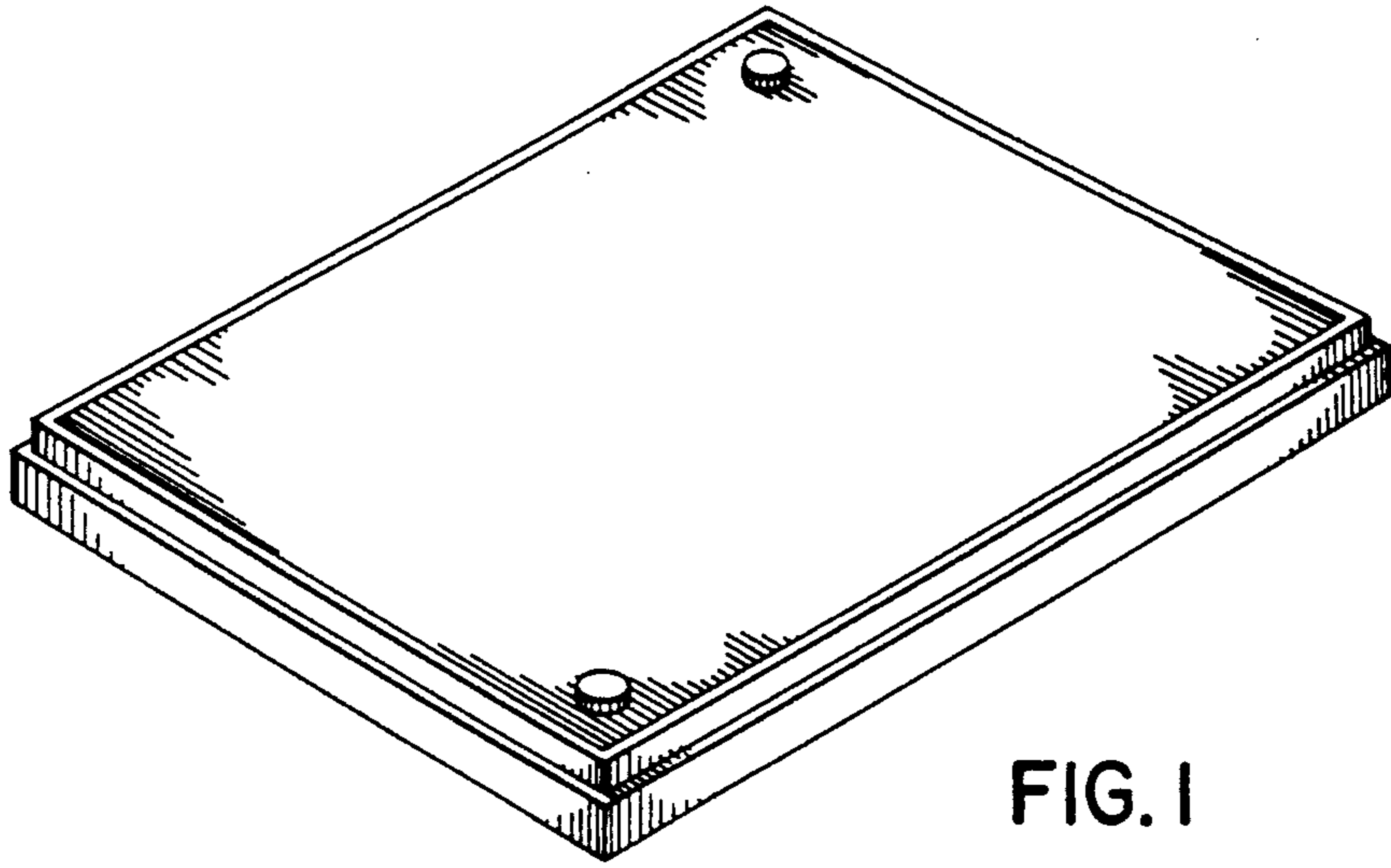


FIG. 1

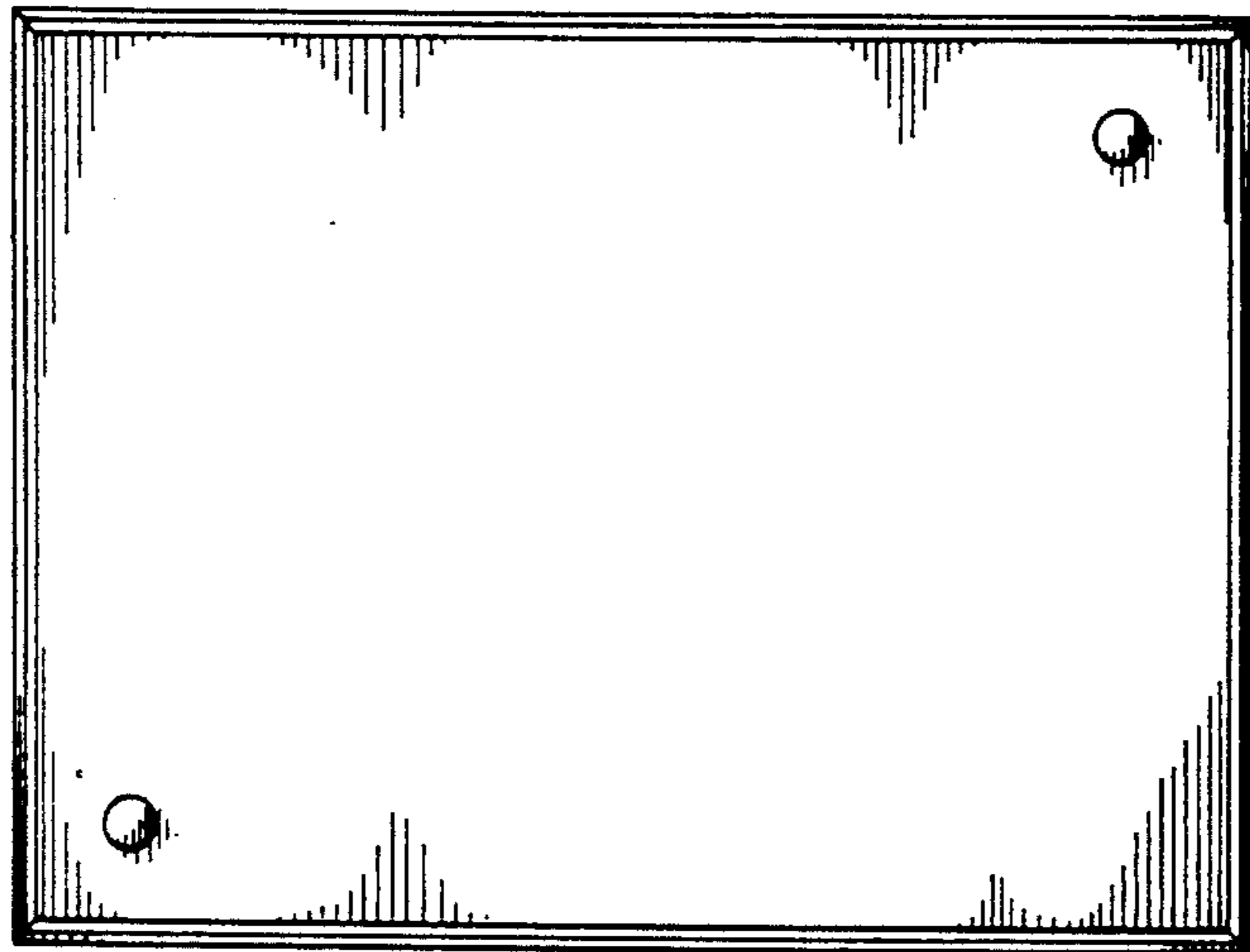


FIG. 2

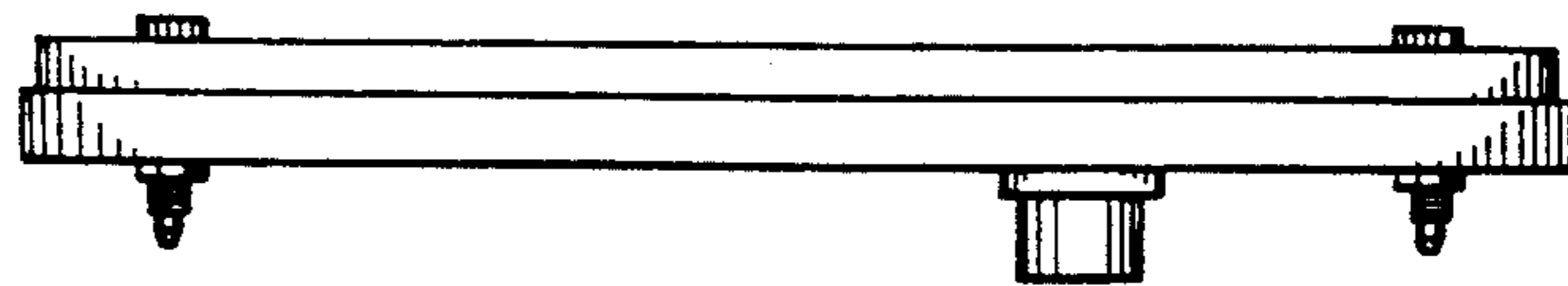


FIG. 3

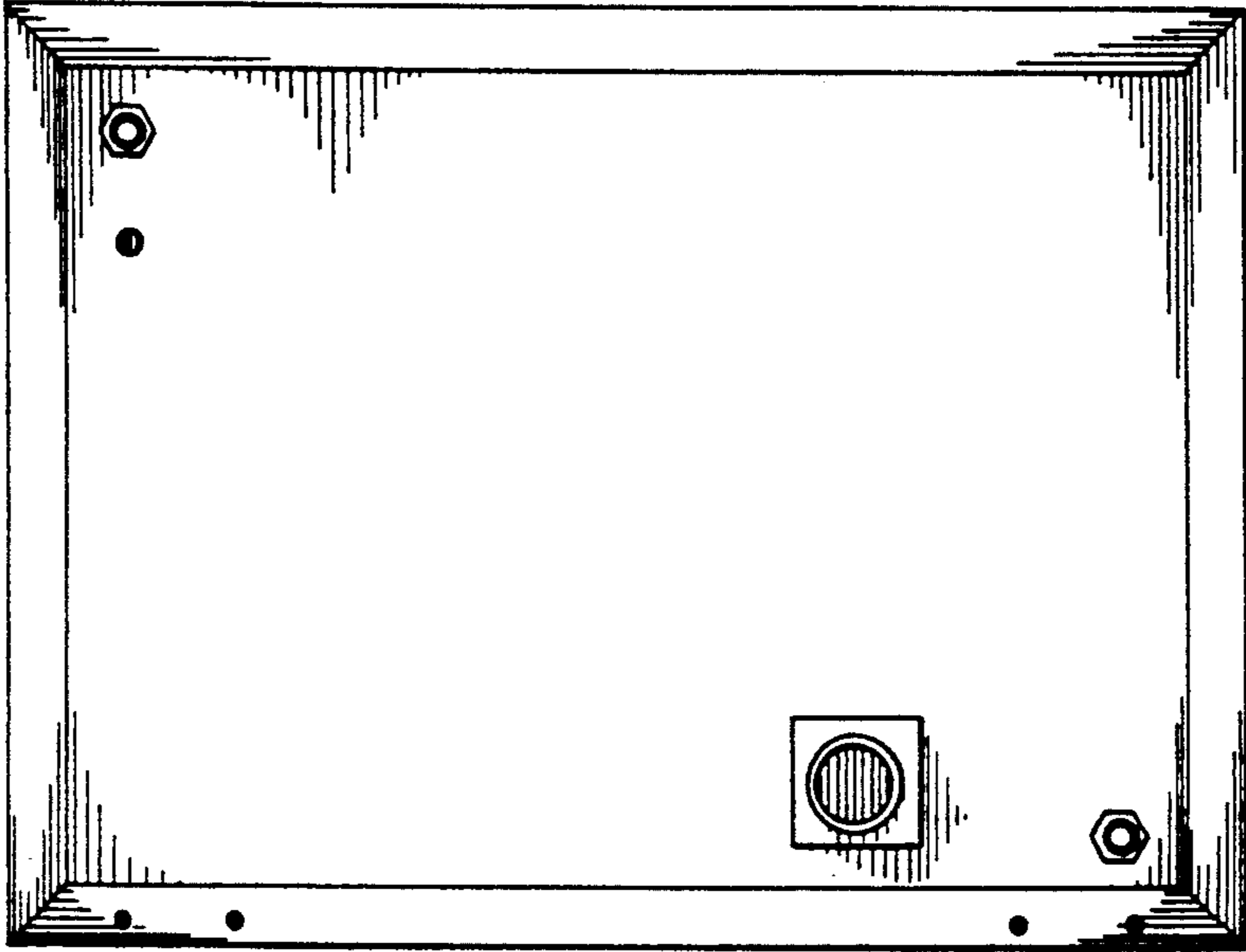


FIG. 4

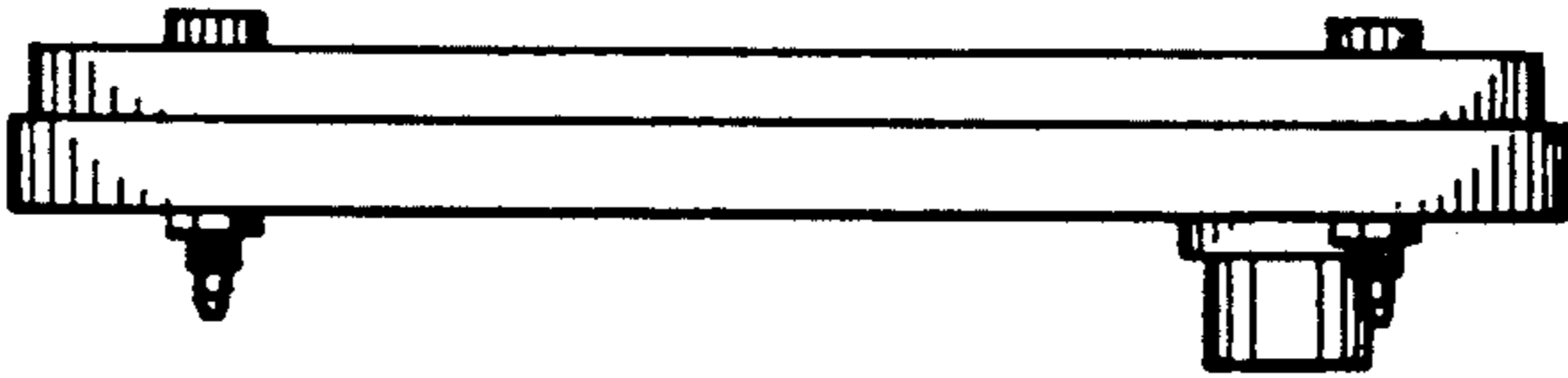


FIG. 5