



US00D345693S

United States Patent [19]

[11] Patent Number: **Des. 345,693**

Edstrom

[45] Date of Patent: **** Apr. 5, 1994**

[54] BOTTLE

[75] Inventor: **Richard C. Edstrom**, New York, N.Y.

[73] Assignee: **The Coca-Cola Company**, Atlanta, Ga.

[**] Term: **14 Years**

[21] Appl. No.: **855,189**

[22] Filed: **Mar. 20, 1992**

[52] U.S. Cl. **D9/332; D9/538; D9/553; D9/559**

[58] Field of Search **D9/332, 500, 520, 533, D9/538, 559, 564, 566, 553; 215/1 R, 1 C; 220/670, 673, 674**

[56] **References Cited**

U.S. PATENT DOCUMENTS

D. 64,126	3/1924	Miller .	
D. 246,896	1/1978	Plummer	D9/500
D. 294,118	2/1988	Papa .	
D. 294,463	3/1988	Lang	D9/557 X
D. 295,382	4/1988	Rogler .	
D. 300,805	4/1989	Rogler et al. .	
D. 308,482	6/1990	Wild .	
D. 309,102	7/1990	Wild .	
D 313,750	1/1991	Yah et al. .	
D. 315,869	4/1991	Collette	D9/538 X
4,863,046	9/1989	Collette et al. .	
4,877,141	10/1989	Hayashi et al. .	
5,005,716	4/1991	Eberle	215/1 C
5,122,399	6/1992	Ferrell et al.	215/1 C X
5,141,120	8/1992	Brown et al. .	
5,141,121	8/1992	Brown et al. .	
5,178,289	1/1993	Krishnakumar et al.	215/1 R X

FOREIGN PATENT DOCUMENTS

1-9146 1/1989 Japan .

OTHER PUBLICATIONS

Spaulding, Mark "Gatorade Tests Bottle of Future," Packaging, Oct. 1987, pp. 10 & 12.

Primary Examiner—Bernard Ansher

Assistant Examiner—Mitchell Siegel

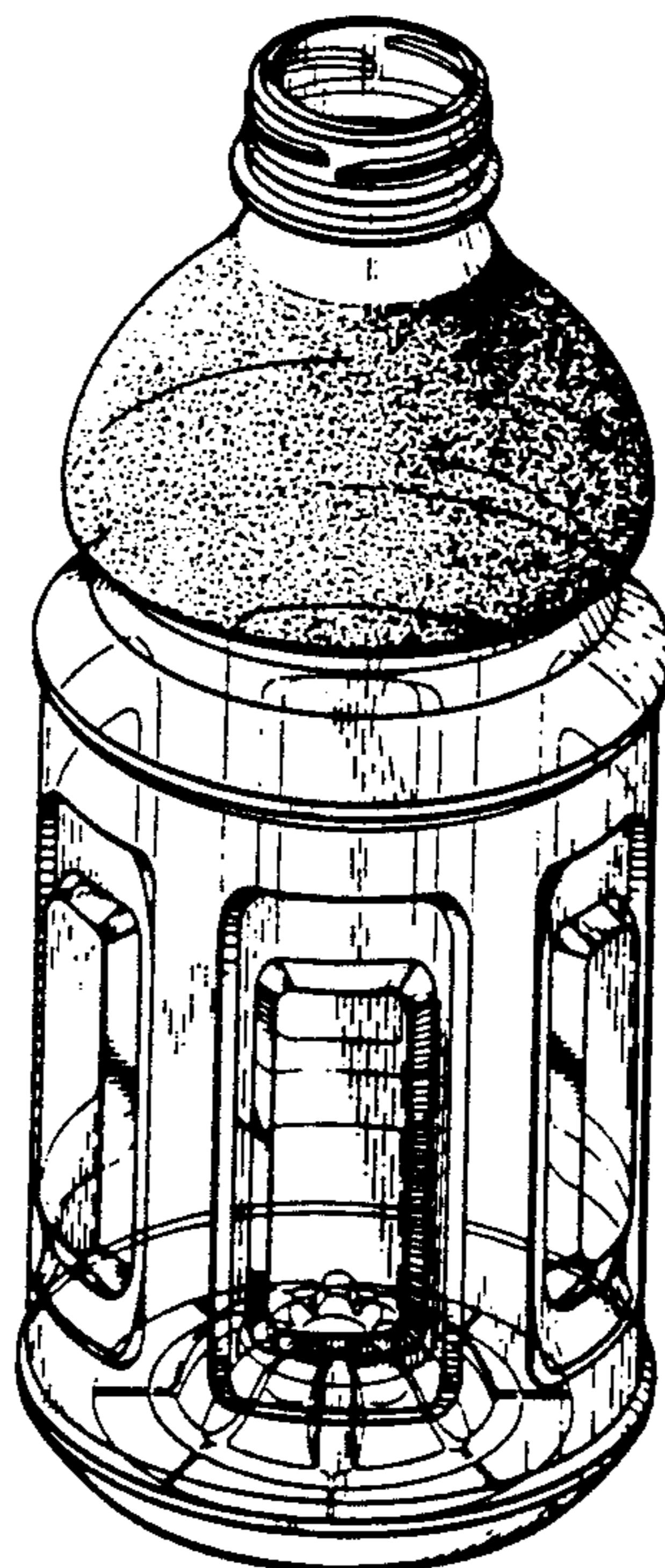
Attorney, Agent, or Firm—Lynn R. O'Brien; W. Dexter Brooks

[57] **CLAIM**

The ornamental design for a bottle, as shown and described.

DESCRIPTION

FIG. 1 is a perspective view of a bottle showing my new design;
 FIG. 2 is a front view thereof, the undisclosed opposite side being identical;
 FIG. 3 is a side view thereof, the undisclosed opposite side being identical;
 FIG. 4 is a top view thereof;
 FIG. 5 is a bottom view thereof;
 FIG. 6 is a perspective view of a second embodiment of a bottle as in FIG. 1;
 FIG. 7 is a front view of FIG. 6, the undisclosed opposite side being identical;
 FIG. 8 is a side view of FIG. 6, the undisclosed opposite side being identical;
 FIG. 9 is a top view of FIG. 6; and,
 FIG. 10 is a bottom view of FIG. 6.



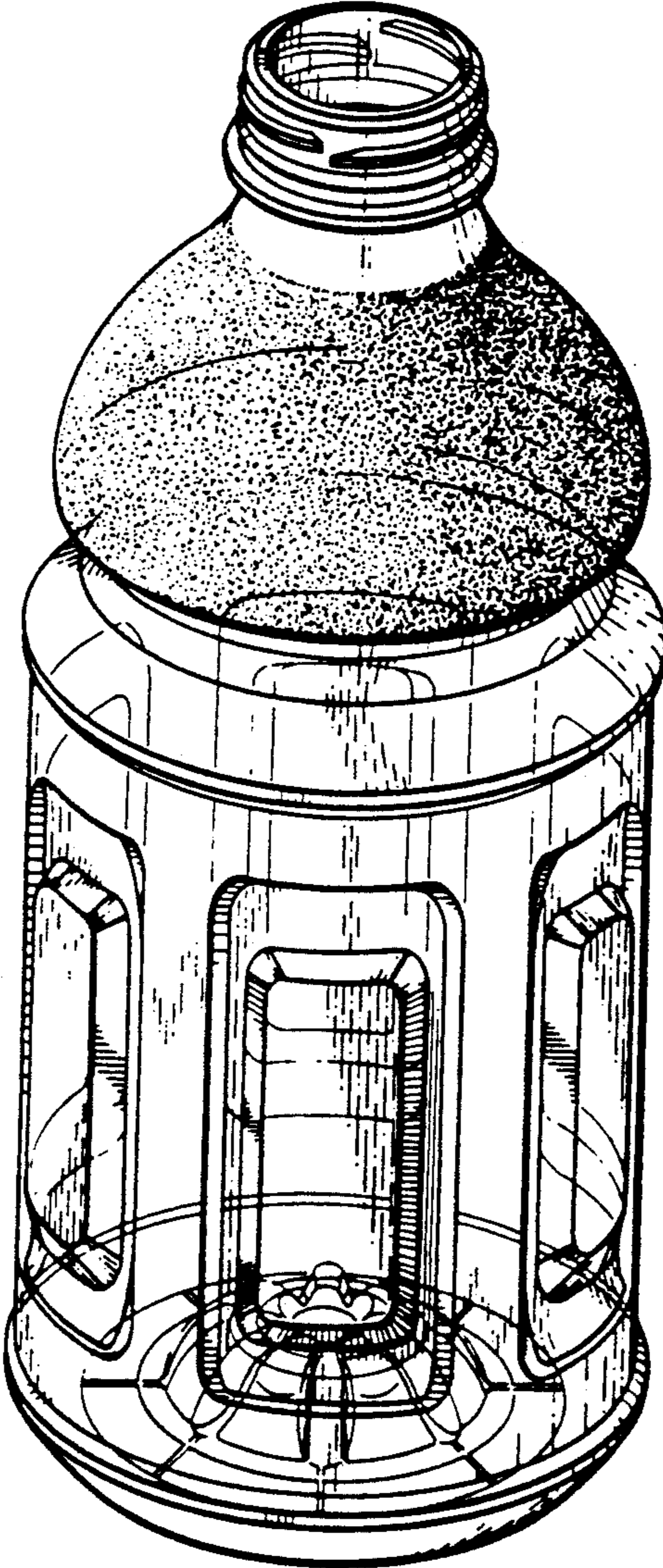


FIG 1

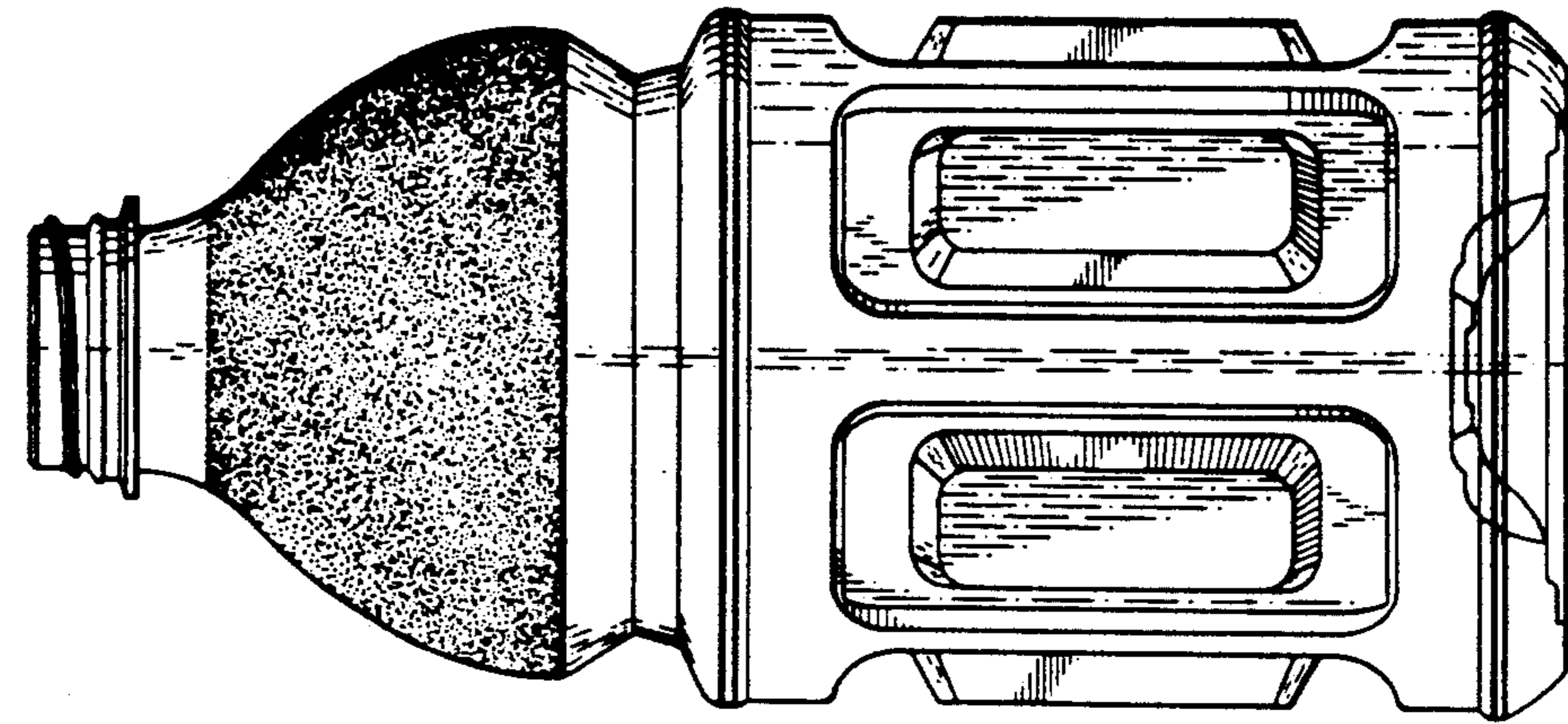


FIG 3

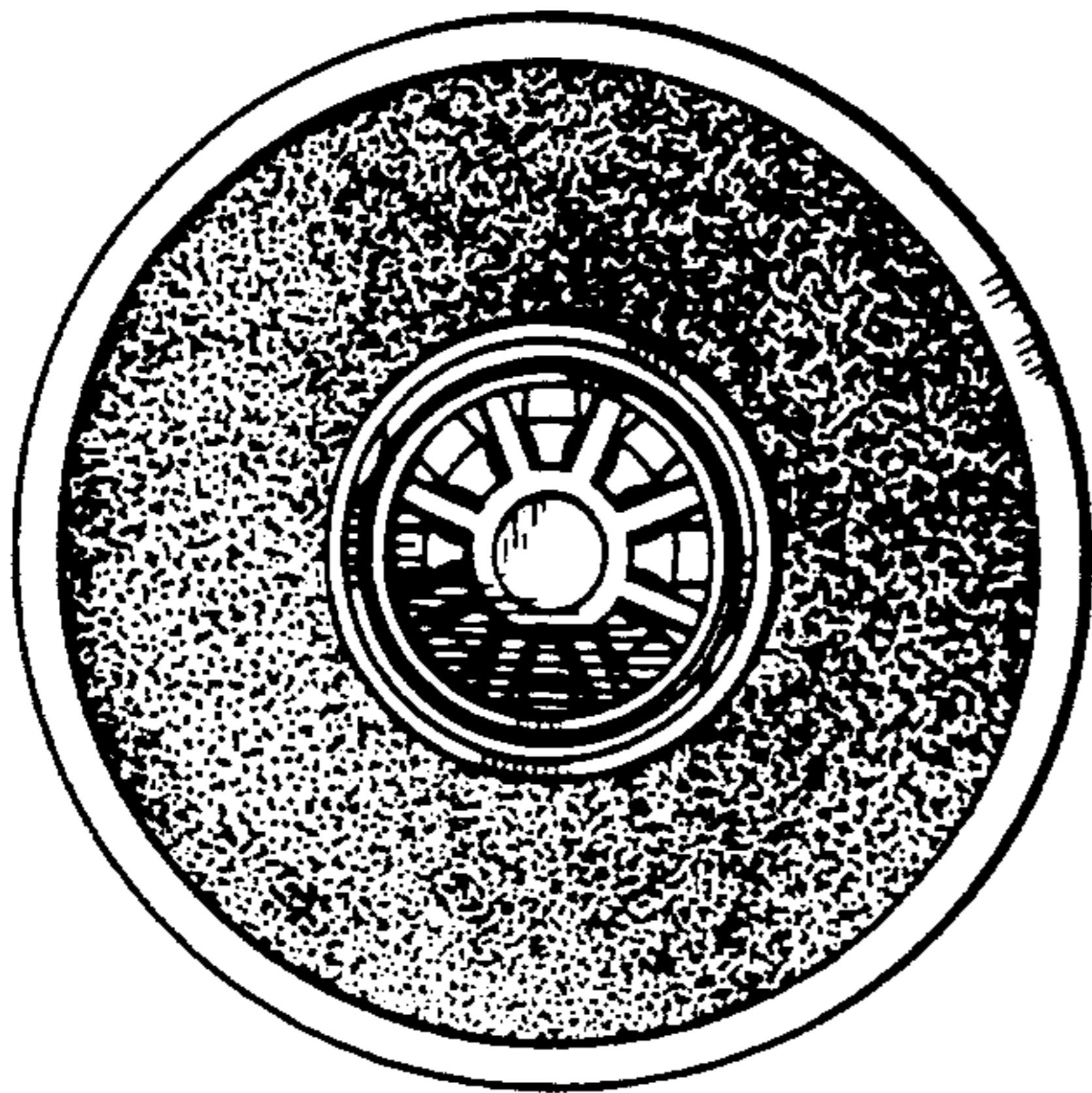


FIG 4

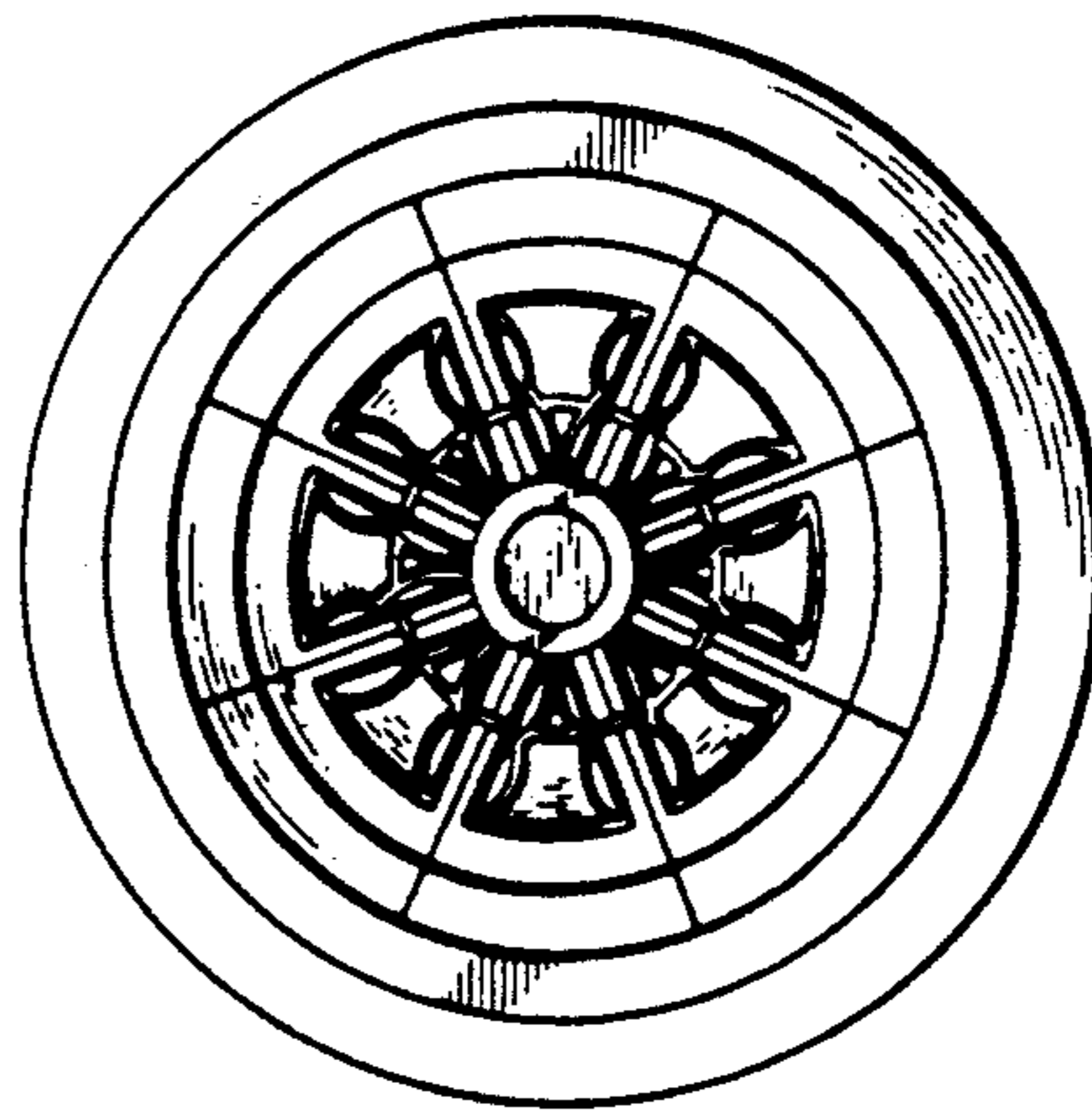


FIG 5

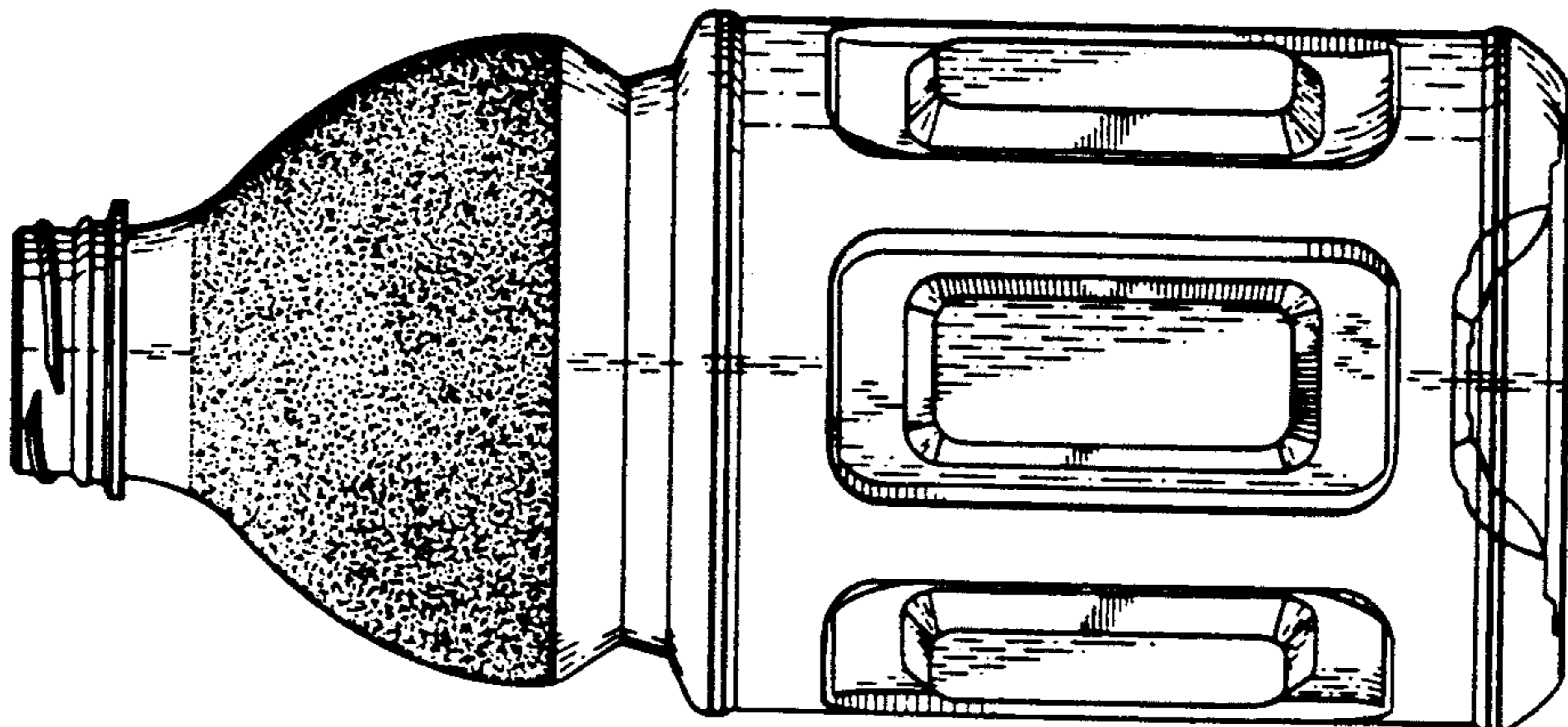


FIG 2

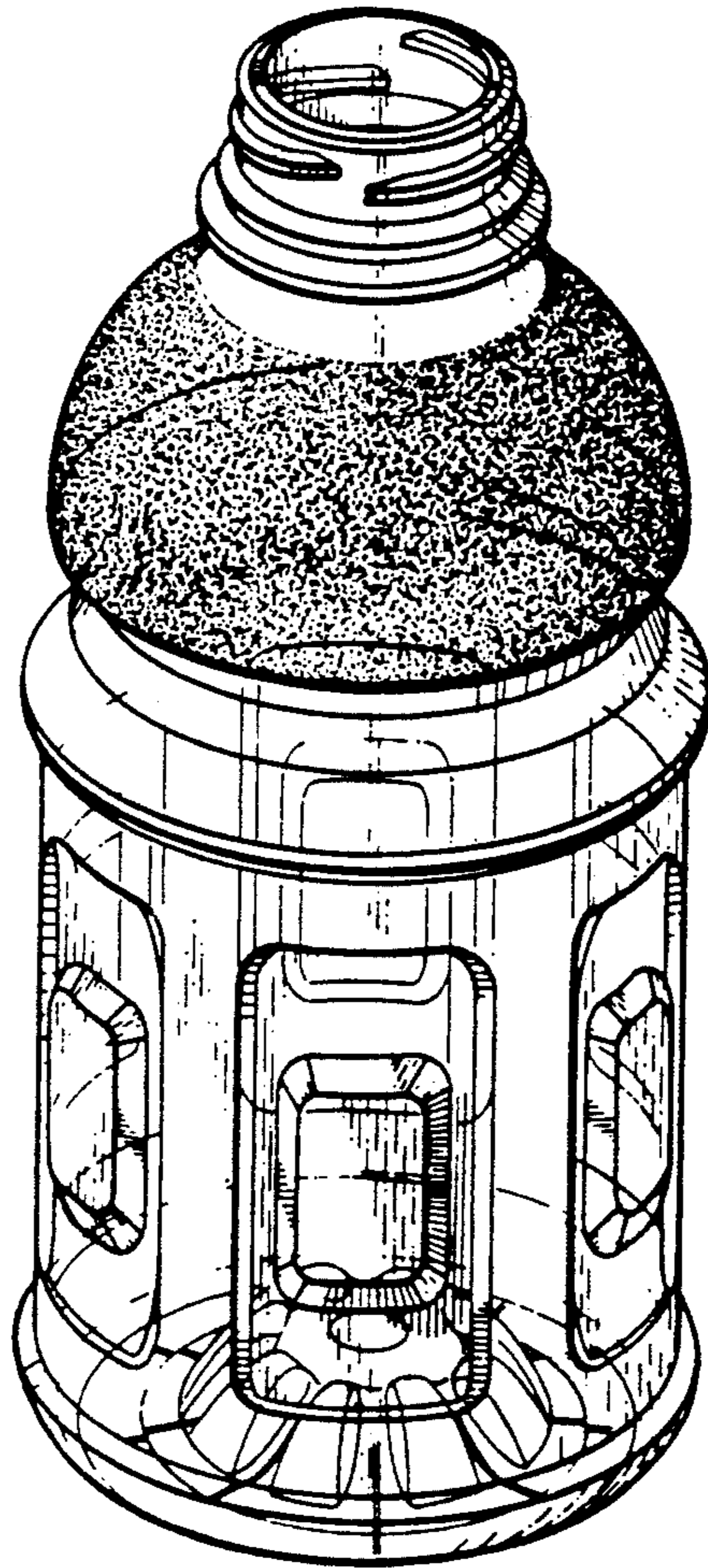


FIG 6

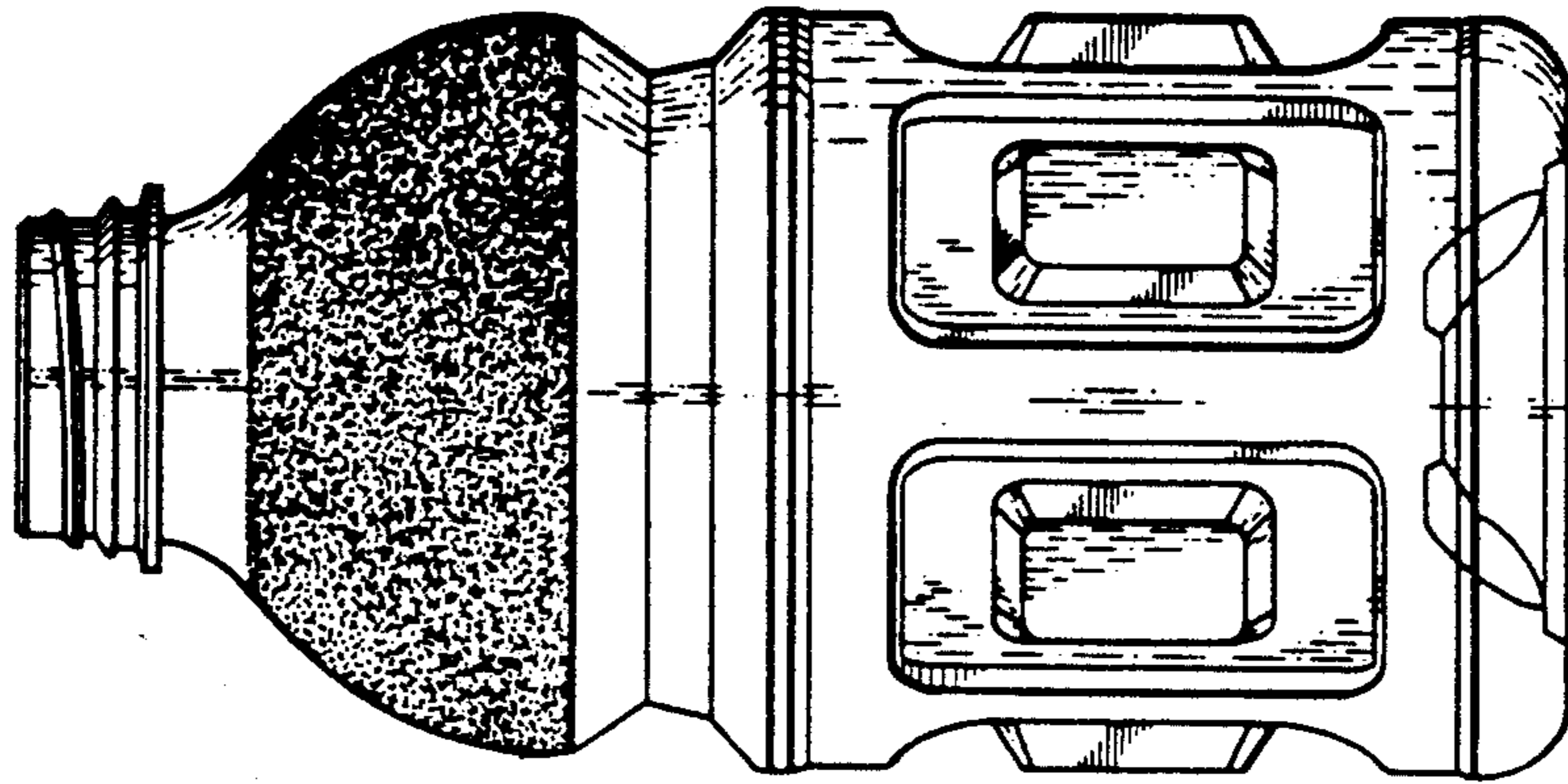


FIG 8

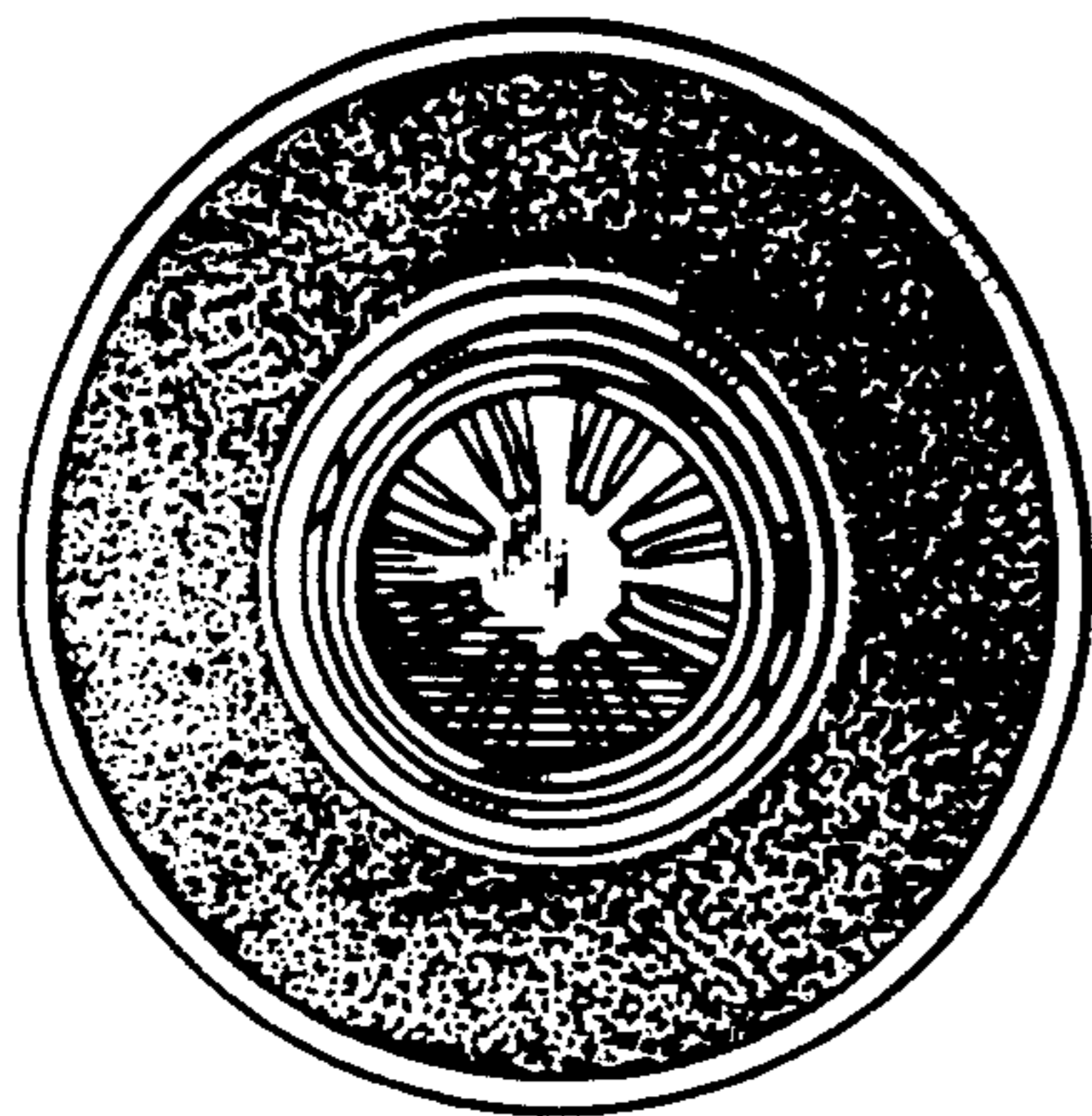


FIG 9

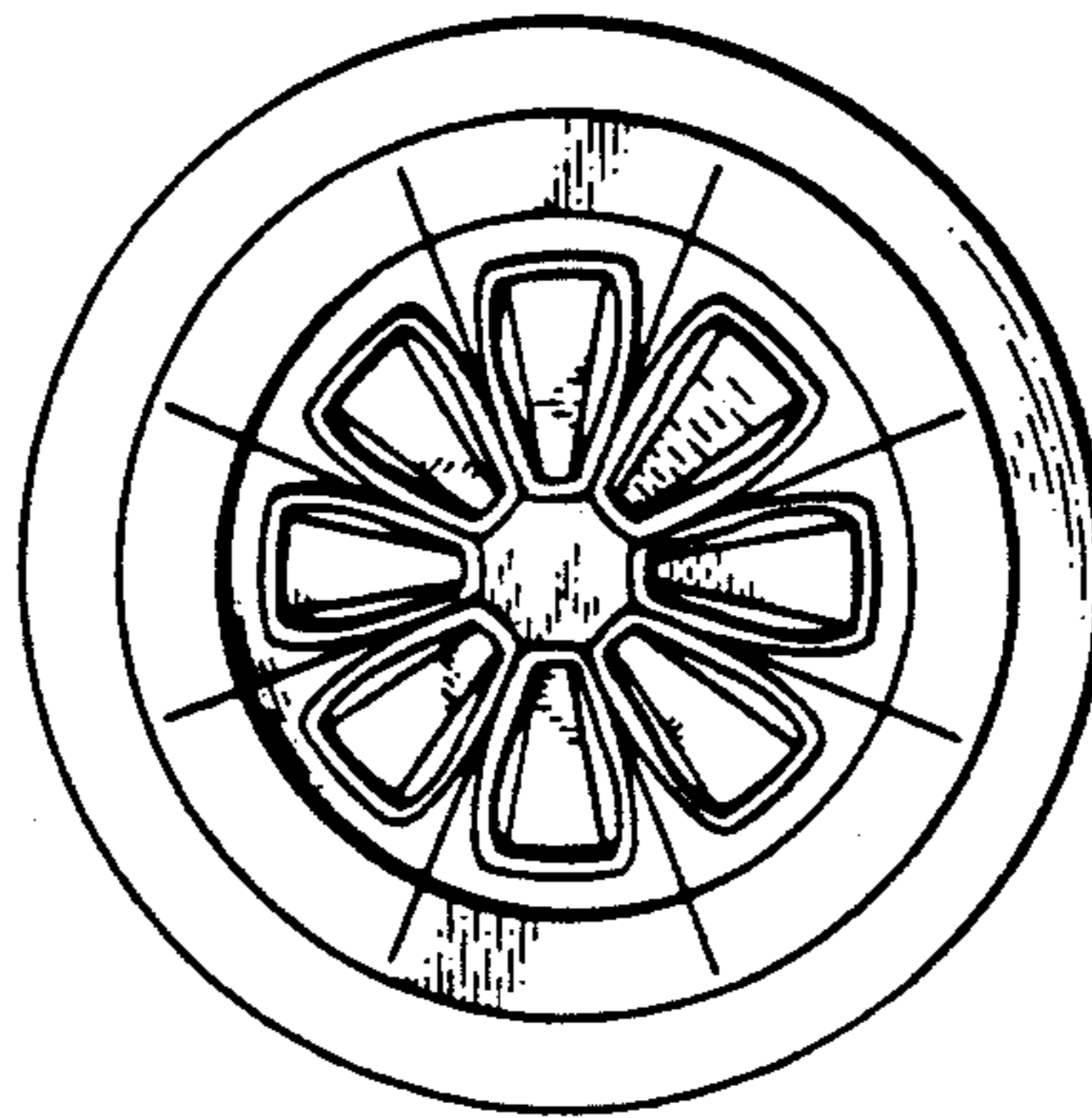


FIG 10

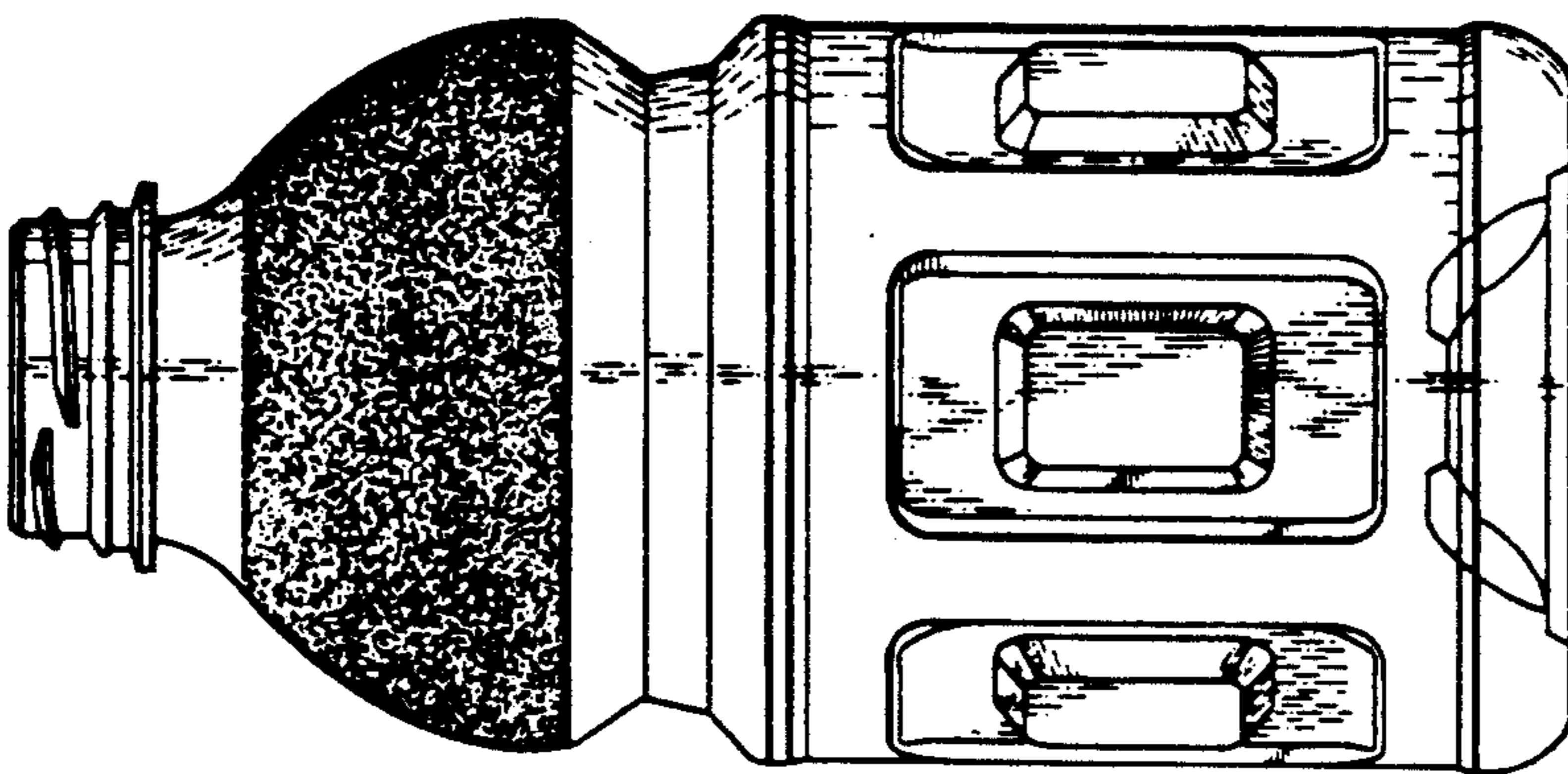


FIG 7