



US00D345689S

United States Patent [19]

[11] Patent Number: **Des. 345,689**

Morooka

[45] Date of Patent: **** Apr. 5, 1994**

[54] DOUBLE WHEEL CASTER

[75] Inventor: **Kozo Morooka, Osaka, Japan**

[73] Assignee: **Daifuku Co., Ltd., Osaka, Japan**

[**] Term: **14 Years**

[21] Appl. No.: **814,686**

[22] Filed: **Dec. 30, 1991**

[52] U.S. Cl. **D8/375**

[58] Field of Search **D8/375; 16/18 R, 18 CG, 16/47**

OTHER PUBLICATIONS

Magnum Opus Style, 1985, p. 12, Caster, center of page.
International Designs Bulletin, Aug. 1982, p. 1342,
Caster located in middle of page.

Colson Catalog, Dec. 6, 1989, Caster, item A located on
center left of page.

Payson Casters, Jul. 5, 1988, p. 44, Caster, located at
bottom of page.

Primary Examiner—Wallace R. Burke

Assistant Examiner—H. Baynham

Attorney, Agent, or Firm—Edwin E. Greigg; Ronald E.
Greigg

[56] References Cited

U.S. PATENT DOCUMENTS

D. 220,938	6/1971	Harlang	D8/375
D. 240,399	7/1976	Crescenzi	D8/375
D. 241,004	8/1976	Pinaire	D8/375
D. 241,611	9/1976	Crescenzi	D8/375
D. 244,989	7/1977	Crescenzi	D8/375
D. 288,286	2/1987	Screen	D8/375
D. 329,011	9/1992	Block	D8/375
D. 334,884	4/1993	Harada	D8/375
3,997,938	12/1976	Pinaire et al.	16/47 X
4,773,122	9/1988	Wilcox	16/18 R
5,014,392	5/1991	Melara	16/47 X

[57] CLAIM

The ornamental design for a double wheel caster, as
shown and described.

DESCRIPTION

FIG. 1 is a plan view of a double wheel caster showing
my new design;

FIG. 2 is a front view;

FIG. 3 is a right side view;

FIG. 4 is a left side view;

FIG. 5 is a bottom view; and,

FIG. 6 is a perspective view.

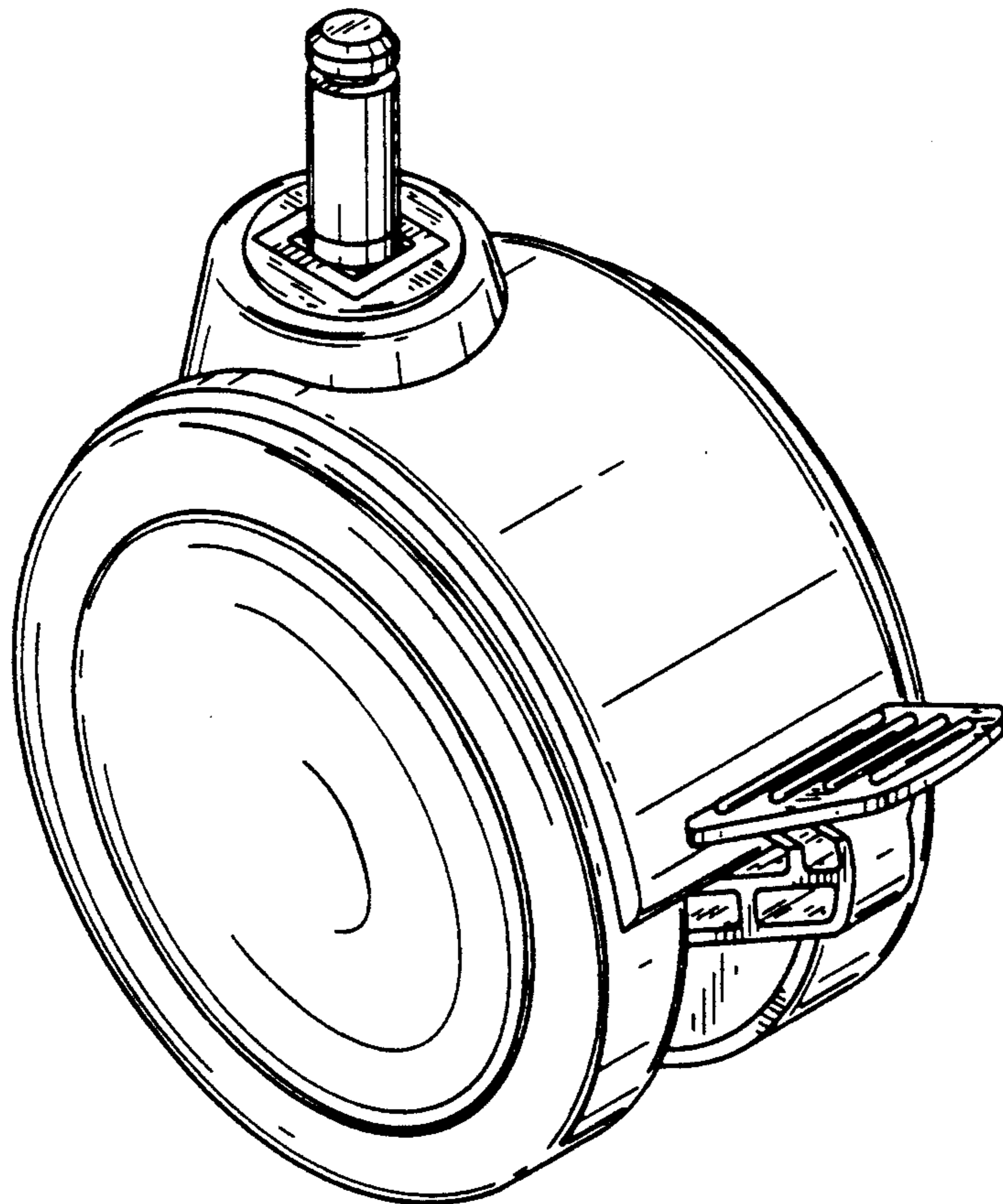


FIG. 1

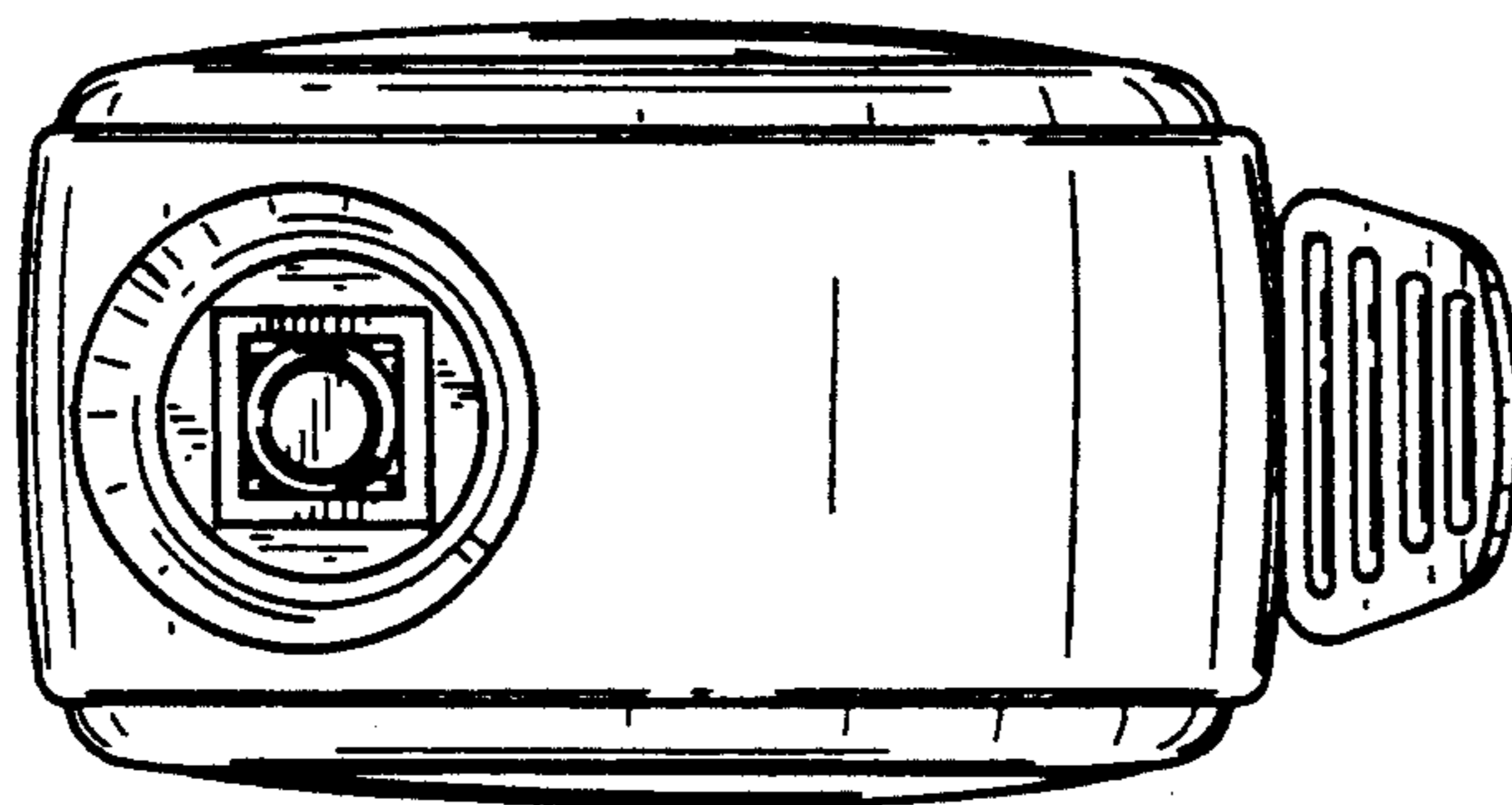
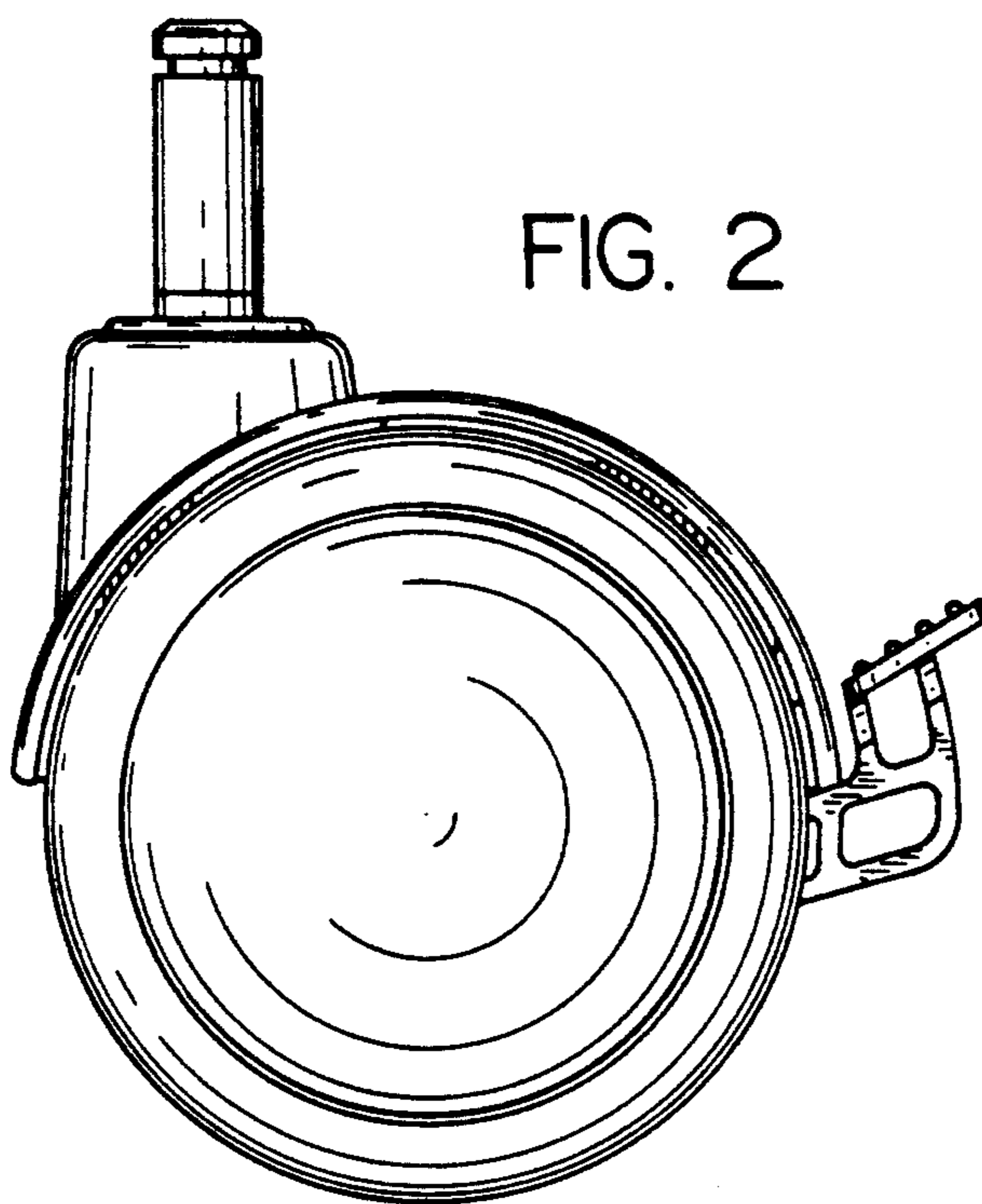


FIG. 2



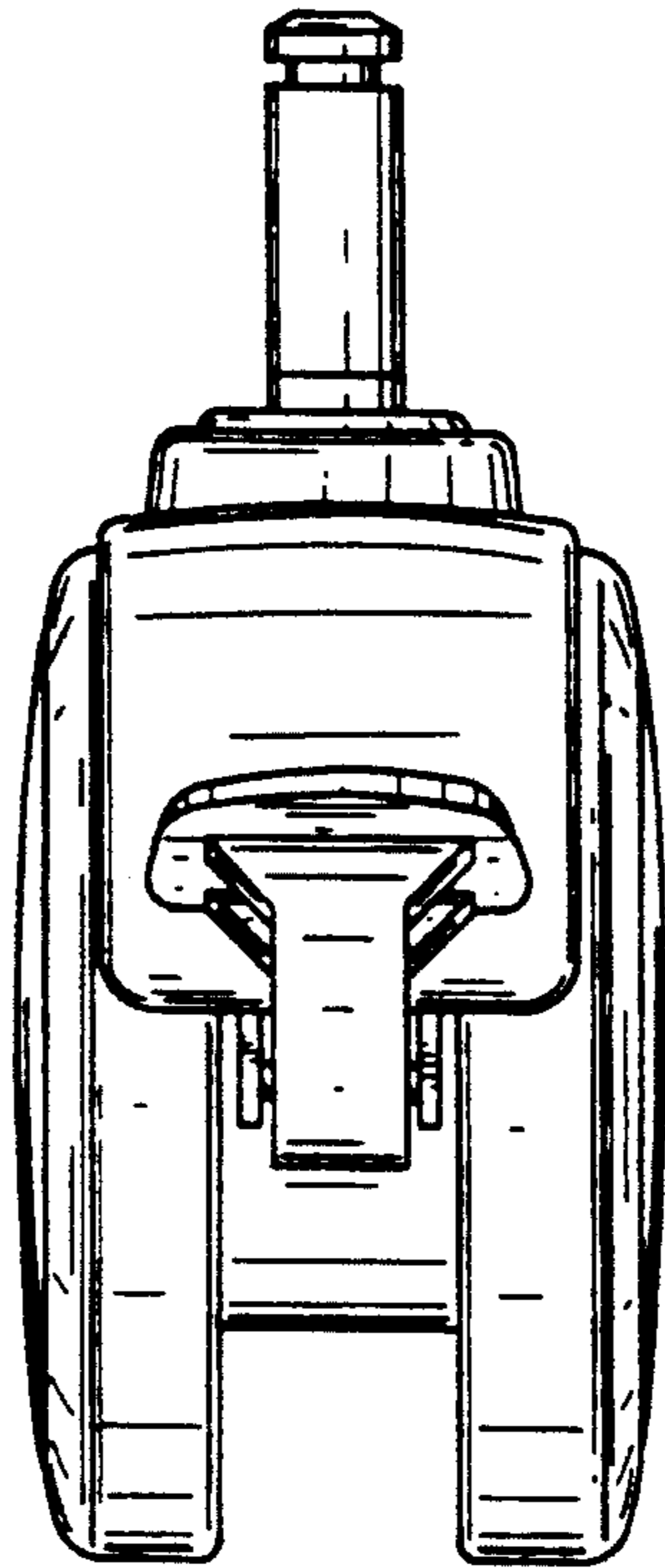


FIG. 3

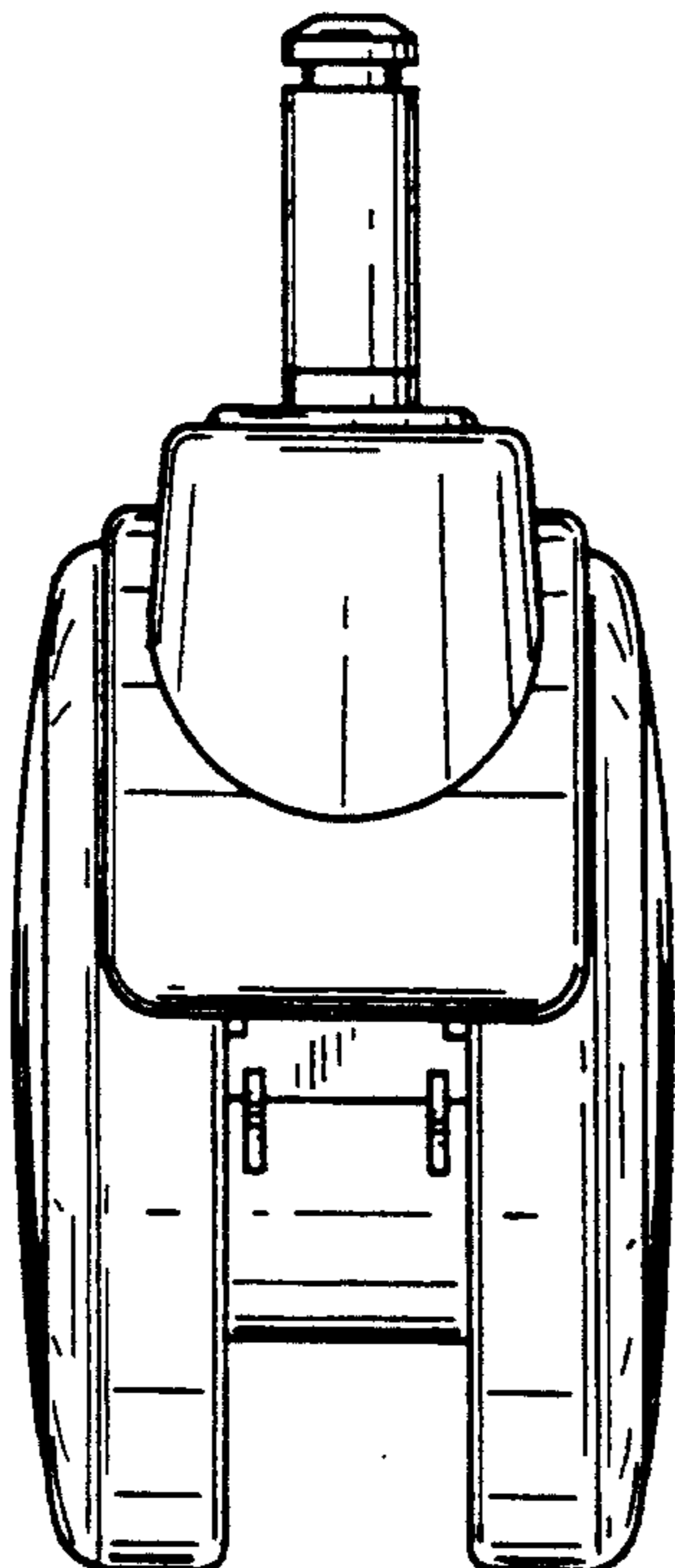


FIG. 4

FIG. 5

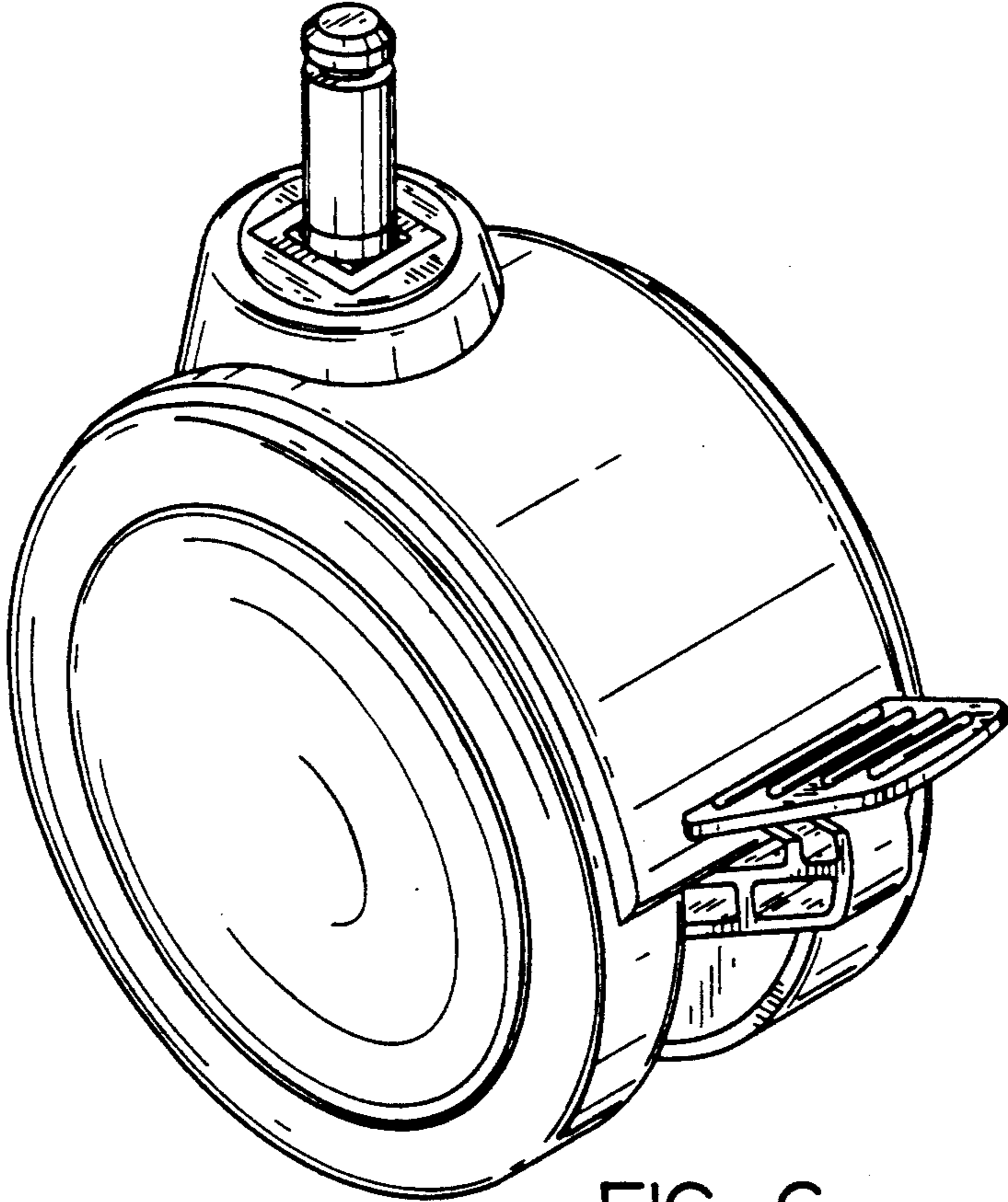
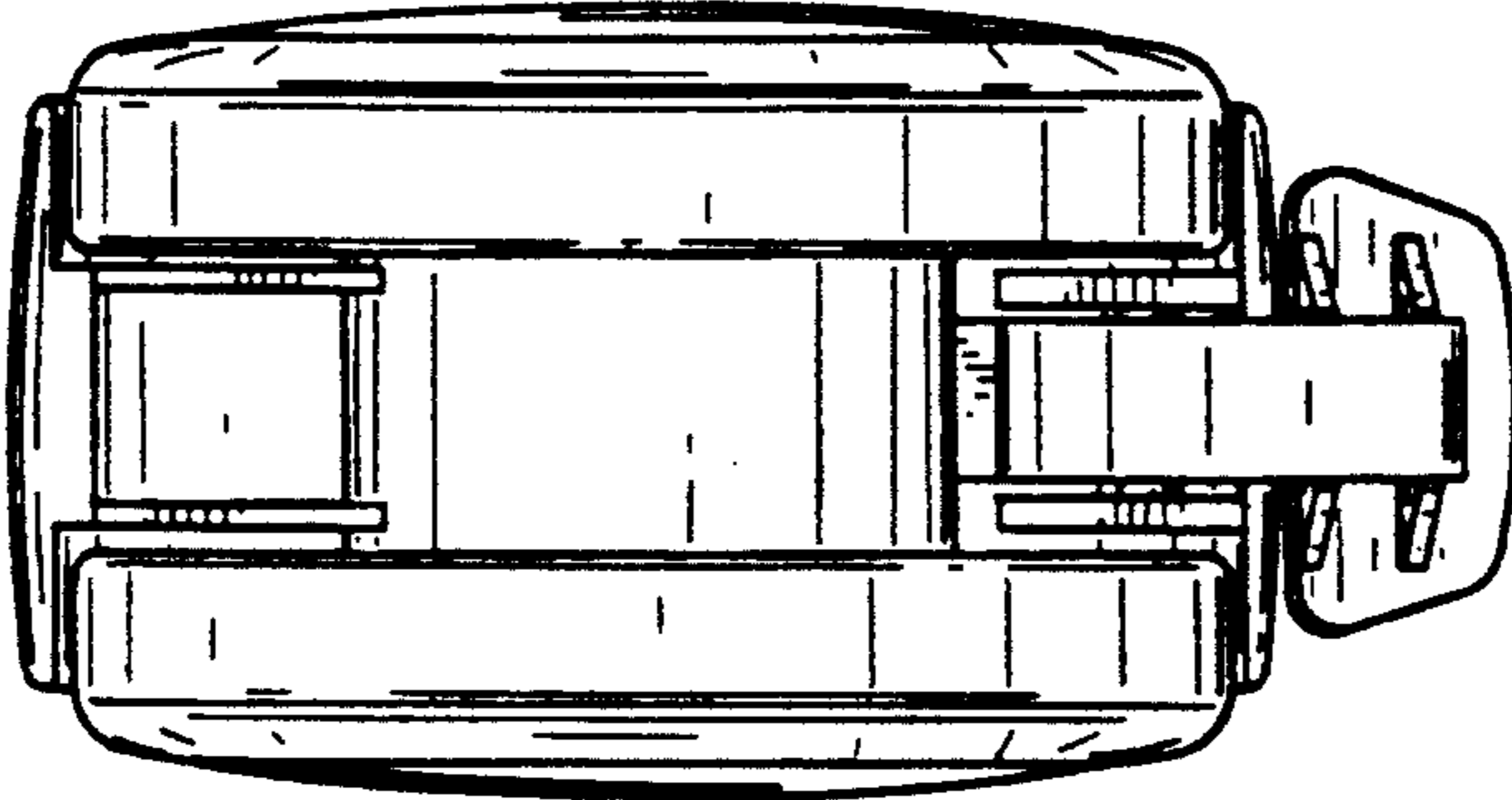


FIG. 6