



US00D345684S

United States Patent [19]

Shaanan

[11] Patent Number: **Des. 345,684**

[45] Date of Patent: **** Apr. 5, 1994**

[54] **COMBINED HANDLE AND ESCUTCHEON**

4,873,853 10/1989 Foshee 70/452

[75] Inventor: **Gad Shaanan**, Montreal, Canada

OTHER PUBLICATIONS

[73] Assignee: **La Compagnie Ideal Security Inc.**,
Quebec, Canada

K. S. Schafer Cat.; p. 2; lever and escutcheon 503/603
(upper right).

[**] Term: **14 Years**

Primary Examiner—B. J. Bullock

[21] Appl. No.: **4,158**

Attorney, Agent, or Firm—Sterne, Kessler Goldstein &
Fox

[22] Filed: **Jan. 28, 1993**

[57] CLAIM

[30] Foreign Application Priority Data

The ornamental design for a combined handle and es-
cutcheon, as shown and described.

Jul. 28, 1992 [CA] Canada 2807921

[52] U.S. Cl. **D8/301; D8/308;**
D8/353

[58] Field of Search D8/301, 308, 353;
16/110 R; 70/450, 452; 292/347, 357

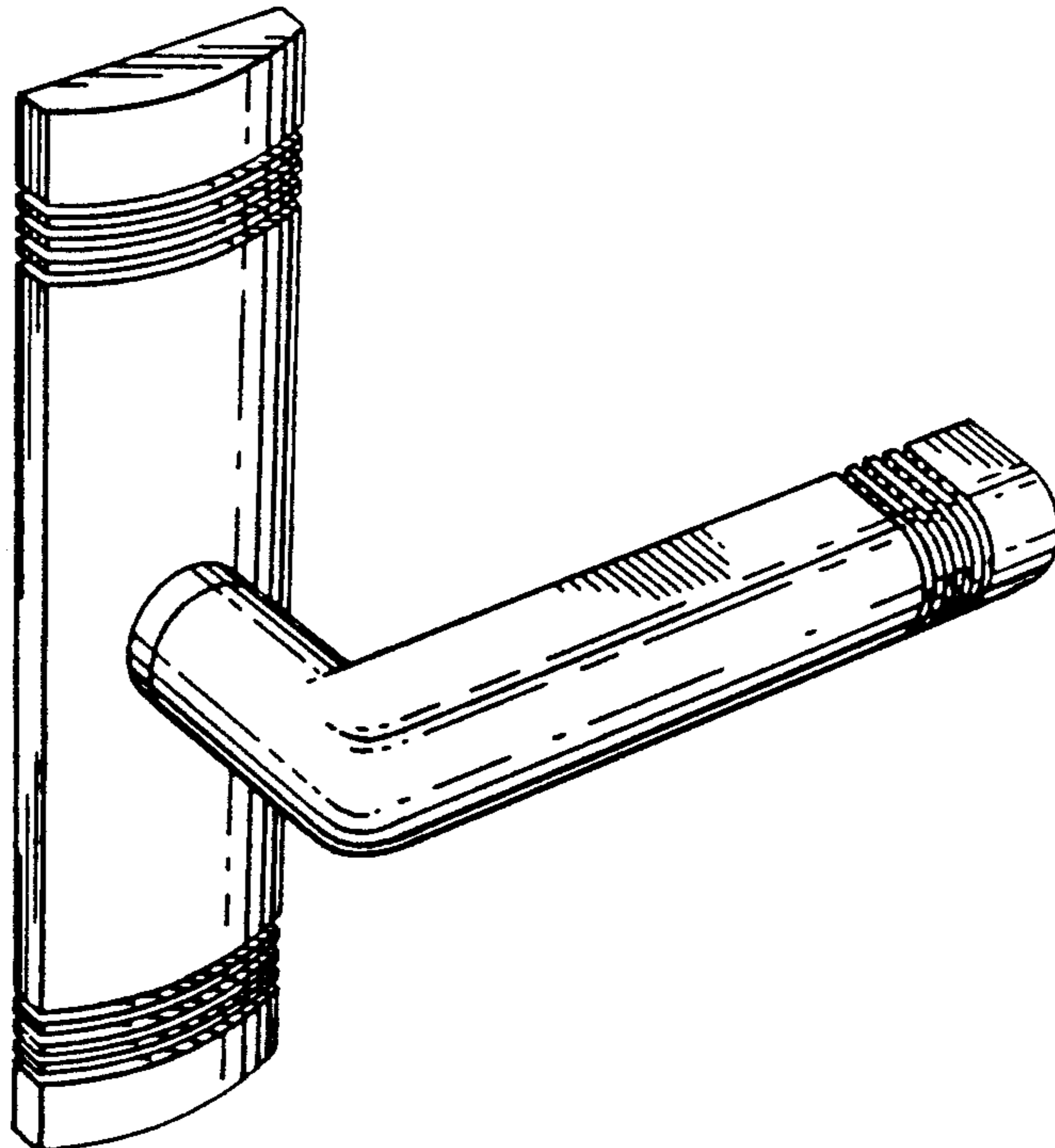
DESCRIPTION

[56] References Cited

U.S. PATENT DOCUMENTS

D. 83,157 1/1931 Graff D8/308
D. 261,726 11/1981 Valli D8/301

FIG. 1 is a perspective view of a combined handle and
escutcheon in accordance with the present design;
FIG. 2 is a front elevation thereof;
FIG. 3 is a bottom view thereof, the top being a mirror
image;
FIG. 4 is a left side elevation thereof;
FIG. 5 is a right side elevation thereof; and,
FIG. 6 is a rear elevation thereof.



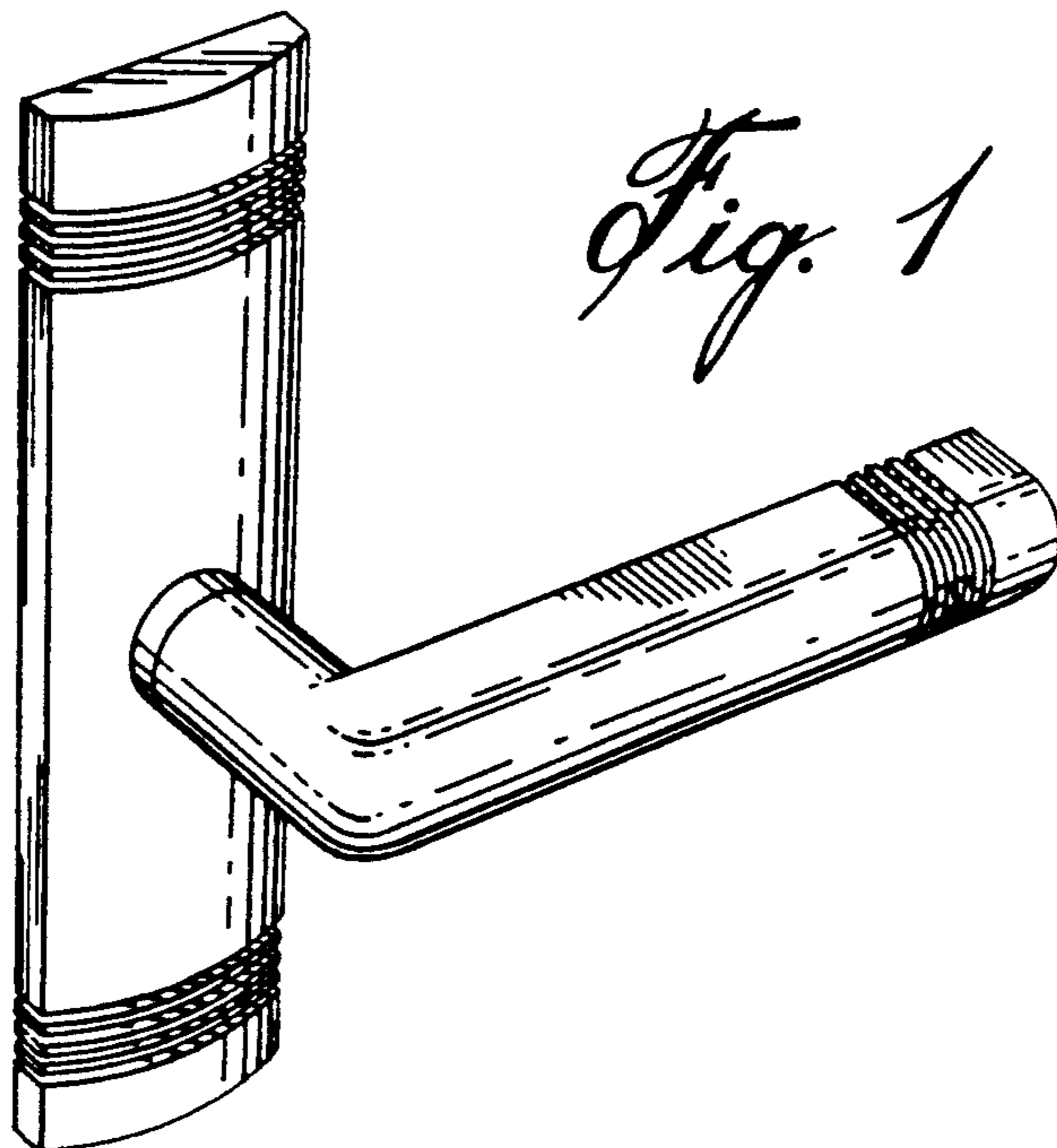


Fig. 1

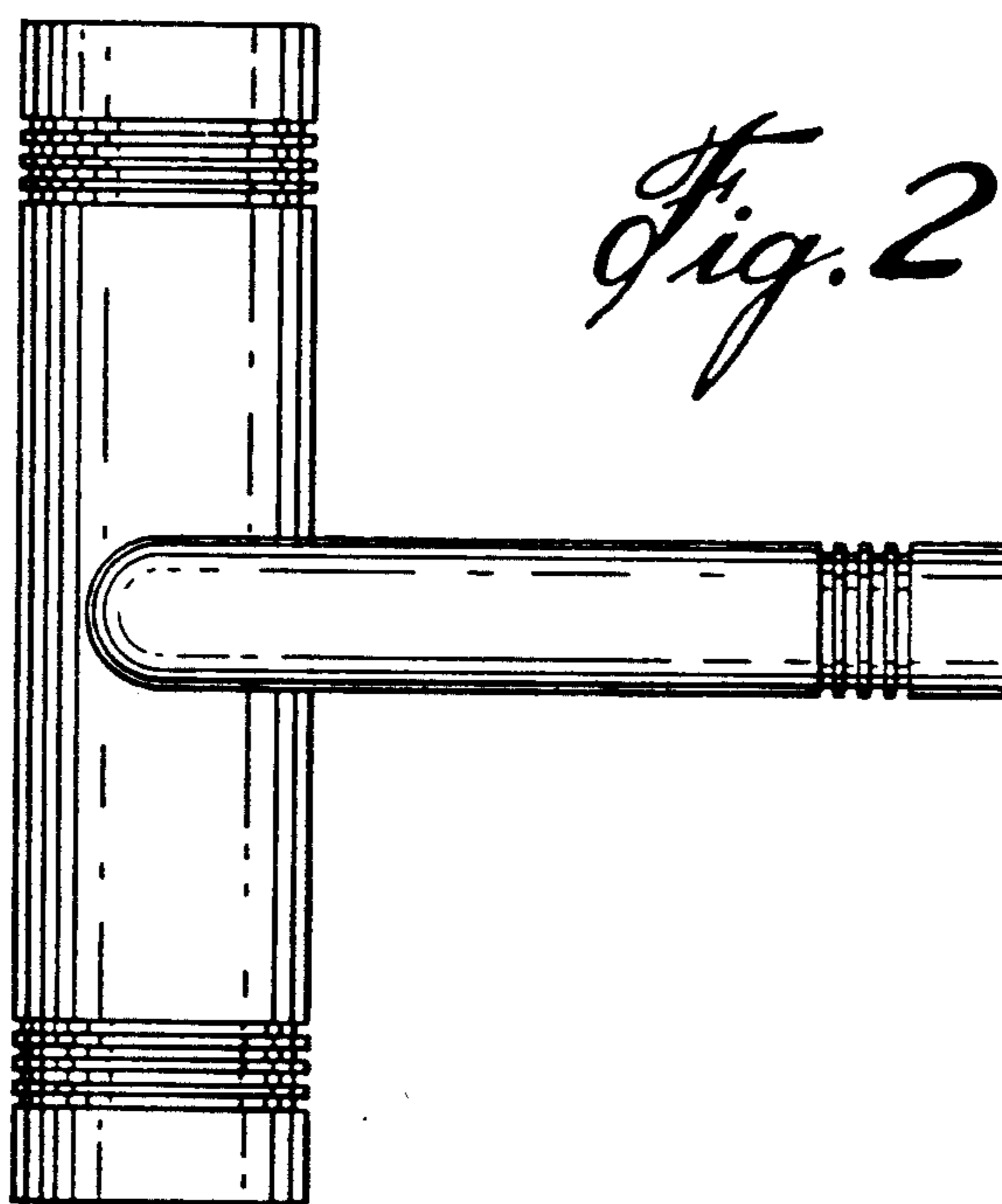


Fig. 2



Fig. 3

