



US00D345674S

United States Patent [19]

Charland

[11] Patent Number: **Des. 345,674**

[45] Date of Patent: **** Apr. 5, 1994**

[54] **COMBINED MUGS AND CARRIER**

[76] Inventor: **Louis B. Charland**, P.O. Box 222,
Port Moody, British Columbia,
Canada, V3H 3V5

[**] Term: **14 Years**

[21] Appl. No.: **904,877**

[22] Filed: **Jun. 26, 1992**

[52] U.S. Cl. **D7/507; D7/547;
D7/600; D7/553**

[58] Field of Search **D7/507, 505, 506, 509,
D7/510, 511, 533, 534, 535, 536, 538, 598, 600,
318, 605; D3/30.1, 99, 36; 206/217, 501, 150;
220/23.83, 756, 769, 771; 215/228; 211/71,
49.1; 248/311.2**

[56] **References Cited**

U.S. PATENT DOCUMENTS

- D. 65,521 9/1924 Cohen D7/507
- D. 92,207 5/1934 Reilly D7/547
- D. 165,076 11/1951 Hill D7/600
- D. 169,433 4/1953 Goldman D7/600 X

- D. 207,963 6/1967 Franklin D7/600 X
- D. 210,613 3/1968 Moore D7/547 X
- D. 216,145 11/1969 Swett D7/600
- D. 305,194 12/1989 Durand D7/536
- D. 309,545 7/1990 Ancona et al. D7/536 X
- 1,975,241 10/1934 Werber et al. D7/536 X
- 4,235,331 11/1980 Bates, III et al. 220/771 X
- 4,901,846 2/1990 Lehman 206/501 X
- 5,018,620 5/1991 Marco et al. 206/150

Primary Examiner—Alan P. Douglas
Assistant Examiner—M. N. Pandozzi
Attorney, Agent, or Firm—Hughes & Multer

[57] **CLAIM**

The ornamental design for combined mugs and carrier, as shown and described.

DESCRIPTION

FIG. 1 is a top perspective view of combined mugs and carrier showing my new design;
FIG. 2 is a front elevational view thereof;
FIG. 3 is a top plan view thereof;
FIG. 4 is a side elevational view thereof;
FIG. 5 is a rear elevational view thereof; and,
FIG. 6 is a bottom plan view thereof.

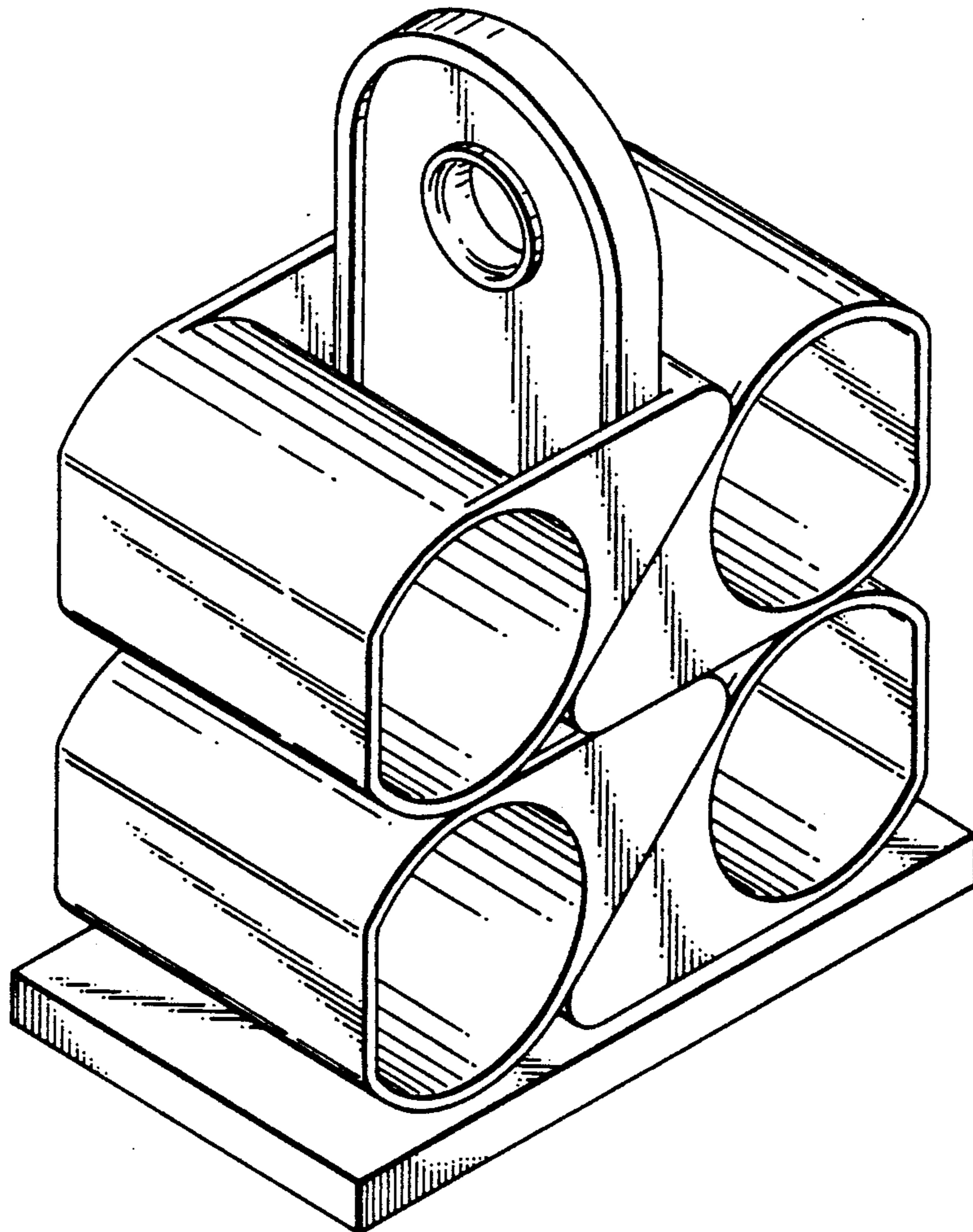


FIG. 1

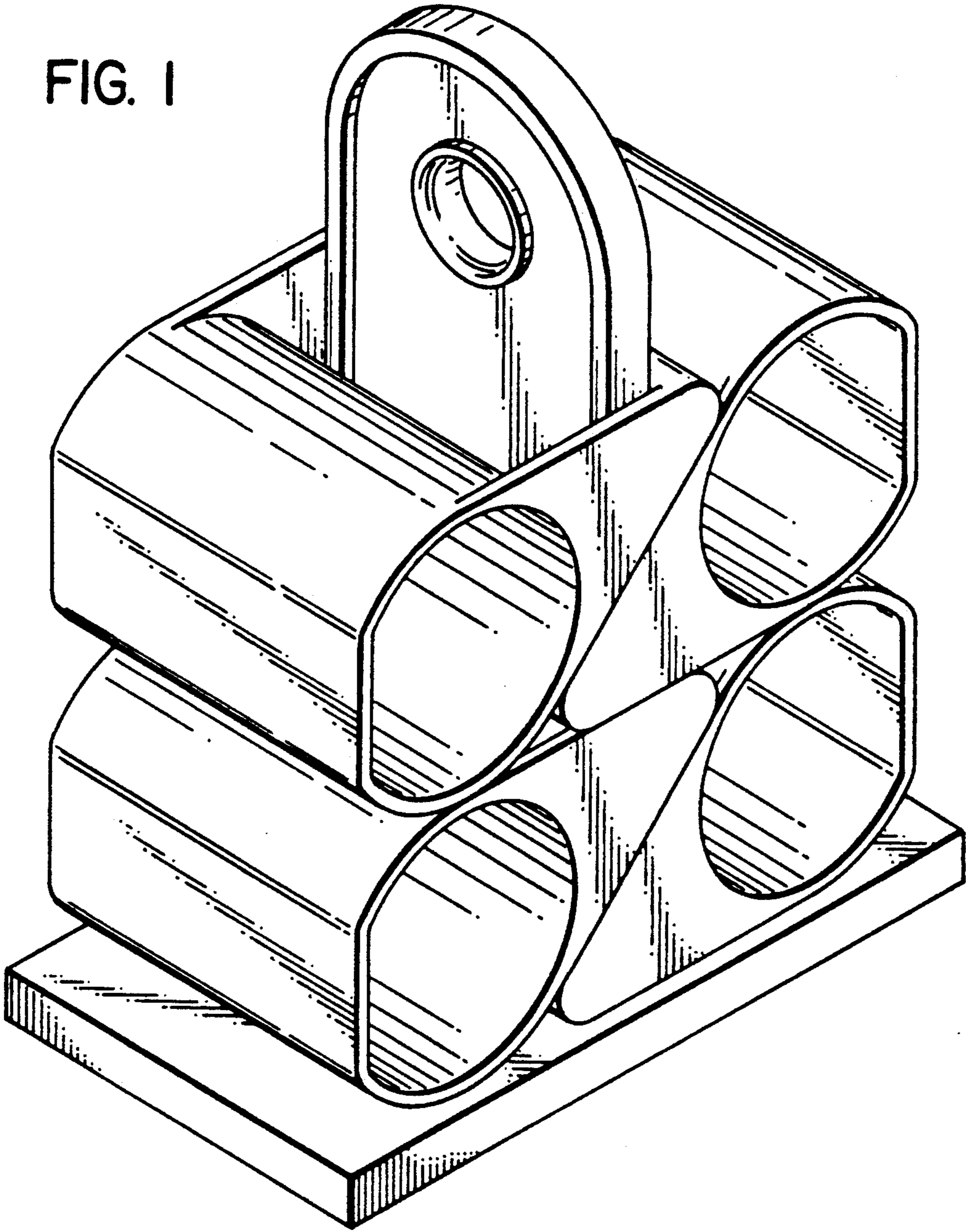


FIG. 2

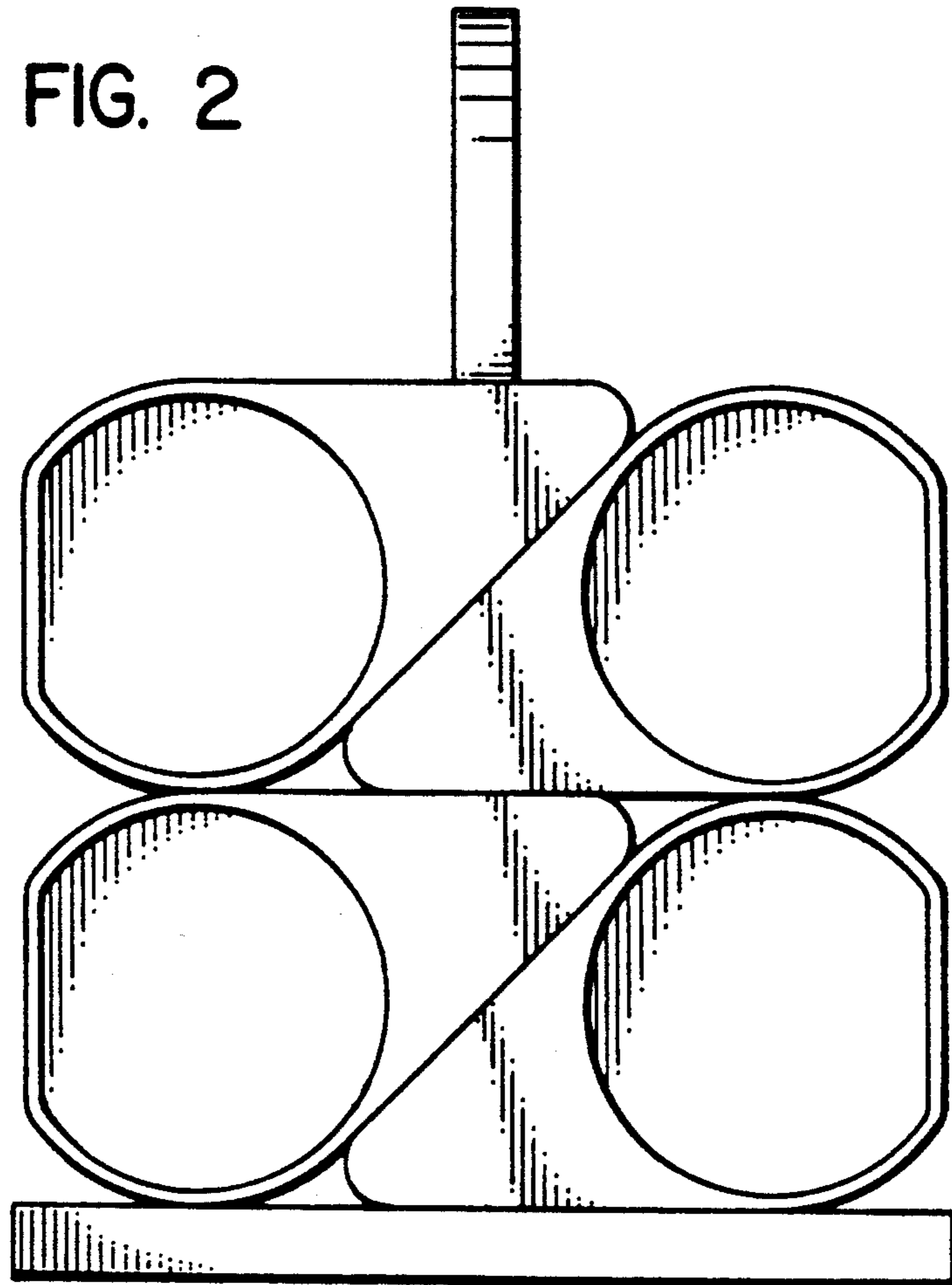
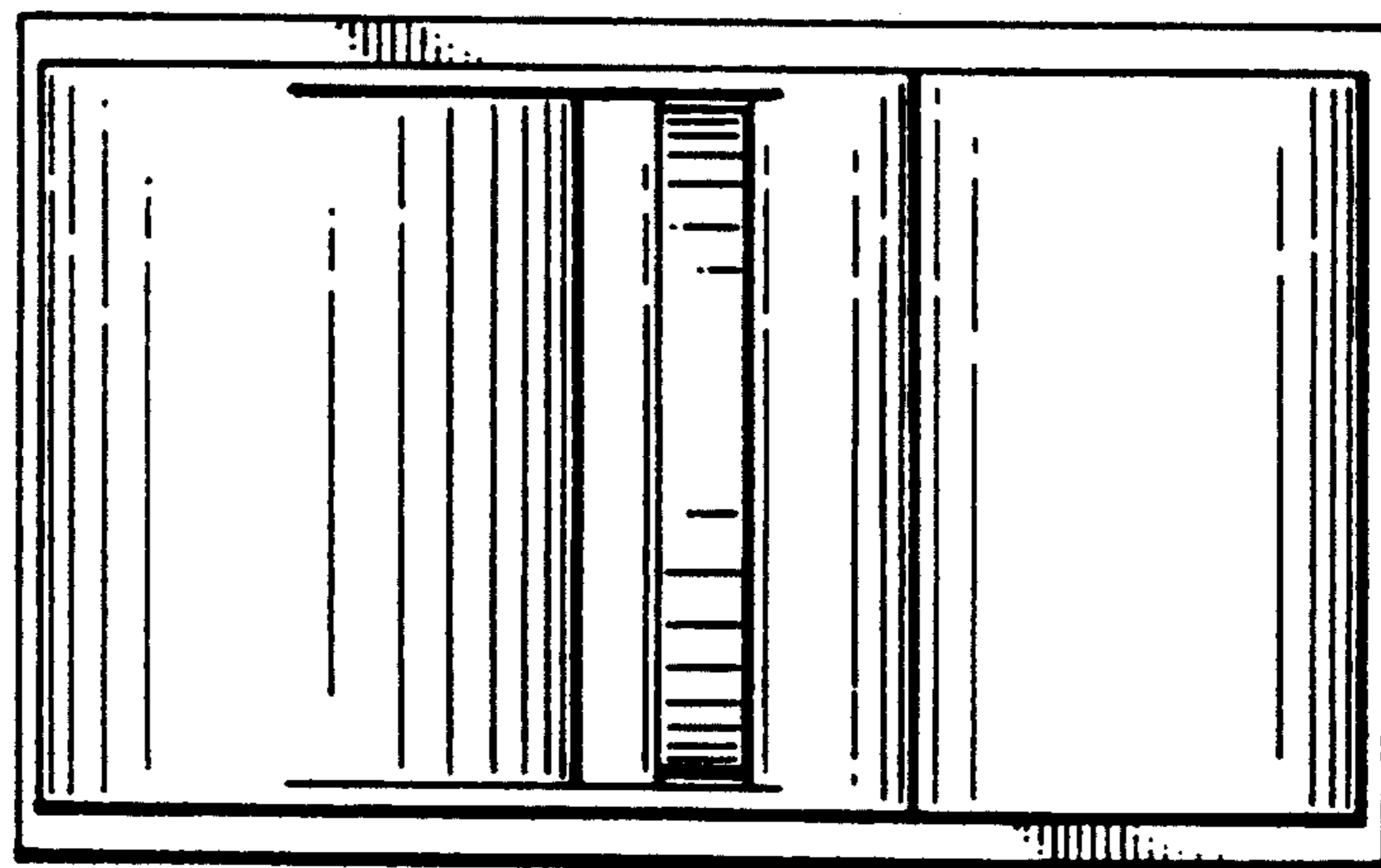


FIG. 3



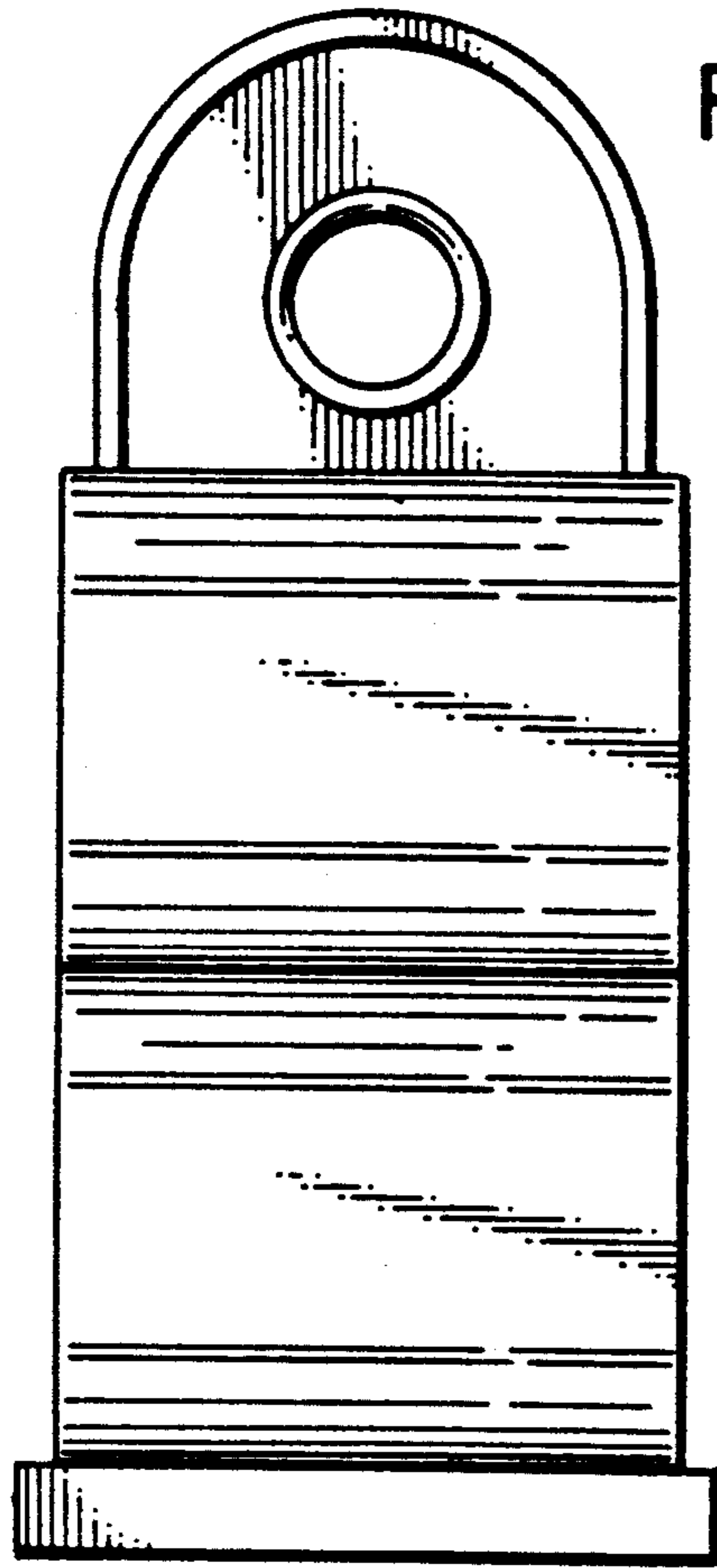


FIG. 4

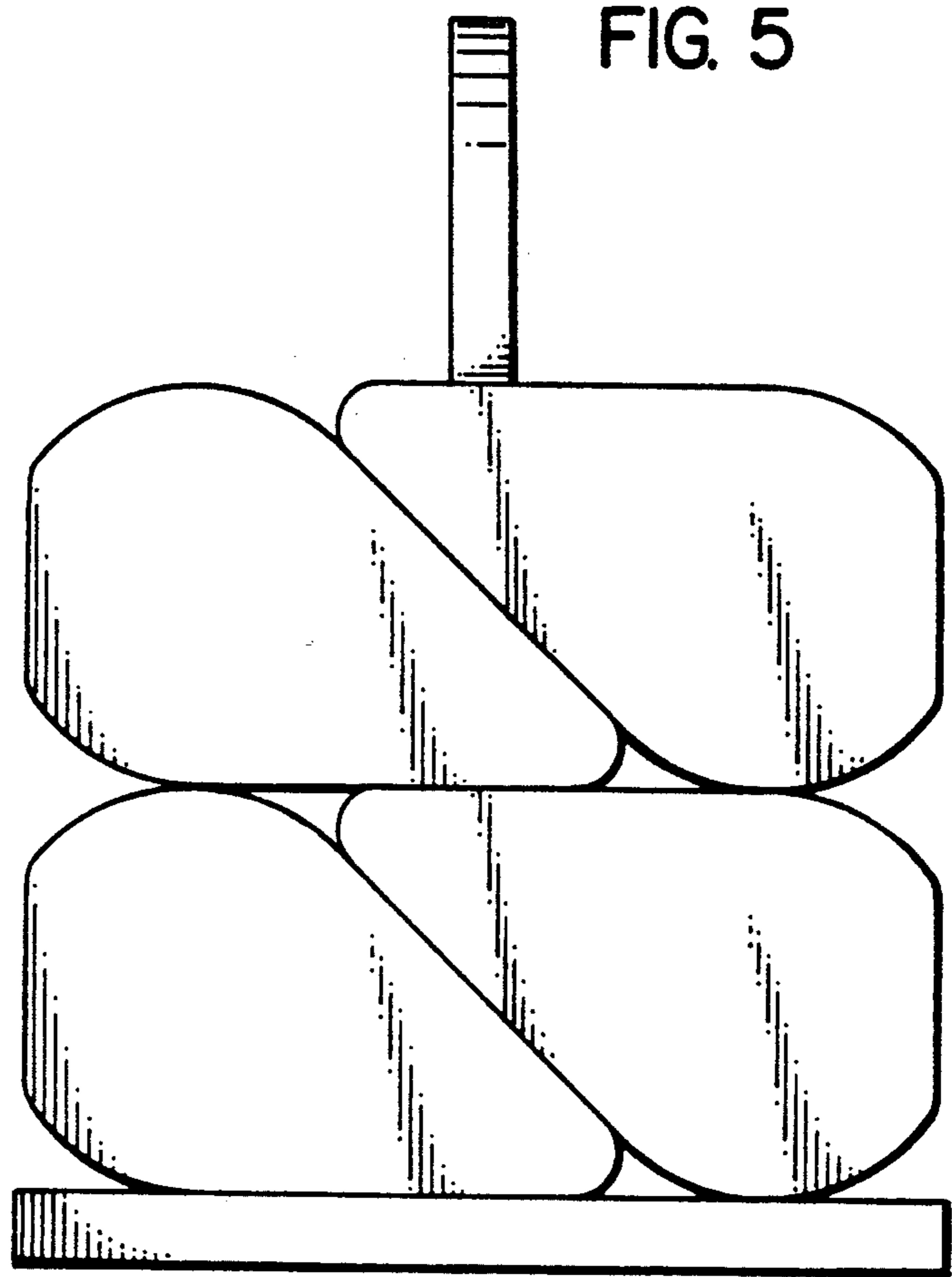


FIG. 5

FIG. 6

