



US00D345671S

United States Patent [19]

[11] Patent Number: **Des. 345,671**

Sham et al.

[45] Date of Patent: **** Apr. 5, 1994**

[54] **FOOD SLICER**

[76] Inventors: **John C. K. Sham**, Rm. 1508 Bock C, 19 Broadwood Rd., Hong Kong; **Yu S. Kwong**, Flat H, 13/G, Hoi Ming Mansions, Riviera Garden, Tsuen Wan, N.T. Hong Kong, both of Hong Kong

D. 300,400	3/1989	Kelly et al.	D7/384 X
D. 316,207	4/1991	Gaber et al.	D7/384
4,143,824	3/1979	Shiotani	241/282.1
4,921,174	5/1990	Okada et al.	241/37.5
4,921,175	5/1990	Okada et al.	241/37.5
5,033,552	7/1991	Hu	241/37.5 X

[**] Term: **14 Years**

Primary Examiner—Nelson C. Holtje
Assistant Examiner—Caron D. Veynar
Attorney, Agent, or Firm—Dilworth & Barrese

[21] Appl. No.: **714,046**

[57] **CLAIM**

[22] Filed: **Jun. 12, 1991**

The ornamental design for a food slicer, as shown and described.

[52] U.S. Cl. **D7/381; D7/383; D7/384**

DESCRIPTION

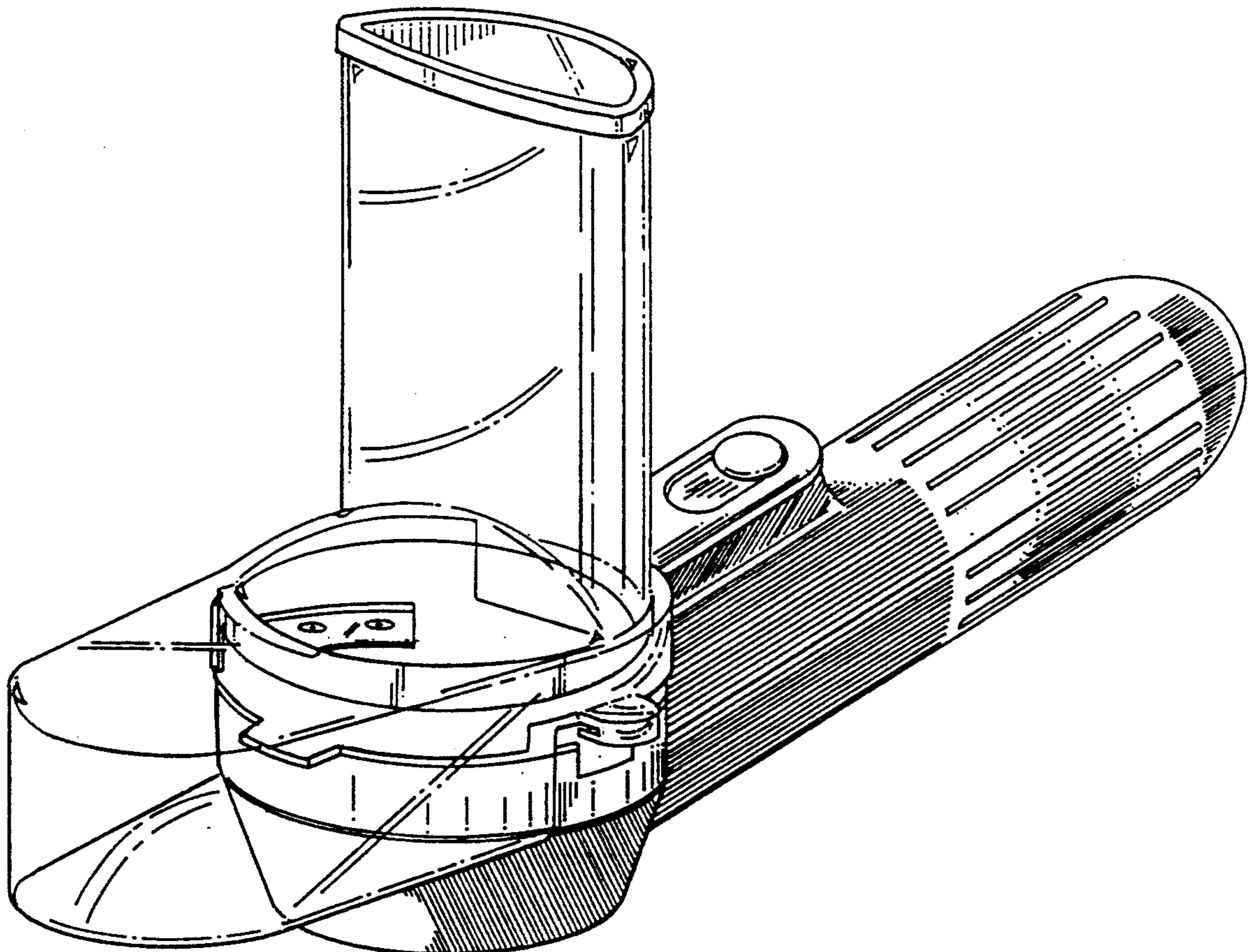
[58] **Field of Search** D7/376, 379, 383, 384, D7/386, 412; 241/37.5, 92, 93, 101.1, 199.12, 282.1, 282.2; 99/510

FIG. 1 illustrates a top, front and side perspective view of our new design for a food slicer;
FIG. 2 illustrates a top plan view thereof;
FIG. 3 illustrates a left side elevational view thereof;
FIG. 4 illustrates a front elevational view thereof;
FIG. 5 illustrates a rear elevational view thereof; and,
FIG. 6 illustrates a bottom plan view thereof.

[56] **References Cited**

U.S. PATENT DOCUMENTS

251,231 3/1979 Hashimoto D7/384



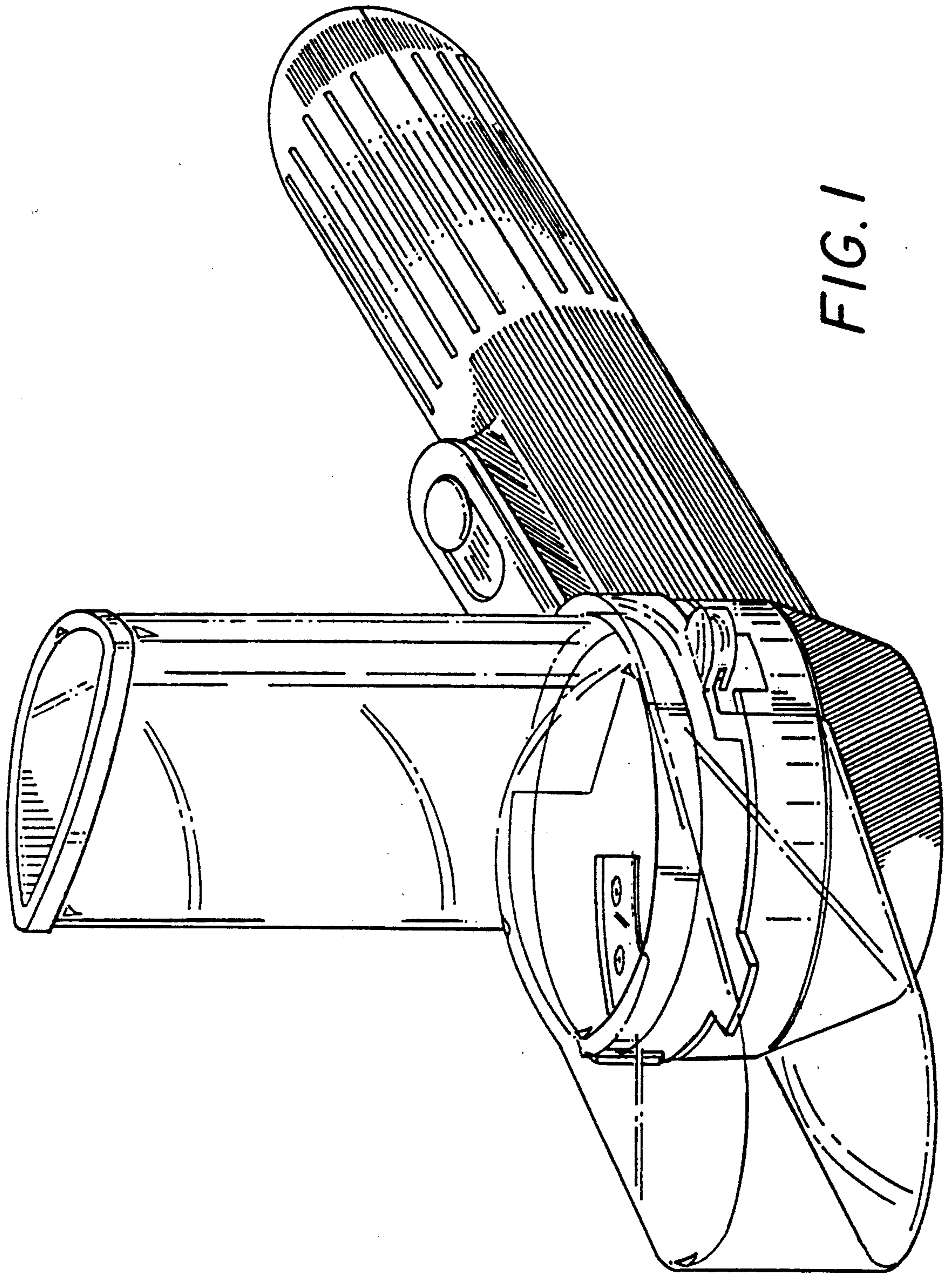


FIG. 1

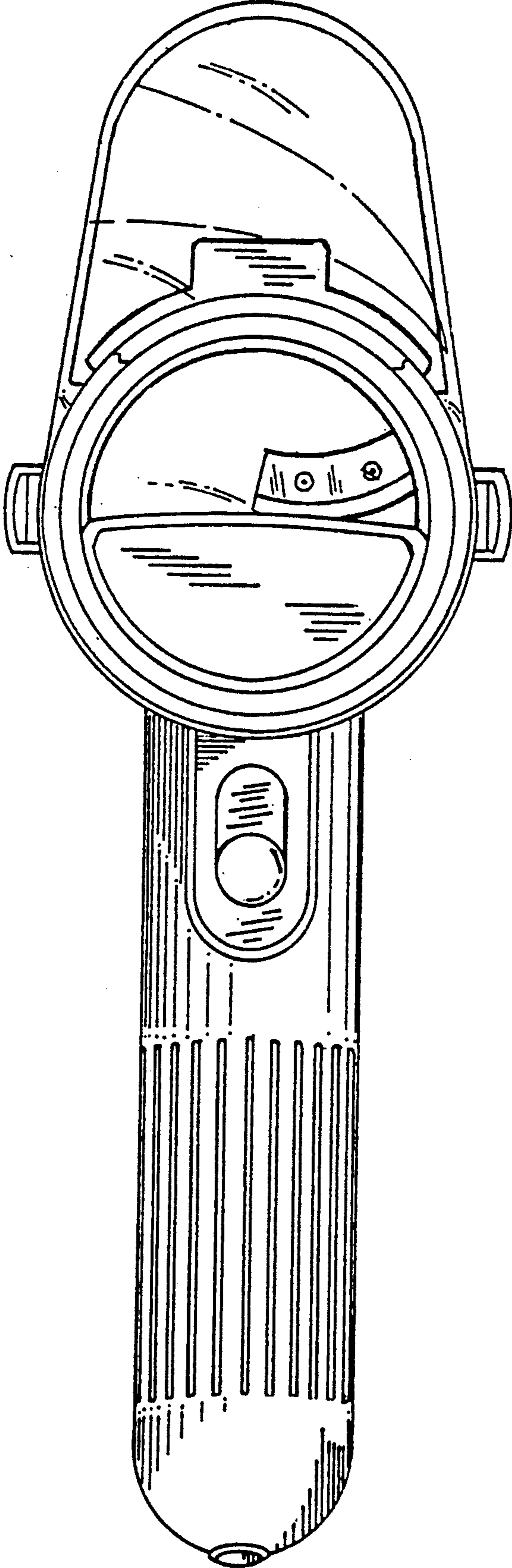
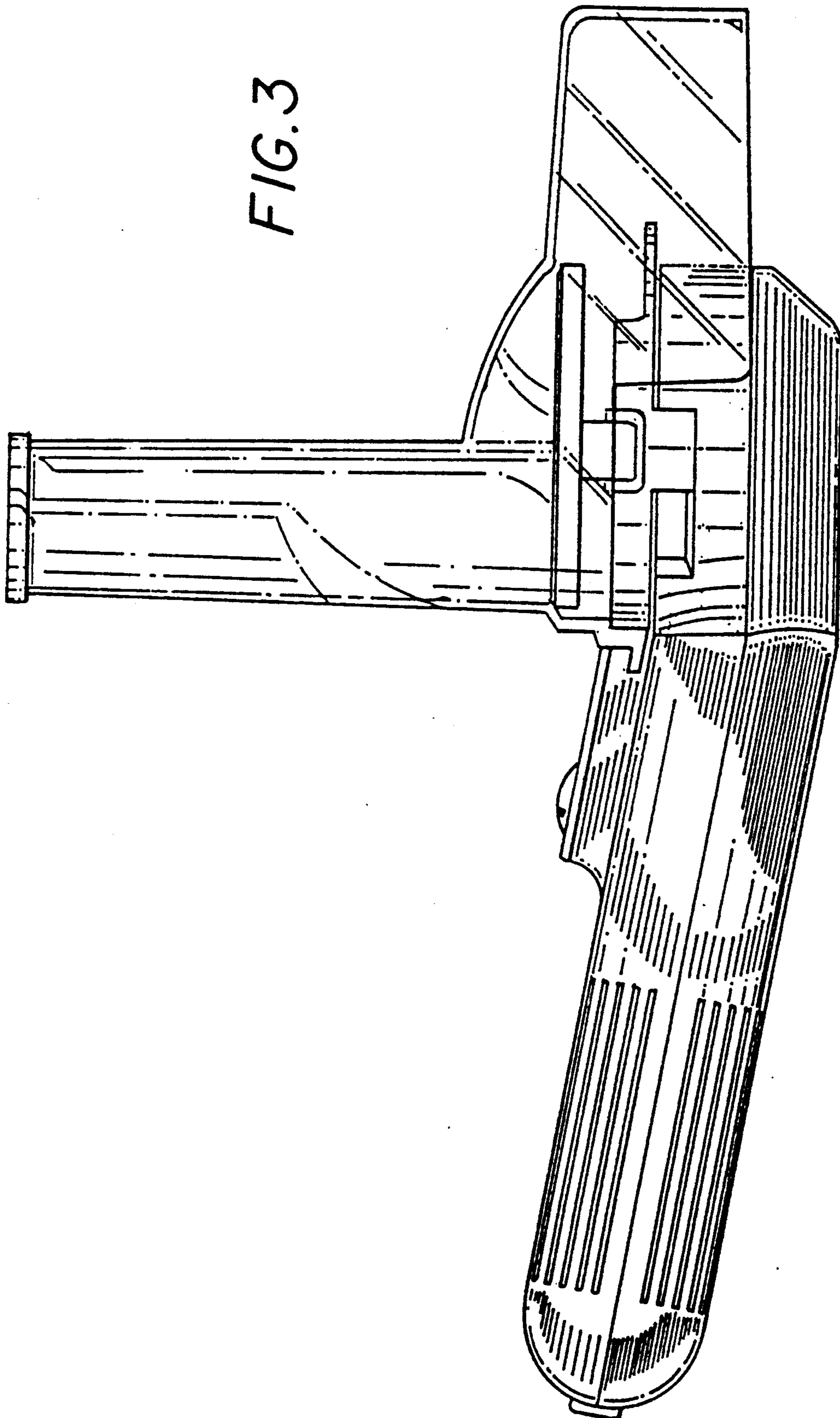


FIG. 2

FIG. 3



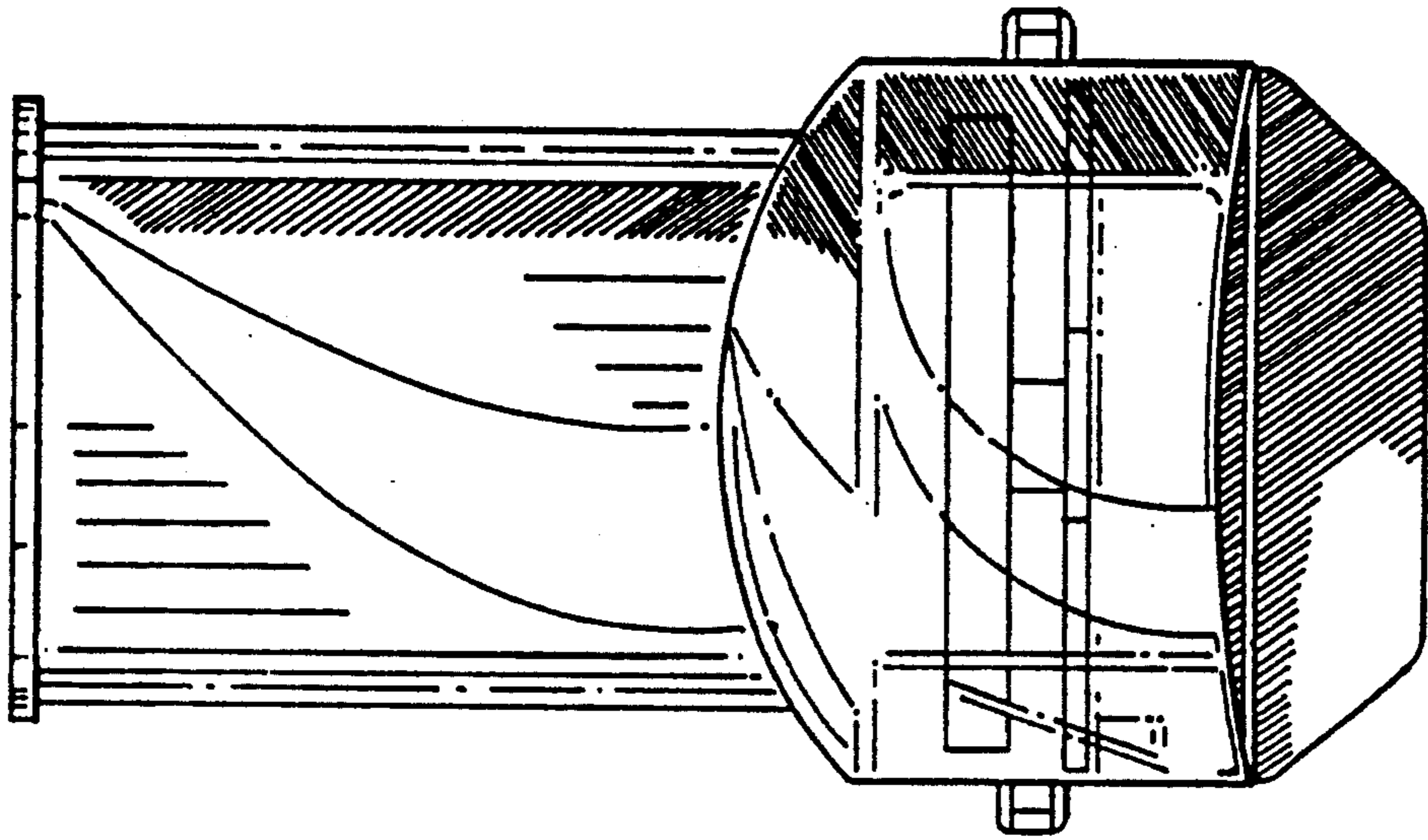


FIG. 5

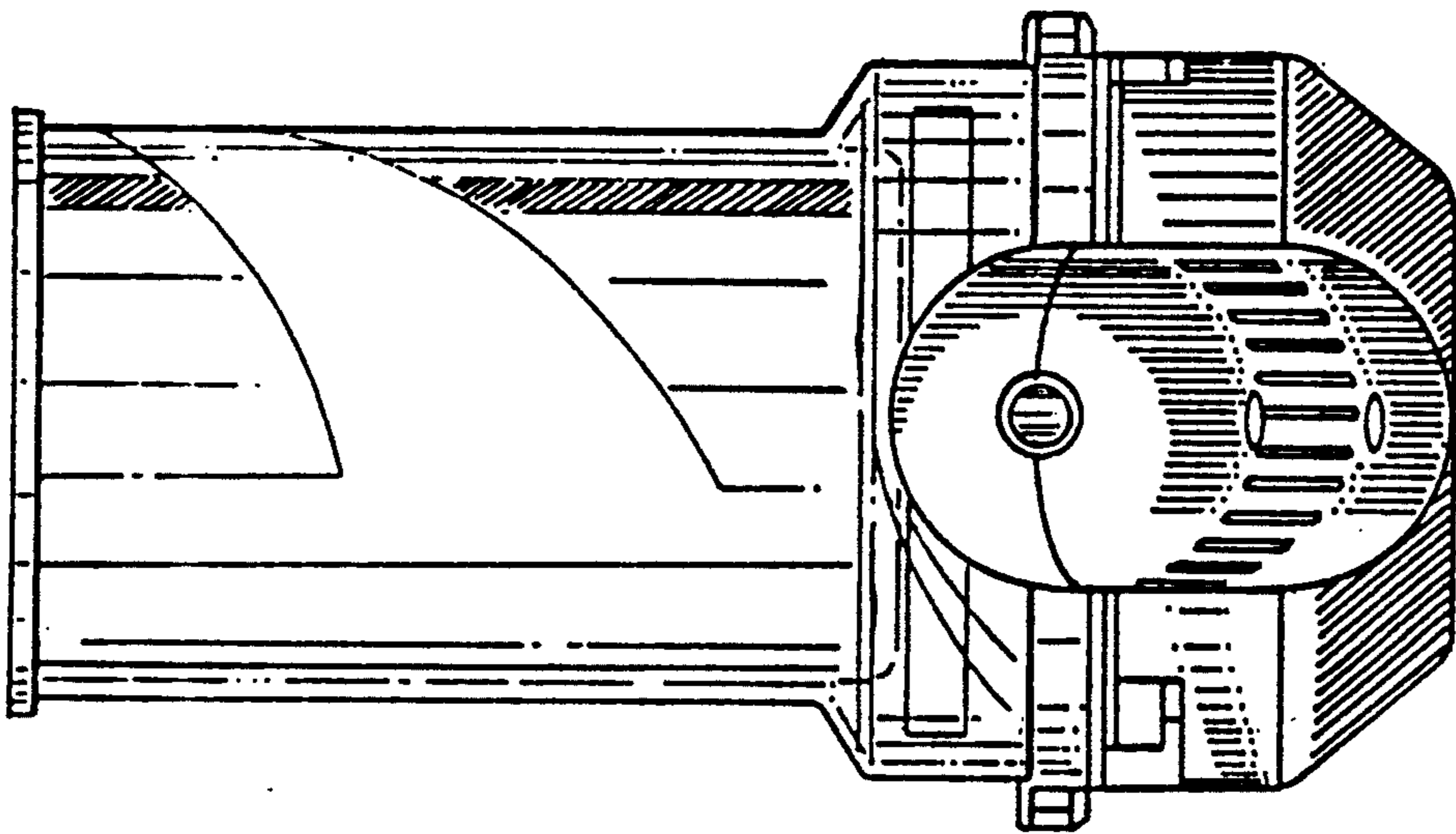


FIG. 4

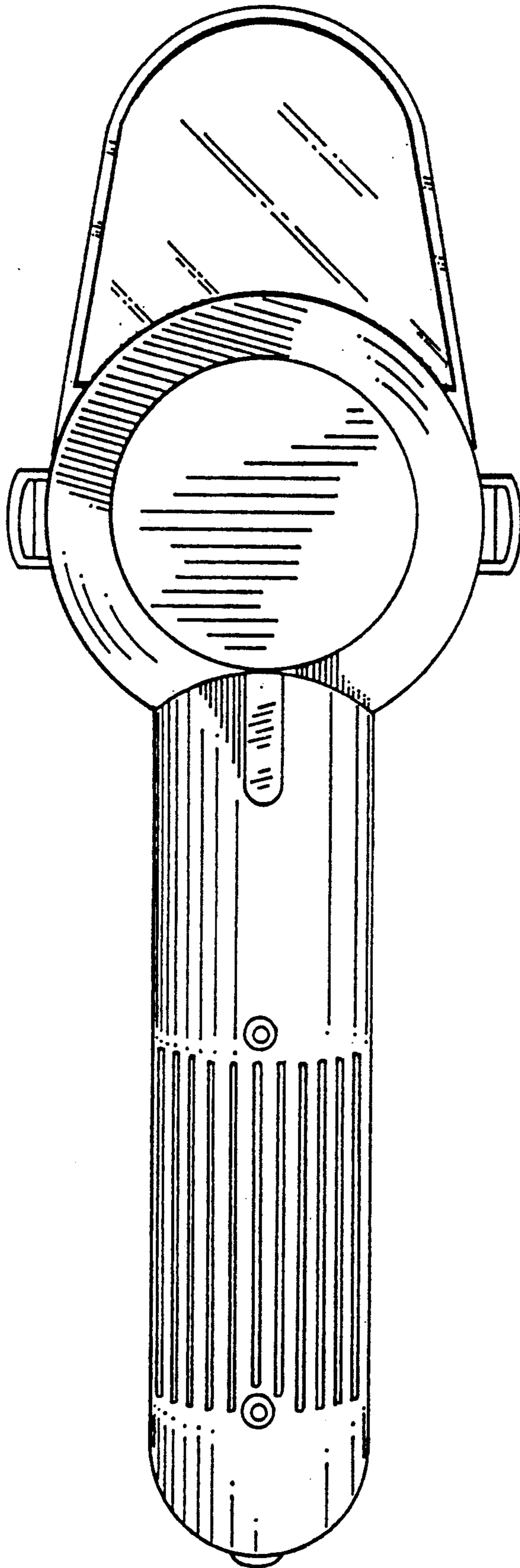


FIG. 6