



US00D345668S

United States Patent [19]

[11] Patent Number: **Des. 345,668**

Braly

[45] Date of Patent: **** Apr. 5, 1994**

[54] **T-BRACED KNEE SUPPORT PILLOW**

Assistant Examiner—Lisa Lichtenstein
Attorney, Agent, or Firm—Rhodes & Ascolillo

[76] Inventor: **Denis L. Braly**, 502 Davistown Rd.,
Midway, Ky. 40347

[57] **CLAIM**

[**] Term: **14 Years**

The ornamental design for a t-braced knee support pillow, as shown and described.

[21] Appl. No.: **8,814**

DESCRIPTION

[22] Filed: **May 27, 1993**

[52] U.S. Cl. **D6/601; D6/596**

[58] Field of Search **D6/601, 595, 596;**
5/648, 650; 128/882, 889, 892, 845, 891;
D24/190-192

FIG. 1 is a perspective view of a t-braced knee support pillow showing my new design, the broken-line showing of a shorts-clad user is for illustrative purposes only and forms no part of the claimed design;

[56] **References Cited**

U.S. PATENT DOCUMENTS

4,736,477 4/1988 Moore 5/443

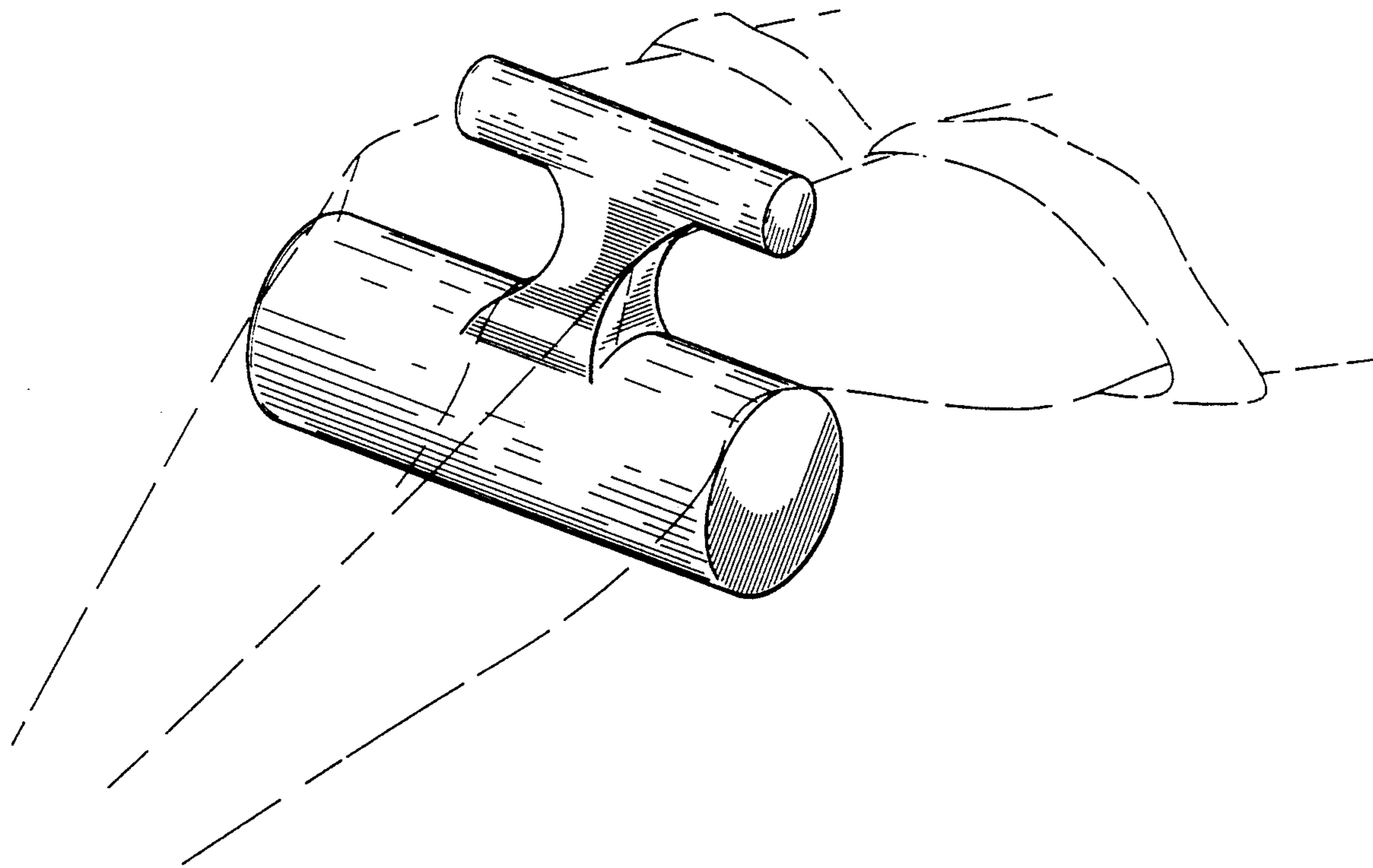
FIG. 2 is a bottom plan view of a t-braced knee support pillow;

FIG. 3 is a front elevational view, the rear elevational view being a mirror image thereof;

FIG. 4 is a left side elevational view, the right side elevational view being a mirror image thereof; and,

FIG. 5 is a top plan view.

Primary Examiner—Wallace R. Burke



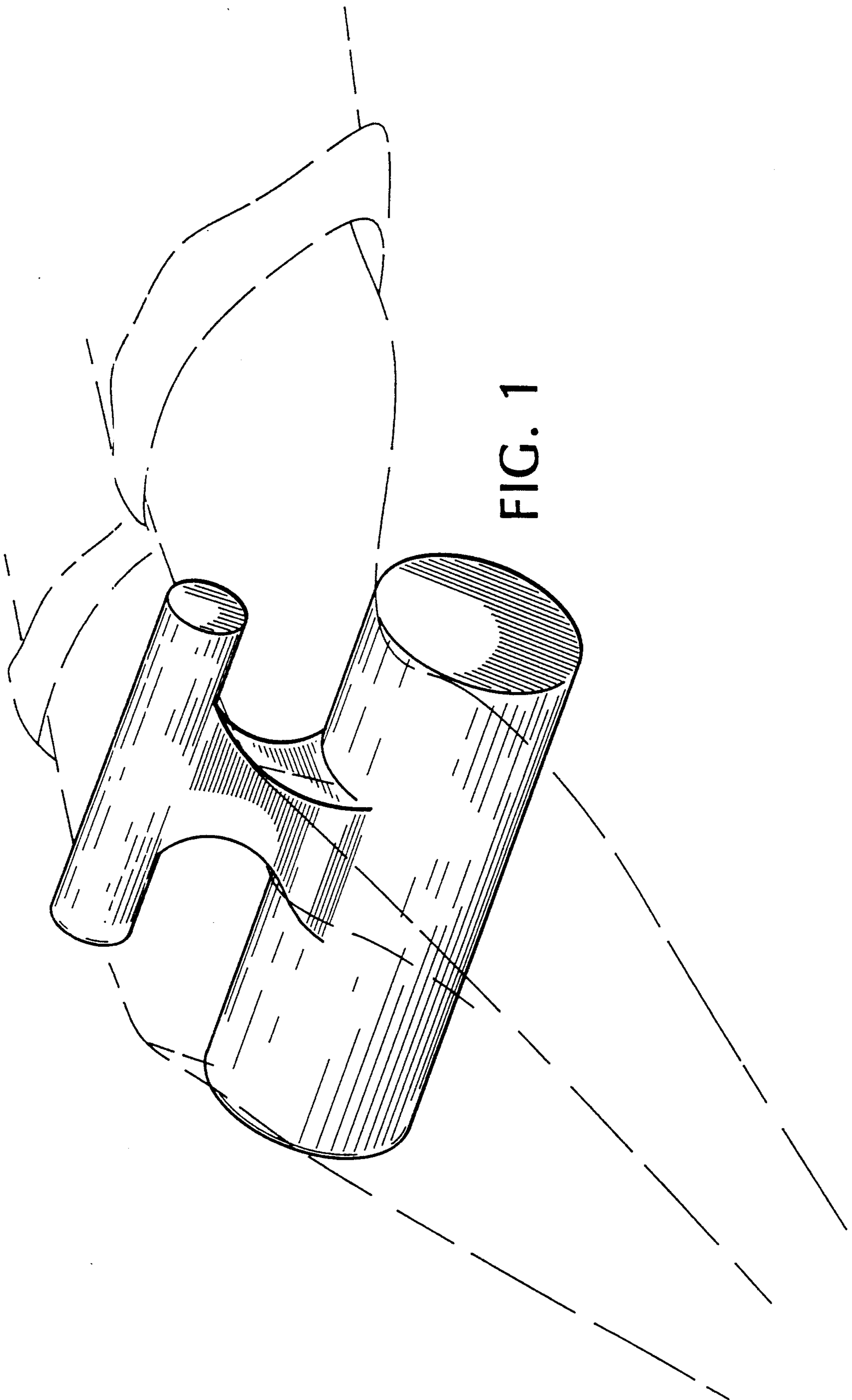


FIG. 1

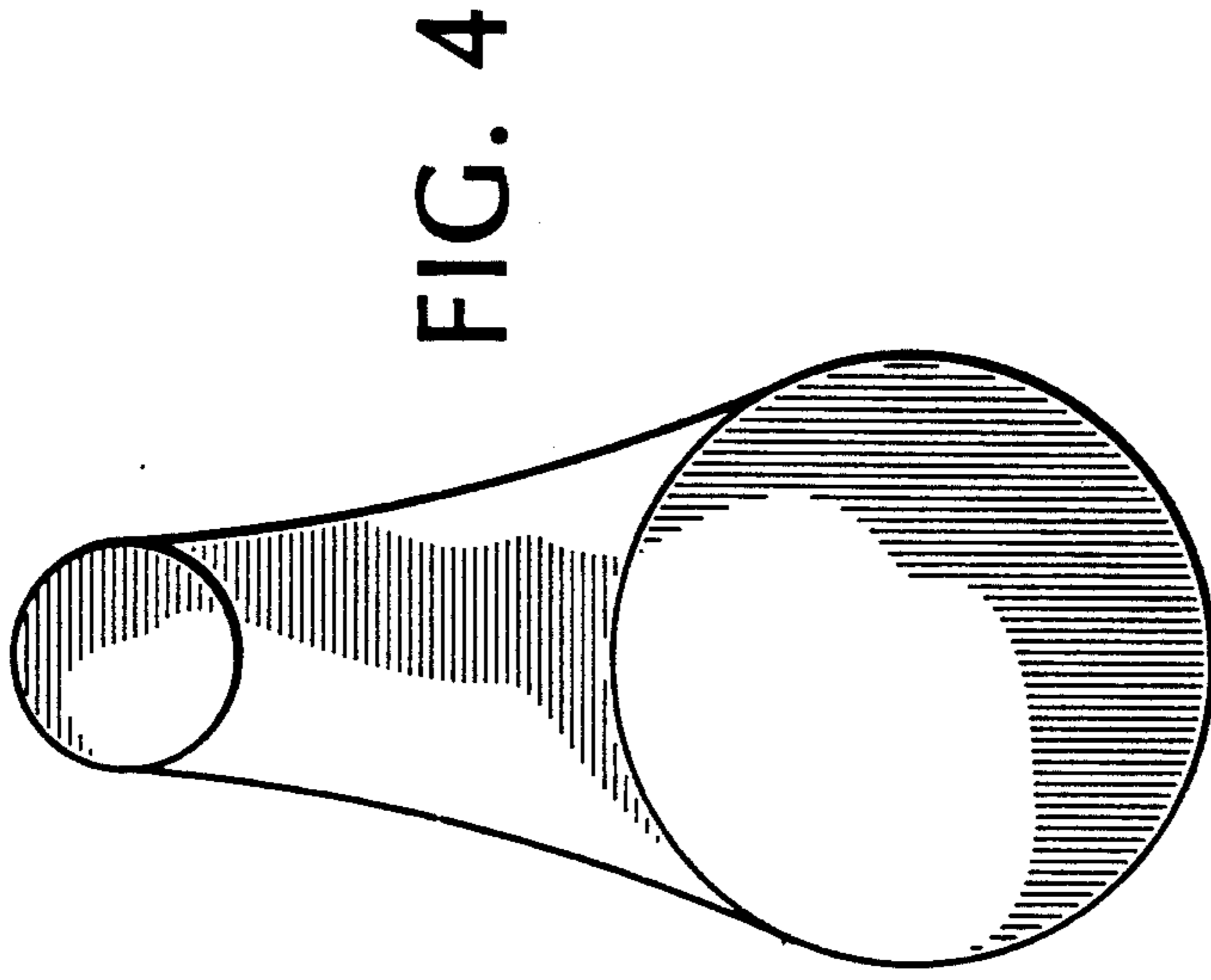


FIG. 4

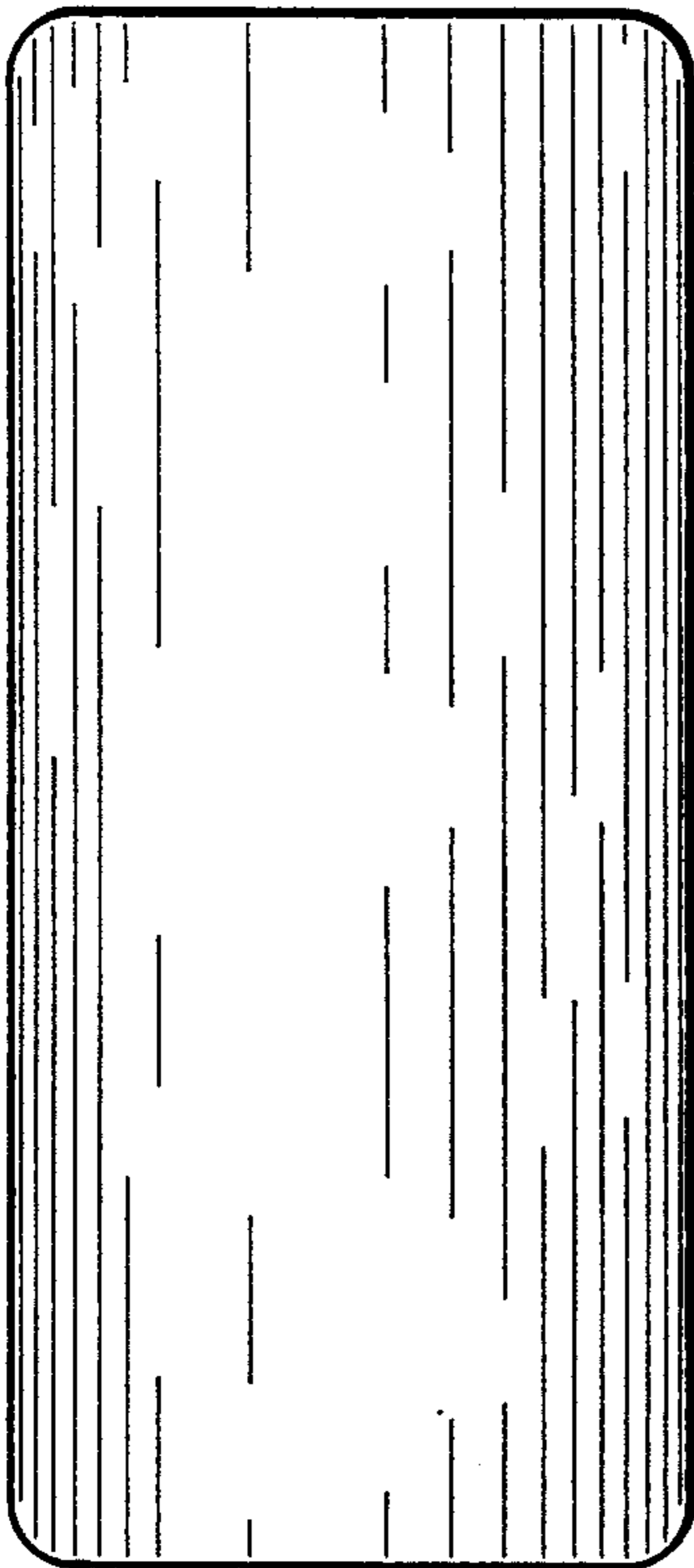


FIG. 2

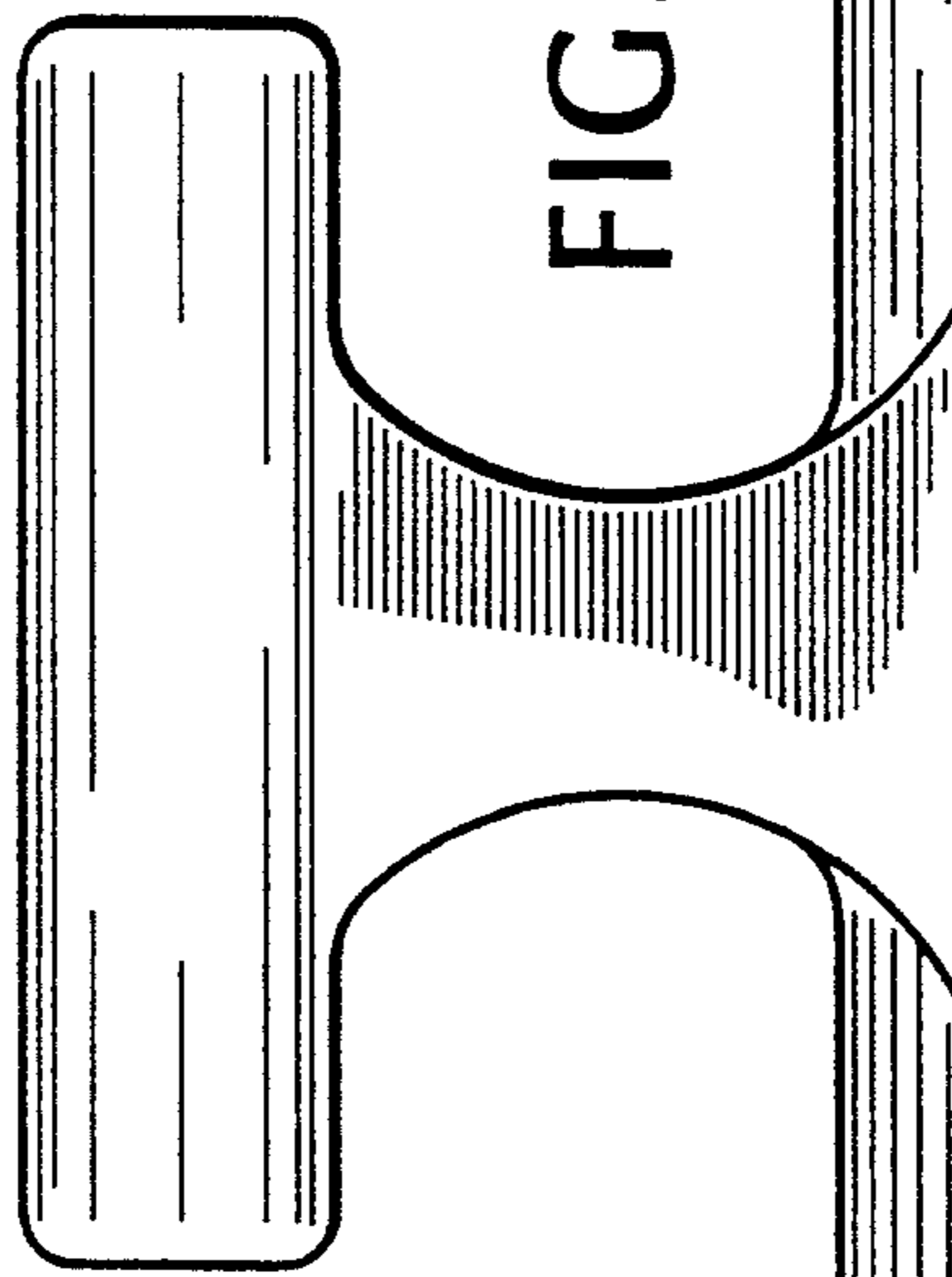


FIG. 3

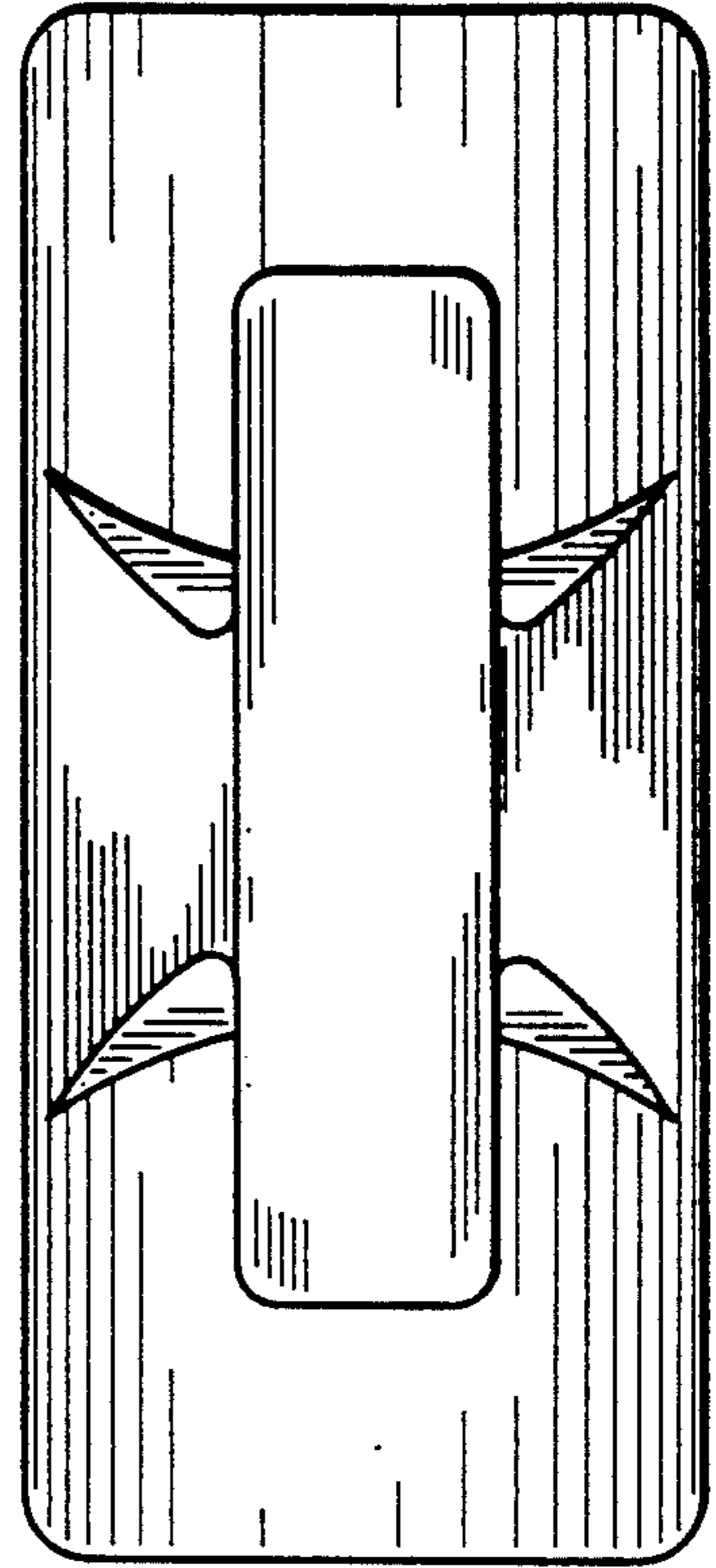


FIG. 5