



US00D345665S

United States Patent [19]

[11] Patent Number: **Des. 345,665**

Luther

[45] Date of Patent: **** Apr. 5, 1994**

[54] **RACK FOR STORING, SINGULARIZING AND TEEING GOLF BALLS**

5,222,597 6/1993 Bluthardt et al. 211/14 X

[75] Inventor: **Stephen J. Luther, Sacramento, Calif.**

Primary Examiner—Brian N. Vinson

[73] Assignee: **Mark L. Tange, Magalia, Calif.**

[57] **CLAIM**

[**] Term: **14 Years**

The ornamental design for a rack for storing, singularizing and teeing golf balls, as shown and described.

[21] Appl. No.: **887,255**

DESCRIPTION

[22] Filed: **May 22, 1992**

FIG. 1 is a right front perspective view of a rack for storing, singularizing and teeing golf balls, showing my new design;

[52] U.S. Cl. **D6/552; D6/515; D21/234**

FIG. 2 is a left front perspective view thereof, showing the pivoted track arm in lowered position;

[58] **Field of Search** **D6/512, 515, 552; 206/315.1, 315.9, 503; 211/13-14, 49.1; 221/282, 285; 312/349, 350; D21/223, 234**

FIG. 3 is a front elevational view thereof;

FIG. 4 is a rear elevational view thereof;

FIG. 5 is an elevational view of the left side thereof;

FIG. 6 is an elevational view of the right side thereof;

FIG. 7 is a top plan view thereof; and,

FIG. 8 is a bottom plan view thereof.

[56] **References Cited**

U.S. PATENT DOCUMENTS

- D. 277,147 1/1985 Shellman, Jr. D6/515
- 2,709,027 5/1955 Kozub 211/14 X
- 2,756,901 7/1956 Cowsert 211/14 X

The showing of a golf ball and a fixed golf tee in broken line in FIGS. 2 and 3 are for environmental purposes only and form no part of the design.

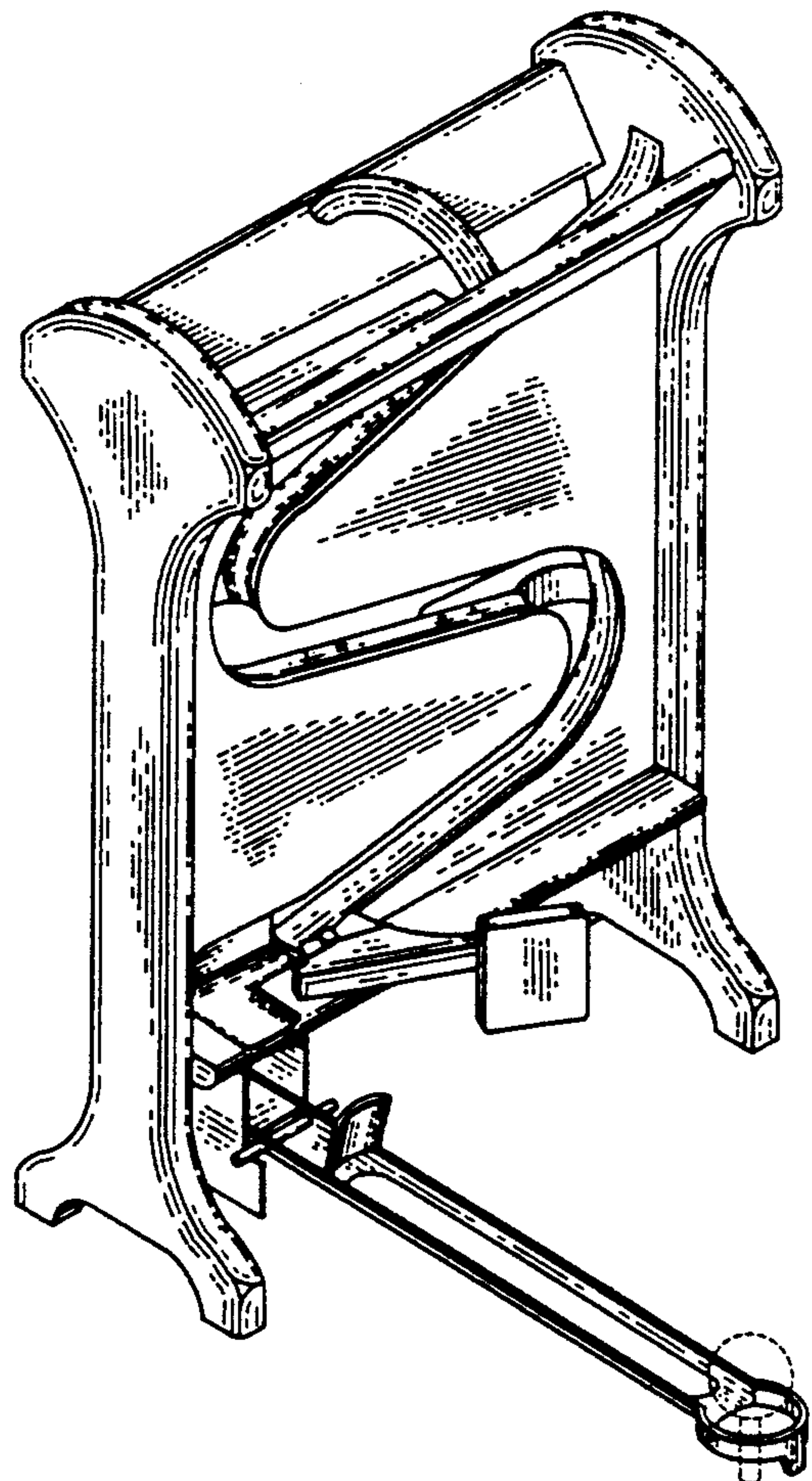
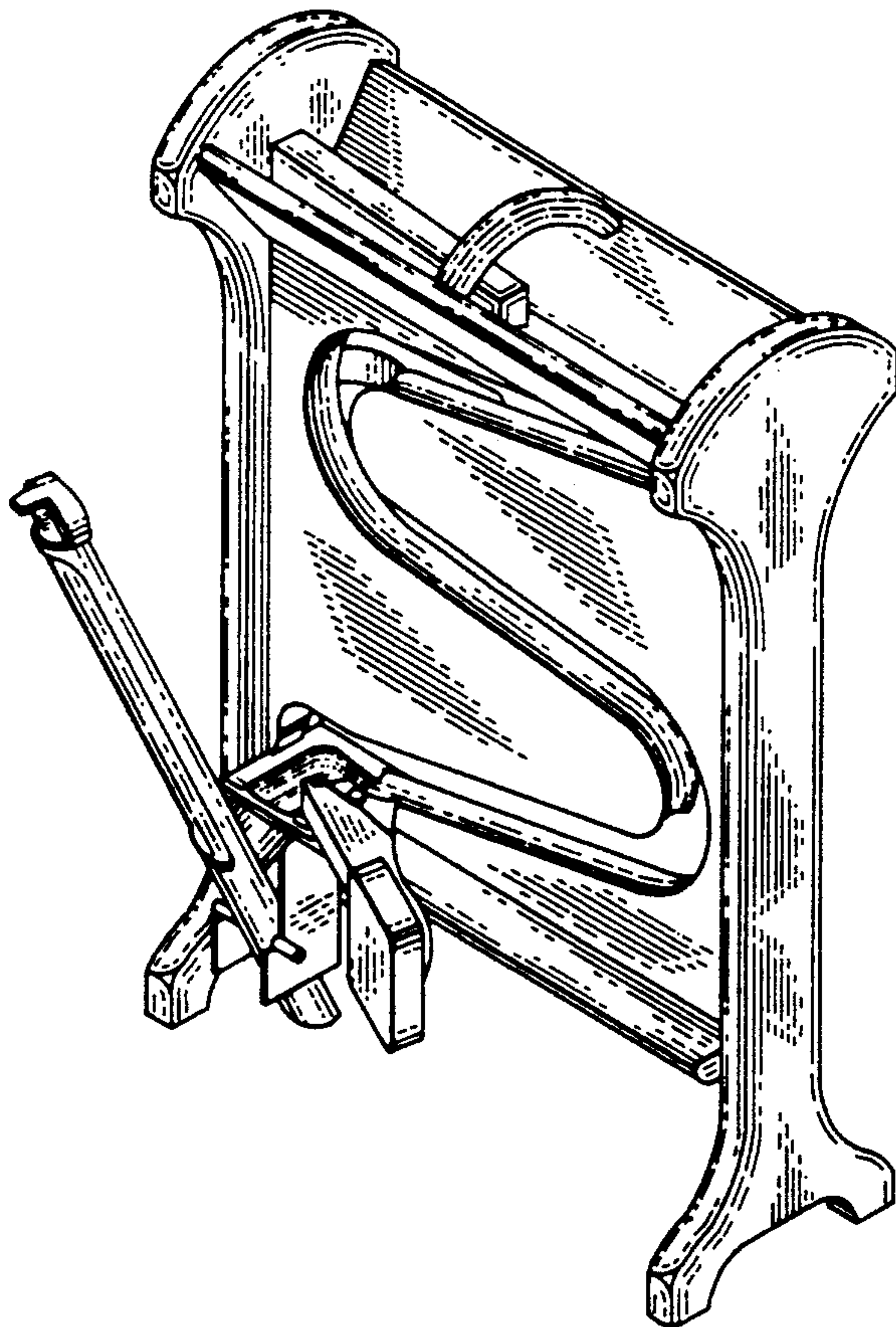


FIG. 1

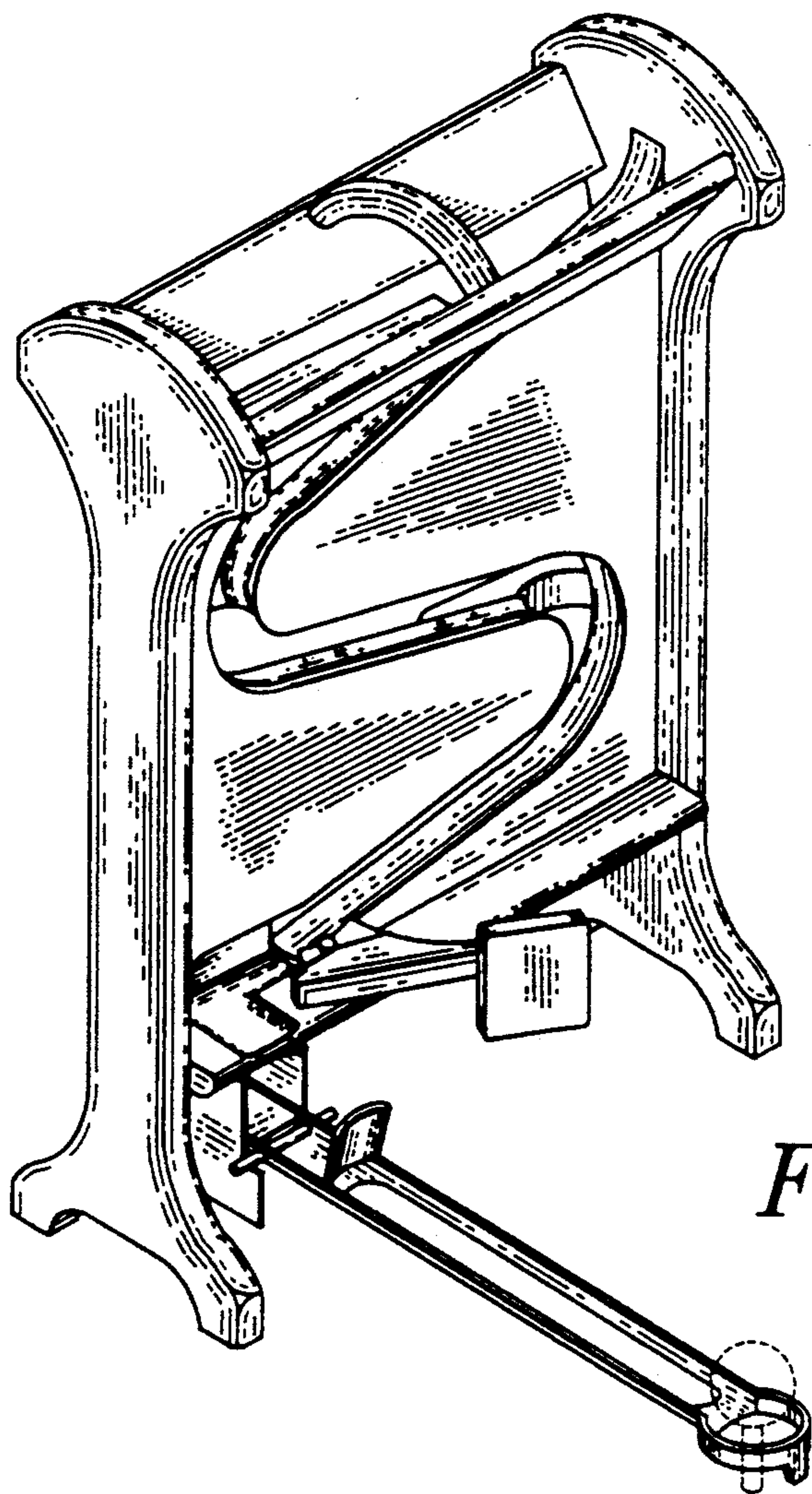
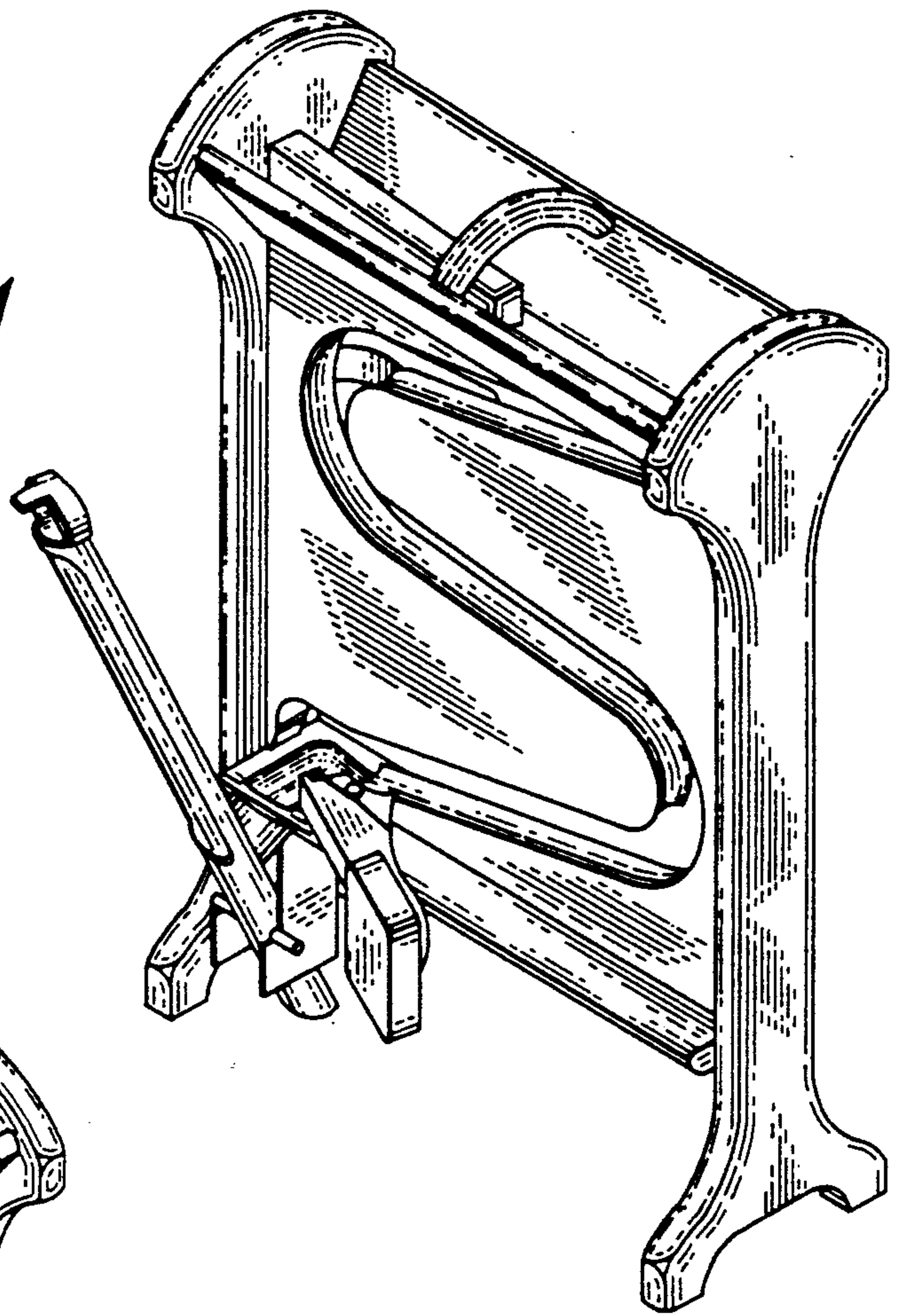


FIG. 2

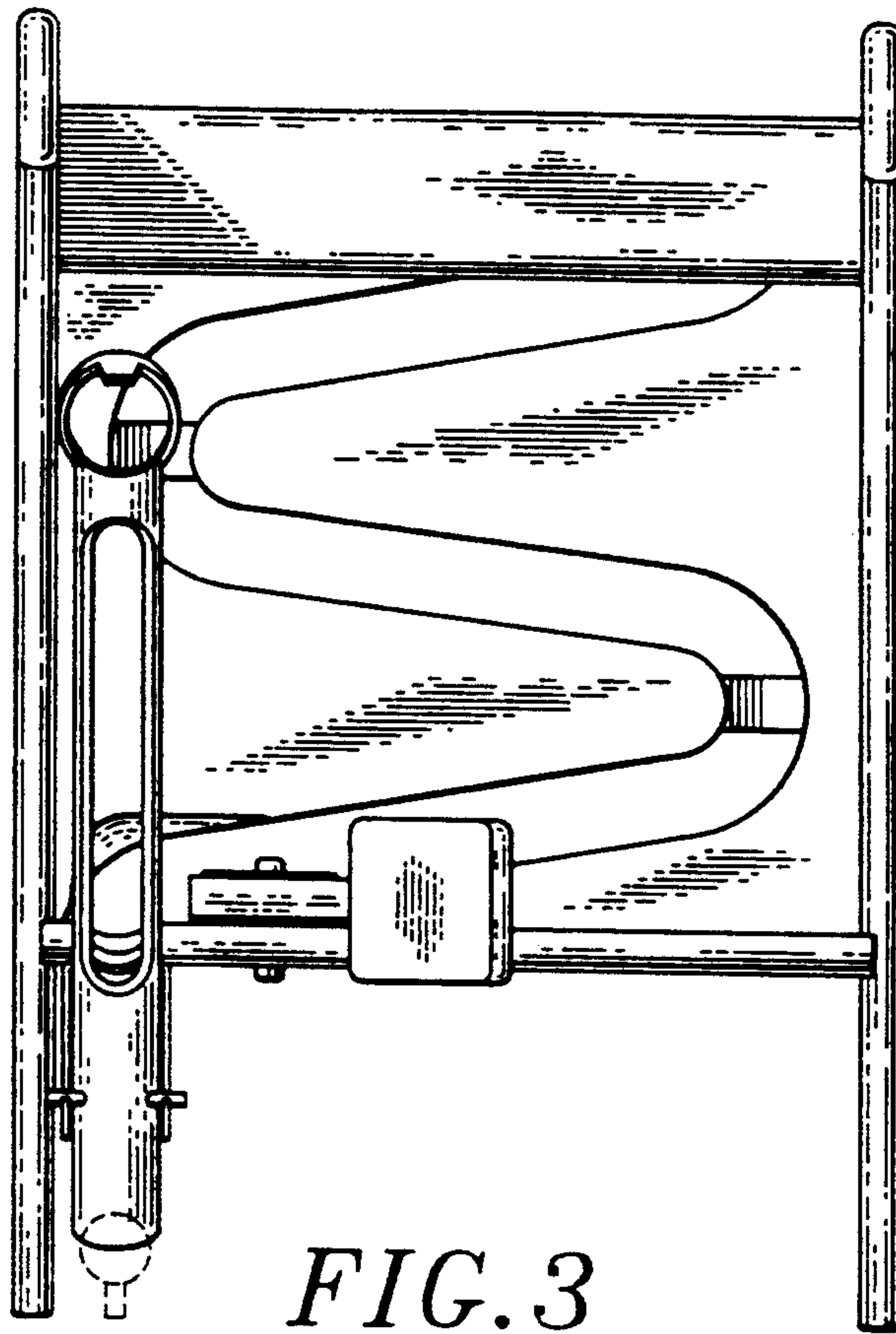


FIG. 3

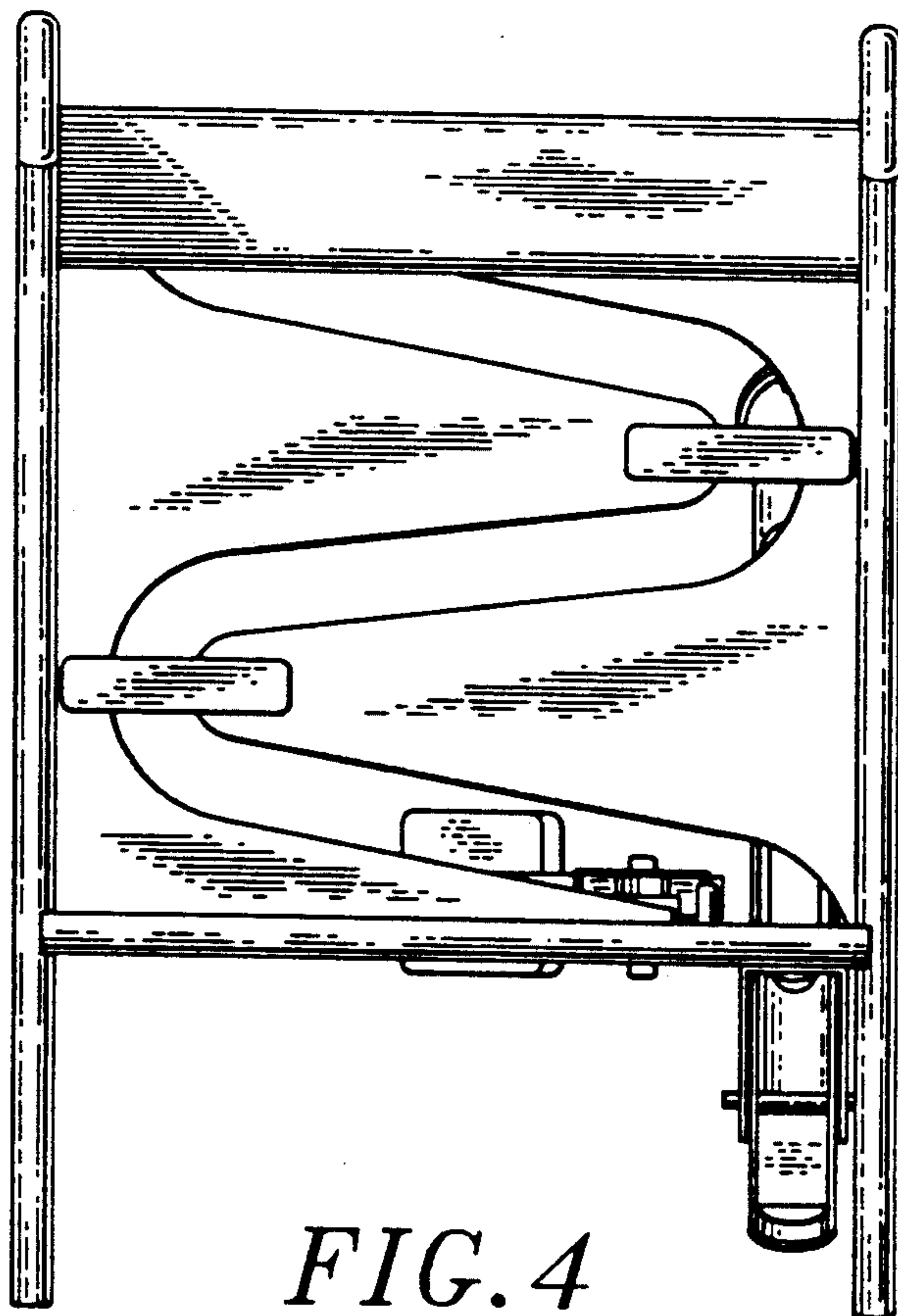


FIG. 4

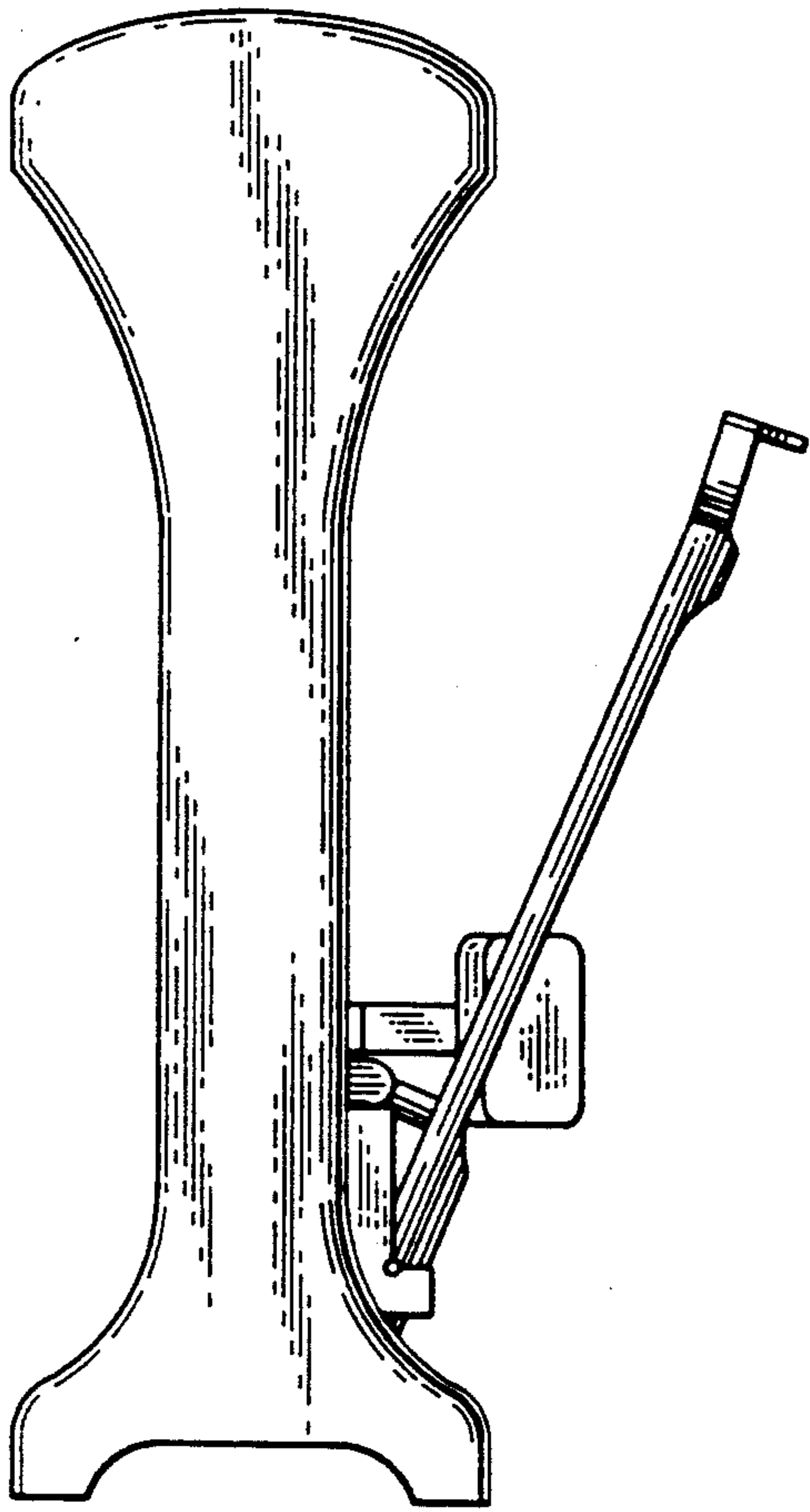


FIG. 5

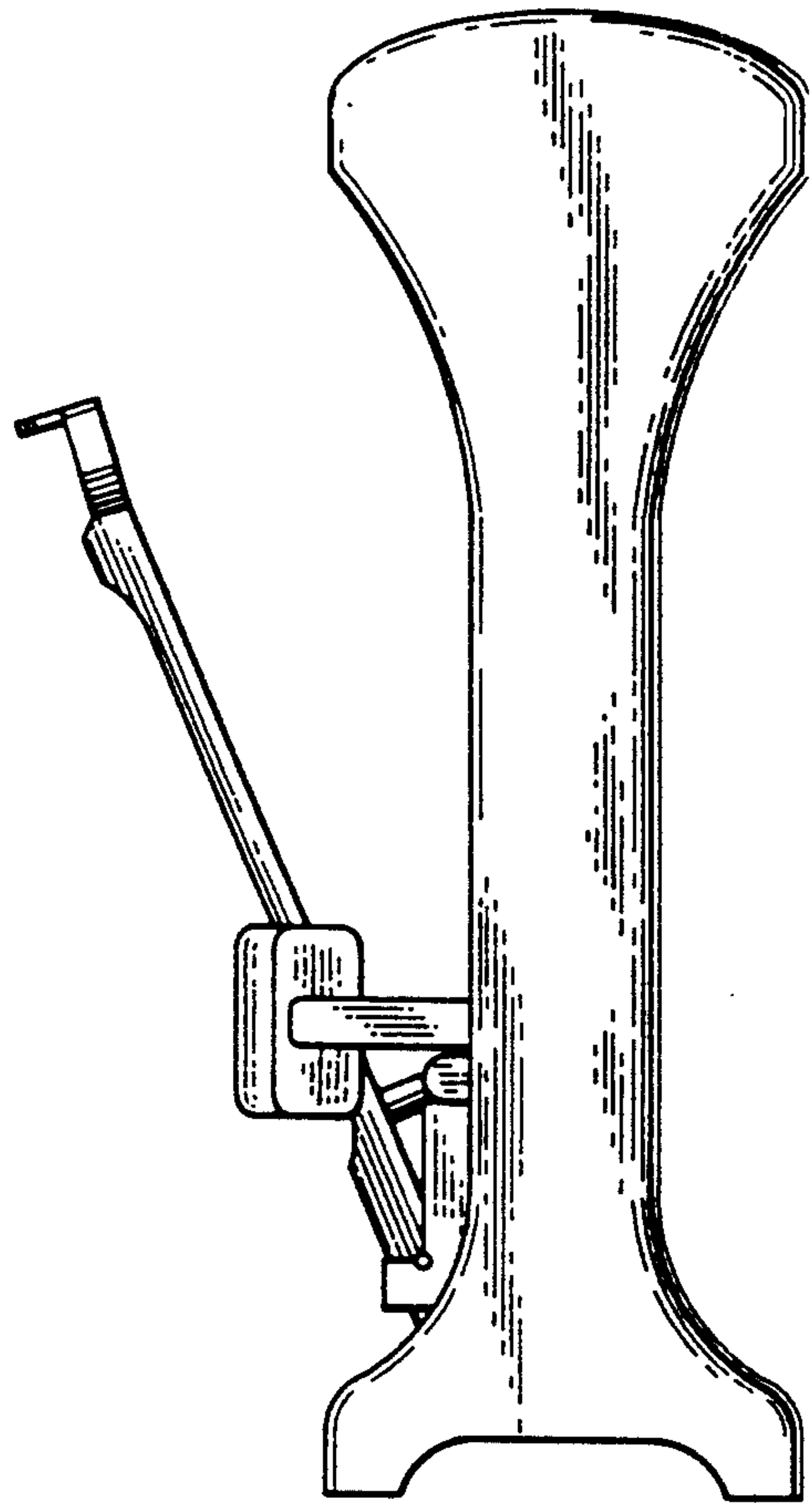


FIG. 6

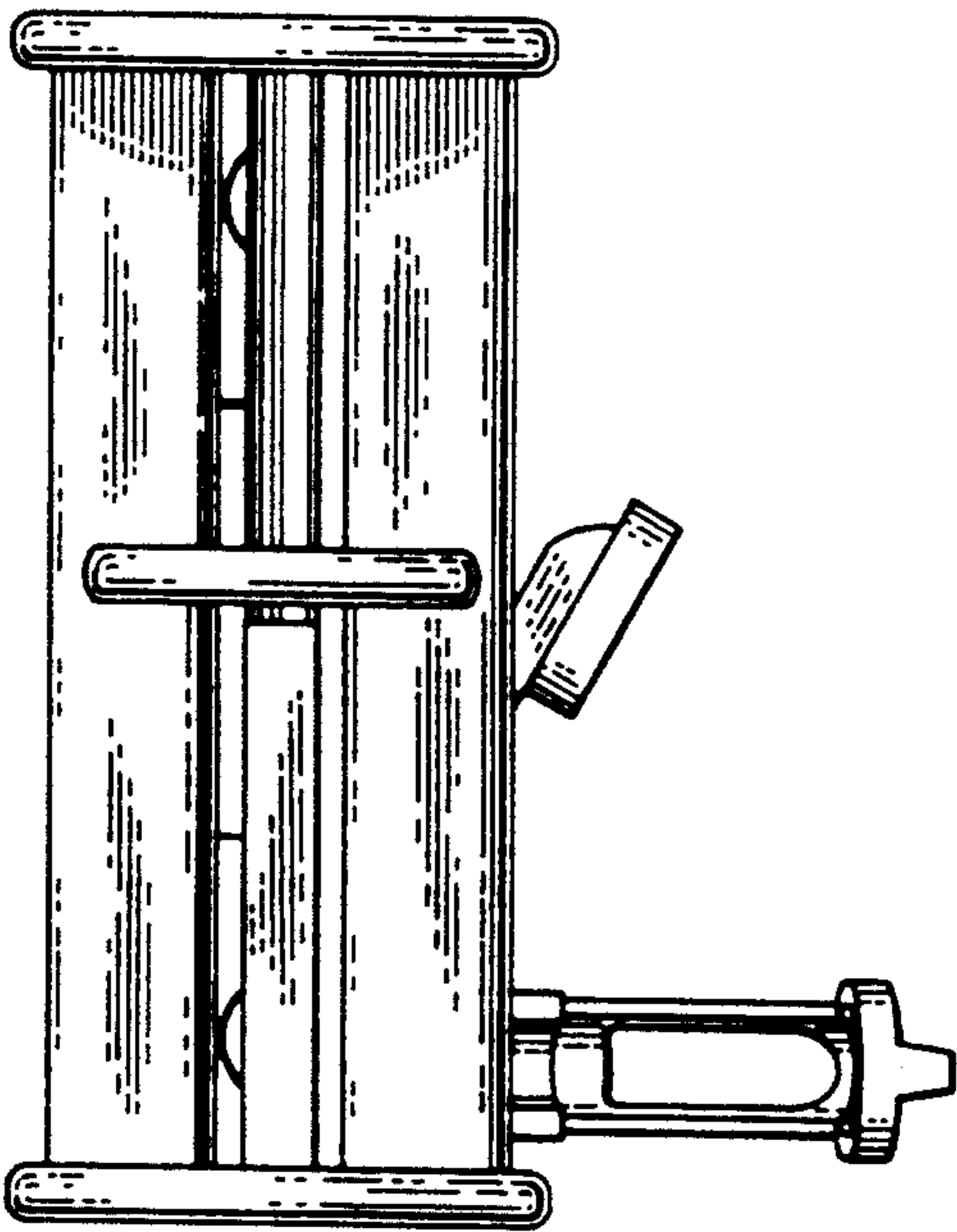


FIG. 7

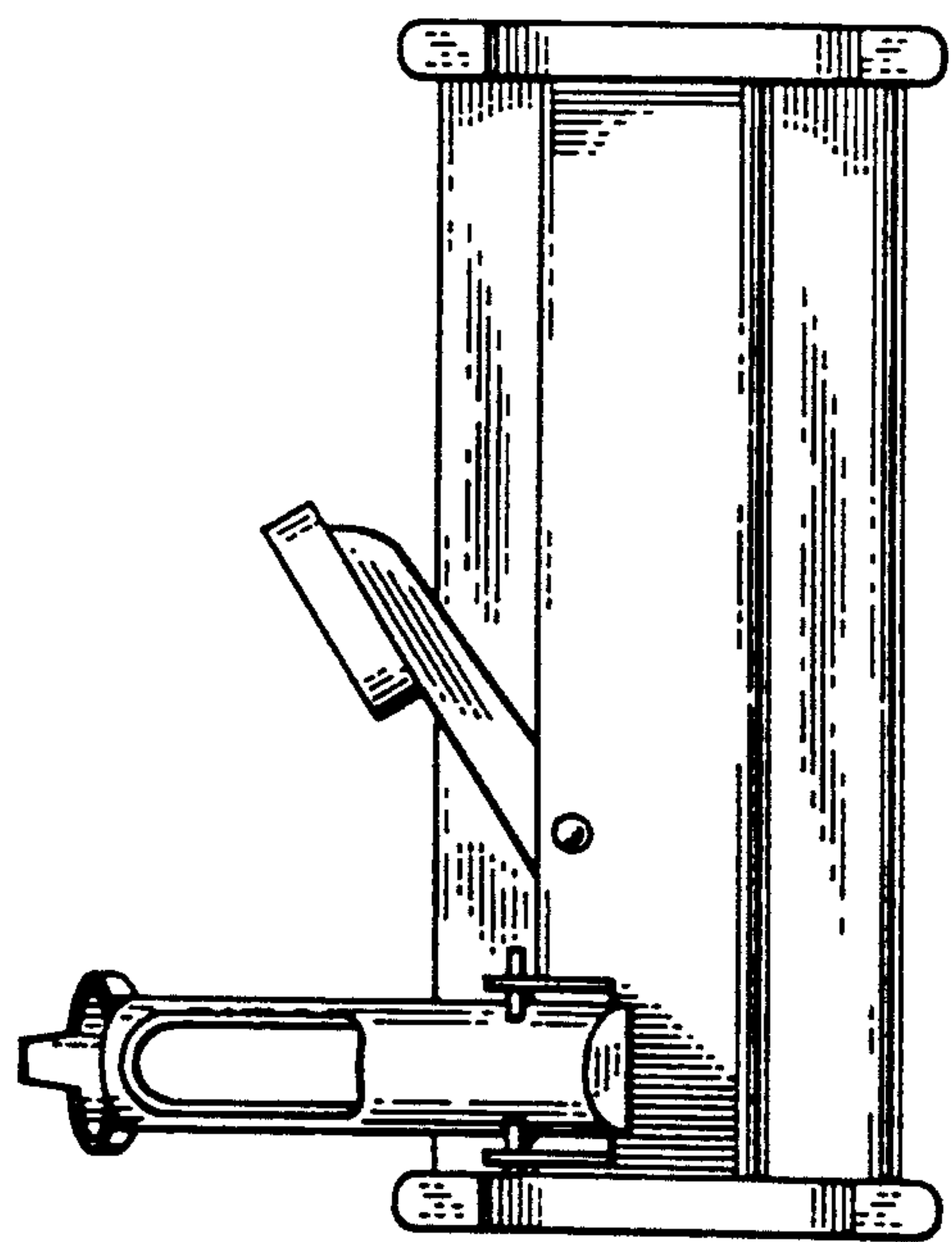


FIG. 8