



US00D345651S

United States Patent [19]

[11] Patent Number: **Des. 345,651**

Copp

[45] Date of Patent: **** Apr. 5, 1994**

[54] **BAG**
 [75] Inventor: **Neil B. Copp**, Ham, England
 [73] Assignee: **Targus Group plc**, London, England
 [**] Term: **14 Years**
 [21] Appl. No.: **883,612**
 [22] Filed: **May 14, 1992**

5,160,001 11/1992 Marceau 190/111 X

Primary Examiner—Melvin B. Feifer
Assistant Examiner—Paula Mortimer
Attorney, Agent, or Firm—Robert W. J. Usher

[30] Foreign Application Priority Data

Nov. 14, 1991 [GB] United Kingdom 2019032
 [52] U.S. Cl. **D3/285; D3/289**
 [58] Field of Search **D3/76, 77, 78, 30.1, D3/71, 74, 42, 40, 41; 224/42.11; 190/110-119, 902; 150/154**

[57] CLAIM

The ornamental design for a bag, as shown and described.

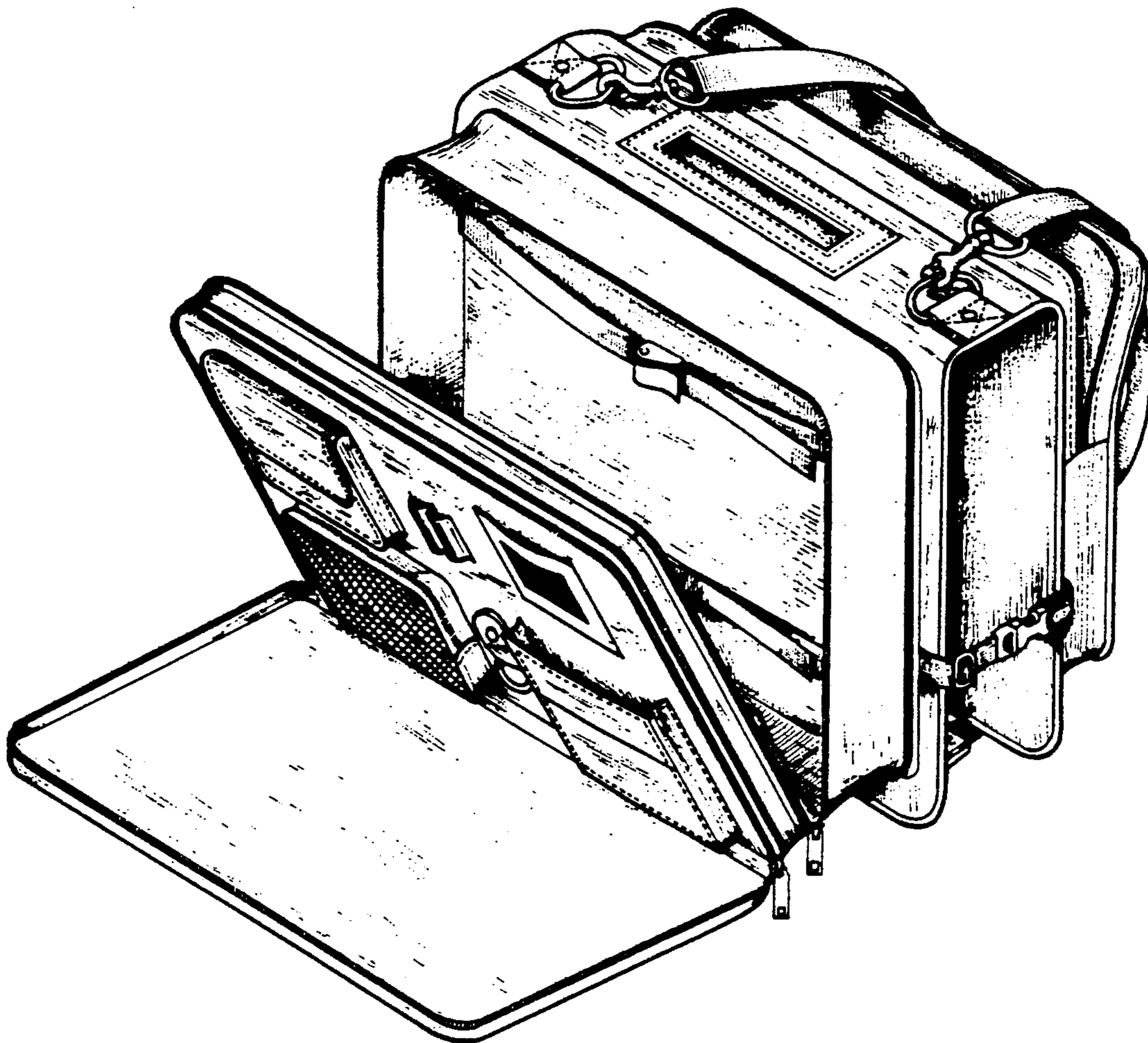
DESCRIPTION

FIG. 1 is a front perspective view of a bag showing my new design in an opened position;
 FIG. 2 is an end elevational view thereof in a closed position the opposite end is a mirror image;
 FIG. 3 is a side elevational view thereof with a pocket in an opened position;
 FIG. 4 is a top plan view thereof in an opened flat position;
 FIG. 5 is a front perspective view thereof with the inner pocket in an open position;
 FIG. 6 is a bottom plan view thereof in a closed position; and,
 FIG. 7 is a bottom plan view thereof in an opened flat position.

[56] References Cited

U.S. PATENT DOCUMENTS

D. 258,098 2/1981 Norinsky D3/71
 D. 275,819 10/1984 Leiserson D3/71 X
 D. 308,916 7/1990 Dinham D3/42 X
 2,493,182 1/1950 Beder D3/76 X
 4,061,259 12/1977 Hurst 190/115 X
 4,925,021 5/1990 Pulichino, Jr. 190/111 X



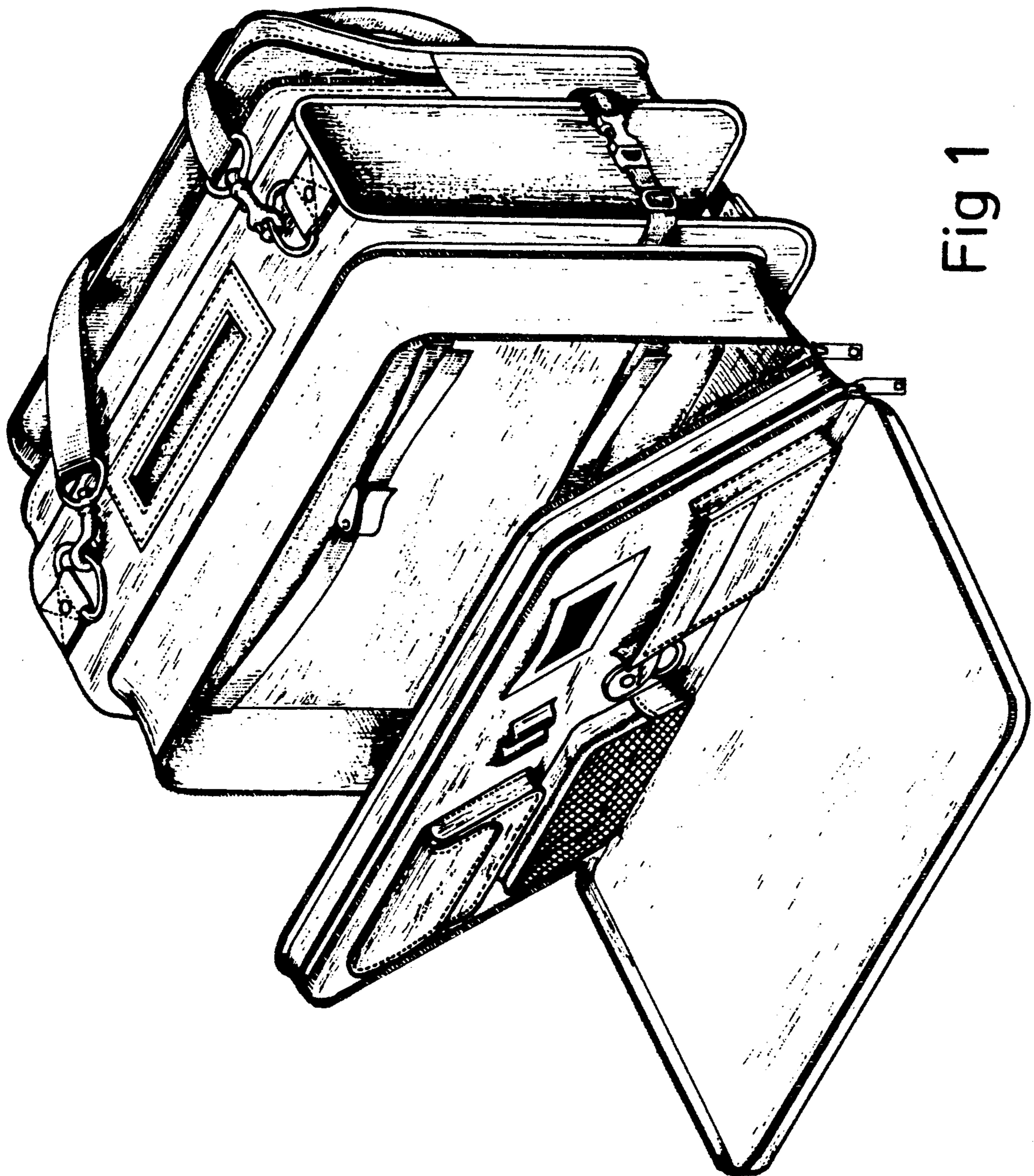


Fig 1

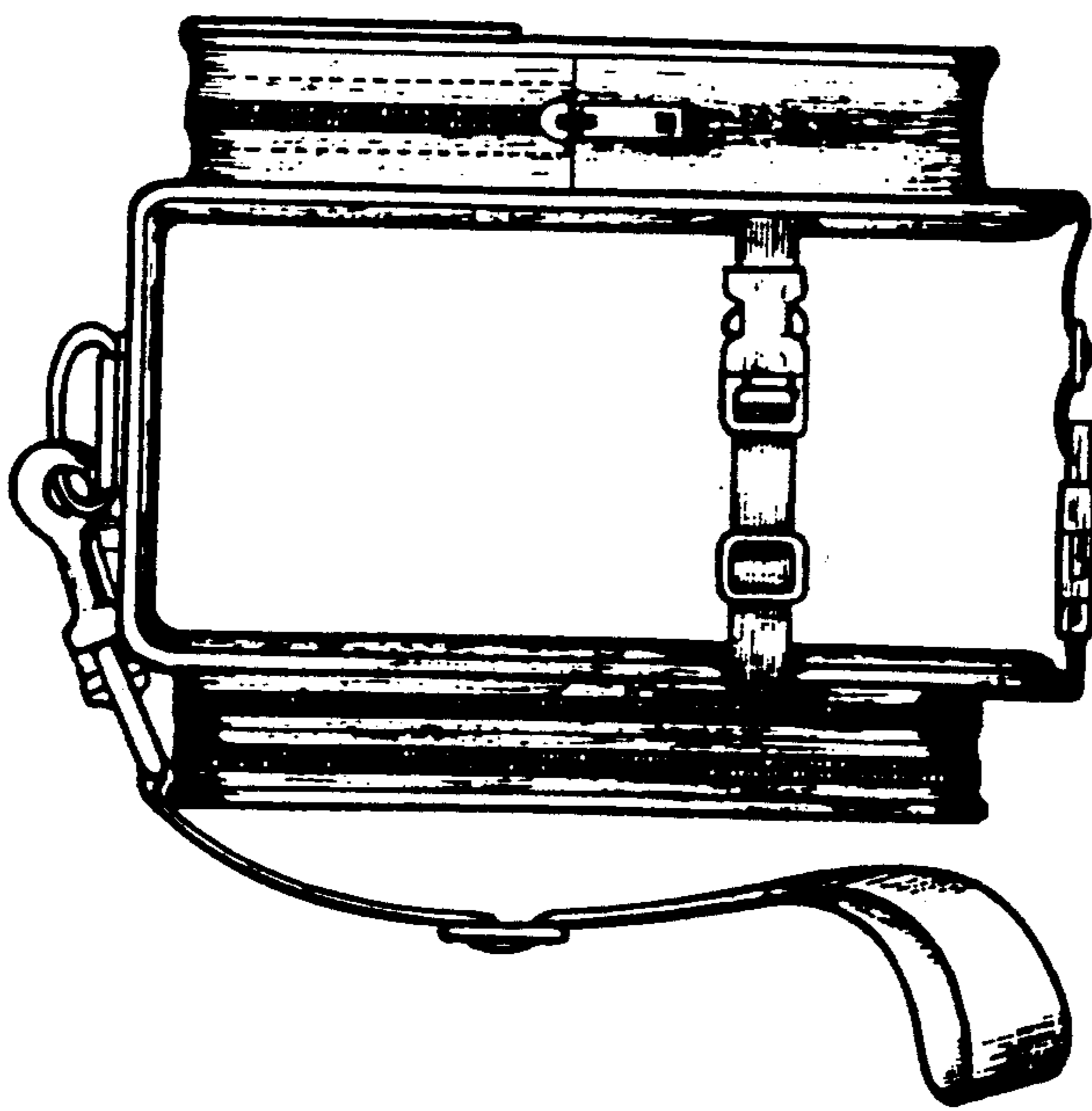


Fig 2

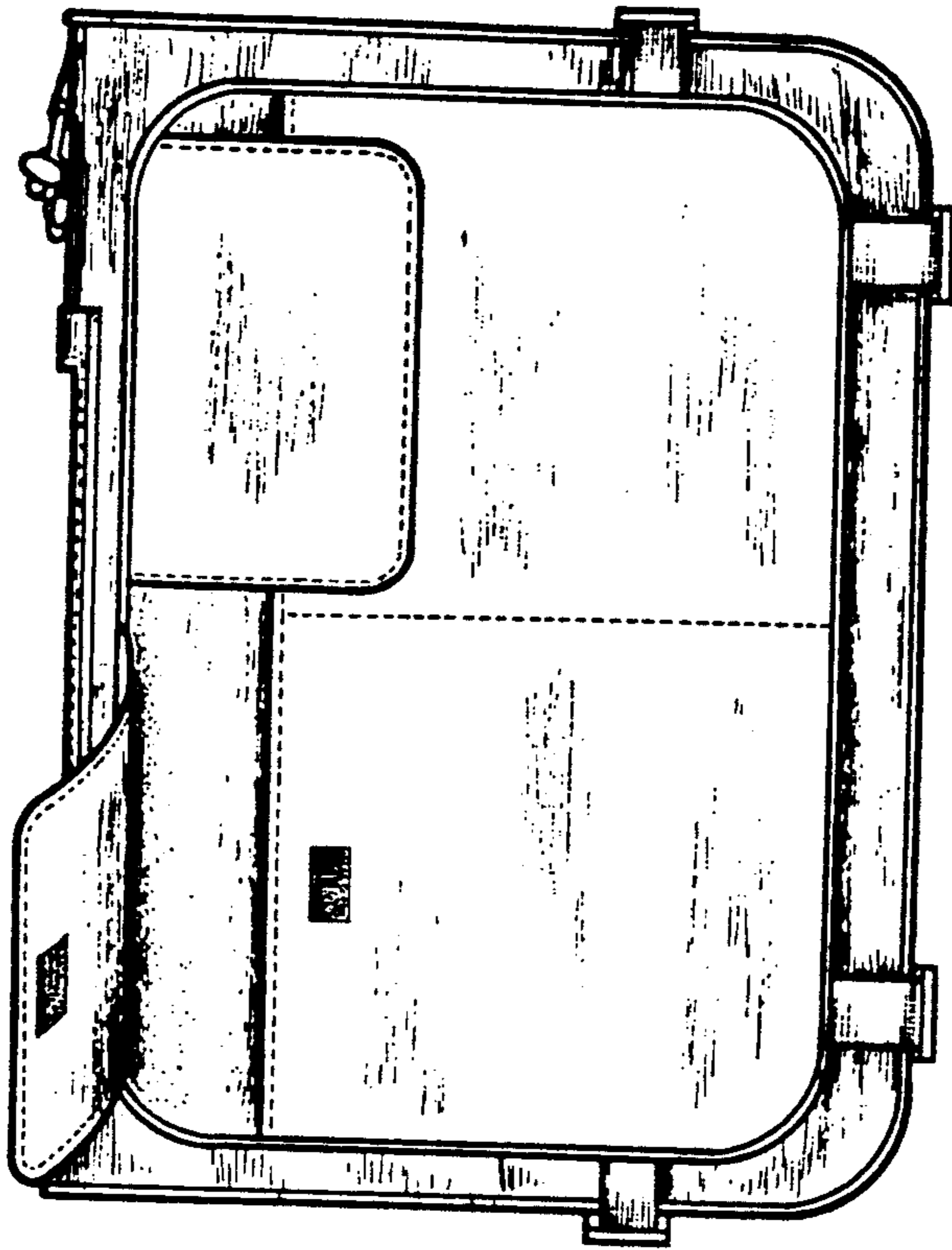


Fig 3

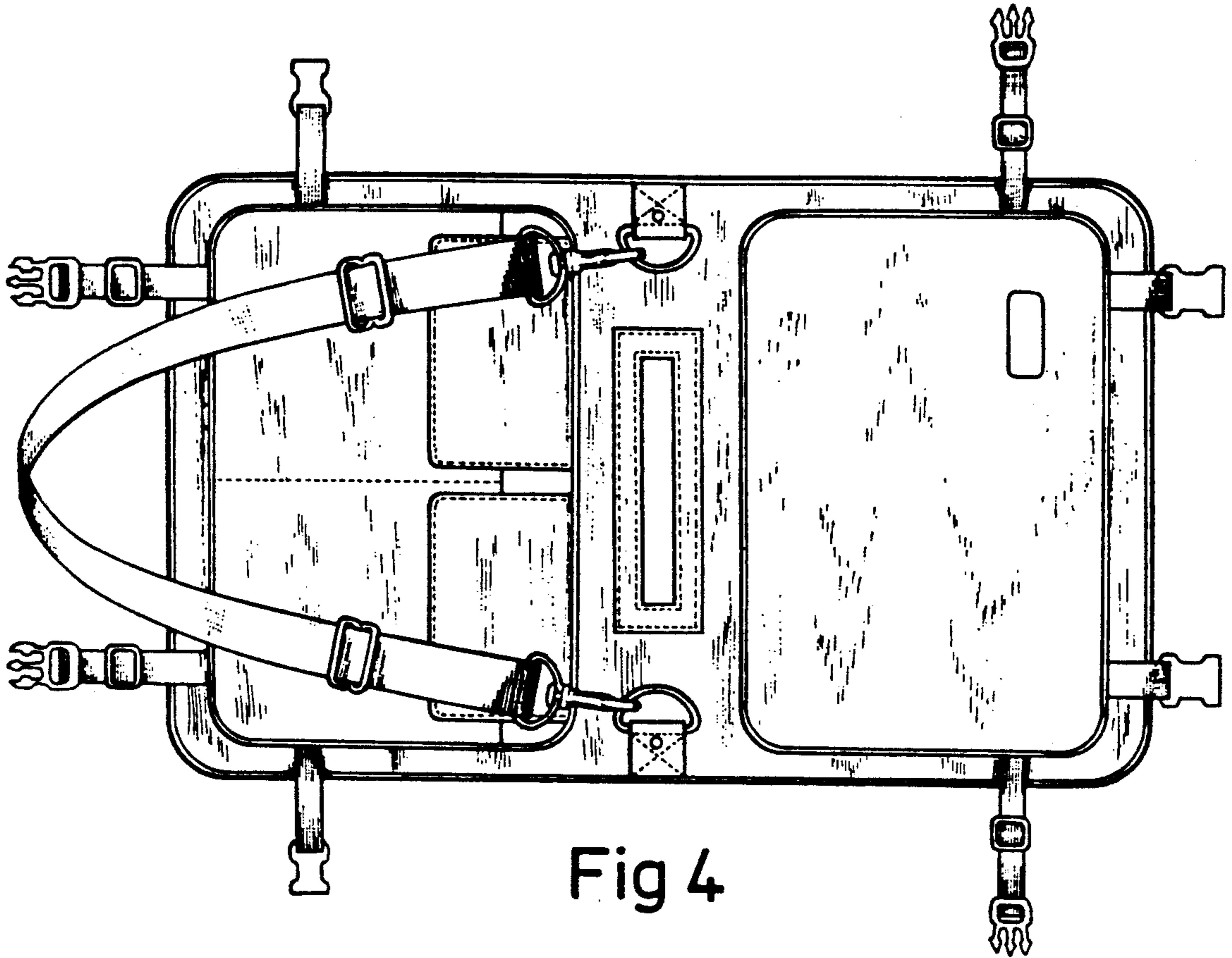


Fig 4

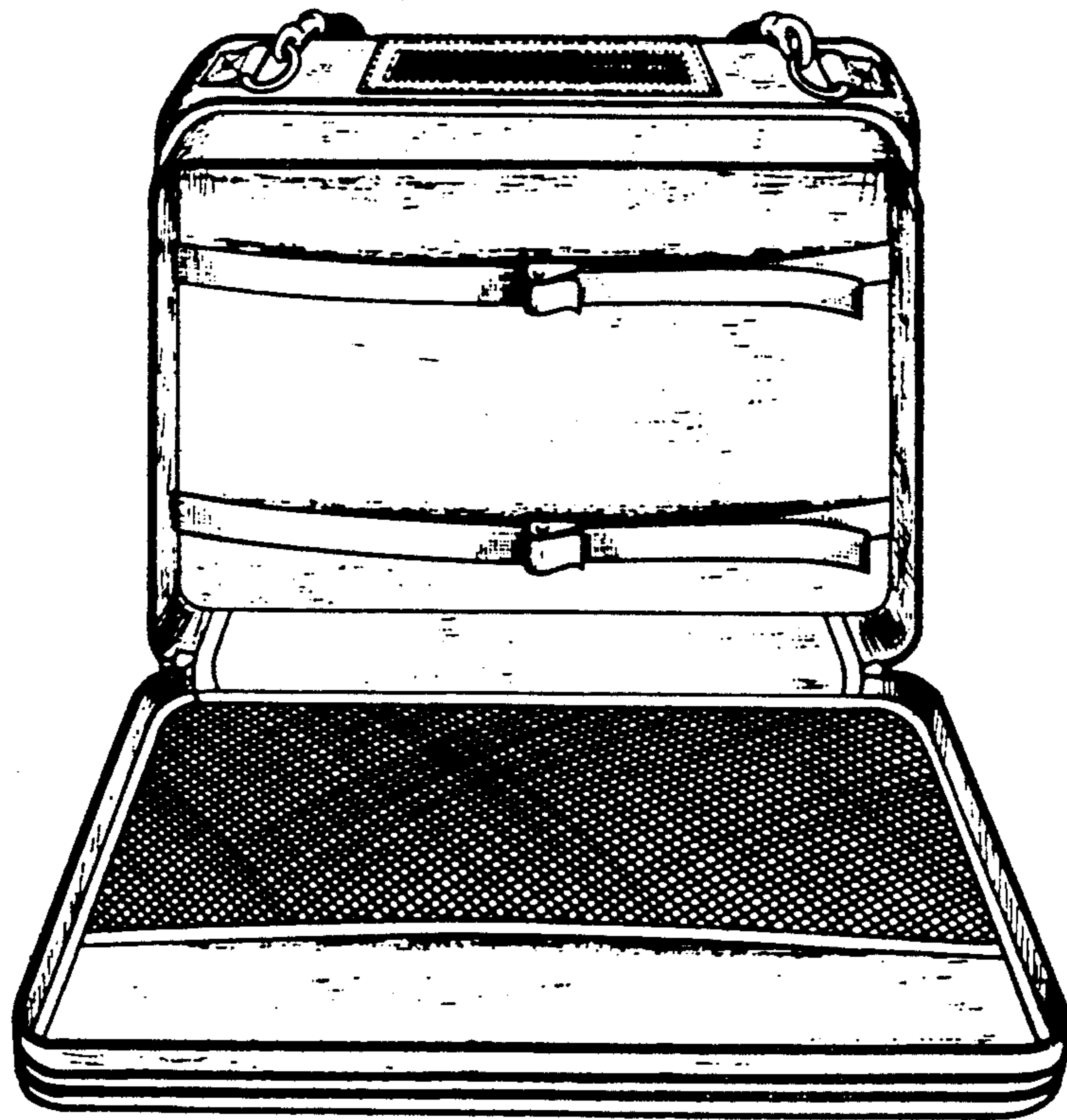


Fig 5

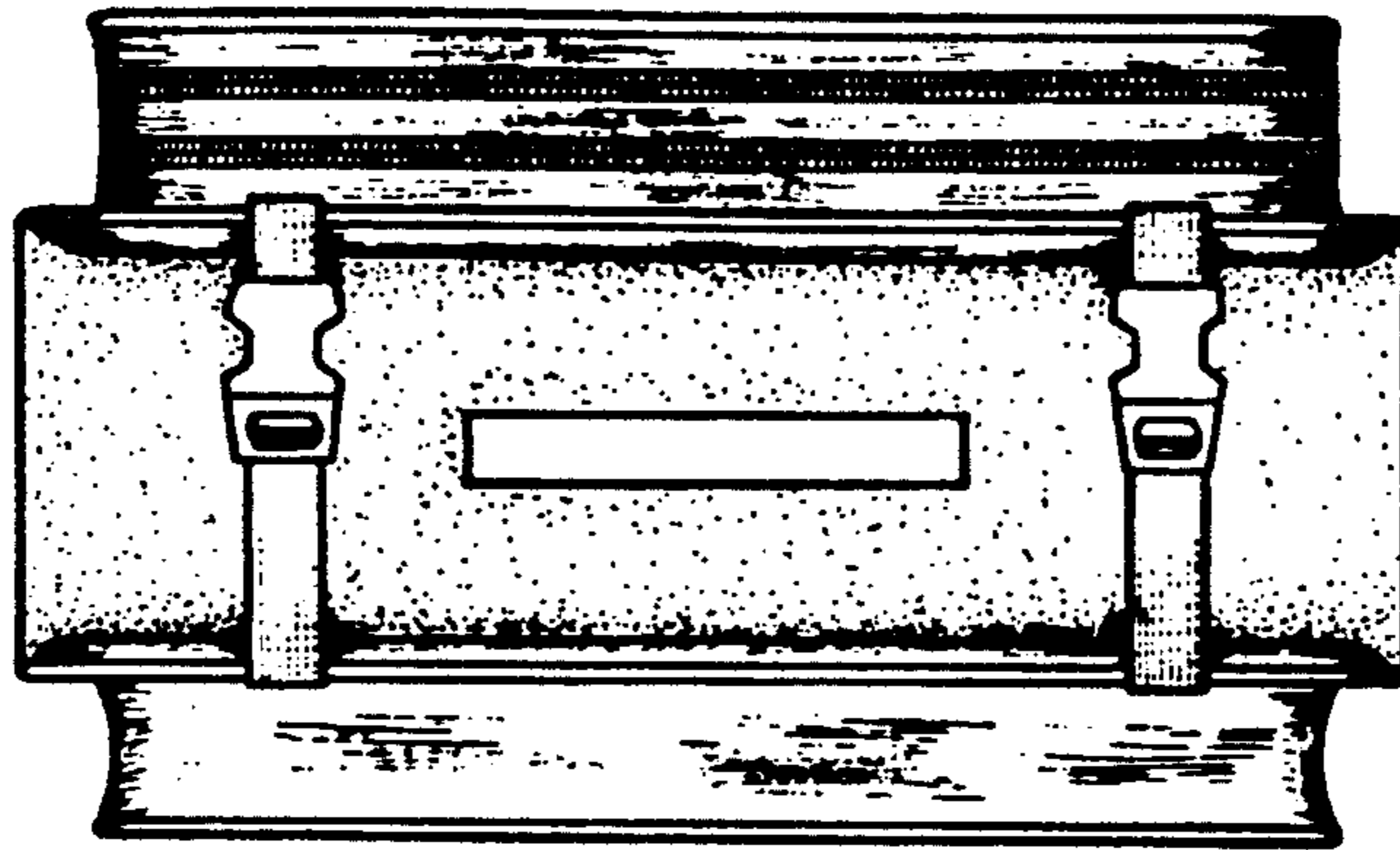


Fig 6

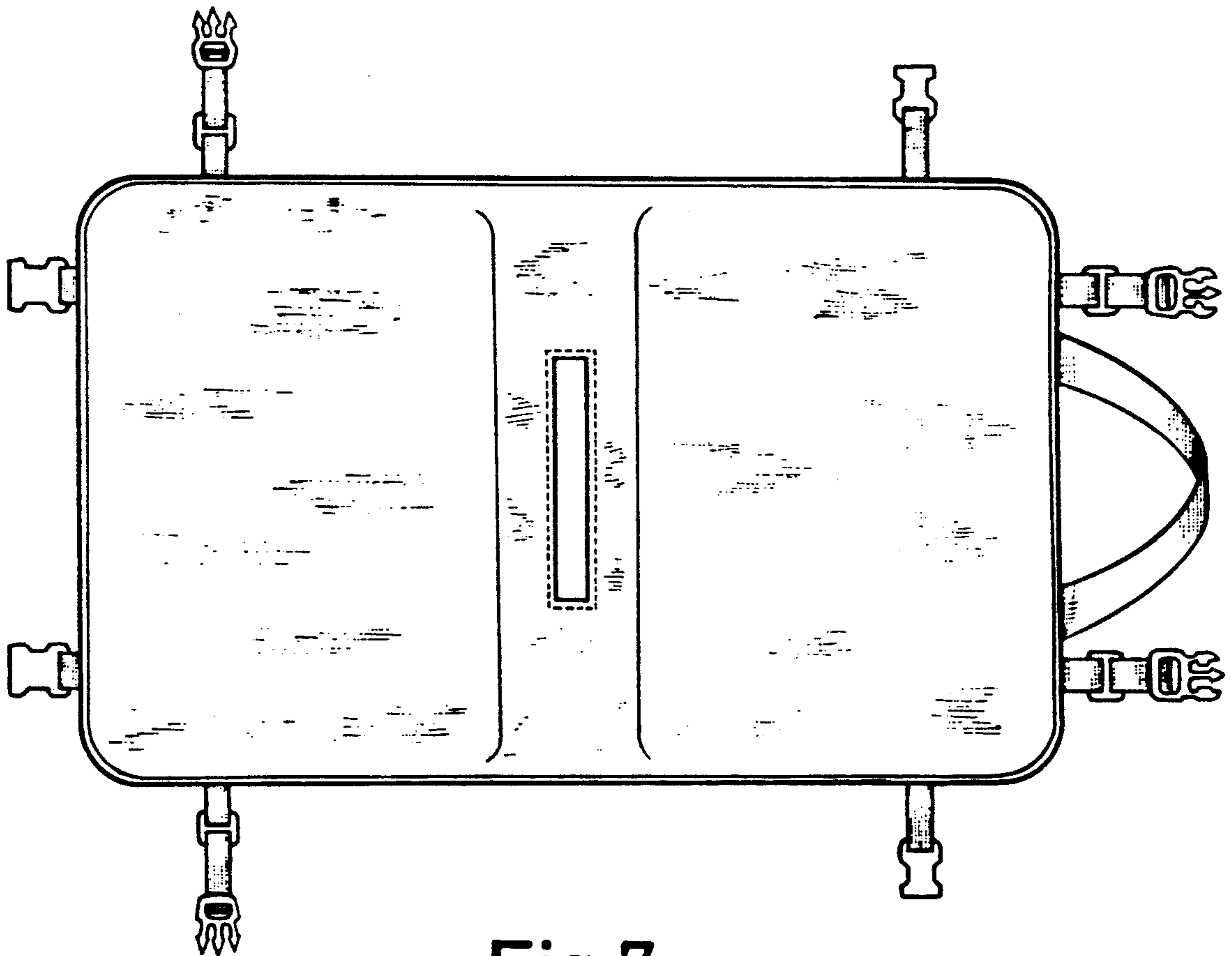


Fig 7