



US00D345642S

United States Patent [19]

Tucker et al.

[11] Patent Number: **Des. 345,642**

[45] Date of Patent: **** Mar. 29, 1994**

[54] **TRASH BAG SUPPORT**

[76] Inventors: **Kevin S. Tucker; Arthur R. Collard,**
both of 620 Pine St., Hurst, Tex.
76053

[**] Term: **14 Years**

[21] Appl. No.: **872,657**

[22] Filed: **Apr. 23, 1992**

[52] U.S. Cl. **D34/5; D34/10**

[58] Field of Search 248/95, 97, 98, 99,
248/100, 101; 220/908, 404; D9/434;
D34/1-11

[56] **References Cited**

U.S. PATENT DOCUMENTS

- D. 308,270 5/1990 Sarabia D34/5
- D. 334,448 3/1993 Fish D34/5
- 4,470,627 9/1984 Carroll et al. 248/101

4,832,292 5/1989 Beckham 248/99

Primary Examiner—Kay H. Chin
Attorney, Agent, or Firm—S. Michael Bender

[57] **CLAIM**

The ornamental design for a trash bag support, as shown and described.

DESCRIPTION

FIG. 1 is a front elevational view of the trash bag support showing my new design;
FIG. 2 is a rear elevational view thereof;
FIG. 3 is a left side elevational view thereof;
FIG. 4 is a right side elevational view thereof;
FIG. 5 is a top plan view thereof;
FIG. 6 is a bottom plan view thereof; and,
FIG. 7 is an exploded view thereof.

The broken line showing the bag in FIG. 7 is for illustrative purposes only and forms no part of the claimed design.

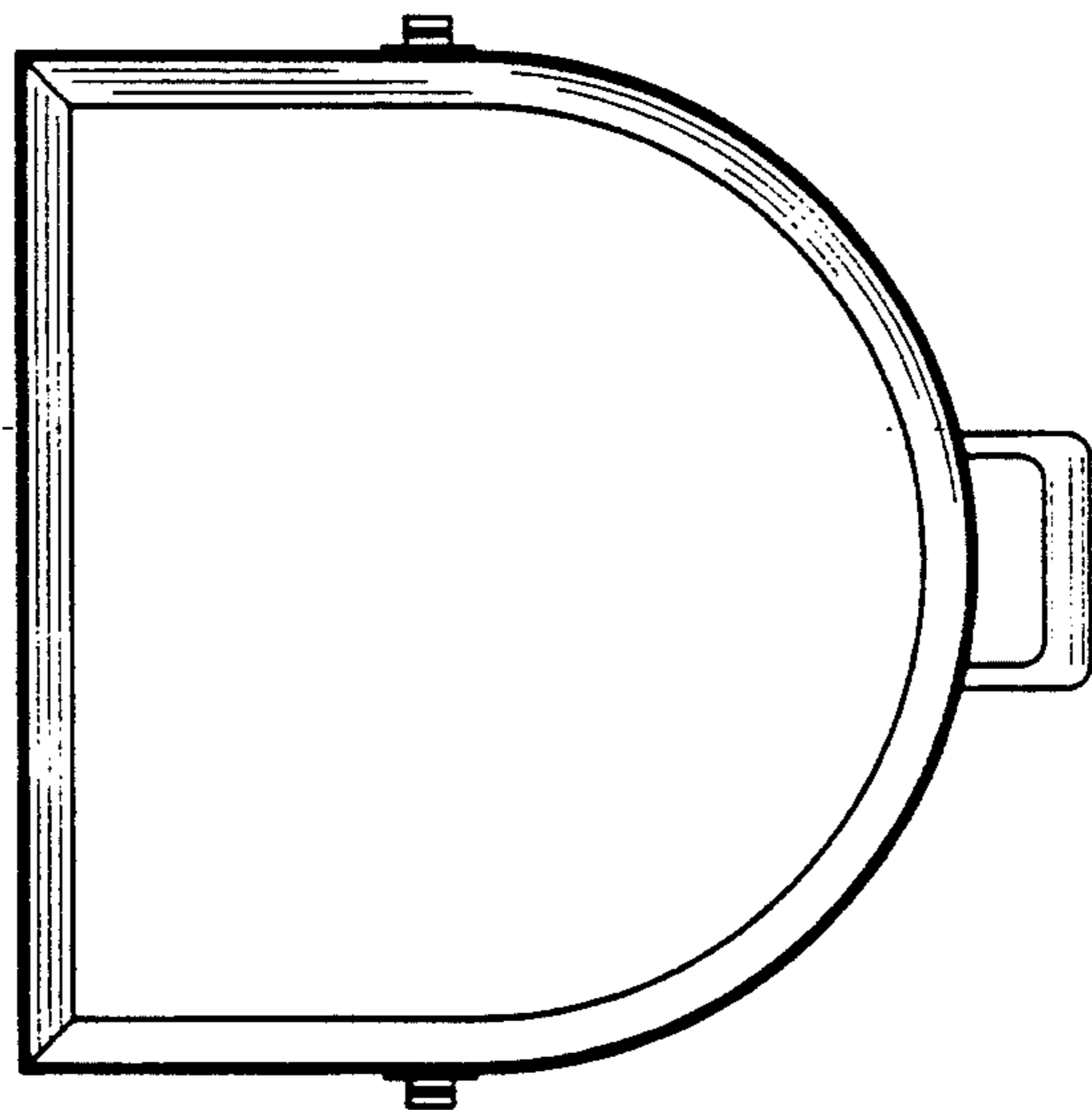
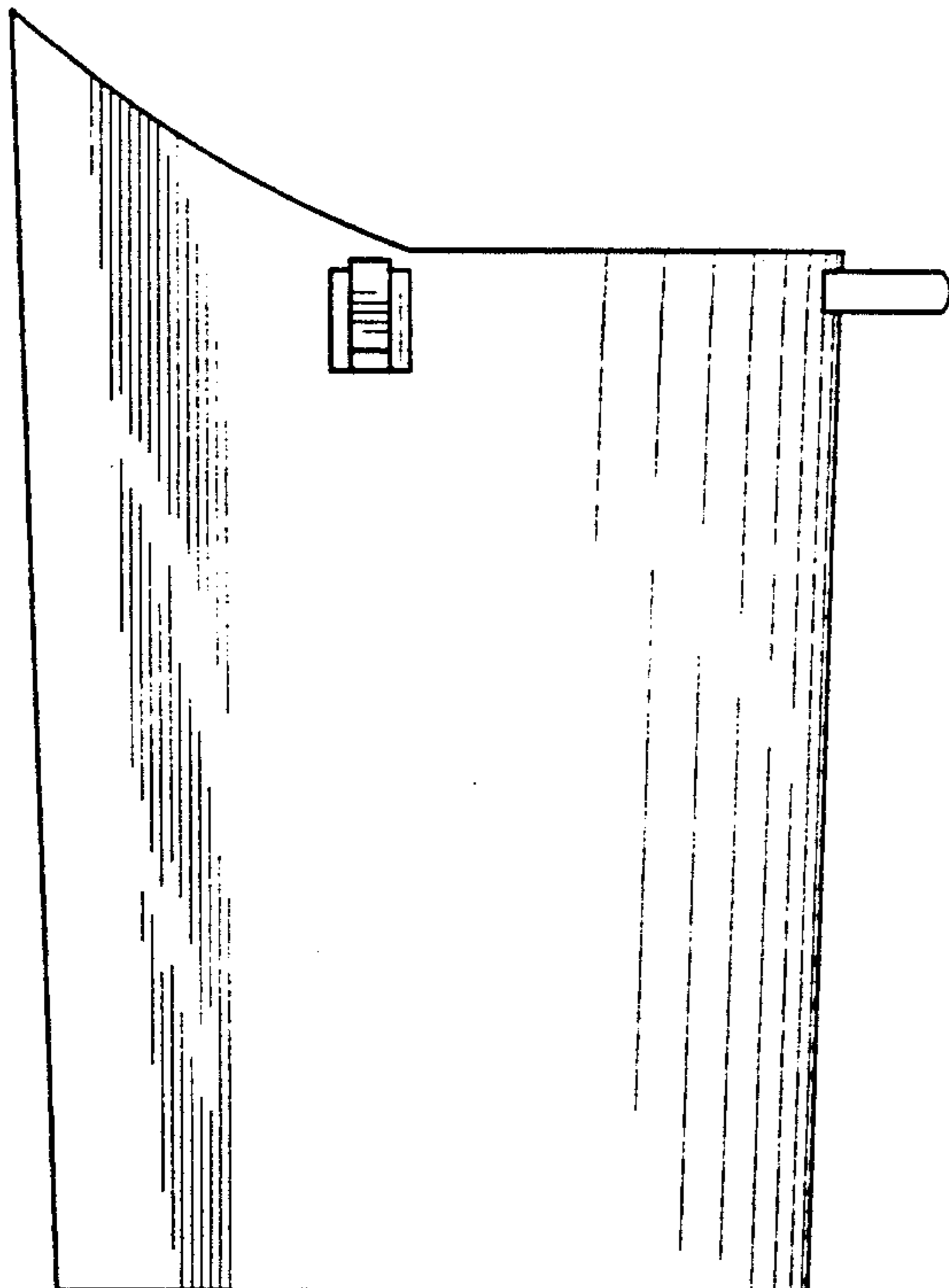


FIG. 1

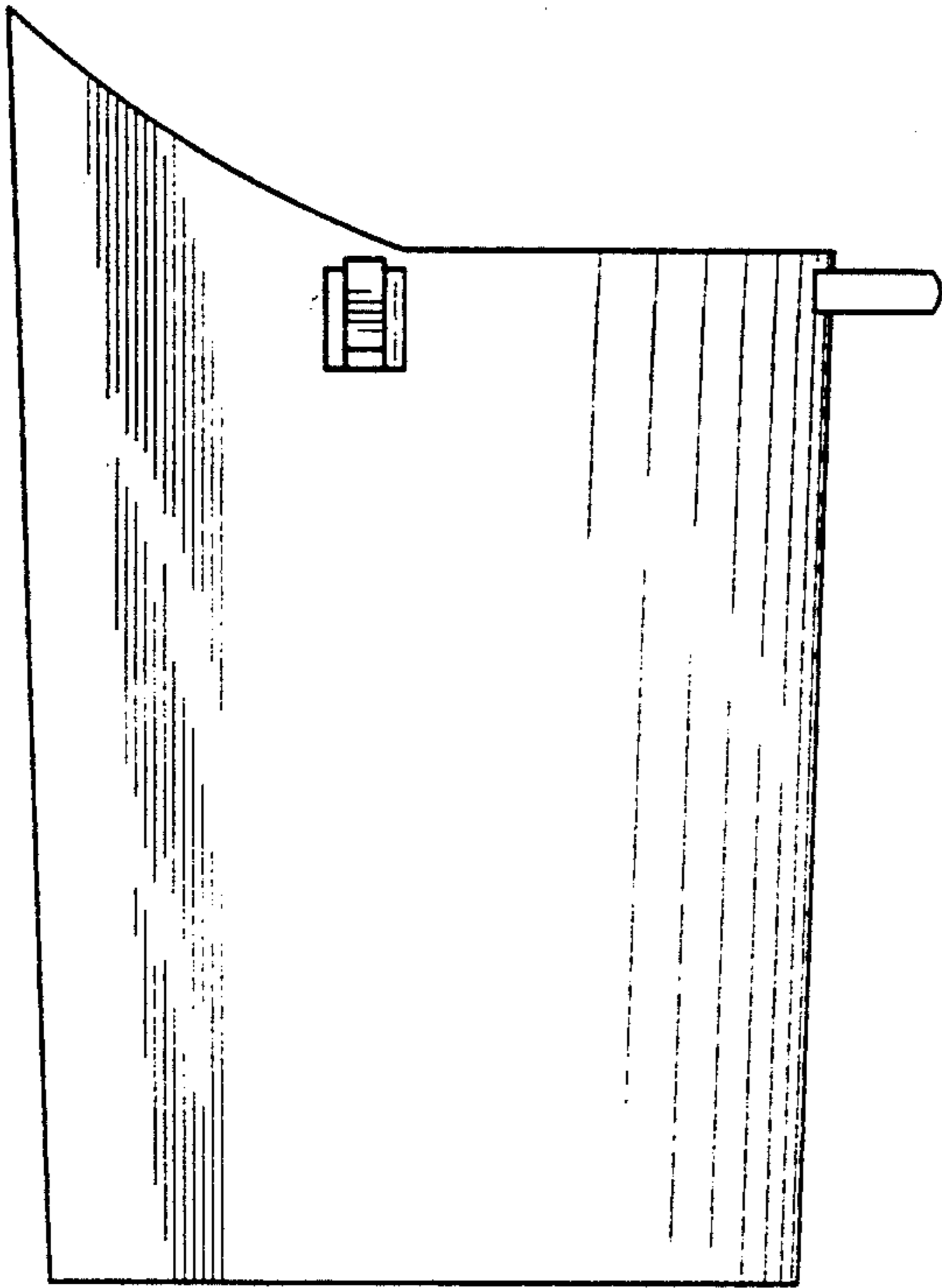


FIG. 2

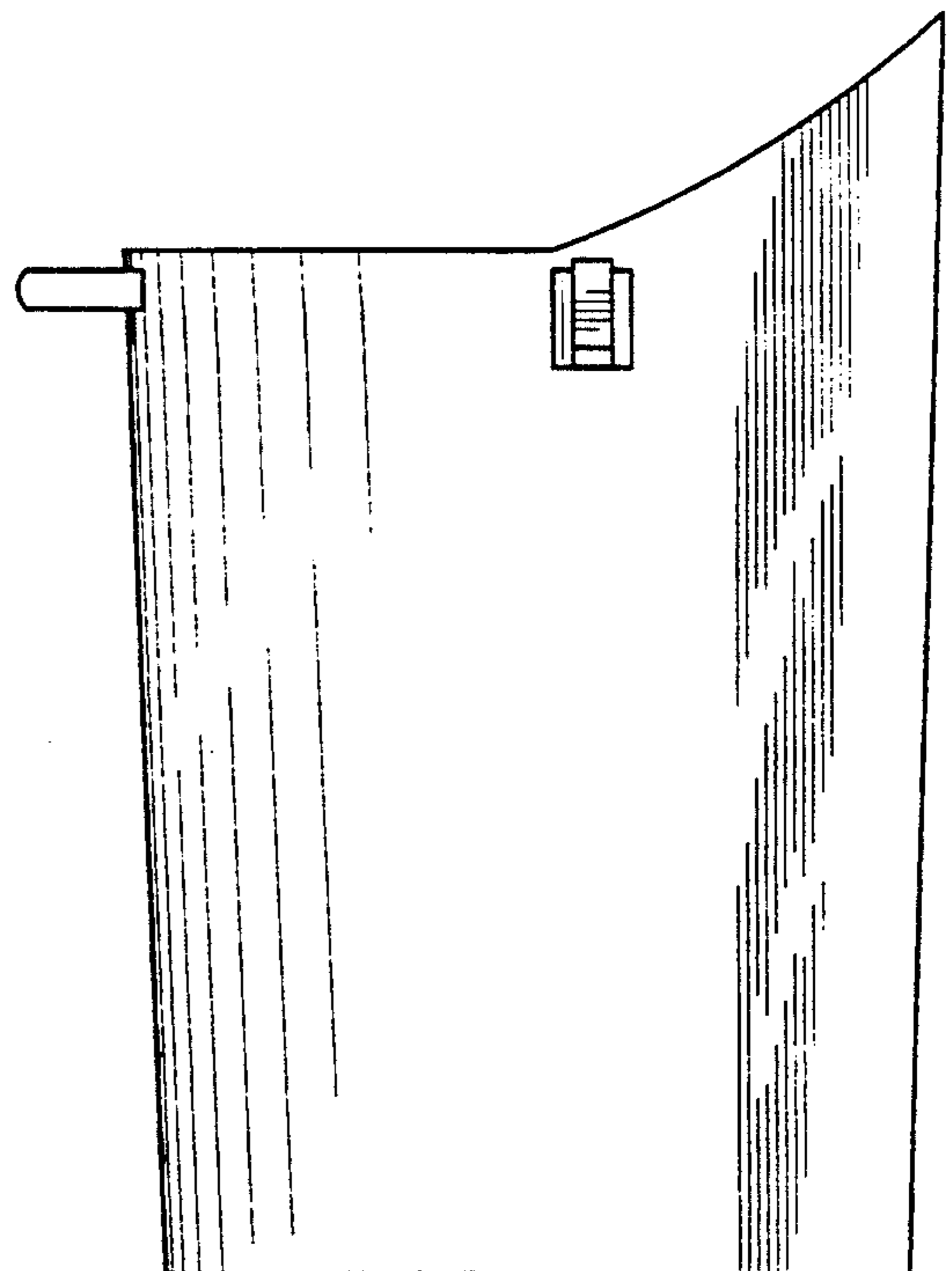


FIG. 3

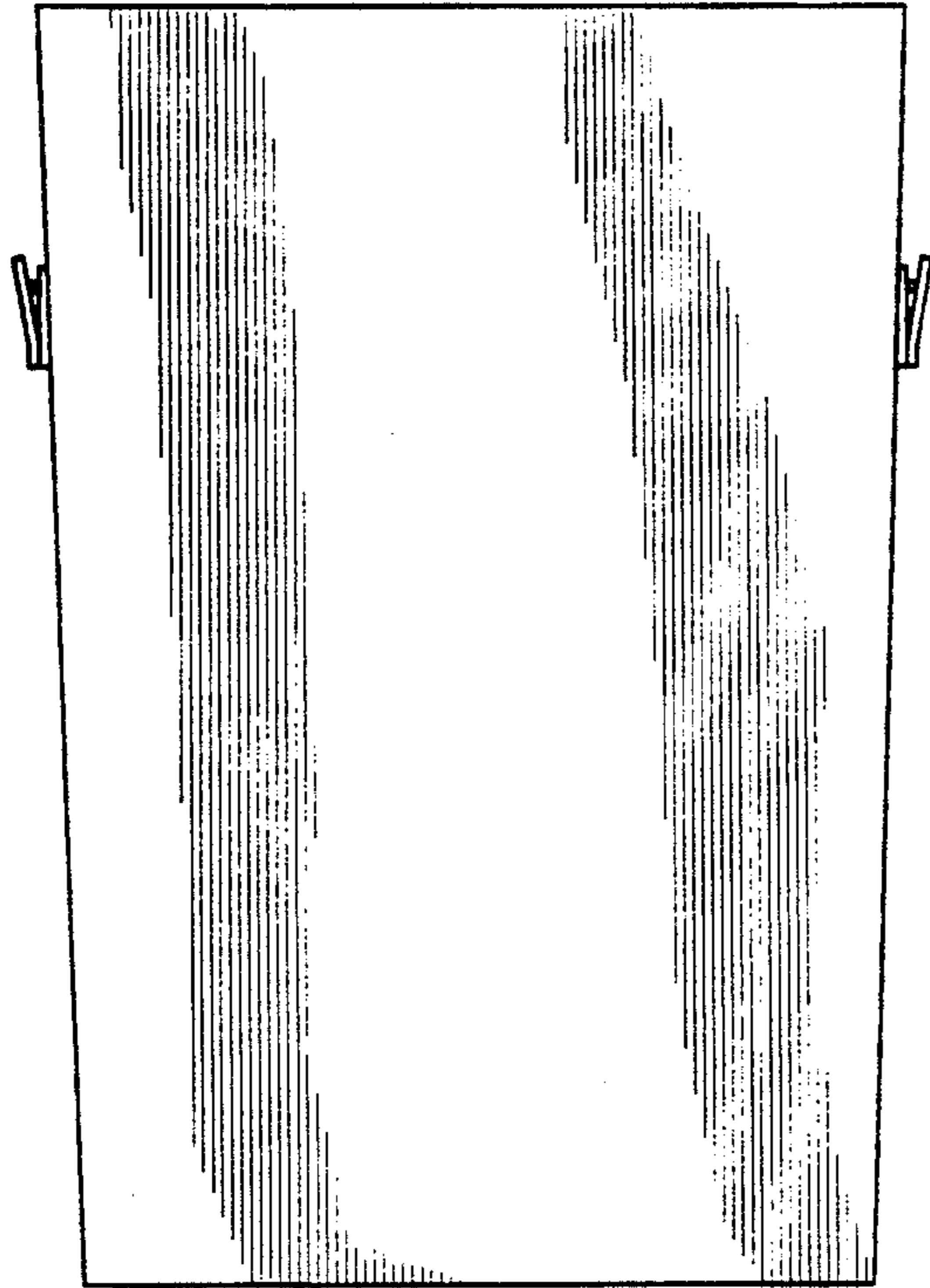


FIG. 4

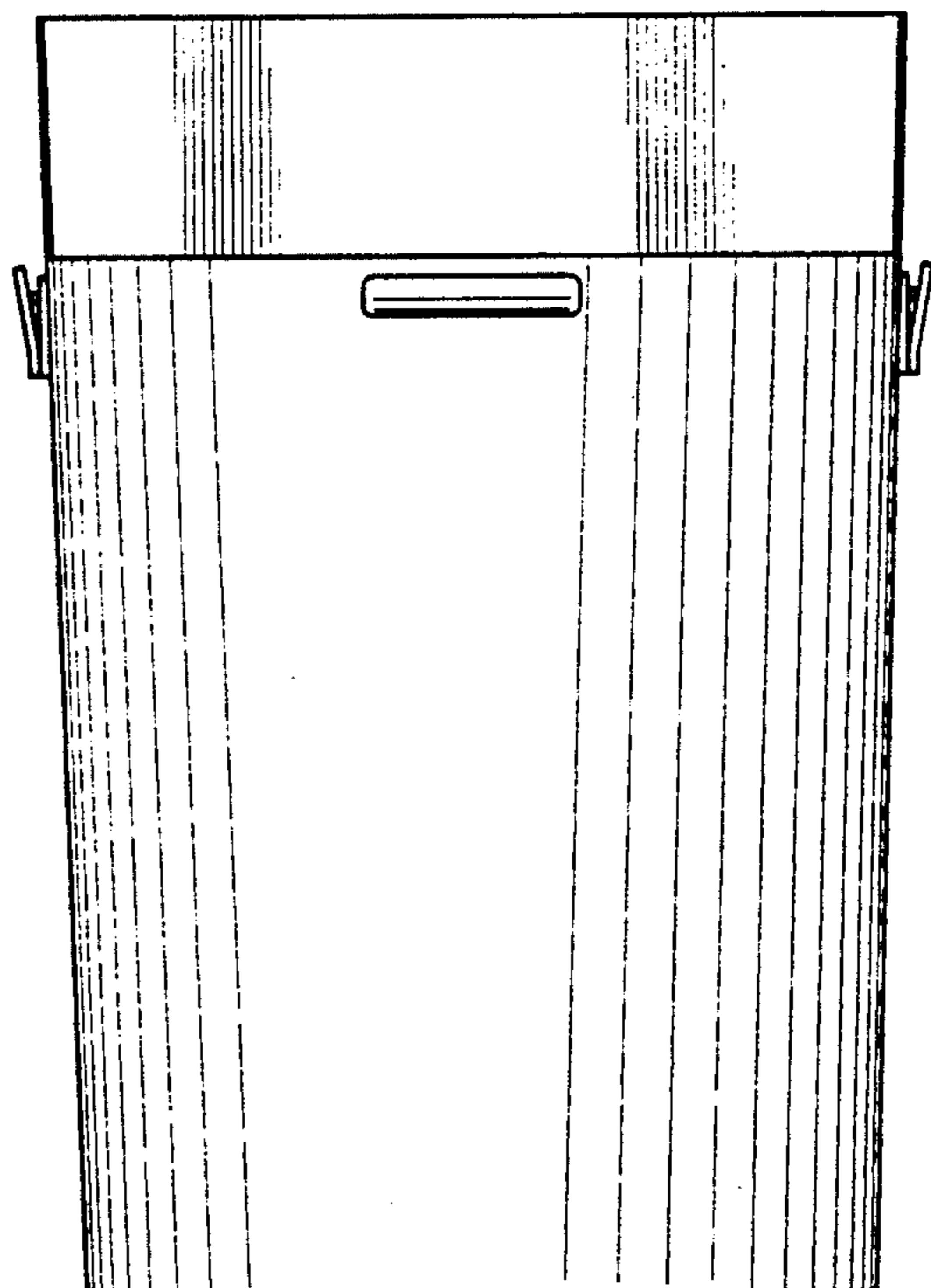


FIG. 5

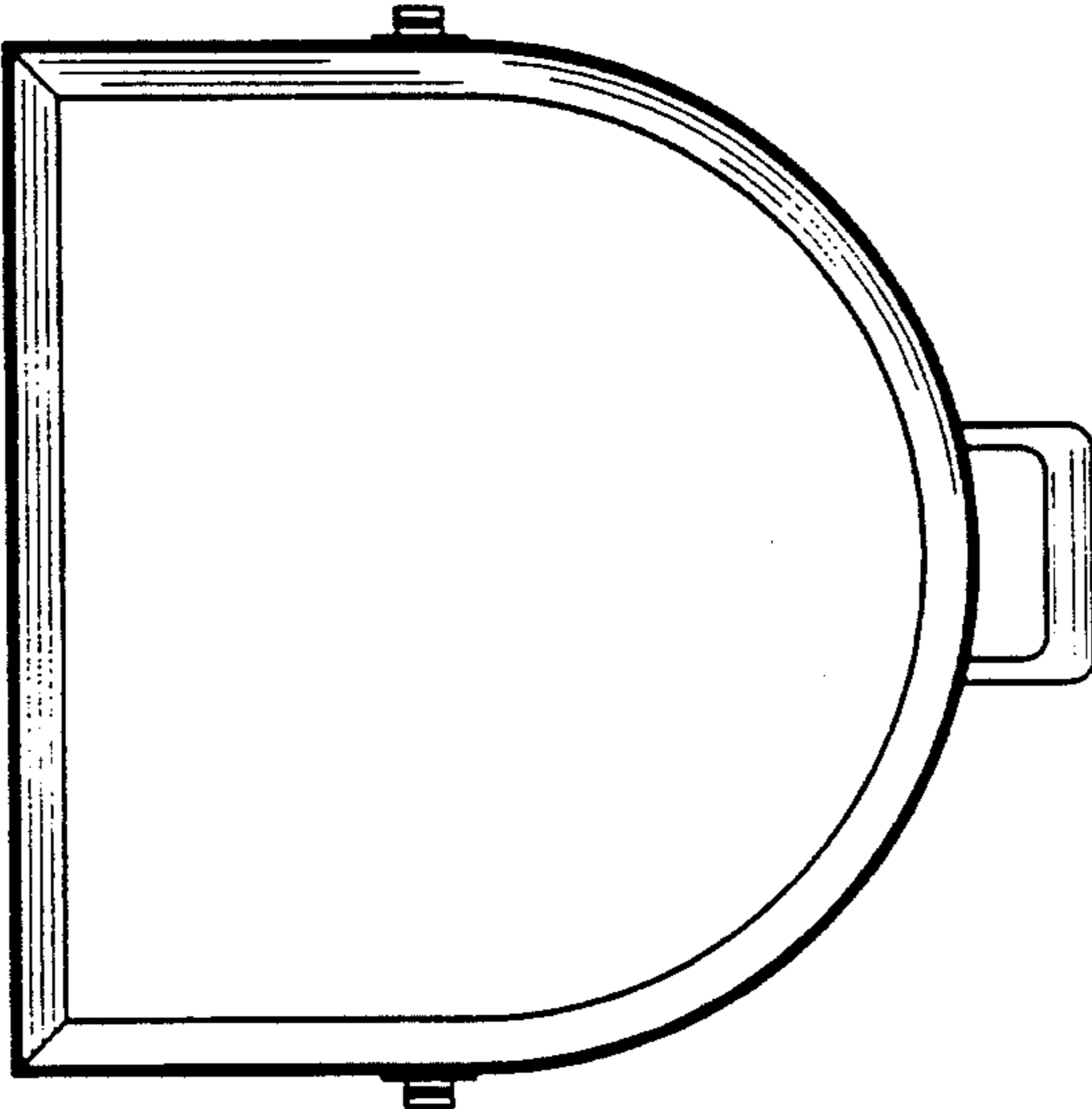


FIG. 6

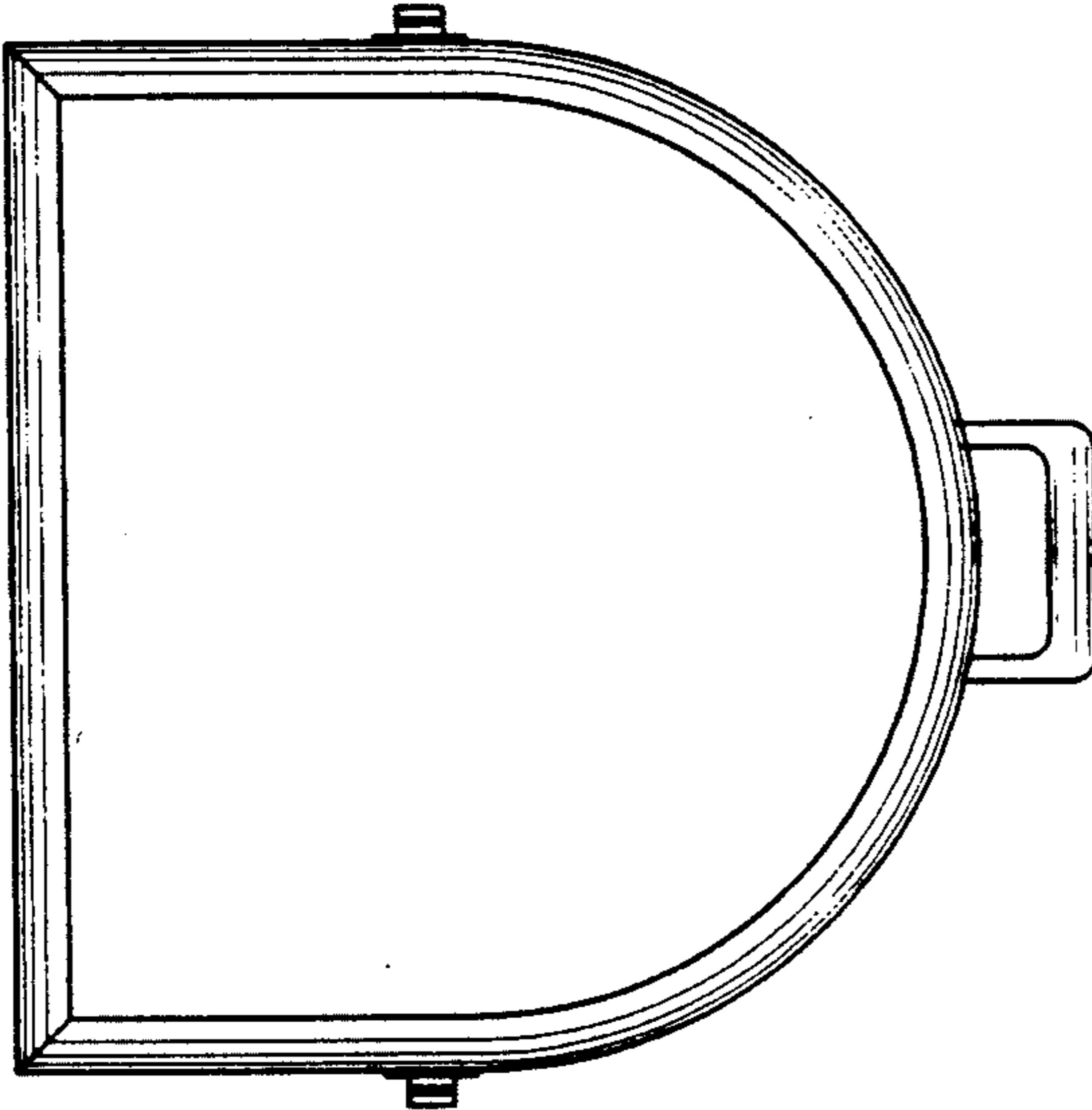


FIG. 7

