



US00D345640S

United States Patent [19] Galati

[11] Patent Number: **Des. 345,640**

[45] Date of Patent: **** Mar. 29, 1994**

[54] SNOW SCRAPER

[76] Inventor: **Frank Galati**, 90 Rossmull Crescent,
Woodbridge, Ontario, Canada, L4L
7C7

[**] Term: **14 Years**

[21] Appl. No.: **896,548**

[22] Filed: **Jun. 10, 1992**

[52] U.S. Cl. **D32/49; D8/10**

[58] Field of Search **D8/10-11;**
15/105, 236.01, 236.02, 236.05, 236.07, 236.09;
30/169, 171-172; 294/49, 54.5, 55; D32/40, 46,
49

[56] **References Cited**

U.S. PATENT DOCUMENTS

285,771 9/1883 Turner 15/105

2,896,993 7/1959 Pollock 294/54.5
3,328,067 6/1967 Winkler 294/54.5
3,369,835 2/1968 Marino 294/54.5

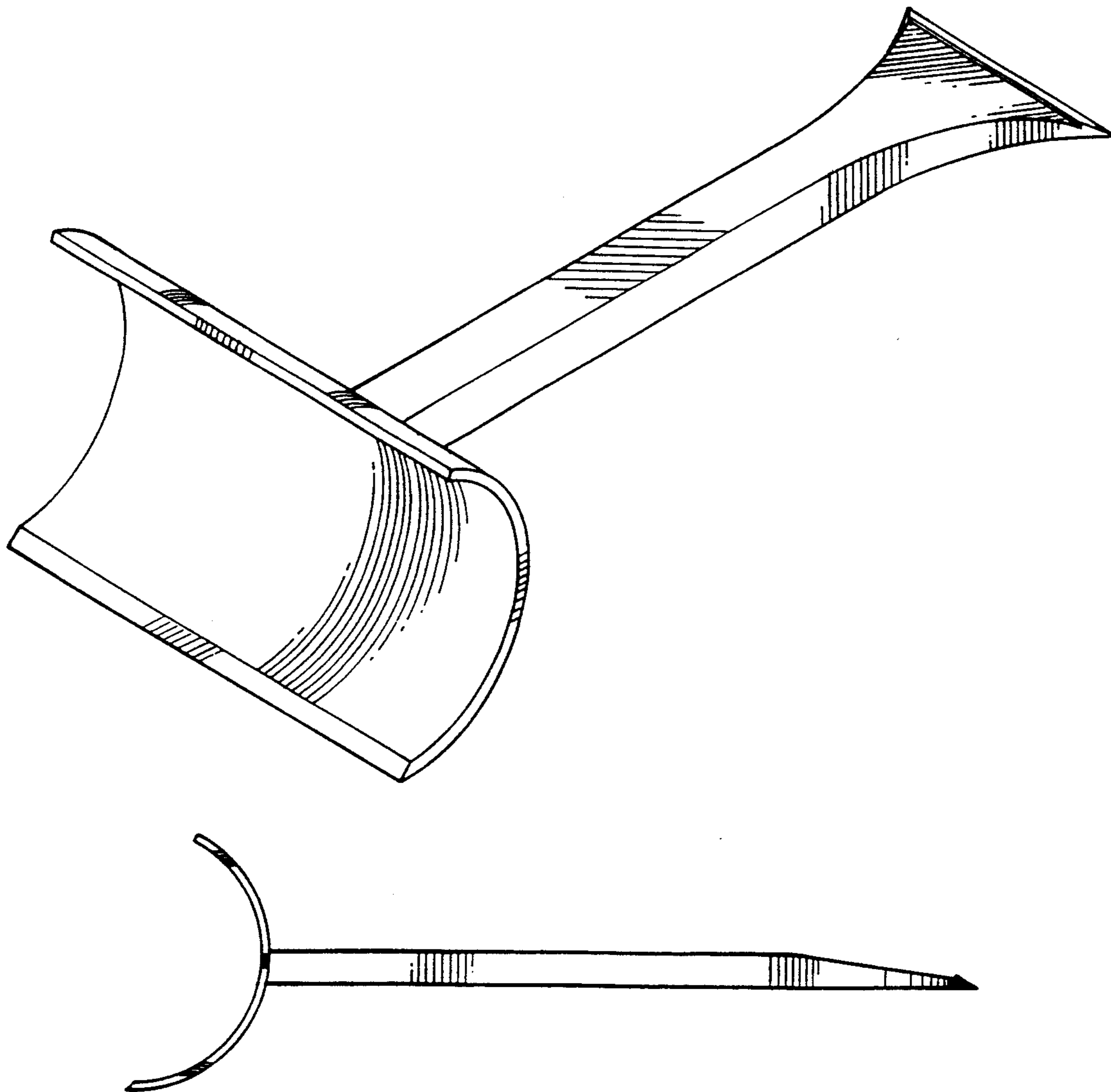
Primary Examiner—Wallace R. Burke
Assistant Examiner—Lavone D. Tabor
Attorney, Agent, or Firm—Ridout & Maybee

[57] **CLAIM**

The ornamental design for a snow scraper, as shown and described.

DESCRIPTION

FIG. 1 is a perspective view of the snow scraper embodying the subject design;
FIG. 2 is a side elevation, the opposite side being a mirror image thereof;
FIG. 3 is a rear elevation;
FIG. 4 is a top plan view; and,
FIG. 5 is a front elevation.



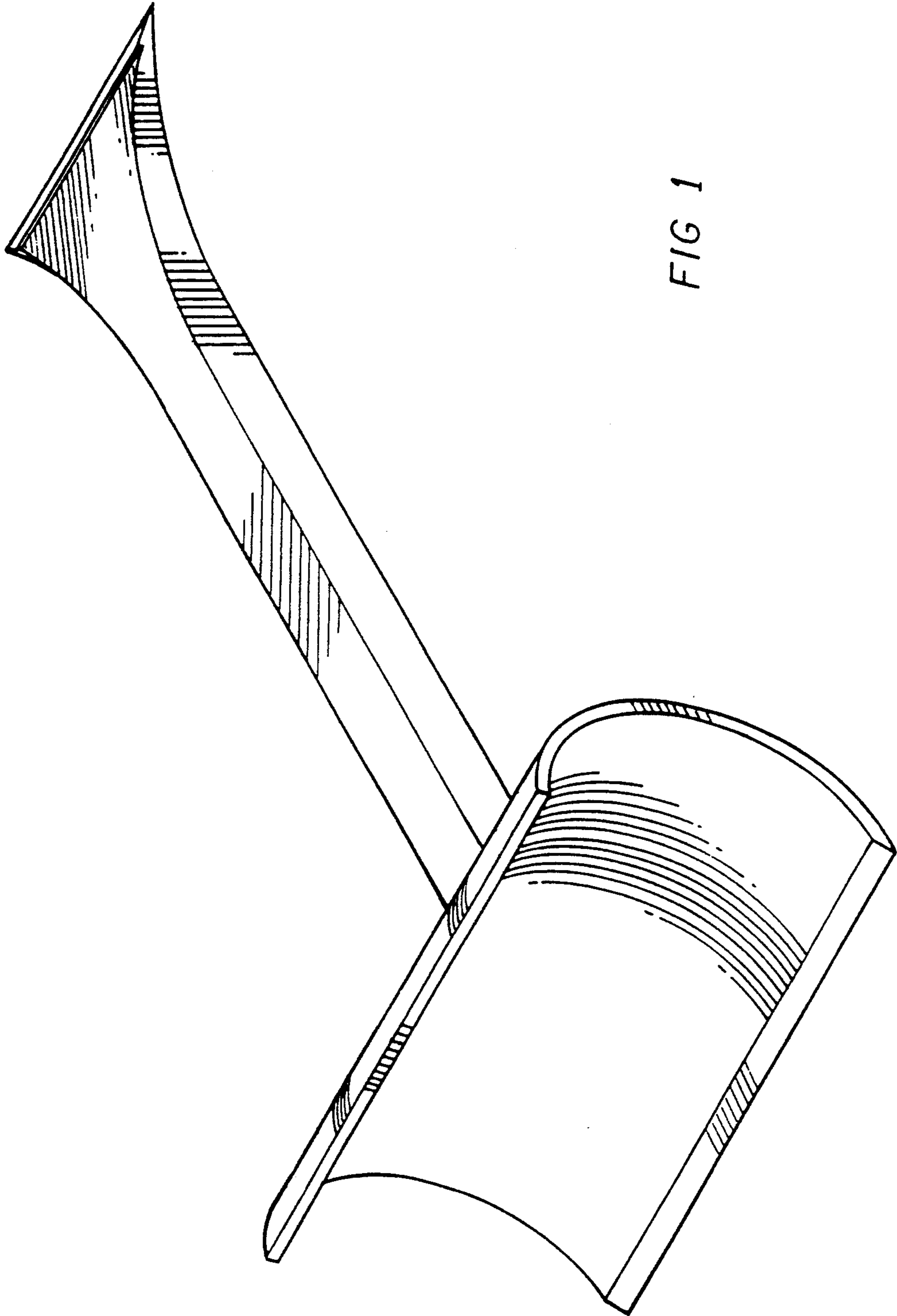


FIG 1

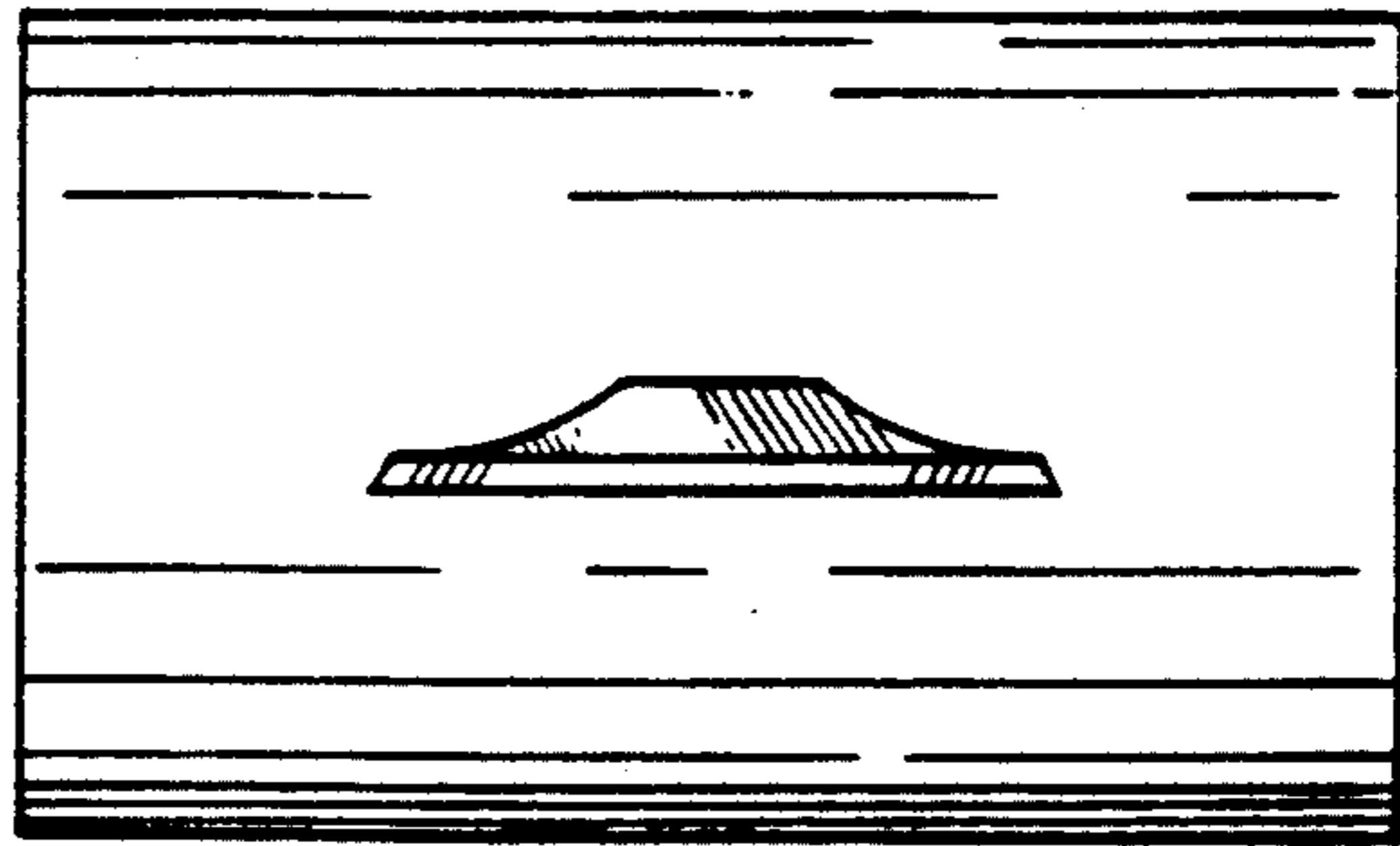
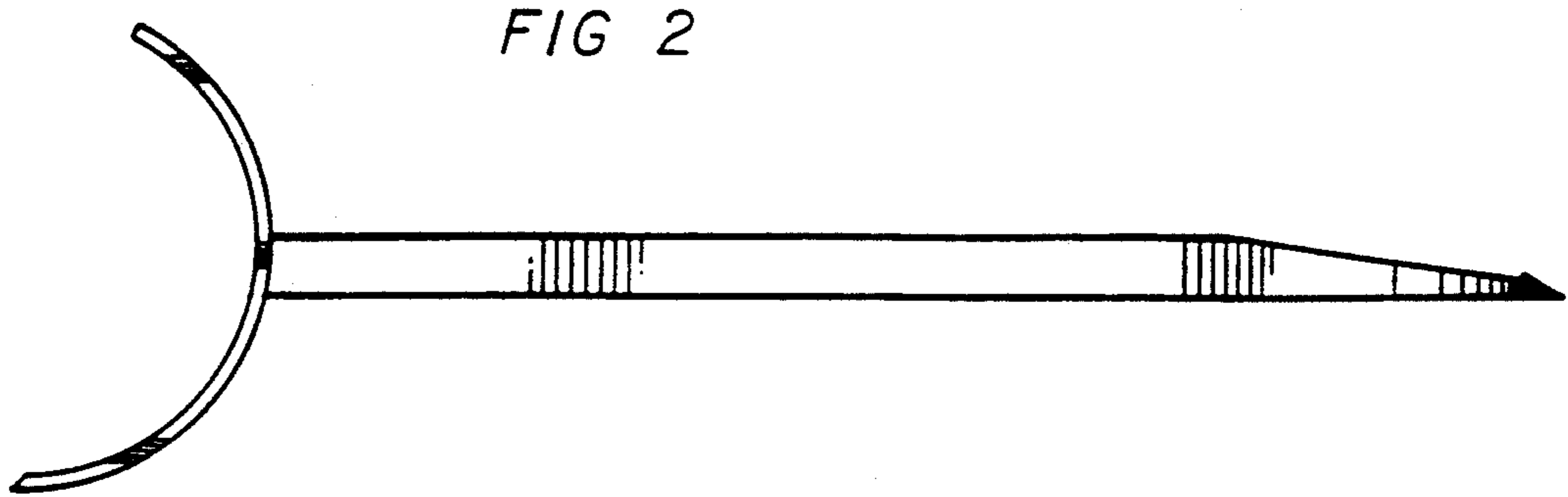


FIG. 3

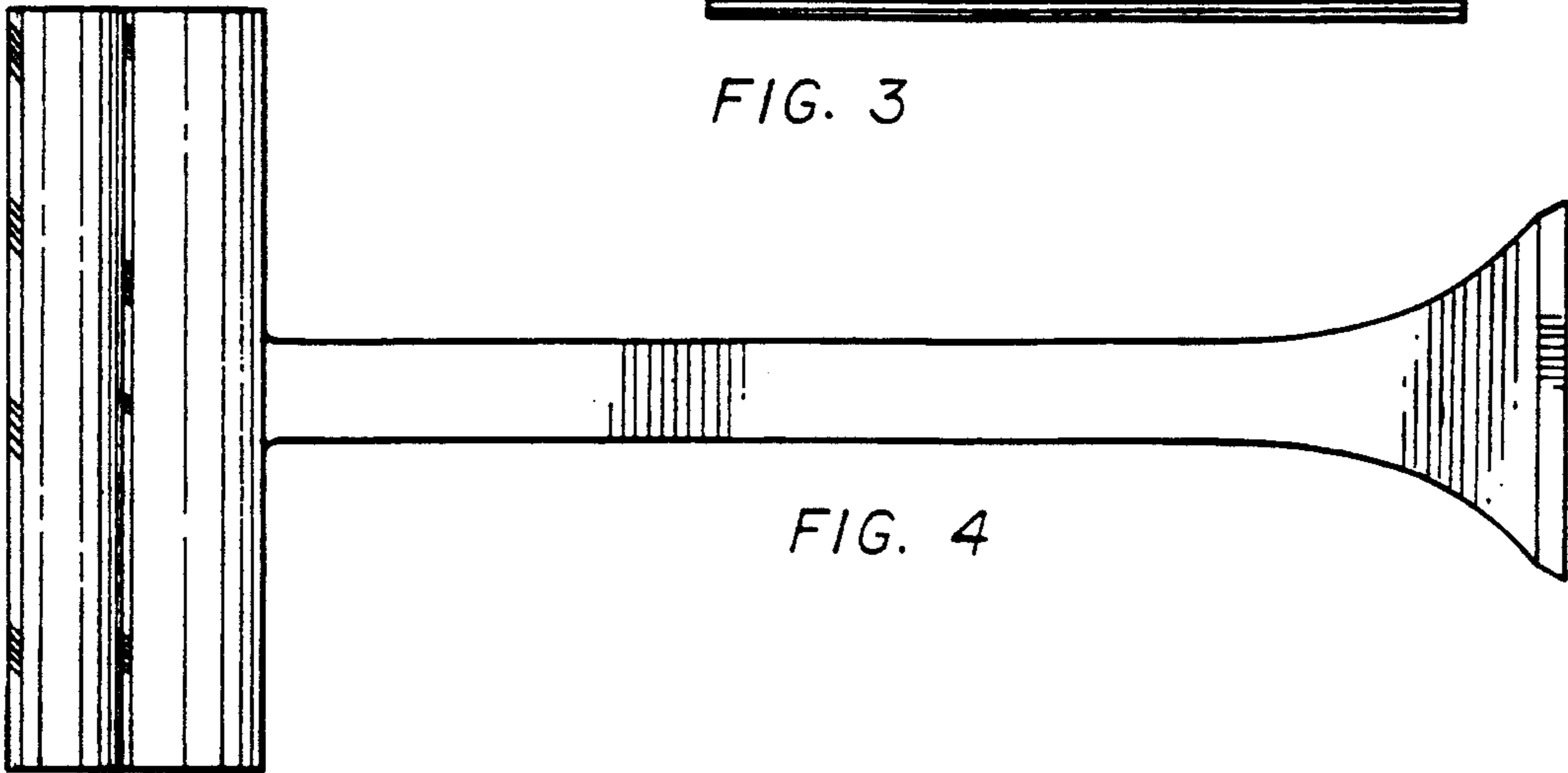


FIG. 4

FIG. 5

