



US00D345639S

# United States Patent [19]

[11] Patent Number: **Des. 345,639**

Pollak et al.

[45] Date of Patent: **\*\* Mar. 29, 1994**

[54] **LONG-HANDLED WINDSHIELD CLEANER**

[57] **CLAIM**

[75] Inventors: **Louis M. Pollak, Bridgewater, N.J.;  
Michael W. K. Young, Flushing, N.Y.**

The ornamental design for a long-handled windshield cleaner, as shown and described.

[73] Assignee: **Injectron Corporation, Plainfield, N.J.**

**DESCRIPTION**

[\*\*] Term: **14 Years**

FIG. 1 is a fragmentary front perspective view of a long-handled windshield cleaner showing our new design wherein the cleaner is embodied in a combined squeegee and covered sponge;

[21] Appl. No.: **676,734**

FIG. 2 is an enlarged left side elevational view thereof, the right side being a mirror image;

[22] Filed: **Mar. 28, 1991**

FIG. 3 is a top plan view thereof;

[52] U.S. Cl. .... **D32/42; D4/118**

FIG. 4 is a bottom plan view thereof;

[58] Field of Search ..... **D4/116, 118-119;  
15/105-106, 111, 114, 117-118, 119.2, 121,  
236.01, 236.02, 236.09, 244.1, 244.4, 245;  
D32/35, 40-42, 46, 48-49**

FIG. 5 is a front elevational view thereof, shown with the covered sponge completed;

[56] **References Cited**

**U.S. PATENT DOCUMENTS**

D. 219,303	11/1970	Golden	.....	D32/49
D. 235,119	5/1975	Gode	.....	D4/118
D. 271,627	11/1983	Bauer	.....	D32/42
D. 292,949	12/1987	Vetter	.....	D4/116
D. 318,158	7/1991	Ediger et al.	.....	D32/42
3,406,420	10/1968	Siemund	.....	15/121

FIG. 6 is a fragmentary rear elevational view thereof; FIG. 7 is a fragmentary front perspective view of an alternate embodiment of the design shown in FIG. 1 wherein the cleaner is embodied in a combined squeegee and brush;

*Primary Examiner*—Wallace R. Burke  
*Assistant Examiner*—Lavone D. Tabor  
*Attorney, Agent, or Firm*—Philip H. Gottfried

FIG. 8 is an enlarged left side elevational view thereof, the right side being a mirror image;

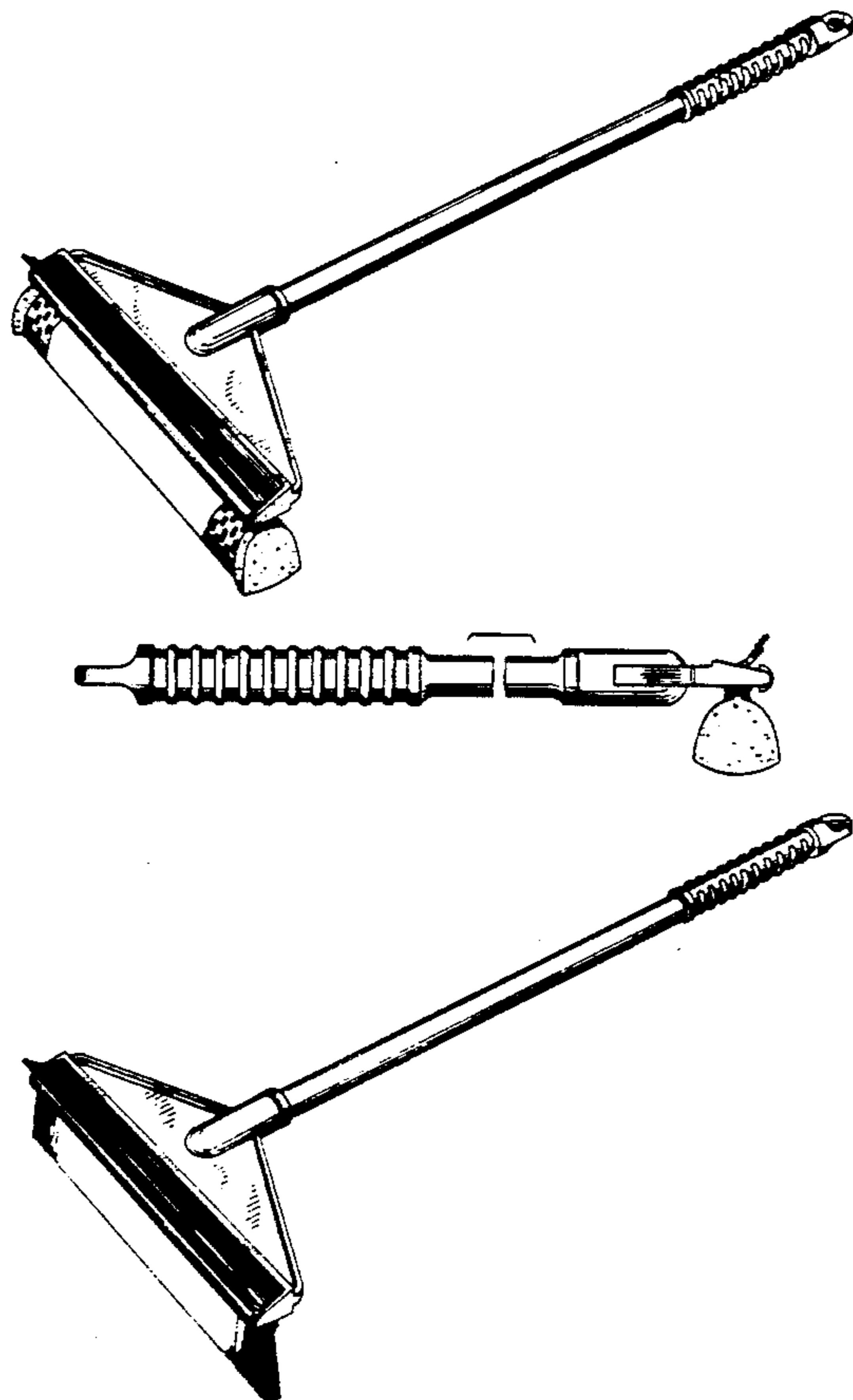
FIG. 9 is a top plan view thereof;

FIG. 10 is a bottom plan view thereof;

FIG. 11 is a front elevational view thereof; and,

FIG. 12 is a rear elevational view thereof.

The covered sponge, the bristles, and the handle are partially shown in some of the views for ease of illustration only.



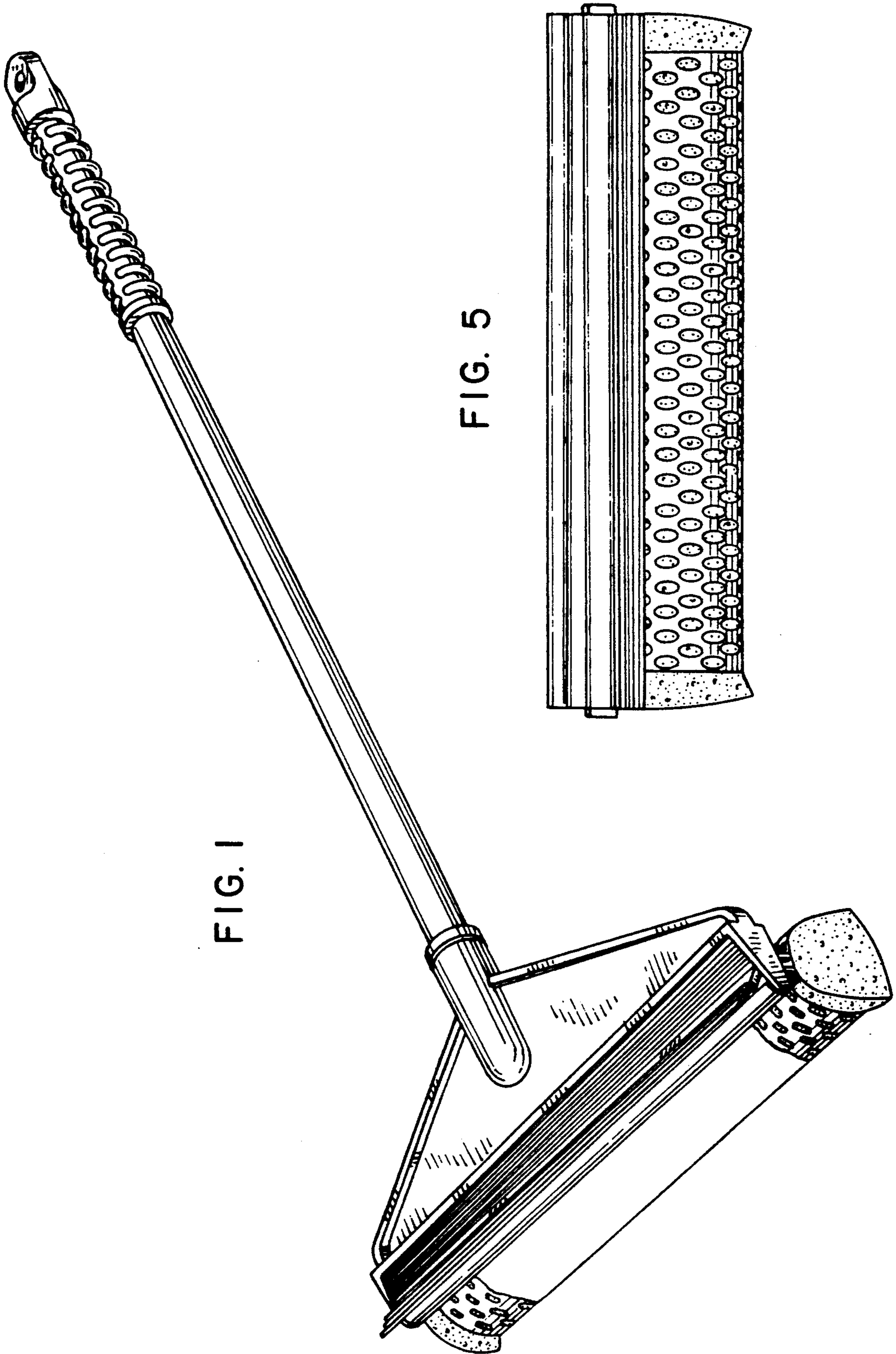


FIG. 1

FIG. 5

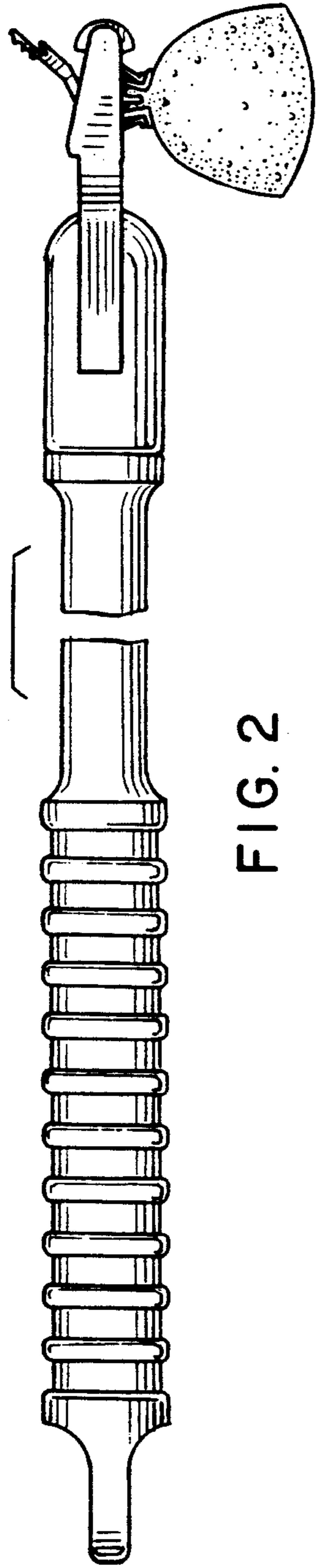


FIG. 2

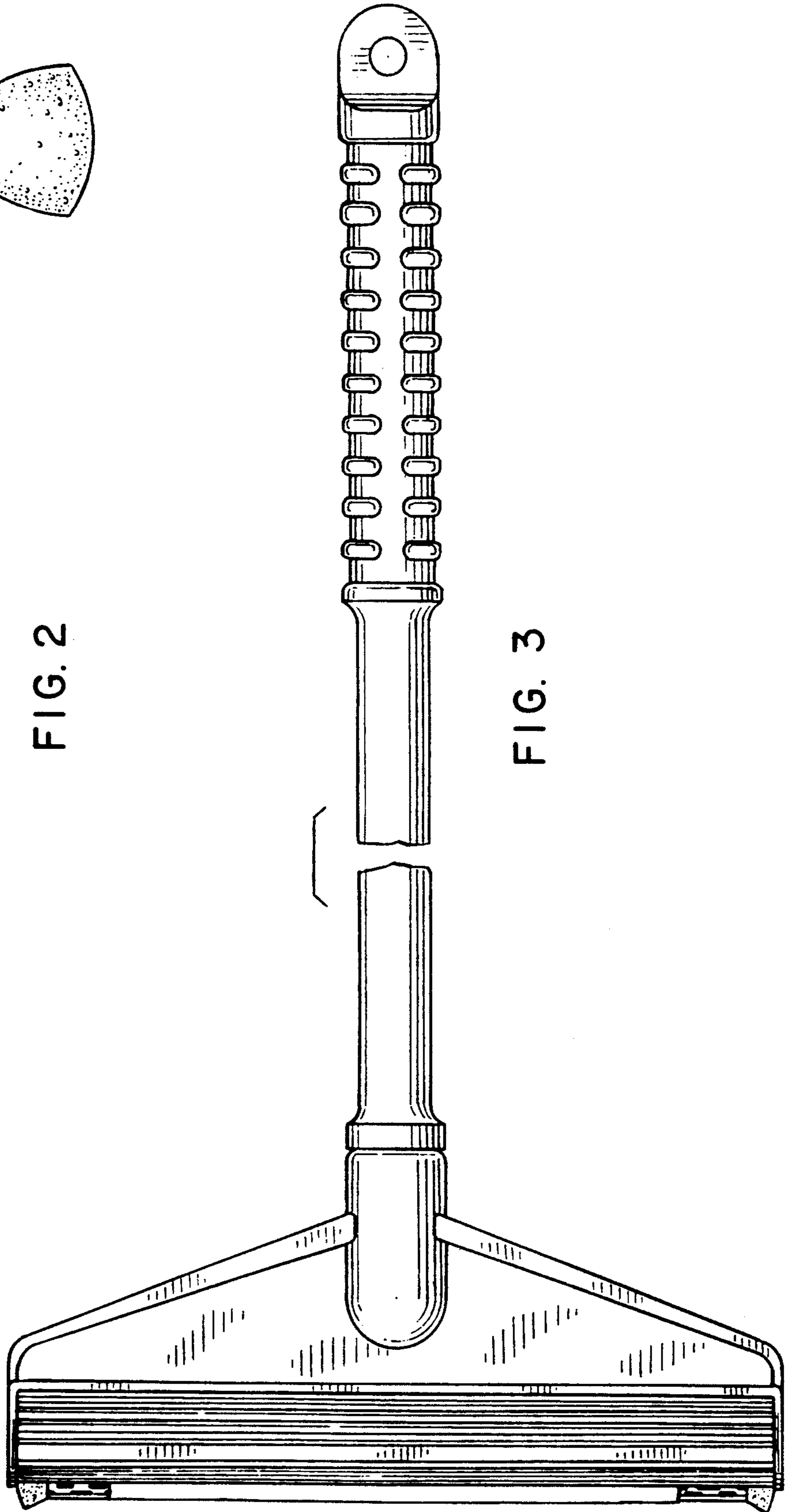


FIG. 3

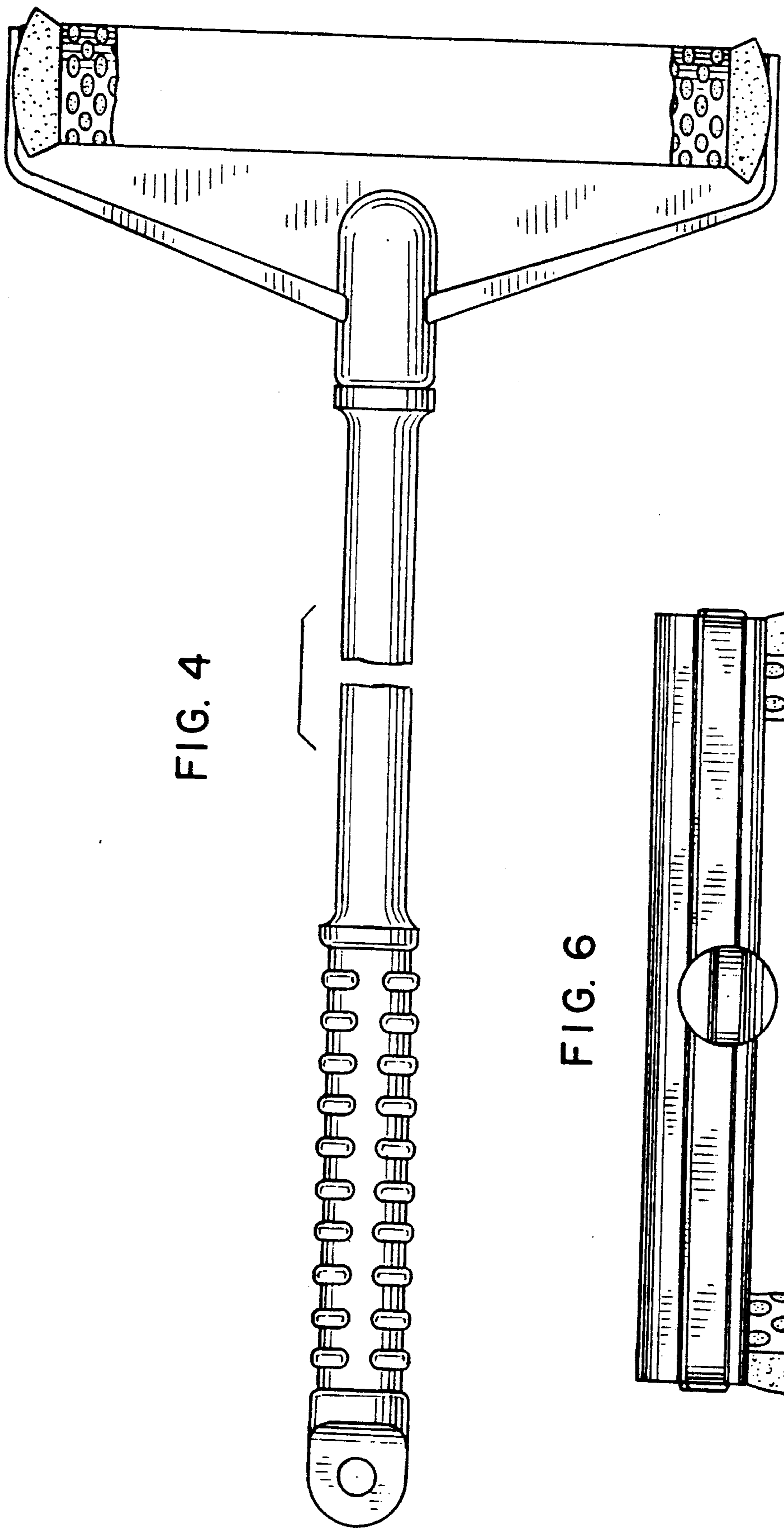


FIG. 4

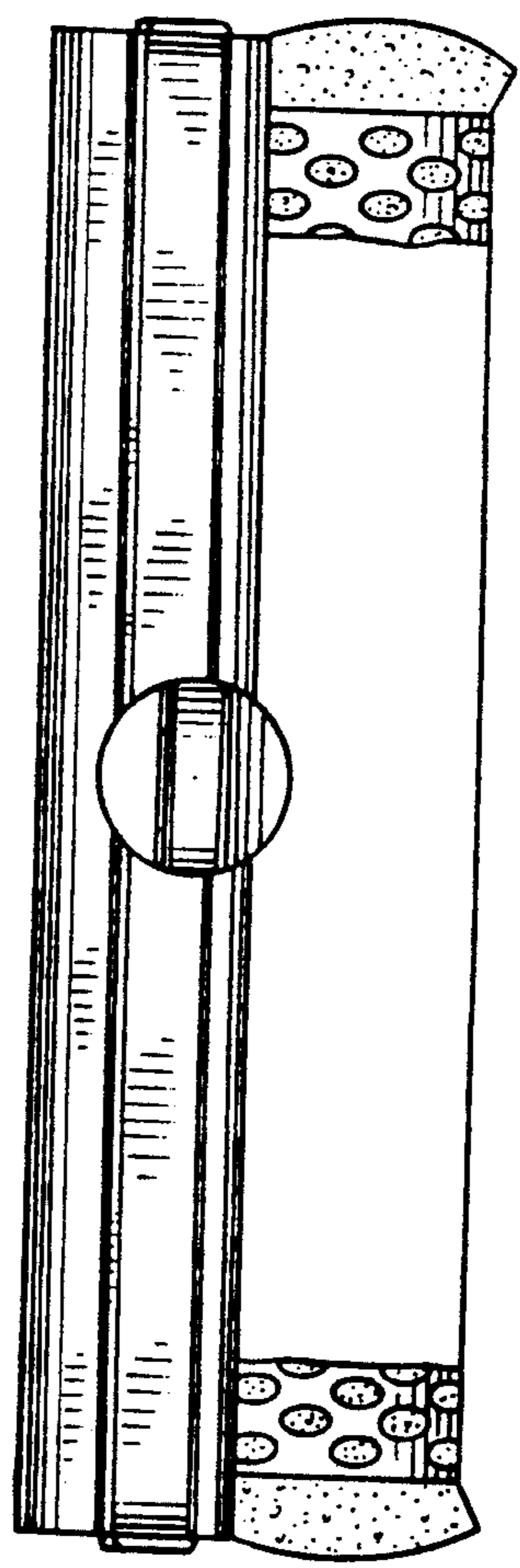
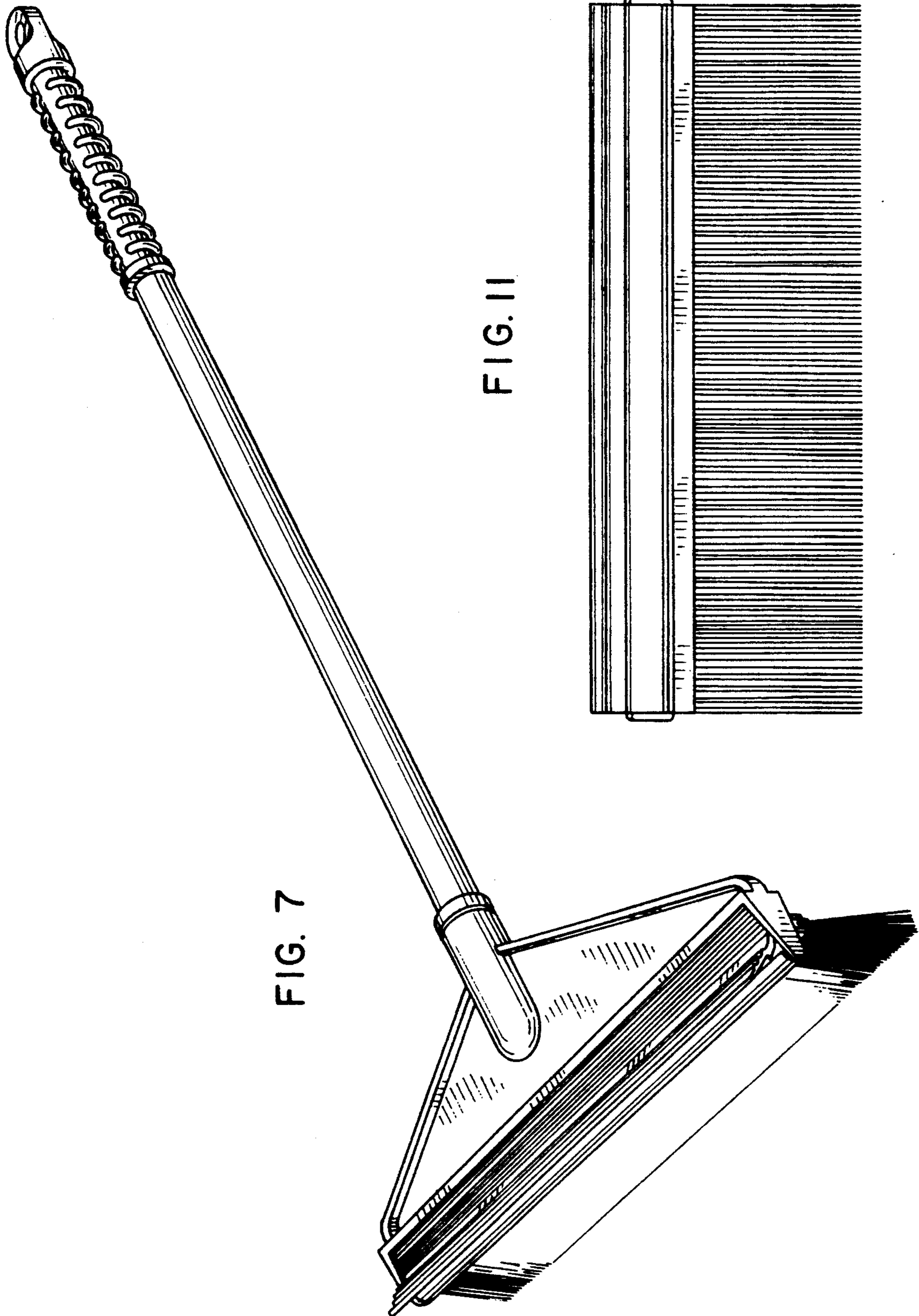


FIG. 6



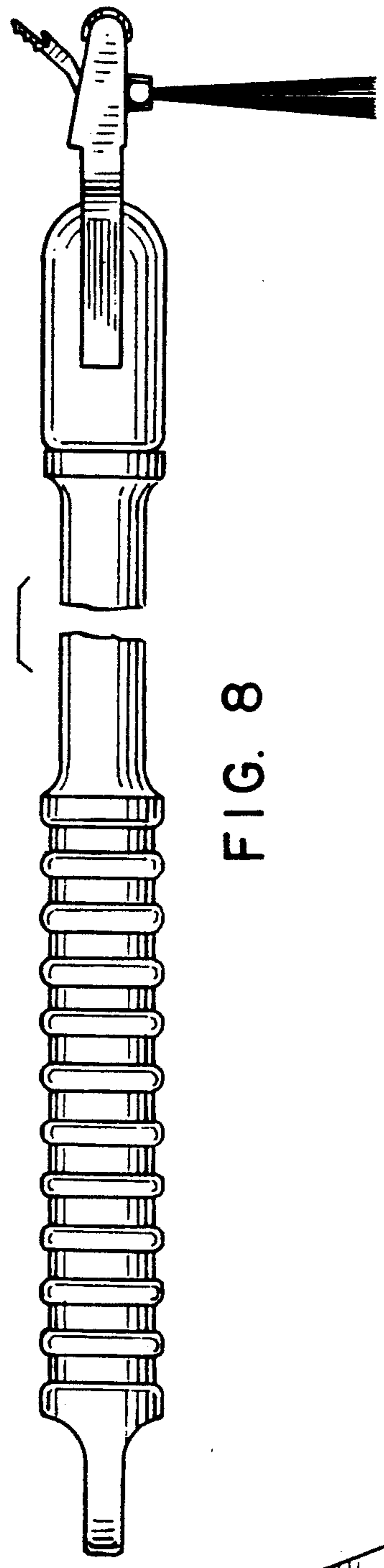


FIG. 8

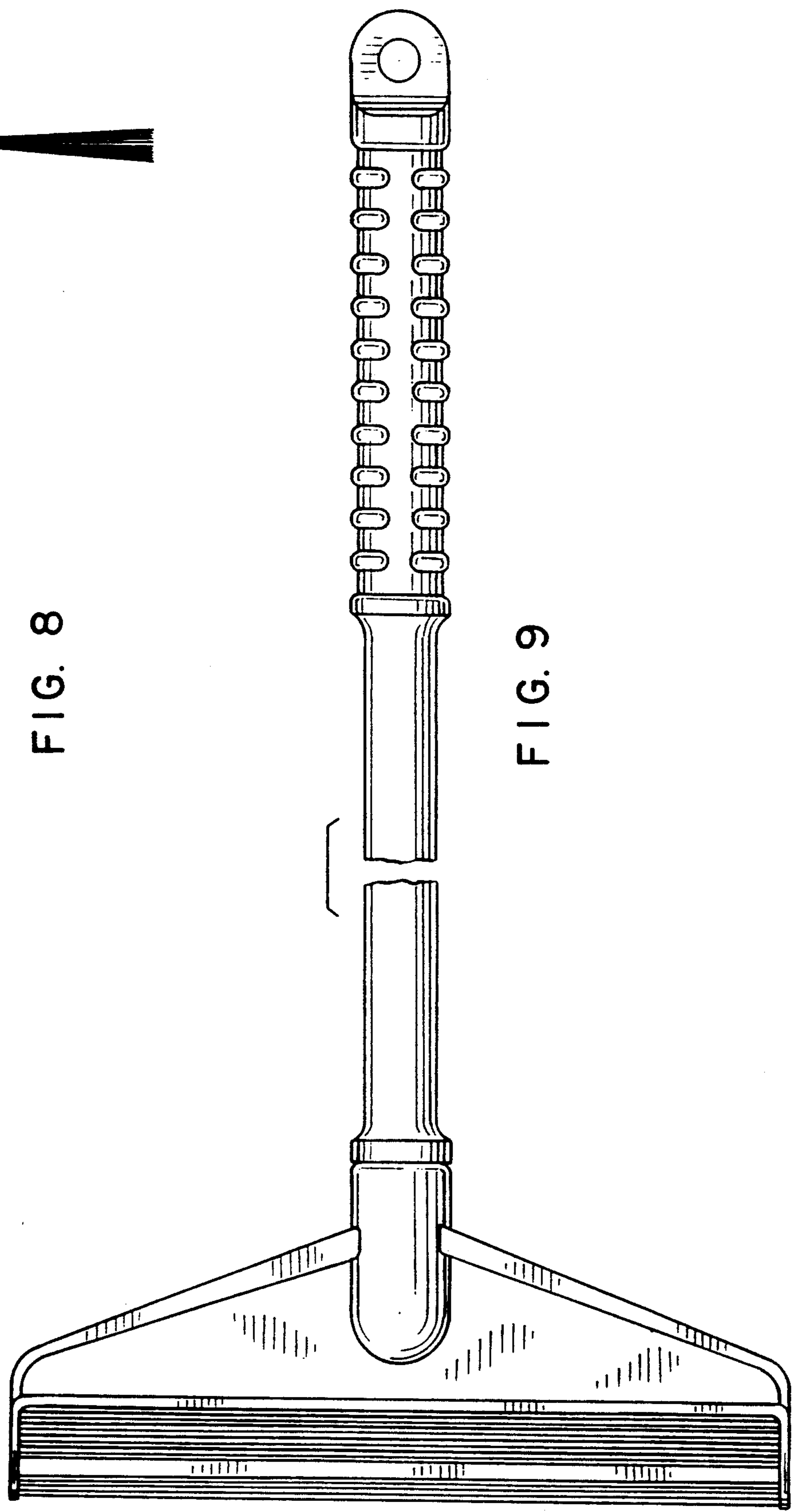


FIG. 9

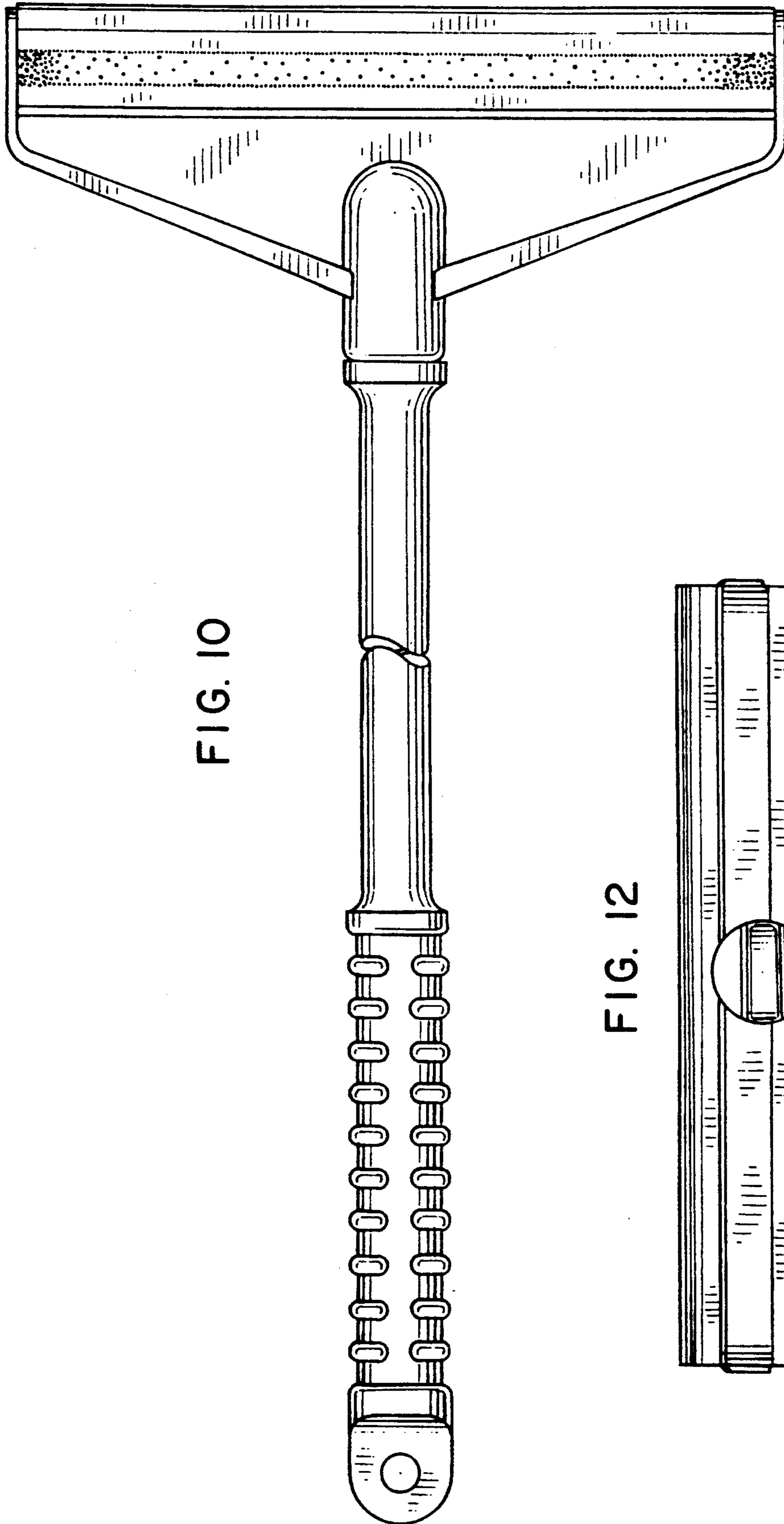


FIG. 10

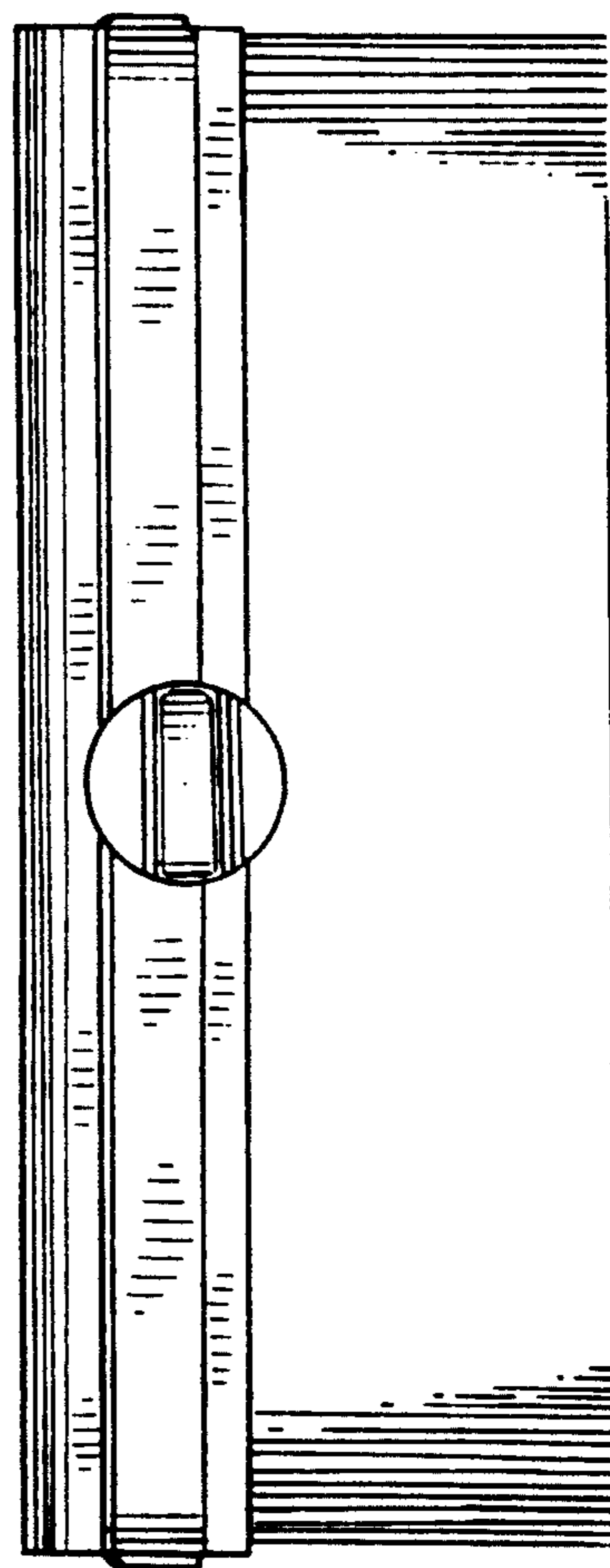


FIG. 12