



US00D345633S

# United States Patent [19]

[11] Patent Number: Des. 345,633

McCance

[45] Date of Patent: \*\* Mar. 29, 1994

## [54] COMBINED ANIMAL SCRATCHING PAD AND TOY

[76] Inventor: Donald A. McCance, 7967 Lariat Cir., Broken Arrow, Okla. 74014

[\*\*] Term: 14 Years

[21] Appl. No.: 6,701

[22] Filed: Apr. 5, 1993

### Related U.S. Application Data

[63] Continuation-in-part of Ser. No. 962,688, Oct. 19, 1992.

[52] U.S. Cl. .... D30/160

[58] Field of Search ..... 119/28.5, 29; 446/168, 446/170, 417; D30/158, 160

### [56] References Cited

#### U.S. PATENT DOCUMENTS

D. 335,553	5/1993	Conner	.....	D30/160
D. 335,554	5/1993	Conner	.....	D30/160
2,112,316	3/1938	Turner	.....	446/419
3,486,485	12/1969	Kahanick	.....	119/29
3,552,356	1/1971	Rosenthal	.....	119/28.5
3,638,350	2/1972	Wiggen	.....	446/168
3,648,403	3/1972	Gommel	.....	446/168
4,036,178	7/1977	Lee et al.	.....	119/29
4,720,283	1/1988	Williams	.....	446/419
4,969,417	11/1990	Sakano	.....	119/15
5,009,193	4/1991	Gordon	.....	119/29

#### FOREIGN PATENT DOCUMENTS

0664618	5/1979	U.S.S.R.	.....	119/29
8704046	7/1987	World Int. Prop. O.	.....	119/29

### OTHER PUBLICATIONS

Cat Fancy Magazine; Jan. 1989; p. 68; Item Cat-A -Combs game for cats.

Animail Pet Care Products; p. 44; item G3375 Kitty Pong ball game.

Animail Pet Care Products; p. 27; item J3325 Purrsuit game for cats.

Animail Pet Care Products; p. 27; item J3160 Cat Track bed & ball park.

Old Village Shop Catalog; p. 46; item C504084-Cat Scratching Pad.

Pedigrees the pet catalog; p. 29; item #B45-0537 Scratch Pad.

Primary Examiner—A. Hugo Word

Assistant Examiner—Cathy Anne MacCormac

Attorney, Agent, or Firm—Head & Johnson

### [57] CLAIM

The ornamental design for a combined animal scratching pad and toy, as shown and described.

### DESCRIPTION

FIG. 1 is a top elevational view of an combined animal scratching pad and toy showing my new design;

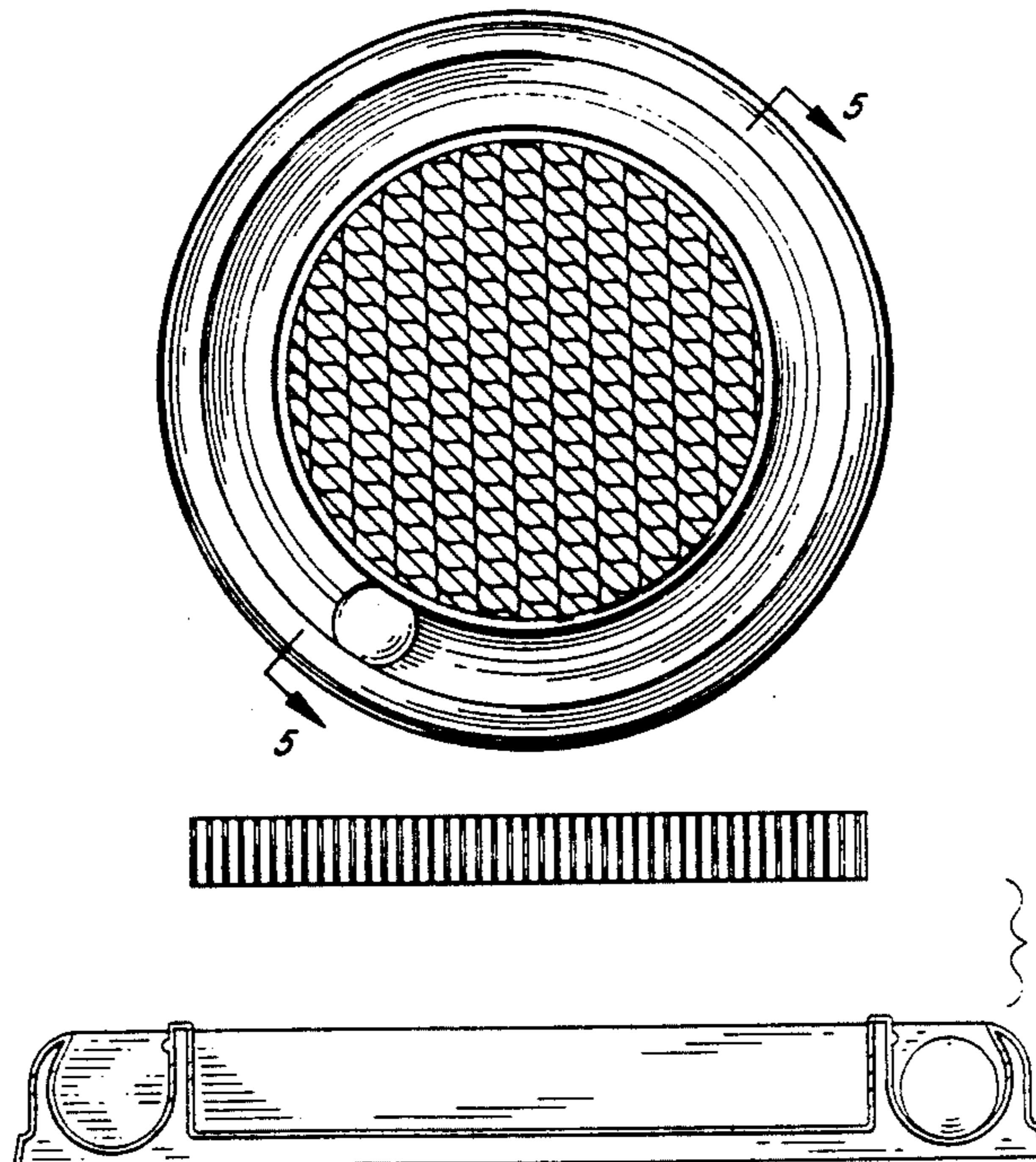
FIG. 2 is a front elevational view thereof showing a partial cutaway view of the inside wall of the track;

FIG. 3 is a bottom plan view thereof;

FIG. 4 is a top plan view showing the scratching pad removed for convenience of illustration; and,

FIG. 5 is a sectional view taken along section line 5—5 of FIG. 1 with the scratching pad exploded or lifted away from the device.

The rear, left and right elevational view of the present invention is the same as the front elevational view shown in FIG. 2.



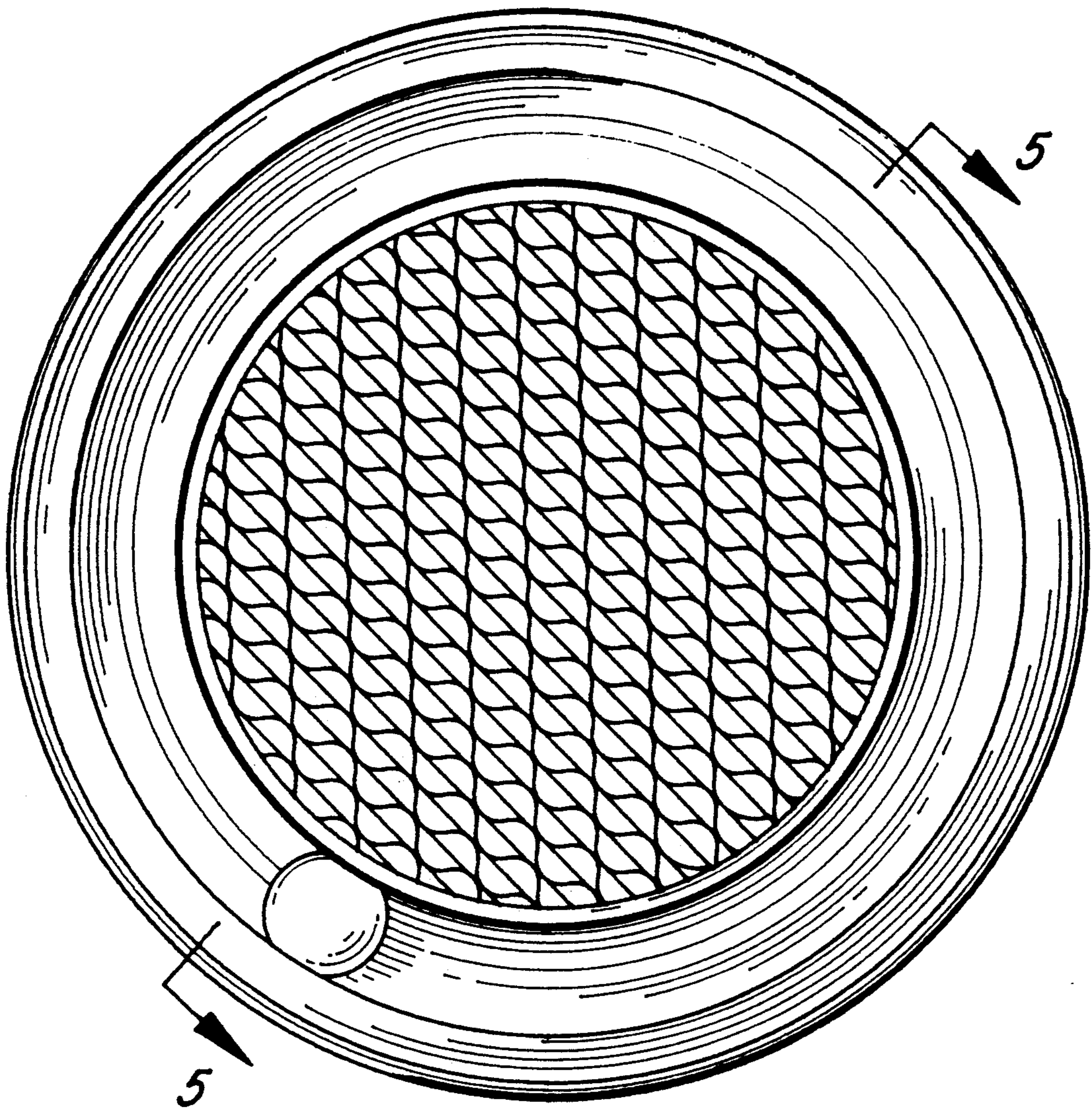


Fig. 1

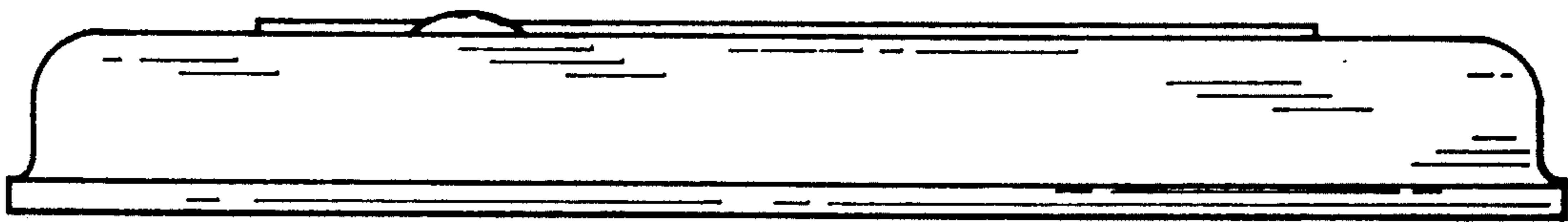
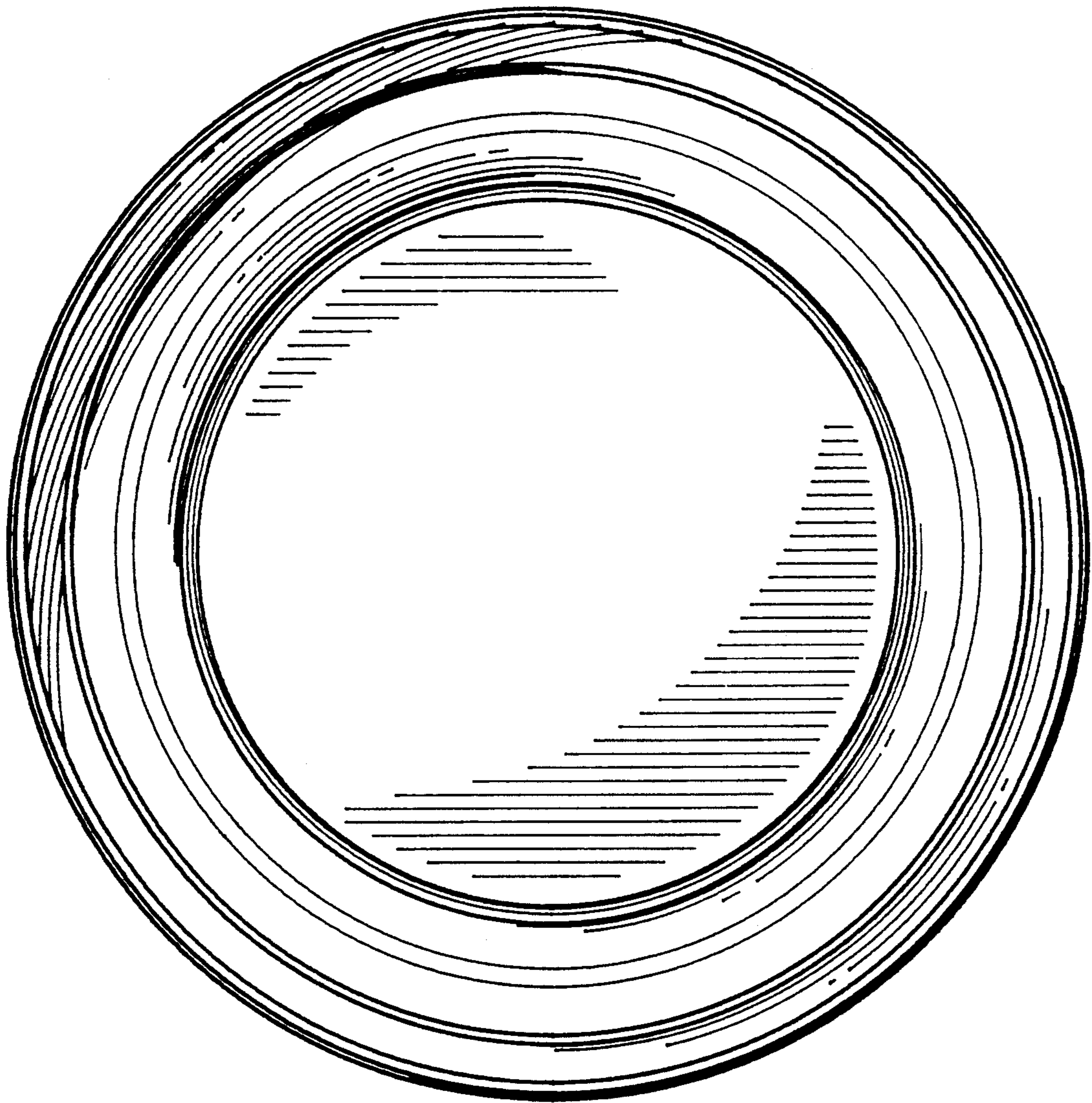
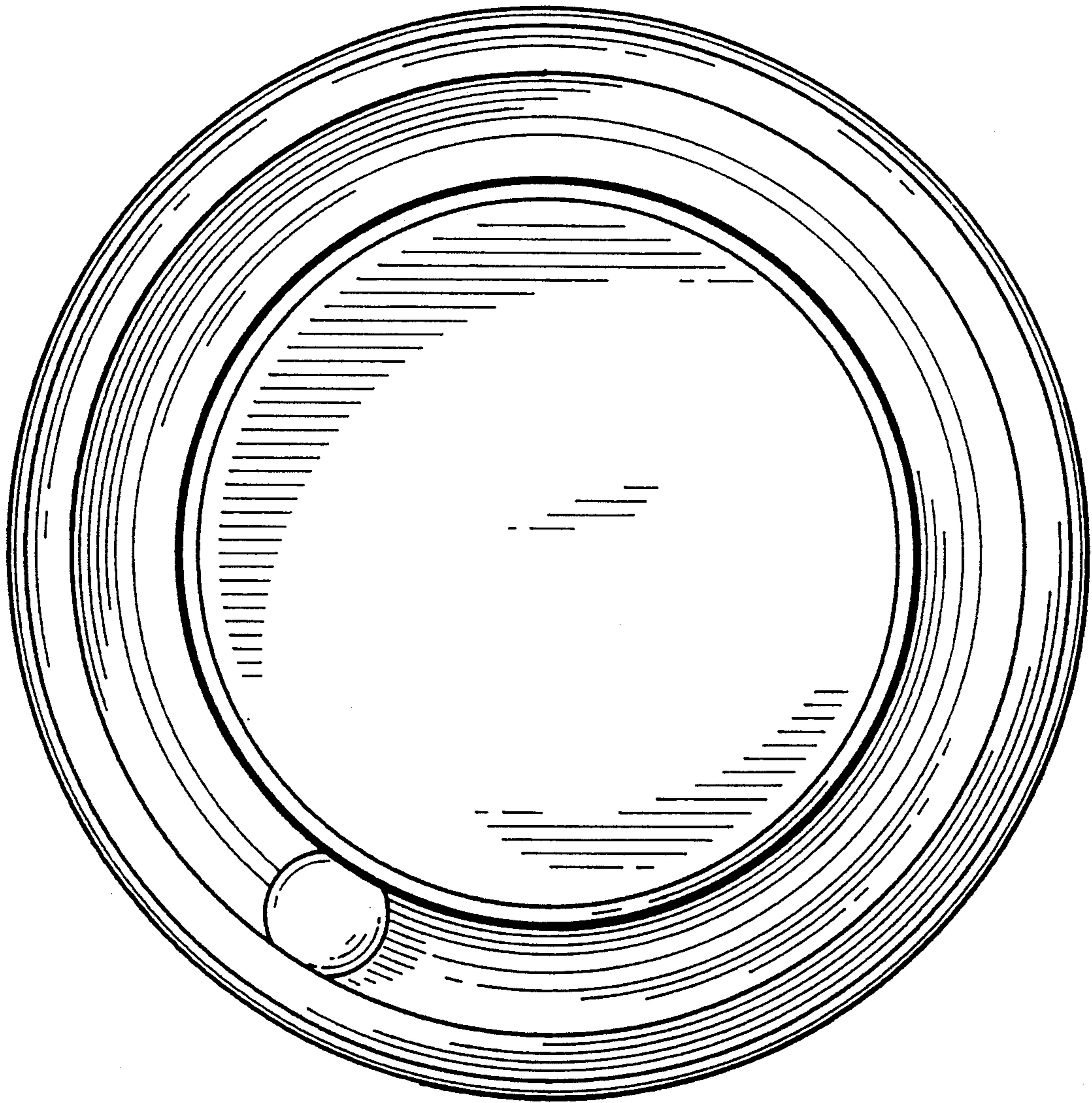


Fig. 2



*Fig. 3*



*Fig. 4*

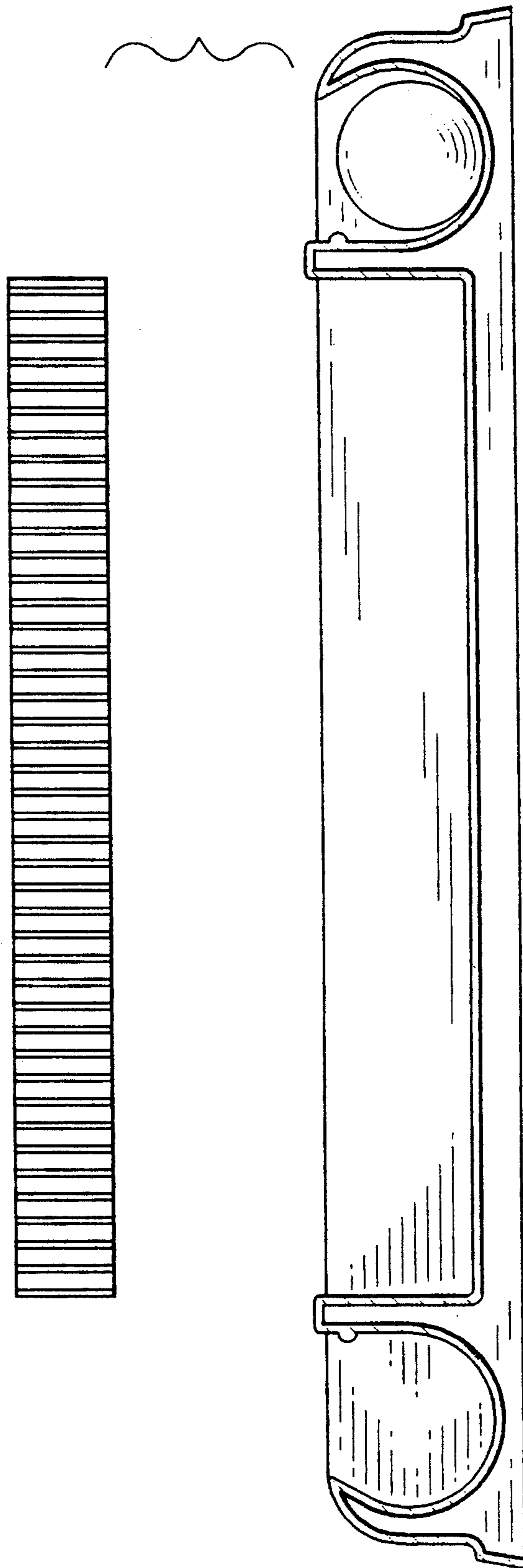


Fig. 5