



US00D345628S

United States Patent [19]

[11] Patent Number: **Des. 345,628**

Pacio

[45] Date of Patent: **** Mar. 29, 1994**

[54] **ENCLOSED NAIL CLIPPER**

2,467,589 4/1949 Johansson 30/124 X
5,010,648 4/1991 Takigawa 30/28 X

[75] Inventor: **Edward C. Pacio**, 26931 Deerweed Trail, Calabasas Hills, Calif. 91301

Primary Examiner—Bernard Ansher

Assistant Examiner—C. Tuttle

[73] Assignee: **Edward C. Pacio**, Calabasas, Calif.

Attorney, Agent, or Firm—Blakely, Sokoloff, Taylor, Zafman

[**] Term: **14 Years**

[21] Appl. No.: **807,574**

[57] **CLAIM**

An ornamental design for an enclosed nail clipper, as shown and described.

[22] Filed: **Dec. 13, 1991**

[52] U.S. Cl. **D28/60**

[58] Field of Search 132/73, 73.5, 75, 75.4, 132/76.2; 30/26-28, 125; D28/56, 60, 62

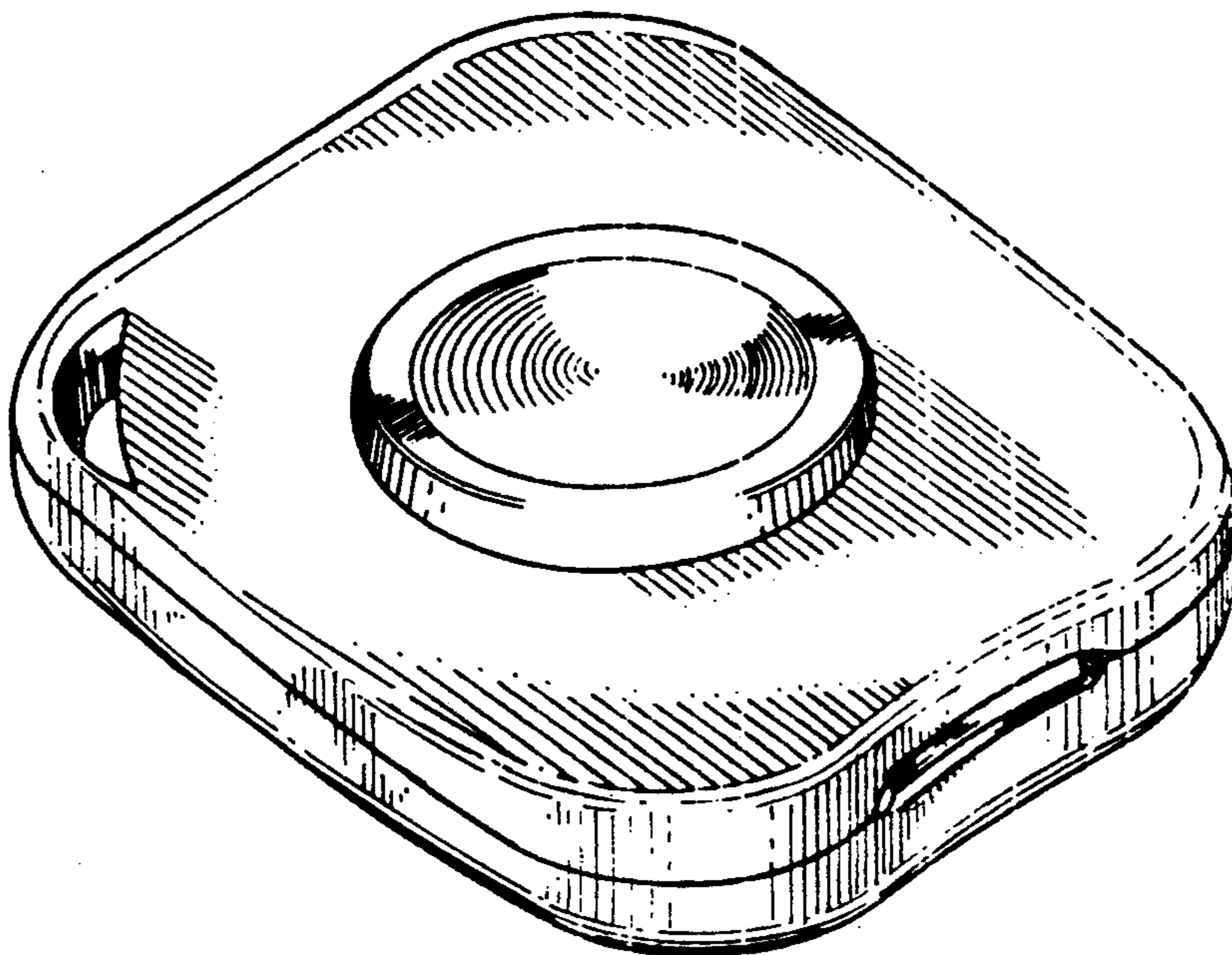
DESCRIPTION

FIG. 1 is a perspective view;
FIG. 2 is a top plan view;
FIG. 3 is a bottom plan view;
FIG. 4 is a front elevation view;
FIG. 5 is a rear elevation view; and,
FIG. 6 is a side elevation view, the opposite side being a mirror image.

[56] **References Cited**

U.S. PATENT DOCUMENTS

Re. 15,663 7/1923 Landis 30/22
1,466,438 8/1923 Landis 30/26
1,604,728 10/1926 Pflantzer 132/75.8



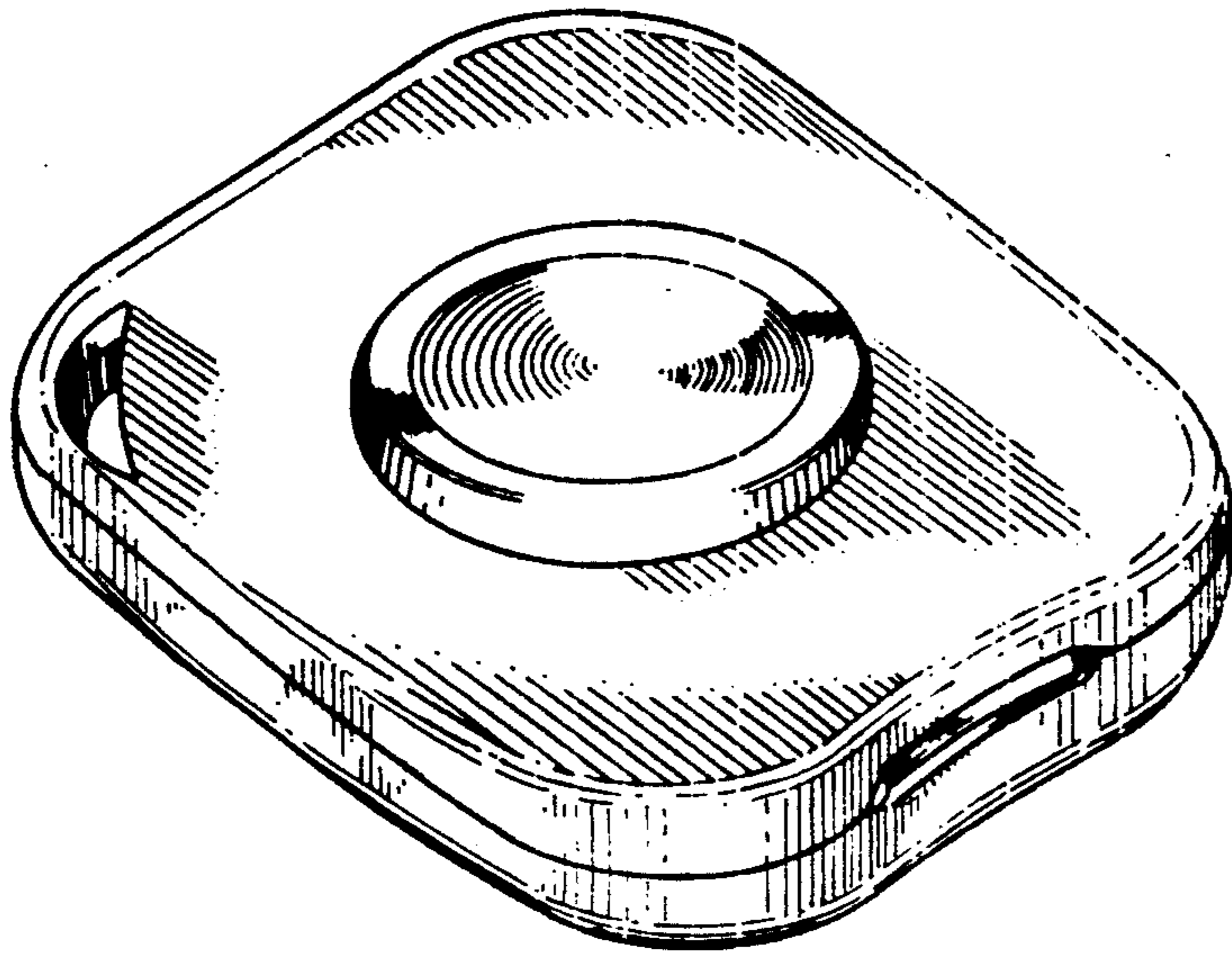


FIG. 1

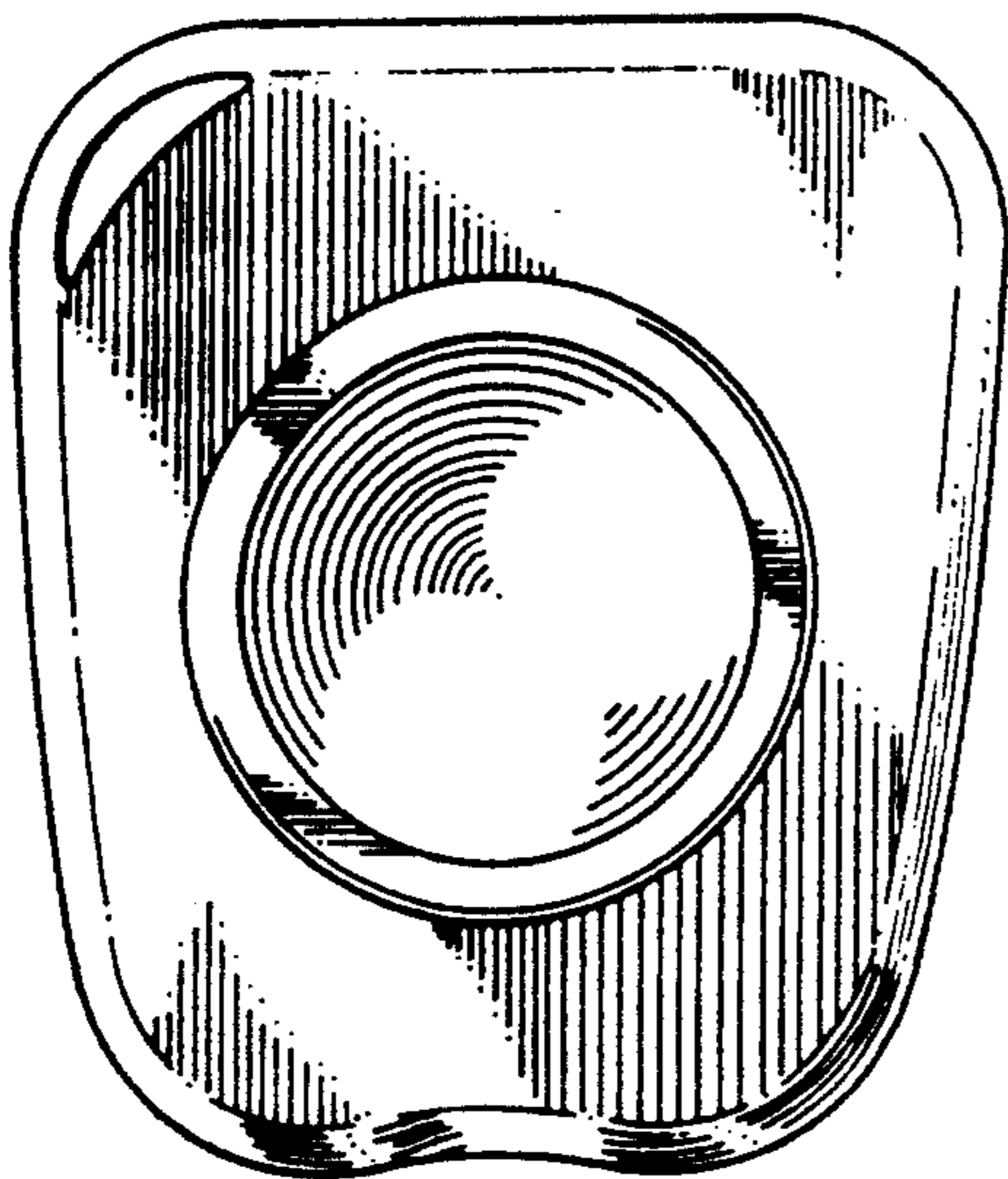


FIG. 2

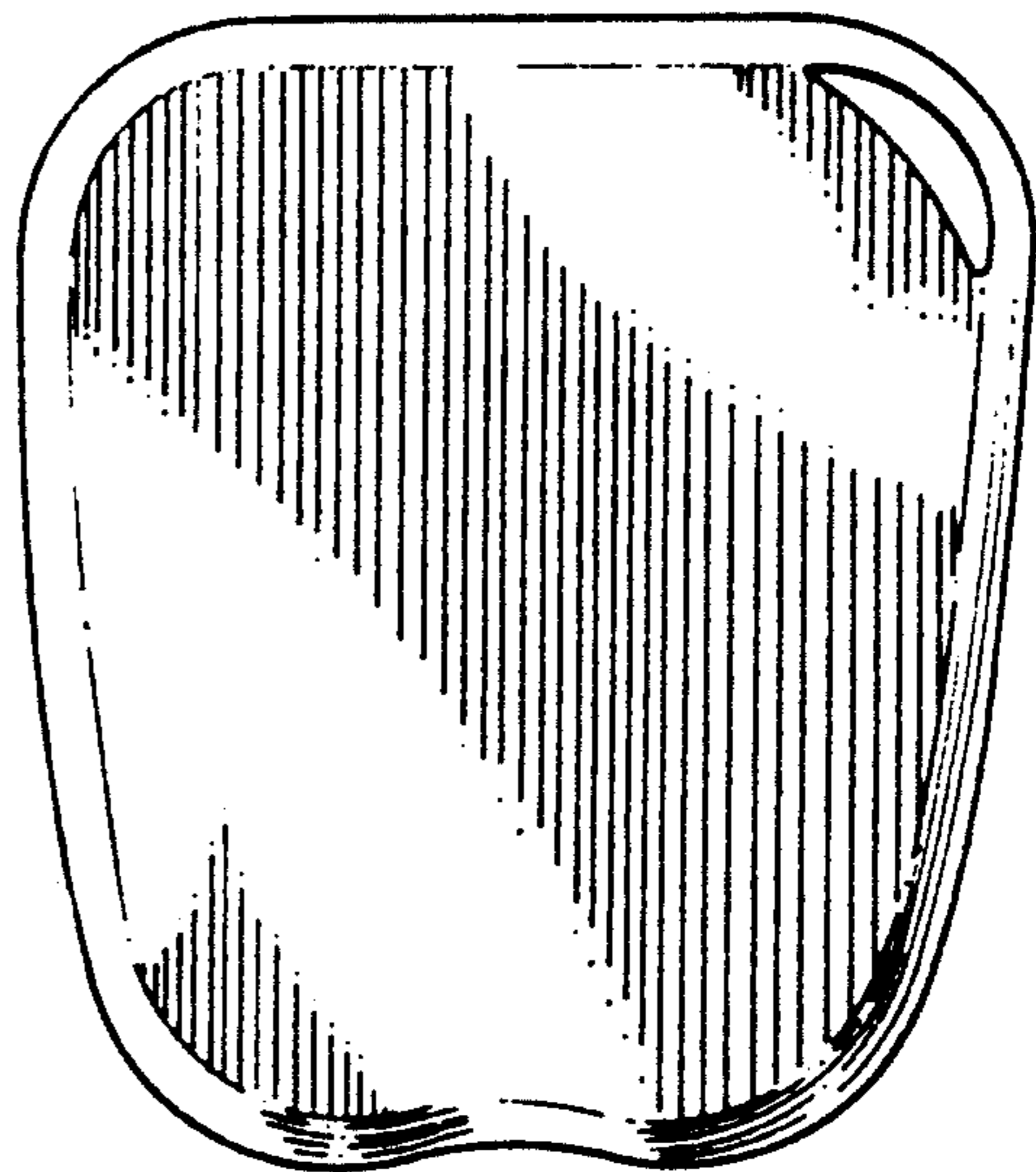


FIG. 3

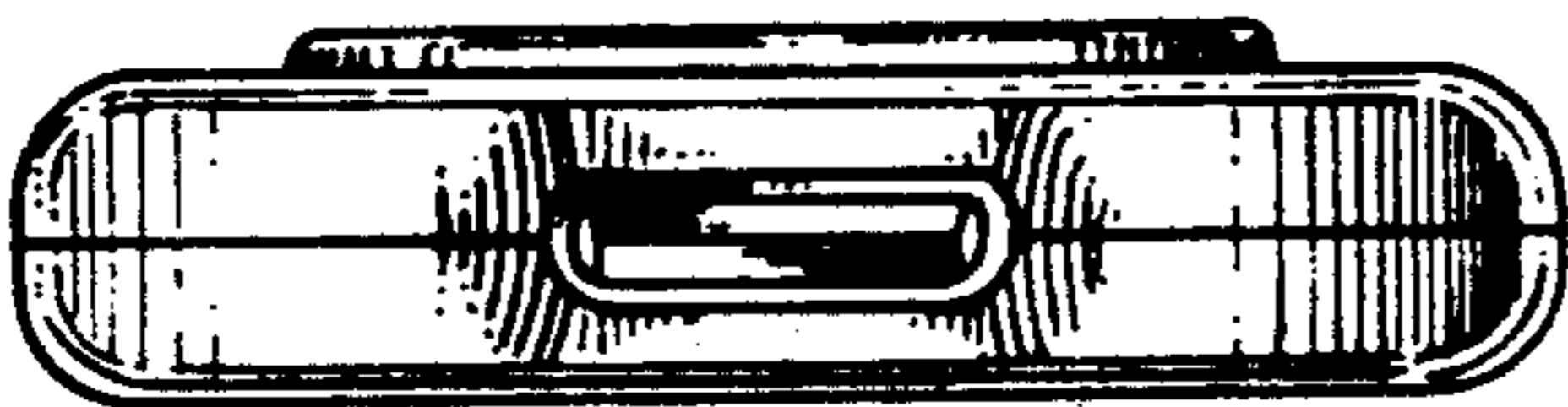


FIG. 4



FIG. 5



FIG. 6