



US00D345625S

United States Patent [19]

[11] Patent Number: **Des. 345,625**

Feil

[45] Date of Patent: **** Mar. 29, 1994**

[54] **HAIR DRYER**

4,918,289 4/1990 Ohlsen et al. 392/385 X
5,013,891 5/1991 Shoemaker 34/97 X

[75] Inventor: **Rolf Feil, Günzburg, Fed. Rep. of Germany**

FOREIGN PATENT DOCUMENTS

[73] Assignee: **Bosch-Siemens Hausgeraete GmbH, Munich, Fed. Rep. of Germany**

2232589 12/1990 United Kingdom 392/385

[**] Term: **14 Years**

Primary Examiner—Bernard Ansher
Assistant Examiner—C. Tuttle
Attorney, Agent, or Firm—Herbert L. Lerner; Laurence A. Greenberg

[21] Appl. No.: **750,008**

[22] Filed: **Aug. 26, 1991**

[57] **CLAIM**

[52] U.S. Cl. **D28/13**

The ornamental design for a hair dryer, as shown and described.

[58] Field of Search 34/96-101;
392/384-385; D28/13-18

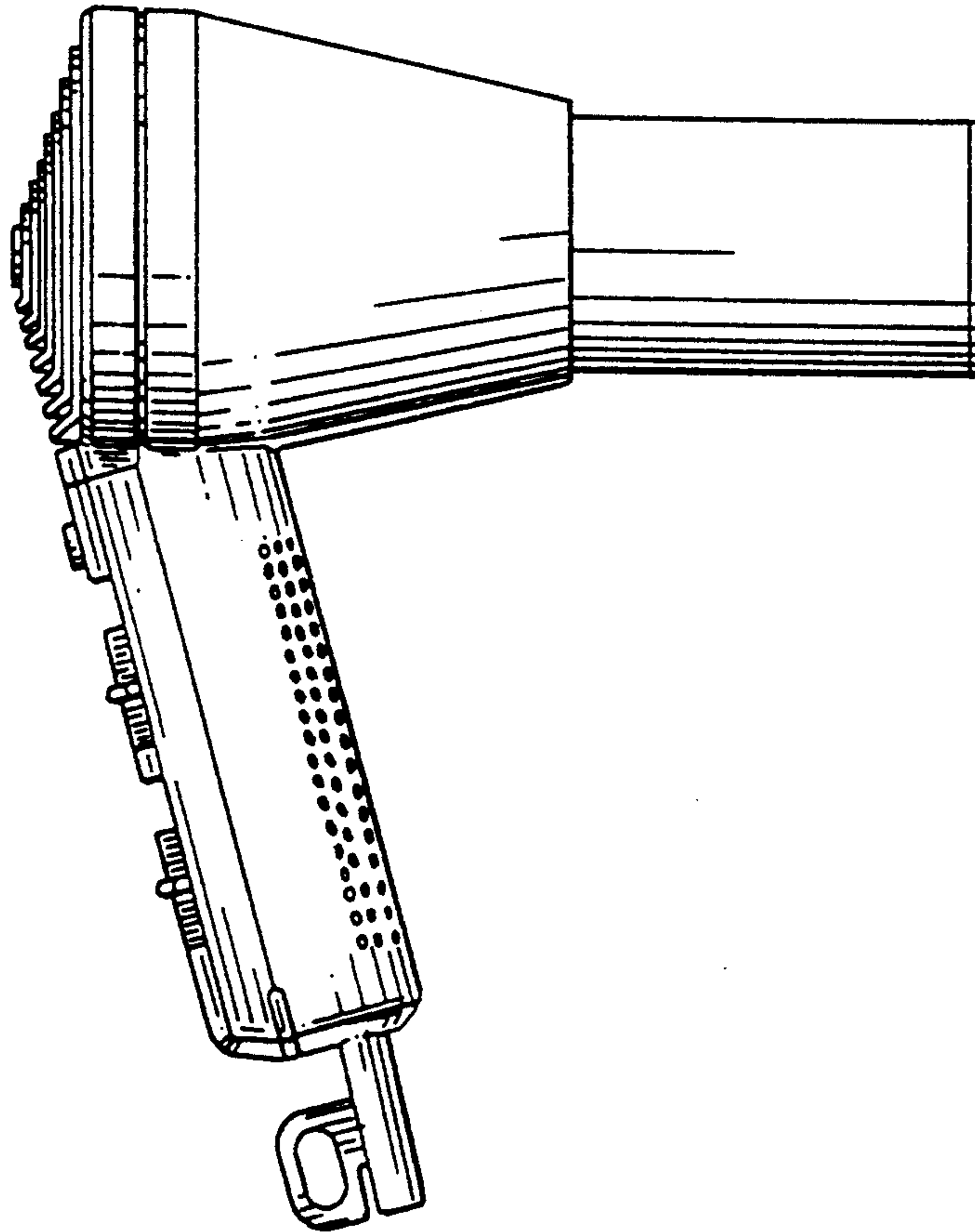
DESCRIPTION

[56] **References Cited**

U.S. PATENT DOCUMENTS

- D. 241,379 9/1976 Müller D28/15 X
- D. 278,085 3/1985 Rittenhouse et al. D28/13
- D. 283,259 4/1986 Stansbury, Jr. D28/13
- D. 286,209 10/1986 Camens D28/13
- D. 300,064 2/1989 Francis et al. D28/13

FIG. 1 is a front-elevational view of a hair dryer showing my new design;
FIG. 2 is a rear-elevational view thereof;
FIG. 3 is a side elevational view thereof which is a mirror image of the opposite side;
FIG. 4 is a top-plan view thereof; and,
FIG. 5 is a bottom-plan view thereof.



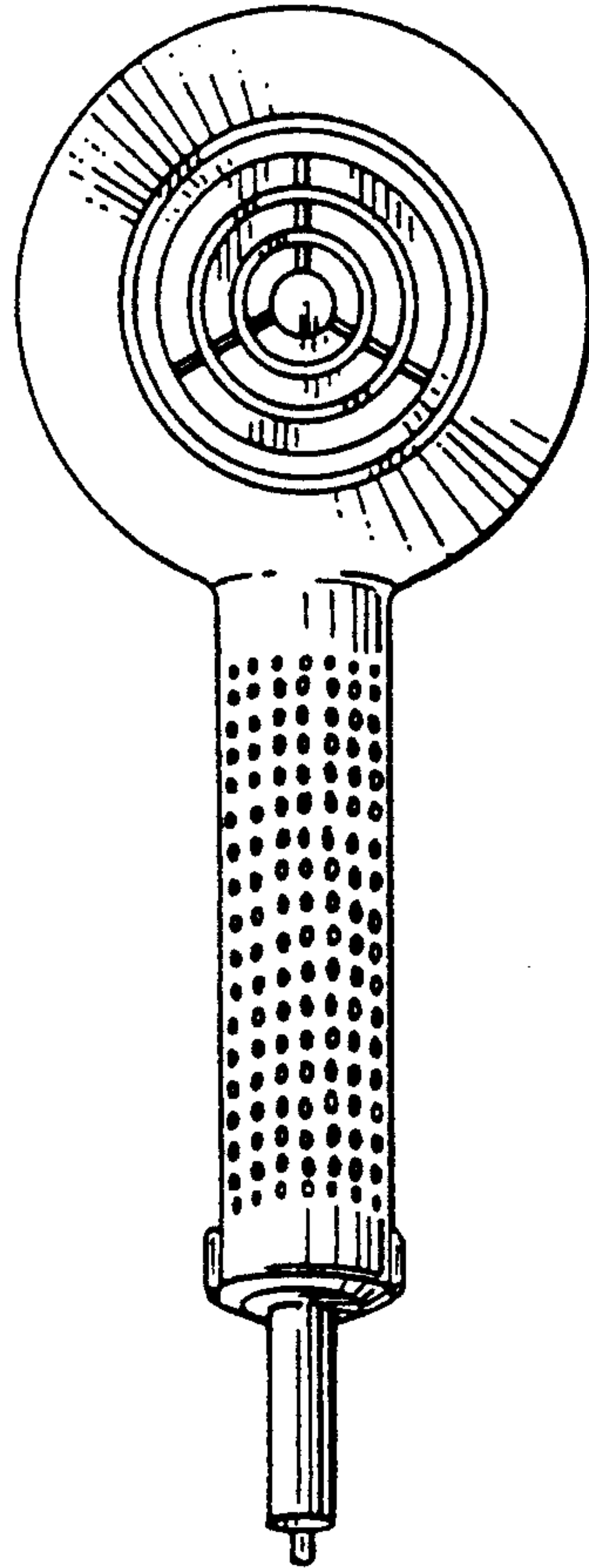


Fig. 1

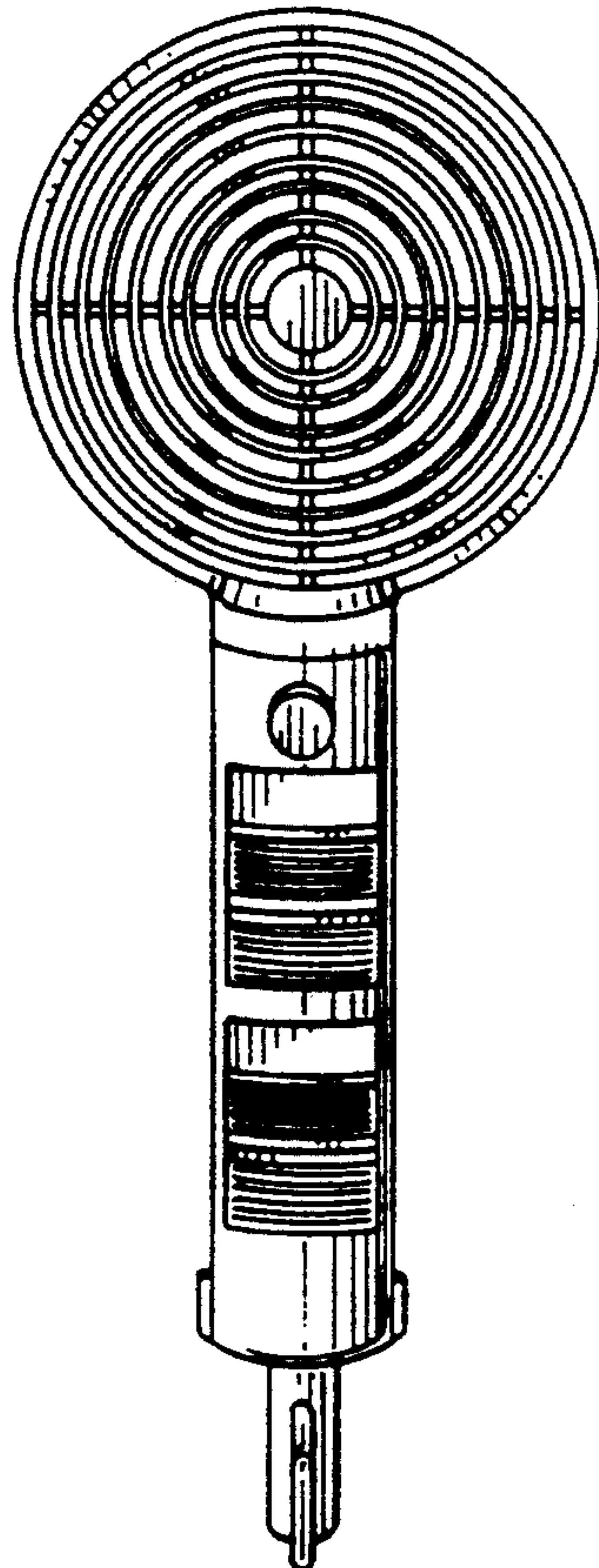


Fig. 2

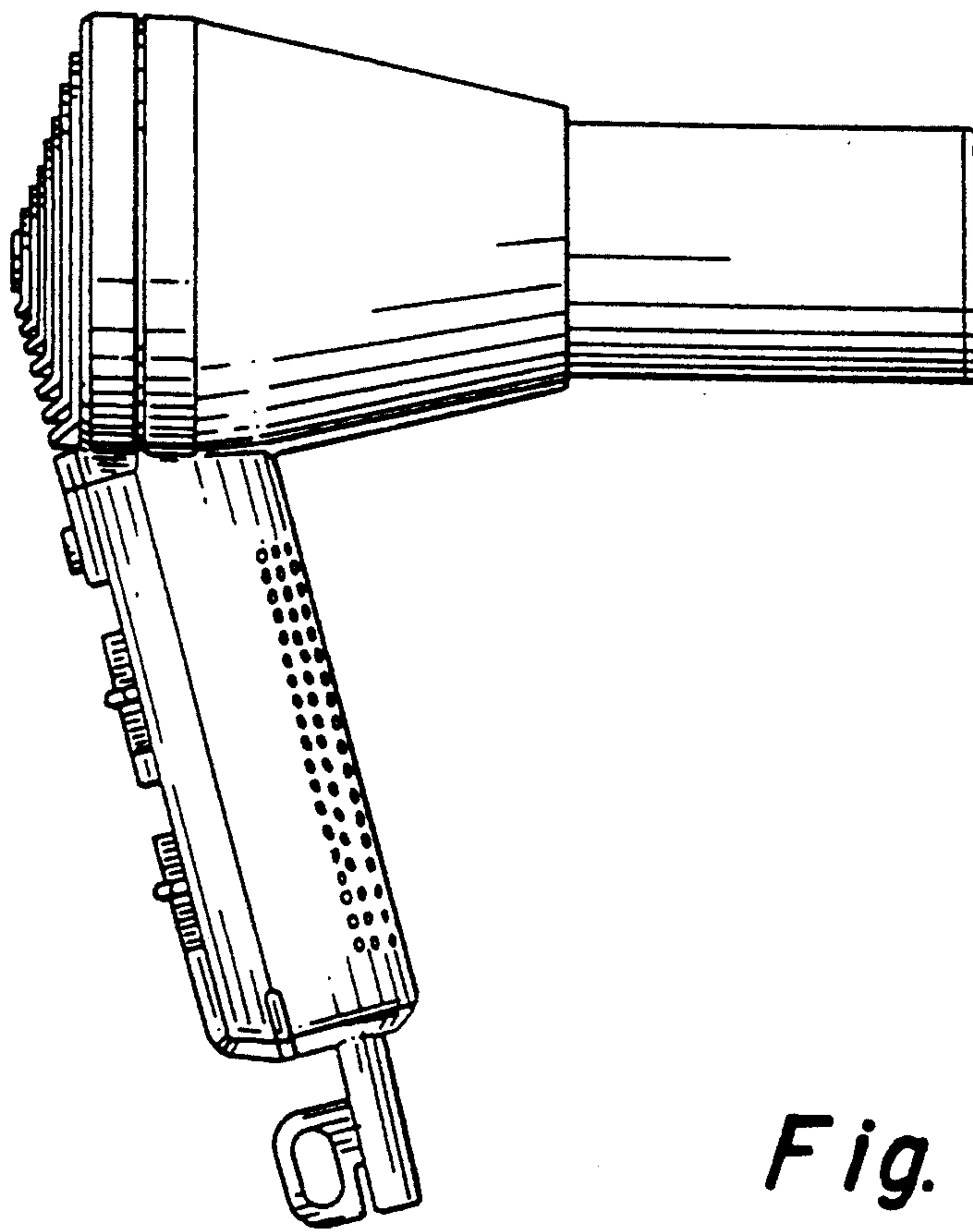


Fig. 3

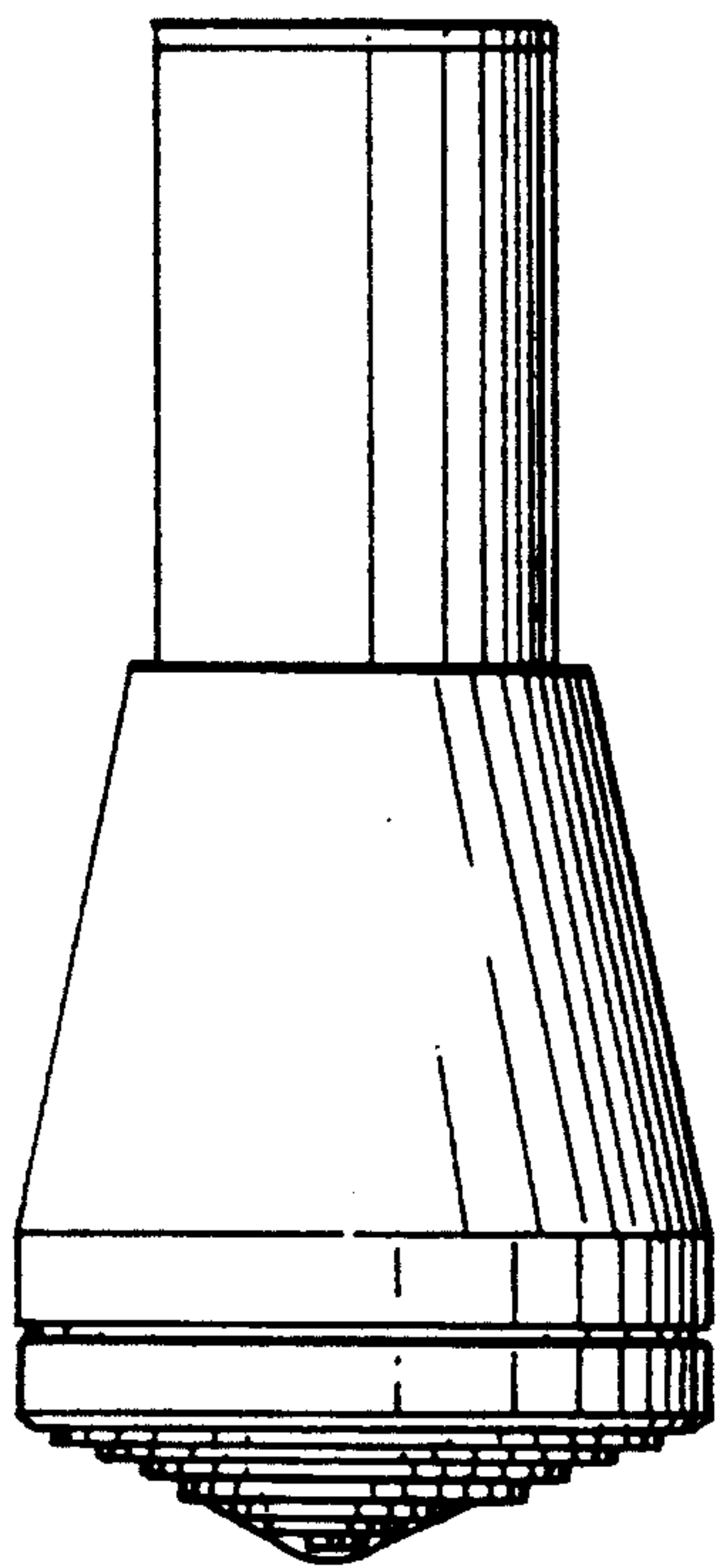


Fig. 4

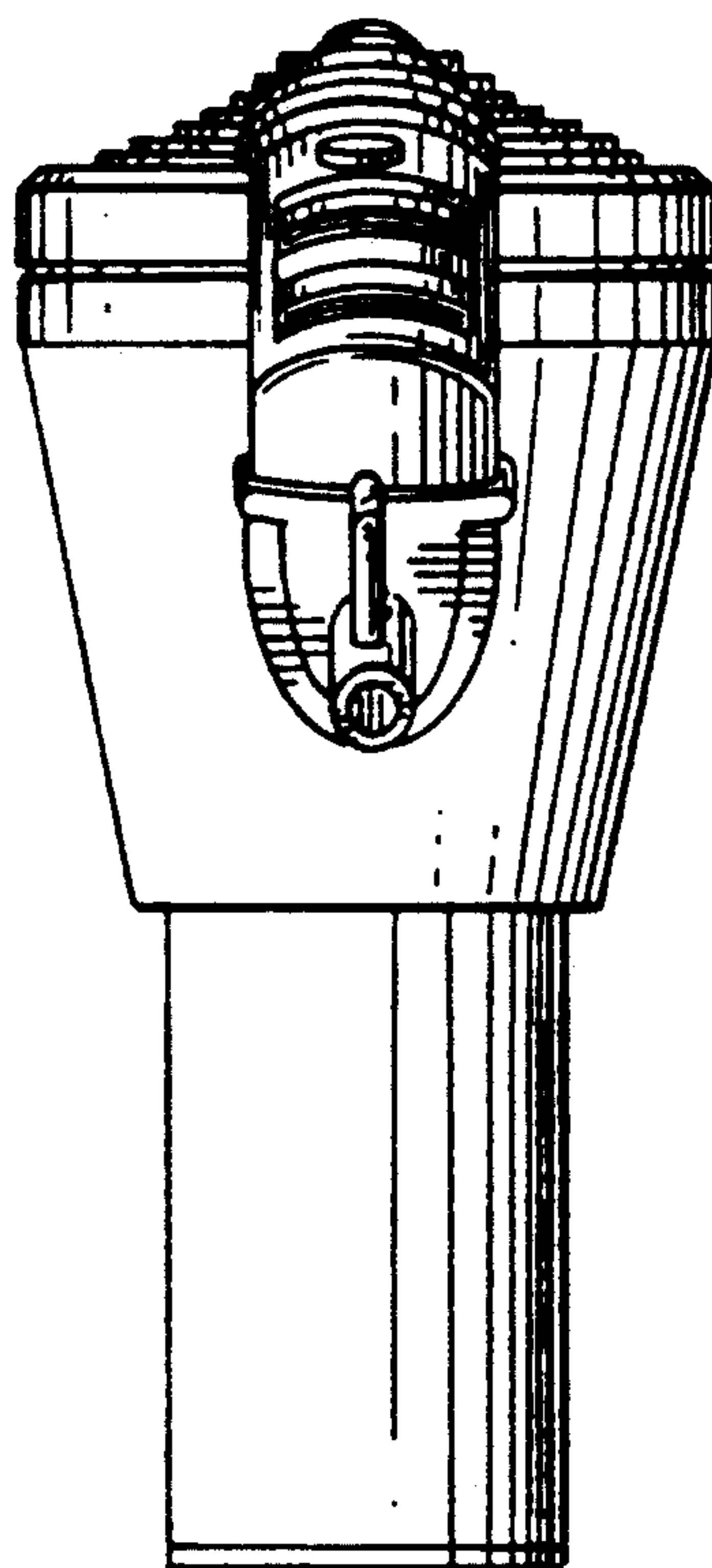


Fig. 5