



US00D345624S

United States Patent [19] Yang

[11] Patent Number: **Des. 345,624**
[45] Date of Patent: **** Mar. 29, 1994**

[54] **LIPSTICK CASE**

[76] Inventor: **Shen-Shyong Yang, No. 227-17, Tay-Tzyy-Miaw, Tay-Tzyy Tsuen, Ren-Der Shiang, Tainan Hsien, Taiwan**

[**] Term: **14 Years**

[21] Appl. No.: **875,137**

[22] Filed: **Apr. 29, 1992**

[52] U.S. Cl. **D28/87; D21/52**

[58] Field of Search **D9/307, 338; 132/317, 132/318; 401/88, 89, 98; 206/385, 457; D28/85, 87, 89; D21/51, 52; D19/42, 82, 97; D11/157**

[56] **References Cited**

U.S. PATENT DOCUMENTS

| | | | |
|------------|---------|------------------|--------|
| D. 106,222 | 9/1937 | Terbey | D9/320 |
| D. 134,250 | 11/1942 | Botelho | D28/82 |
| D. 138,089 | 6/1944 | Negbavr | D21/52 |
| D. 148,178 | 12/1987 | McNaughton | D21/52 |
| D. 188,135 | 6/1960 | Koenig | D9/322 |
| D. 305,698 | 1/1990 | Chen | D28/87 |
| 2,309,000 | 1/1943 | Morrison | 401/61 |

2,521,168 9/1950 Houlihan 401/61

FOREIGN PATENT DOCUMENTS

770590 3/1957 United Kingdom 401/63

Primary Examiner—**B. J. Bullock**

Assistant Examiner—**C. Tuttle**

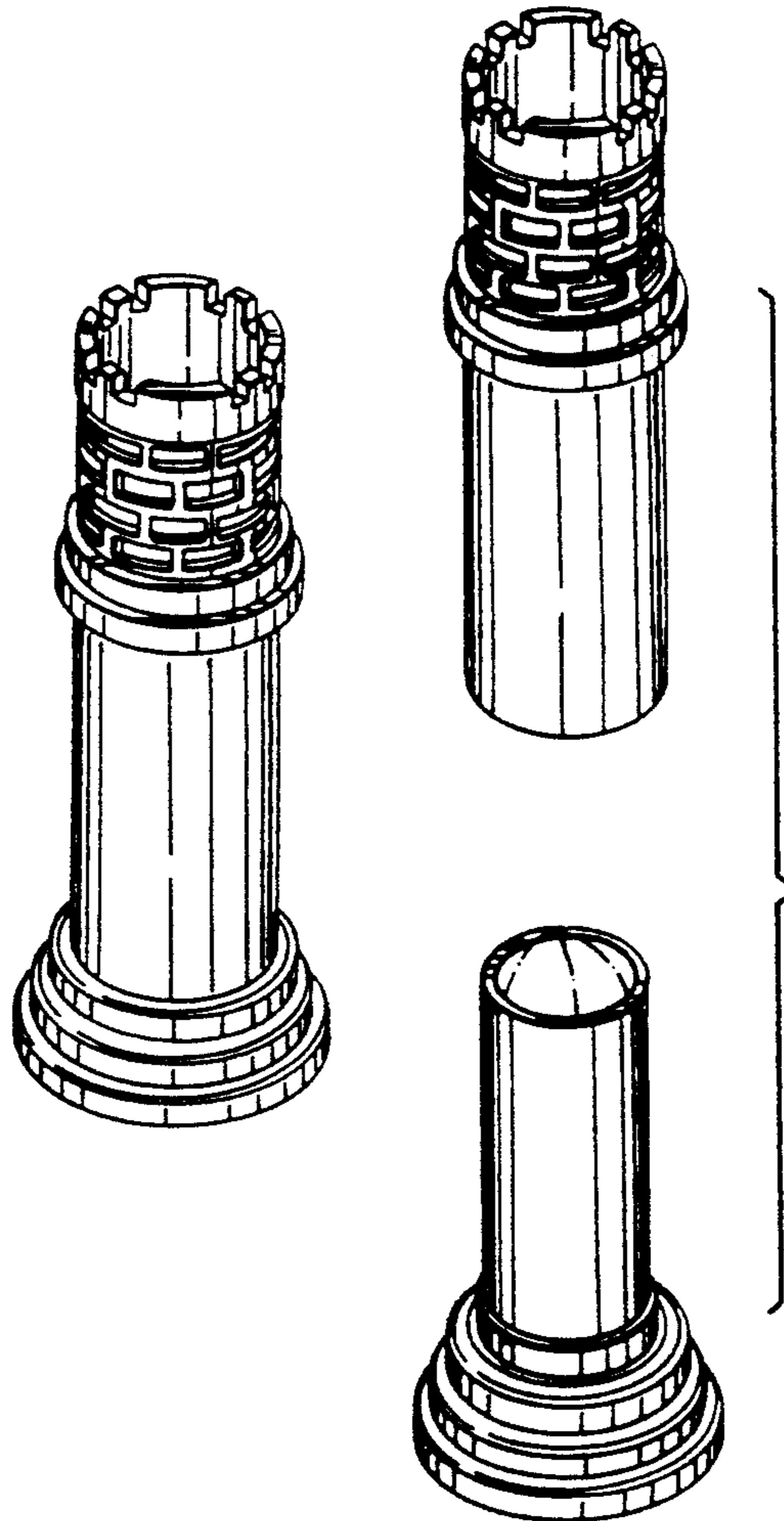
Attorney, Agent, or Firm—**Cushman, Darby & Cushman**

[57] **CLAIM**

The ornamental design for a lipstick case, as shown and described.

DESCRIPTION

FIG. 1 is a perspective view of a lipstick case showing my new design;
FIG. 2 is a front elevational view thereof, the rear elevational view, left side elevational view and right side elevational view appearing the same;
FIG. 3 is a top plan view thereof;
FIG. 4 is a bottom plan view thereof; and,
FIG. 5 is a perspective view shown in an open position. The broken line showing of lipstick in FIG. 5 is for illustrative purposes only and forms no part of the claimed design.



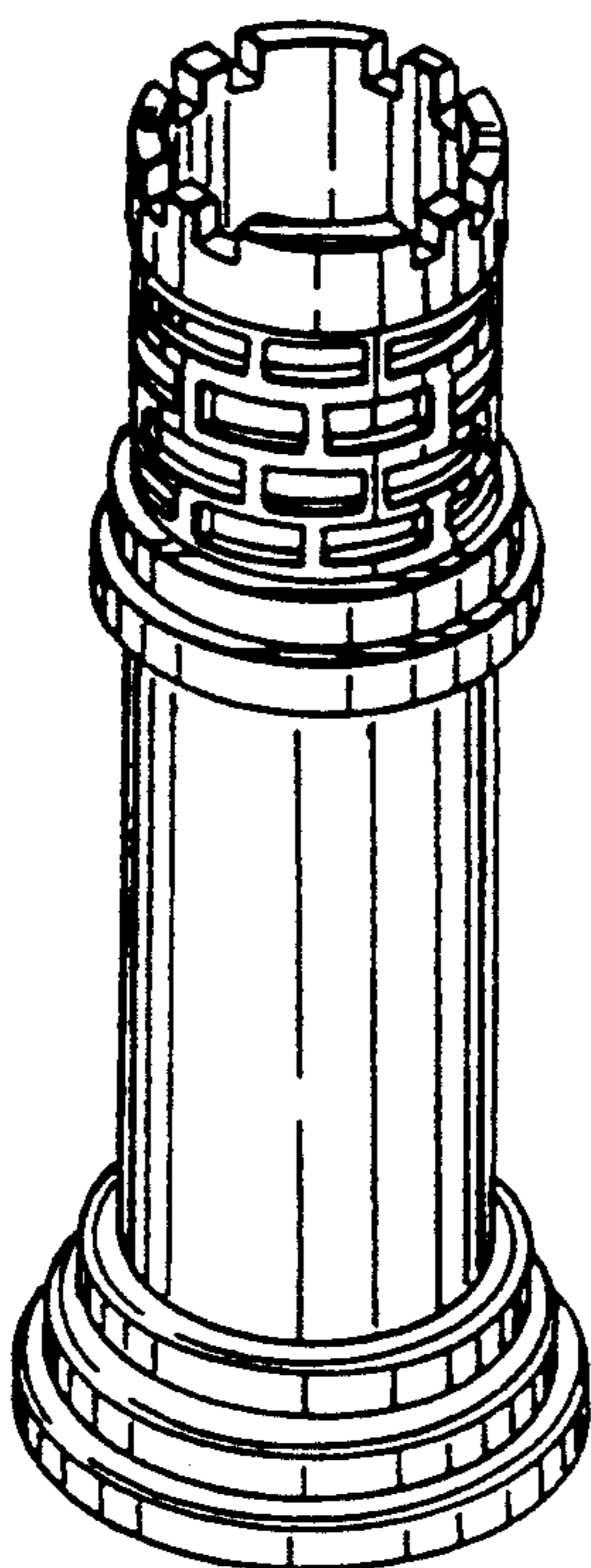


FIG. 1

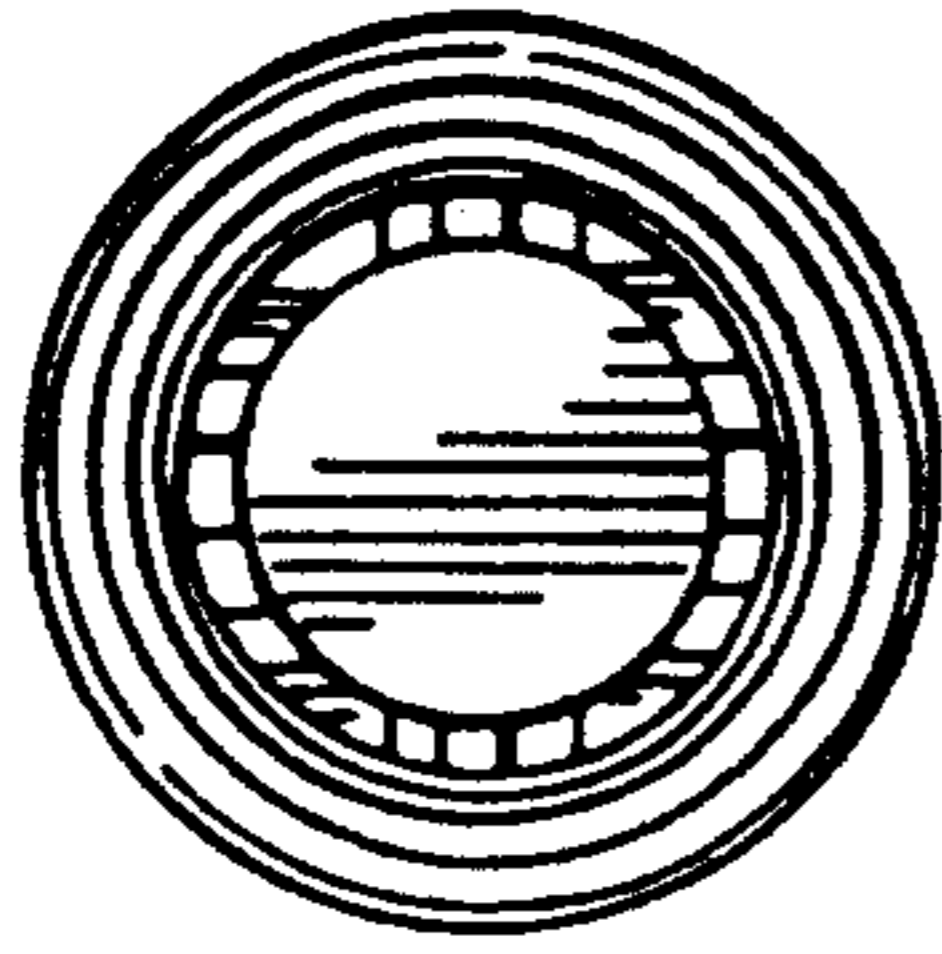


FIG. 3

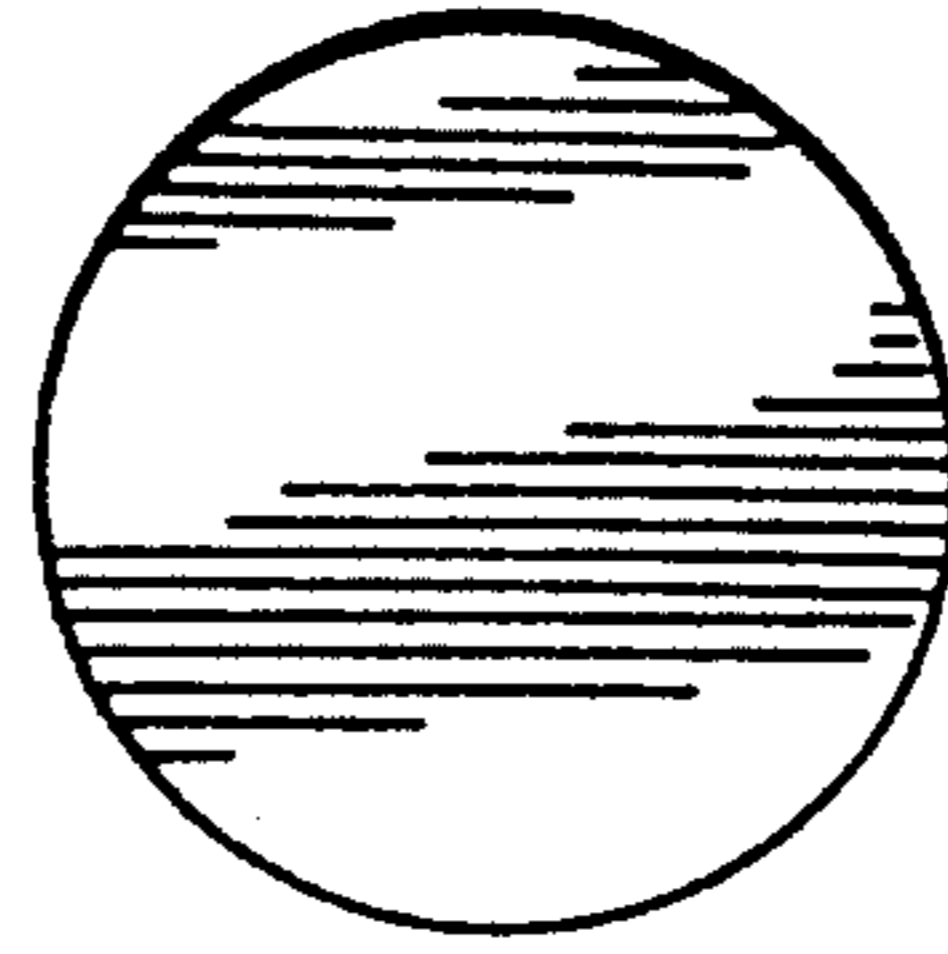


FIG. 4

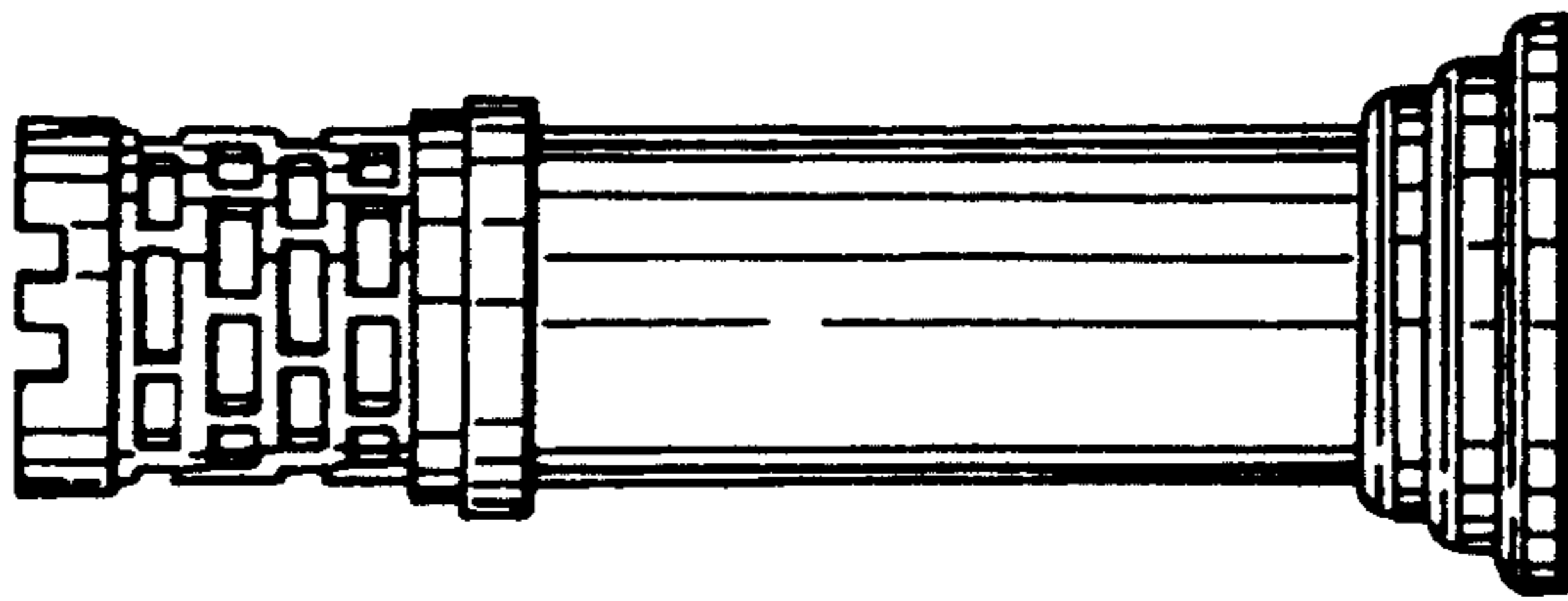


FIG. 2

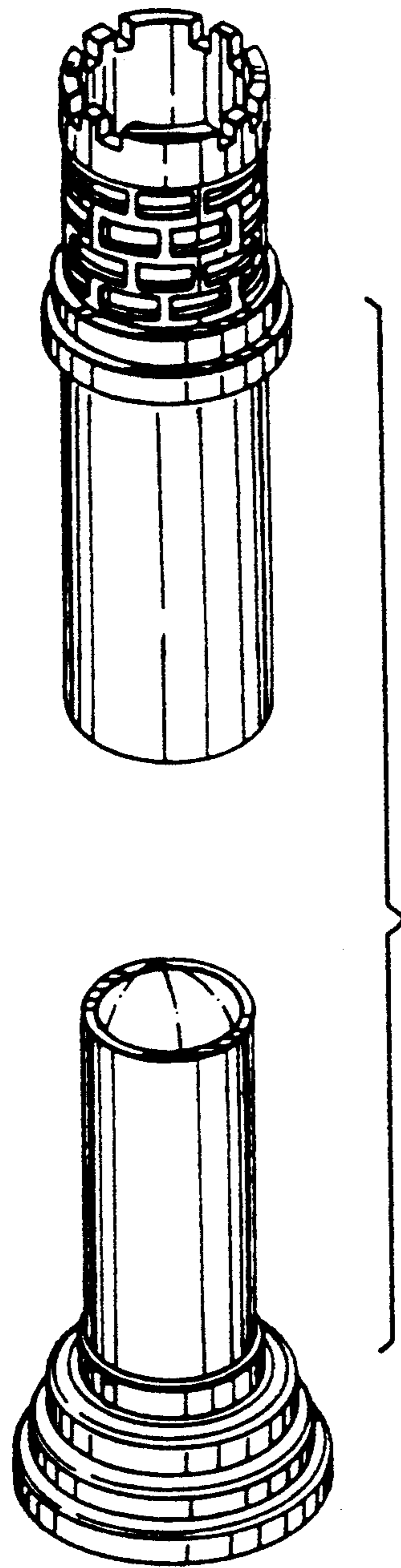


FIG. 5