



US00D345623S

United States Patent [19]

Yang

[11] Patent Number: Des. 345,623

[45] Date of Patent: ** Mar. 29, 1994

[54] LIPSTICK CASE

2,309,000 1/1943 Morrison 401/61
2,521,168 9/1950 Houlihan 401/61

[76] Inventor: **Shen-Shyong Yang**, No. 227-17,
Tay-Tzyy-Miaw, Tay-Tzyy Tsuen,
Ren-Der Shiang, Tainan Hsien,
Taiwan

FOREIGN PATENT DOCUMENTS

770590 of 1957 United Kingdom 401/63

[**] Term: 14 Years

Primary Examiner—B. J. Bullock

Assistant Examiner—C. Tuttle

[21] Appl. No.: 875,136

Attorney, Agent, or Firm—Cushman, Darby & Cushman

[22] Filed: Apr. 29, 1992

[57] CLAIM

[52] U.S. Cl. D28/87; D21/52

The ornamental design for a lipstick case, as shown and described.

[58] Field of Search D9/307, 338; 132/317,
132/318; 401/88, 89, 98; 206/385, 457; D7/515,
517, 591-599; D28/85, 87, 89; D21/51, 52;
D19/42, 82, 97; D11/157

DESCRIPTION

[56] References Cited

U.S. PATENT DOCUMENTS

D. 21,103 10/1891 Redlich D9/503
D. 106,452 10/1937 Renken D9/504 X
D. 114,677 5/1939 Jakway D9/307
D. 121,877 8/1940 Loewy D7/594 X
D. 134,250 11/1942 De Botecho D28/88
D. 230,185 1/1974 Silber D21/52 X
2,256,132 9/1941 Younghusband 132/318

FIG. 1 is a perspective view of a lipstick case showing my new design;

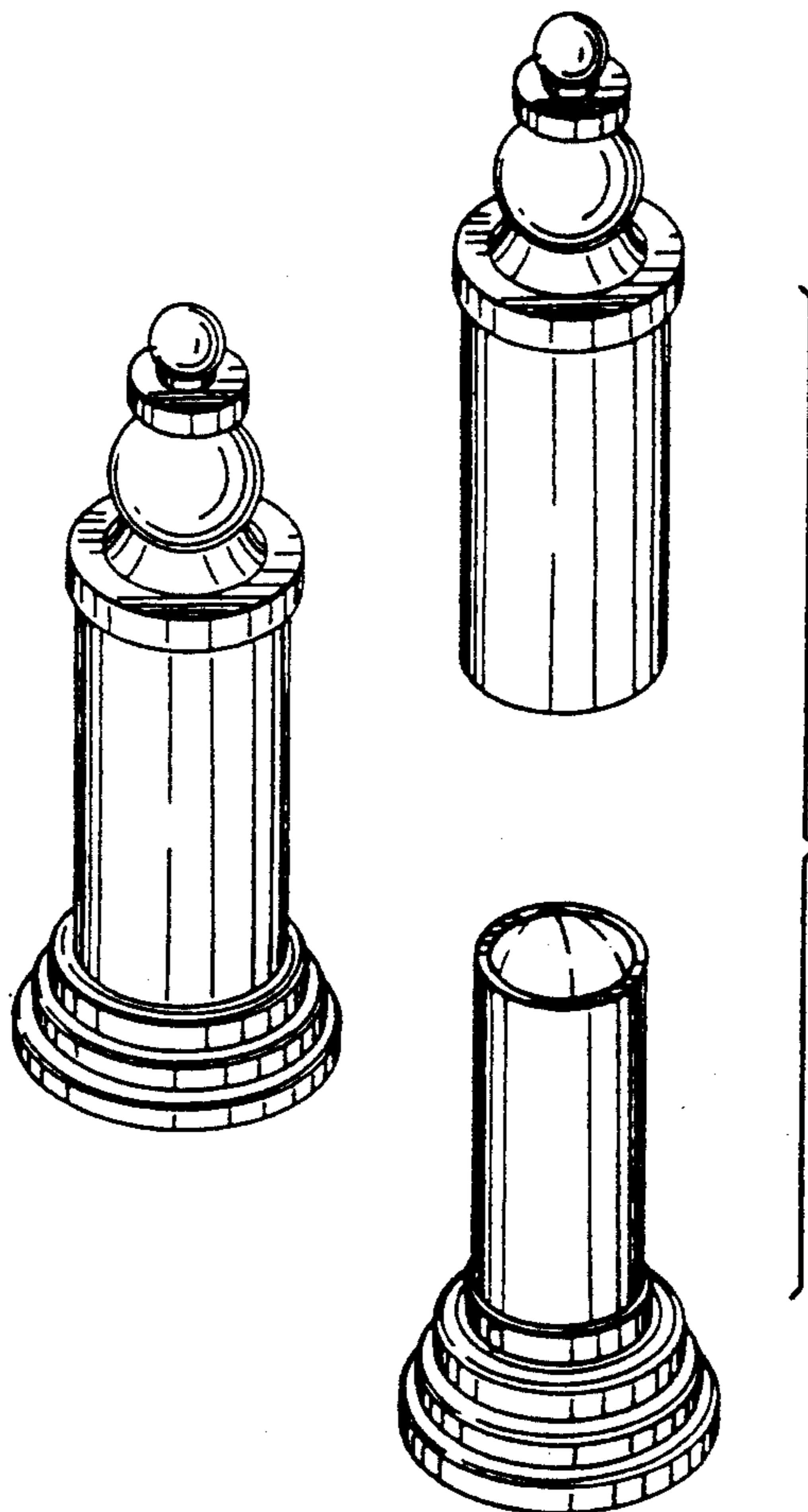
FIG. 2 is a front elevational view thereof, the rear elevational view, left side elevational view and right side elevational view appearing the same;

FIG. 3 is a top plan view thereof;

FIG. 4 is a bottom plan view thereof; and,

FIG. 5 is a perspective view shown in an open position.

The broken line showing of lipstick in FIG. 5 is for illustrative purposes only and forms no part of the claimed design.



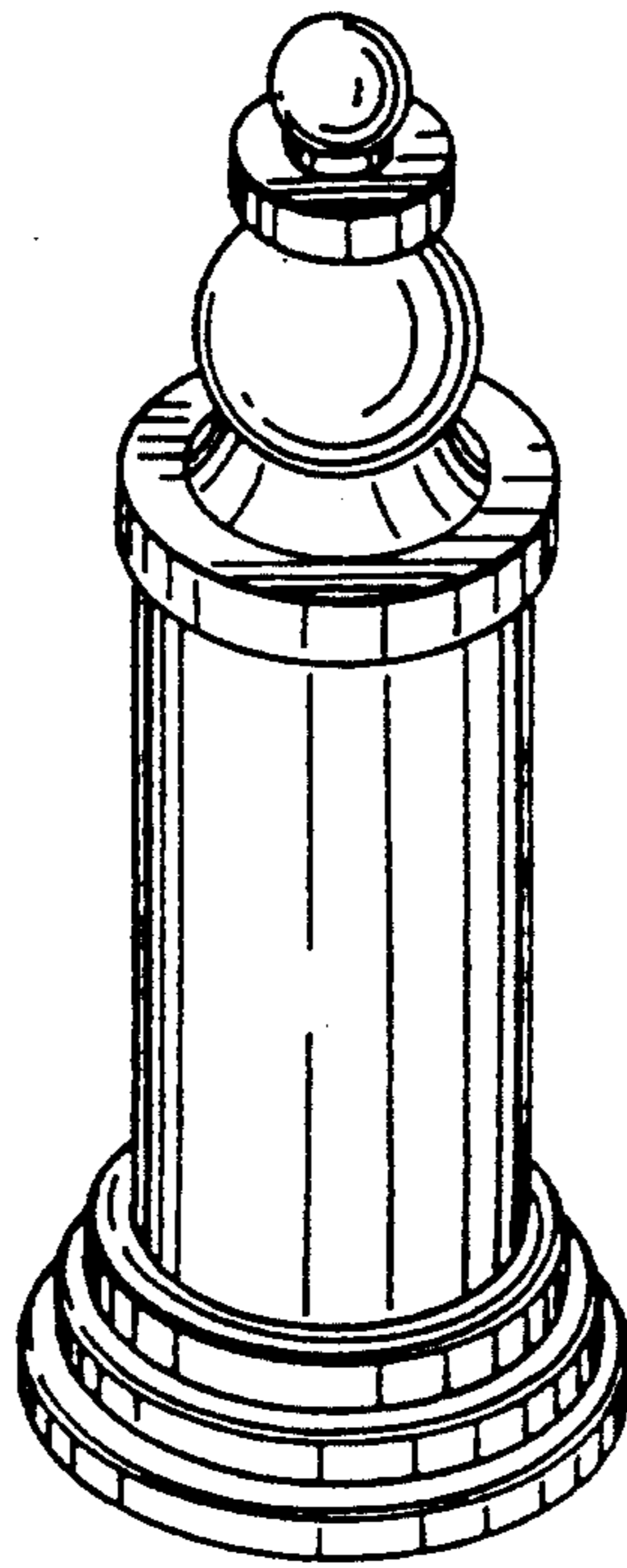


FIG. 1

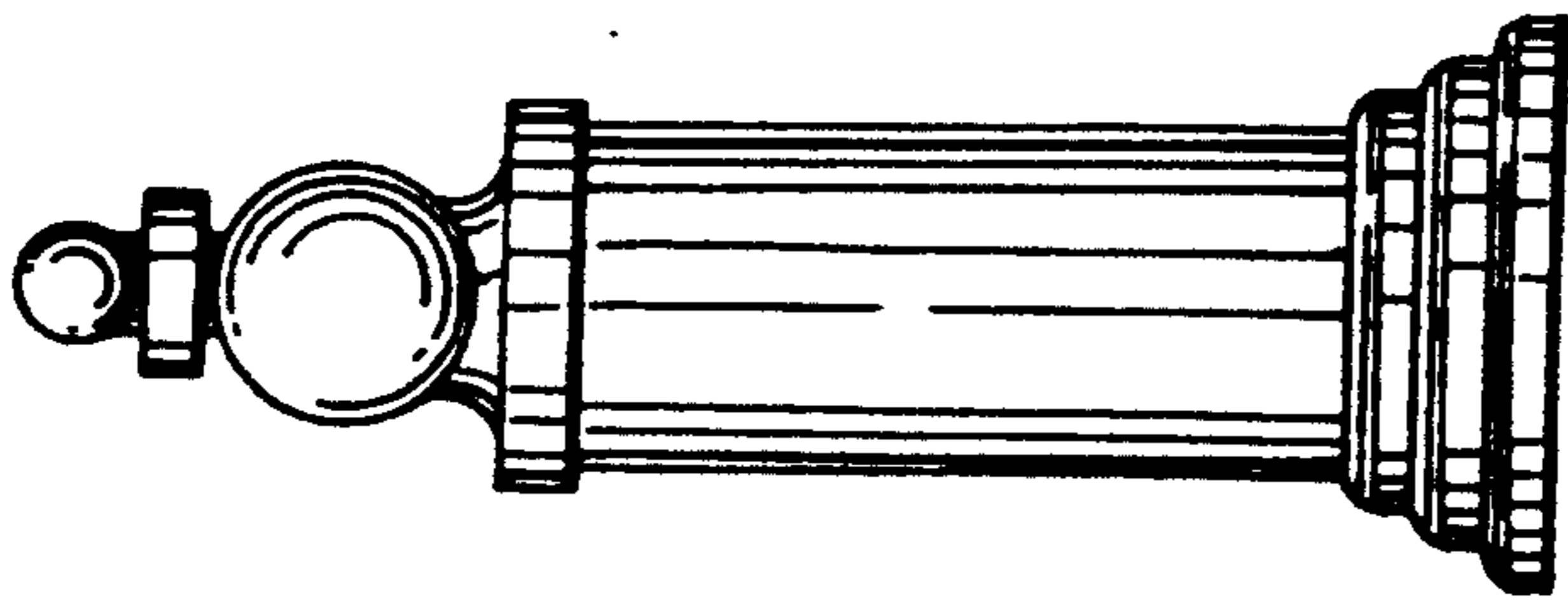


FIG. 2

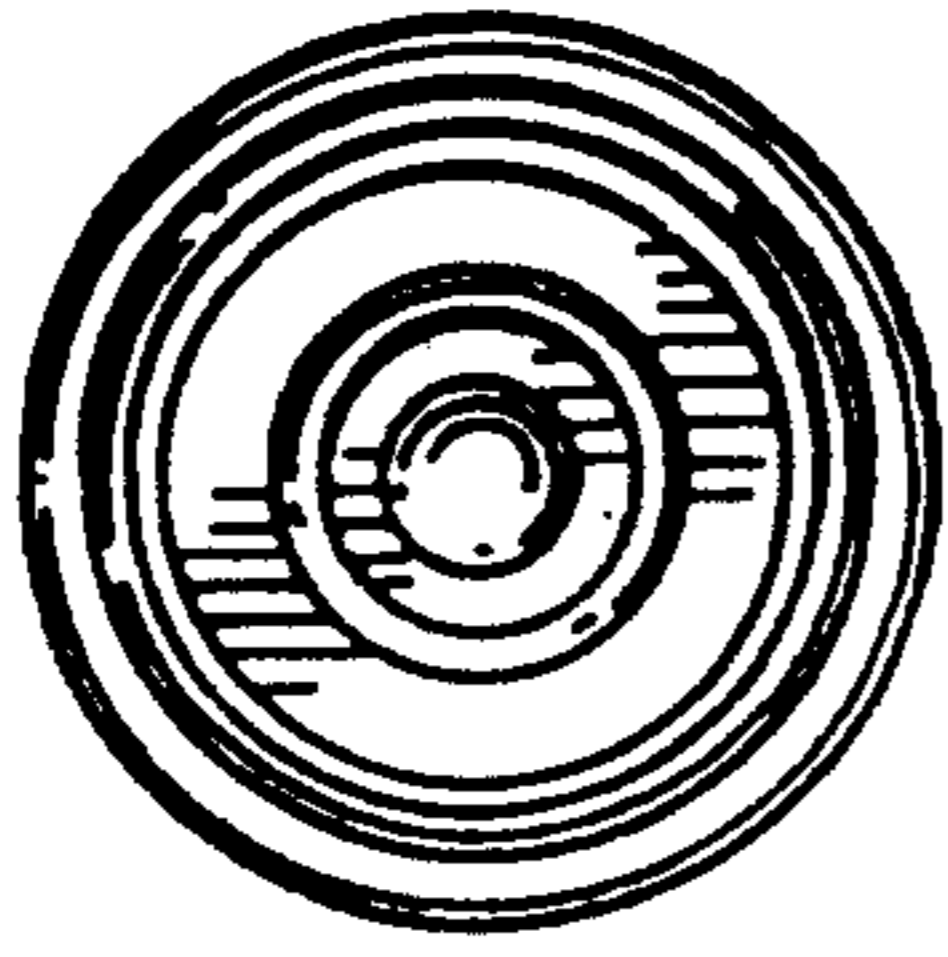


FIG. 3

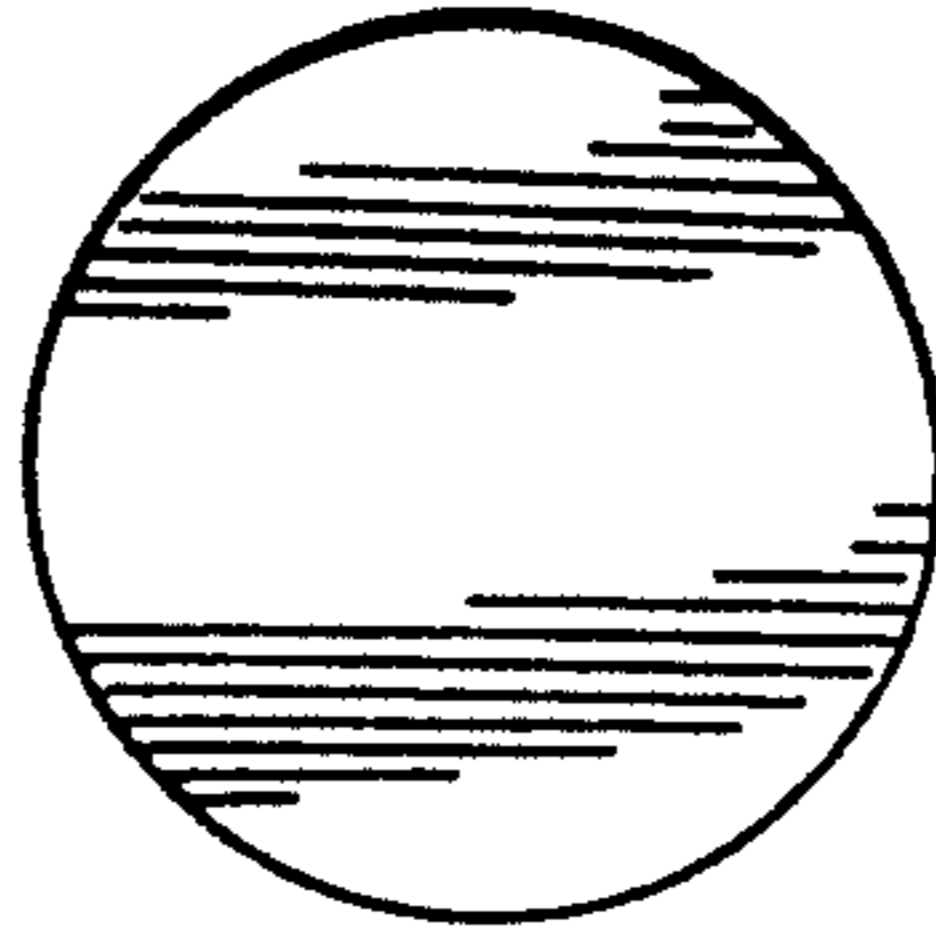


FIG. 4

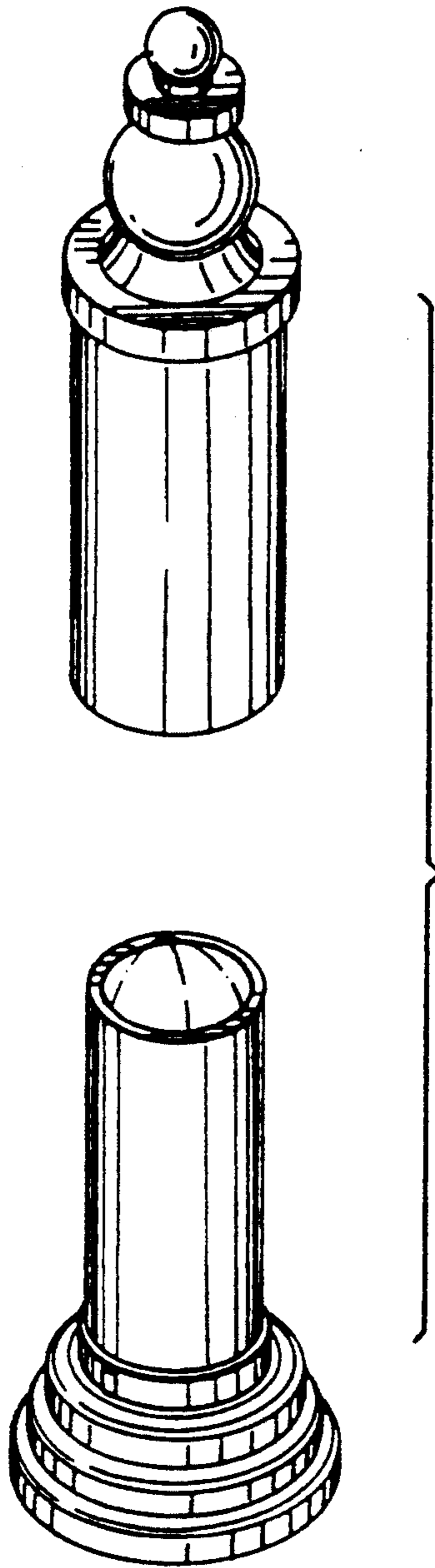


FIG. 5