



US00D345622S

United States Patent [19]

[11] Patent Number: **Des. 345,622**

Byars et al.

[45] Date of Patent: **** Mar. 29, 1994**

[54] **COSMETIC COMPACT**

[75] Inventors: **Tammye Byars, Cordova; Jerry W. Bonnot, Memphis; John M. B. Ford, Cordova, all of Tenn.**

[73] Assignee: **Maybelline, Inc., Memphis, Tenn.**

[**] Term: **14 Years**

[21] Appl. No.: **779,603**

[22] Filed: **Oct. 21, 1991**

[52] U.S. Cl. **D28/83**

[58] Field of Search **D9/341, 347, 418, 420, D9/423; 132/293, 294, 297, 313-317; 206/235, 581, 823; D28/76-84**

[56] **References Cited**

U.S. PATENT DOCUMENTS

D. 280,450	9/1985	Schefer	D28/78
D. 291,609	8/1987	Bakic	D28/83
D. 293,724	1/1988	Kingsford et al.	D28/83
D. 295,452	4/1988	Bakic	D28/83
D. 303,582	9/1989	Gavin	D28/78
D. 321,416	11/1991	Bakic	D28/83
D. 324,587	3/1992	Di Nuceio	D28/78

OTHER PUBLICATIONS

"Vogue" Jan. 1986, p. 275—compact in lower right corner.
 "Vogue" May 1988, p. 45—compact in lower right corner.
 "D and C.1." Apr. 1986, p. 66 left center of page; open compacts.
 Avon, campaign 3 of 1989, p. 33; duo, trio and quad silk finish compacts; and duo powder blush compact.

Mademoiselle, Jun. 1989, p. compact on lower right corner of page.

Mademoiselle, Dec. 1989, p. 16; compacts at center and bottom of page.

Beautiful Visions advertising circular; p. 24; compact with brush at center.

"Vogue," Sep. 1990, p. 105; compact on lower right.

Primary Examiner—B. J. Bullock

Assistant Examiner—C. Tuttle

Attorney, Agent, or Firm—Sherman and Shalloway

[57] **CLAIM**

The ornamental design for a cosmetic compact, as shown and described.

DESCRIPTION

FIG. 1 is a top plan view of a cosmetic compact showing our new design;

FIG. 2 is a top plan view of a second modified embodiment;

FIG. 3 is a bottom plan view of both embodiments;

FIG. 4 is a rear elevational view of both embodiments;

FIG. 5 is a front elevational view of both embodiments;

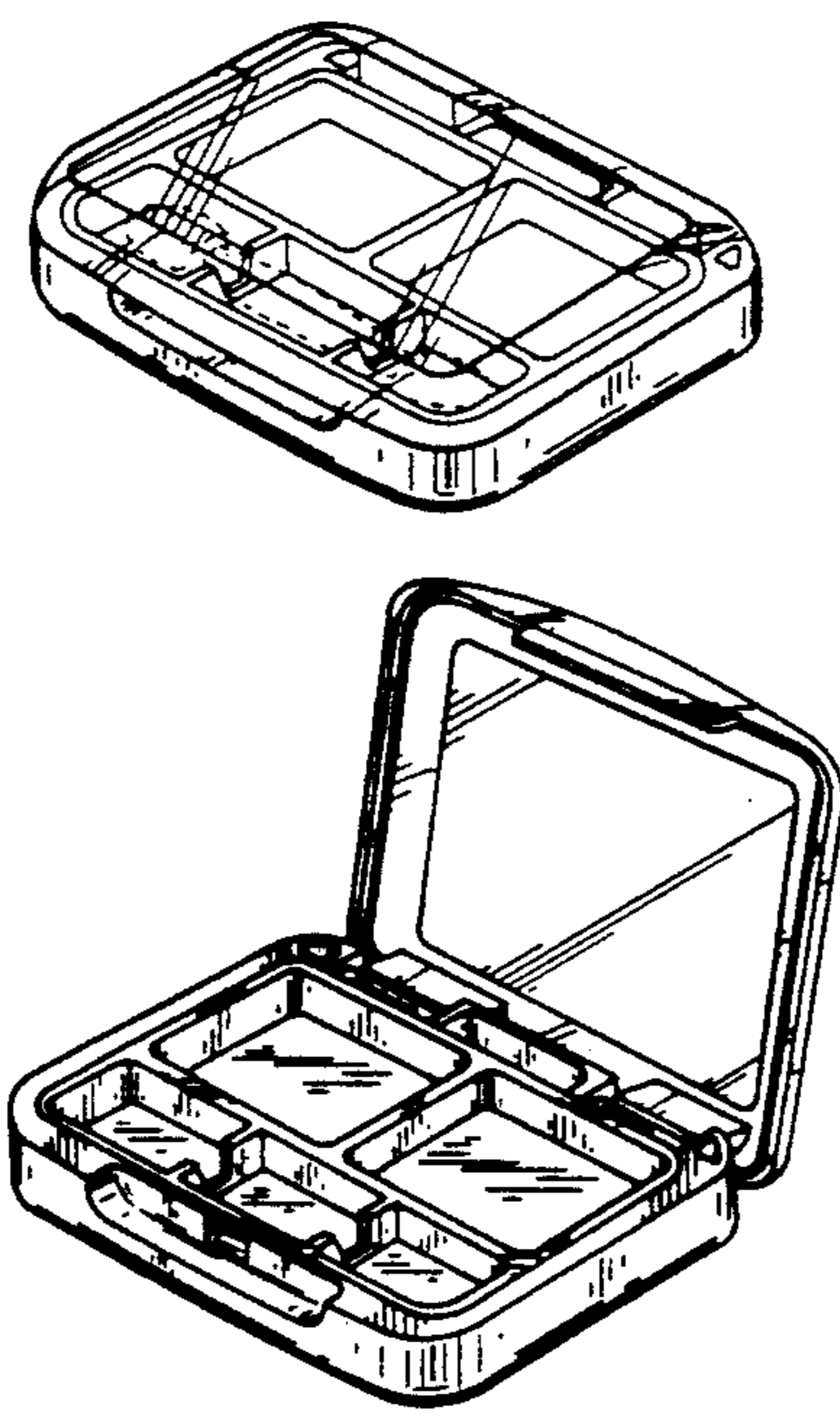
FIG. 6 is a left side elevational view of both embodiments, the side opposite being a mirror image of the side shown;

FIG. 7 is a perspective view of the first embodiment; and,

FIG. 8 is a perspective view thereof shown in an open condition.

The broken line showing of the makeup brush is for illustrative purposes only and forms no part of the claimed design.

The partially disclosed embodiment represented in FIG. 2 is identical in all respects to the first disclosed embodiment except for the number and arrangement of the interior compartments.



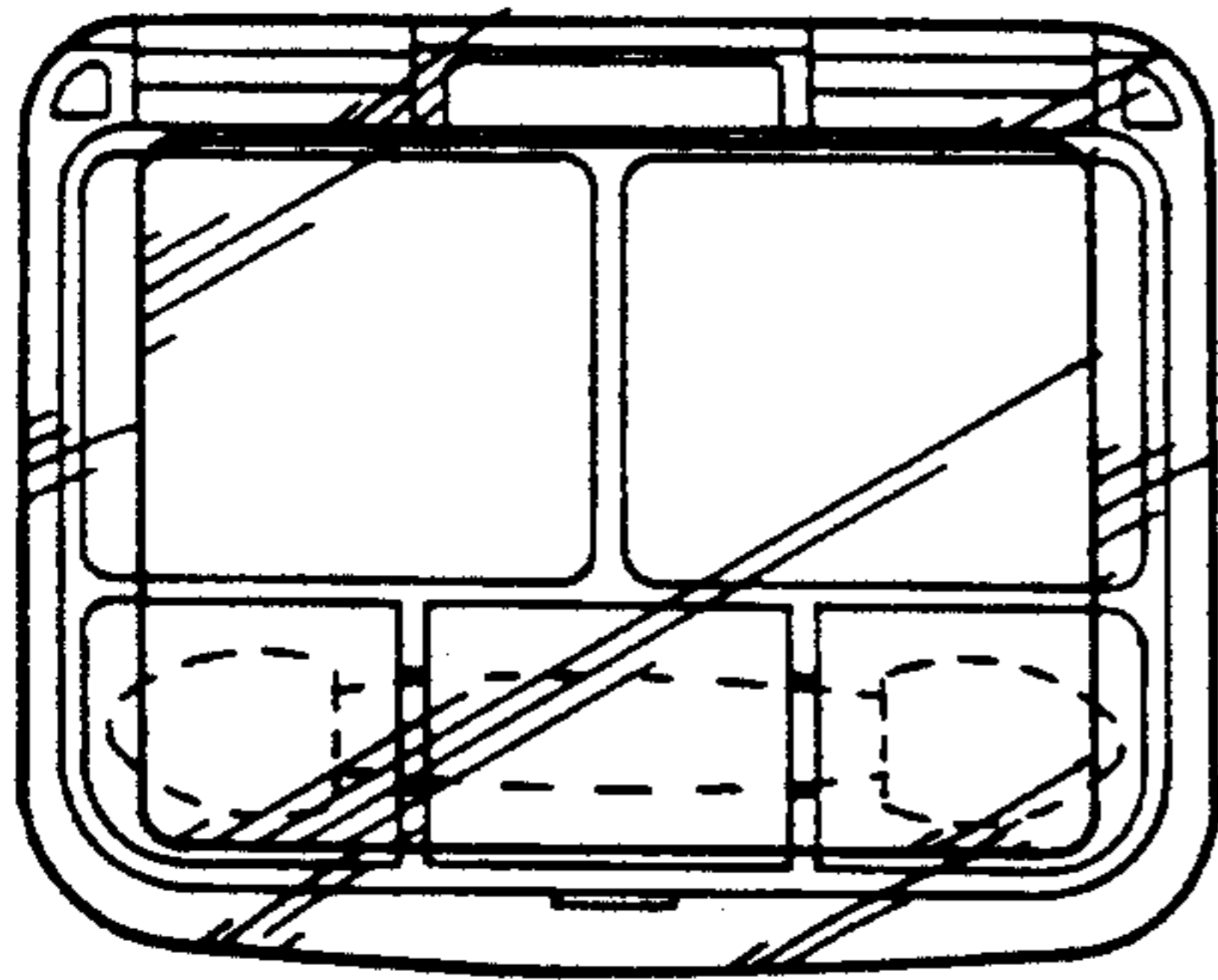


FIG. 1

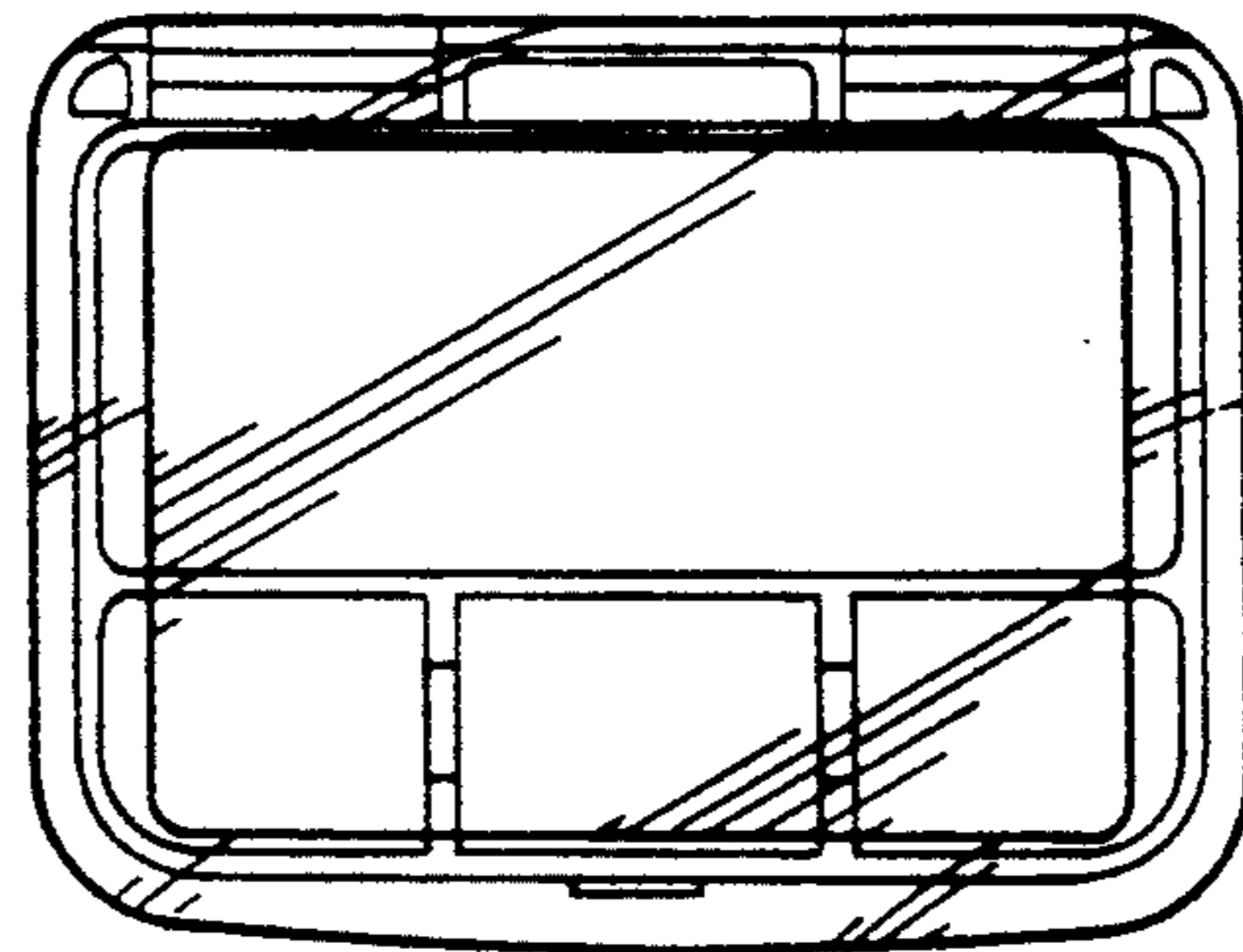


FIG. 2

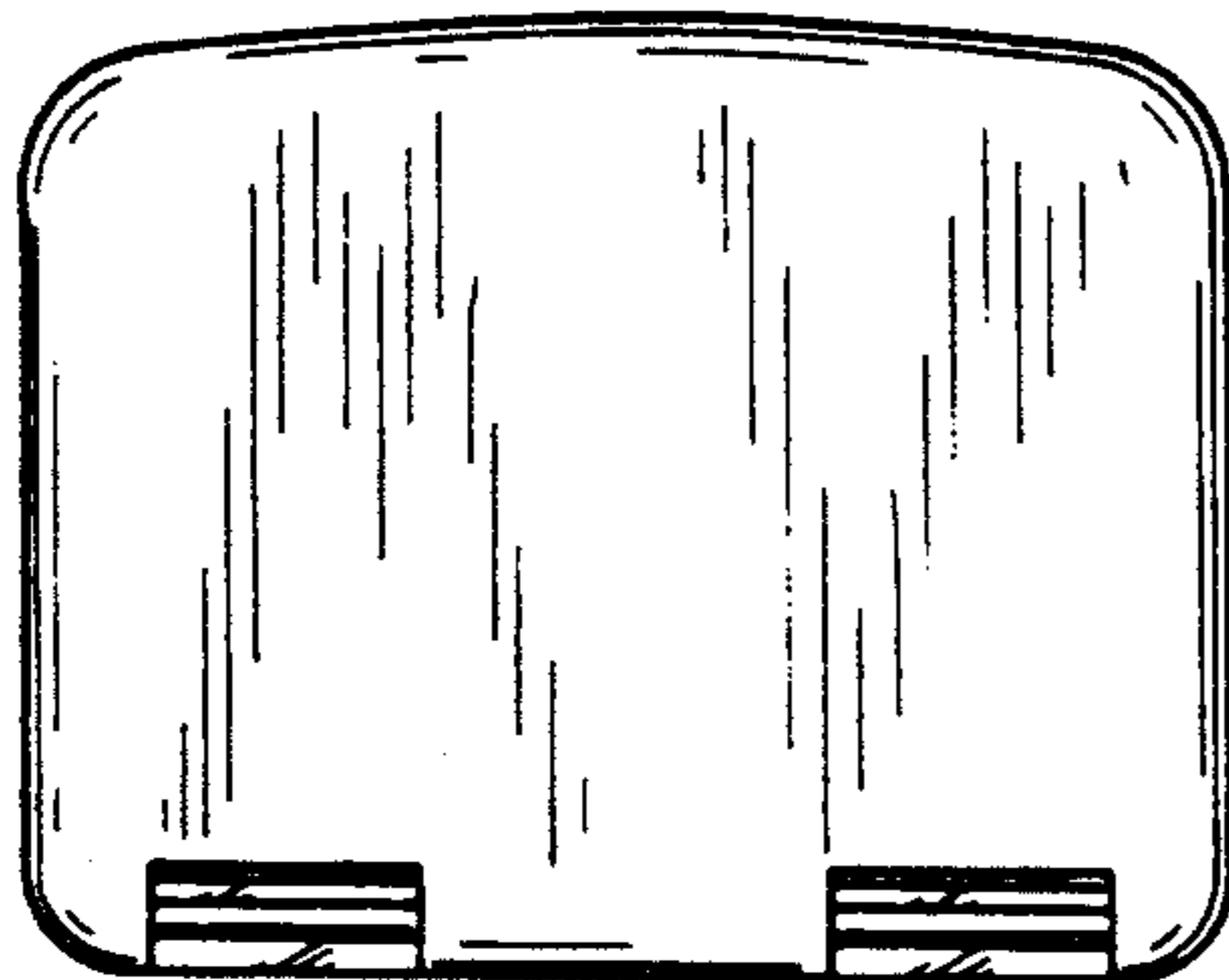


FIG. 3



FIG. 4



FIG. 5

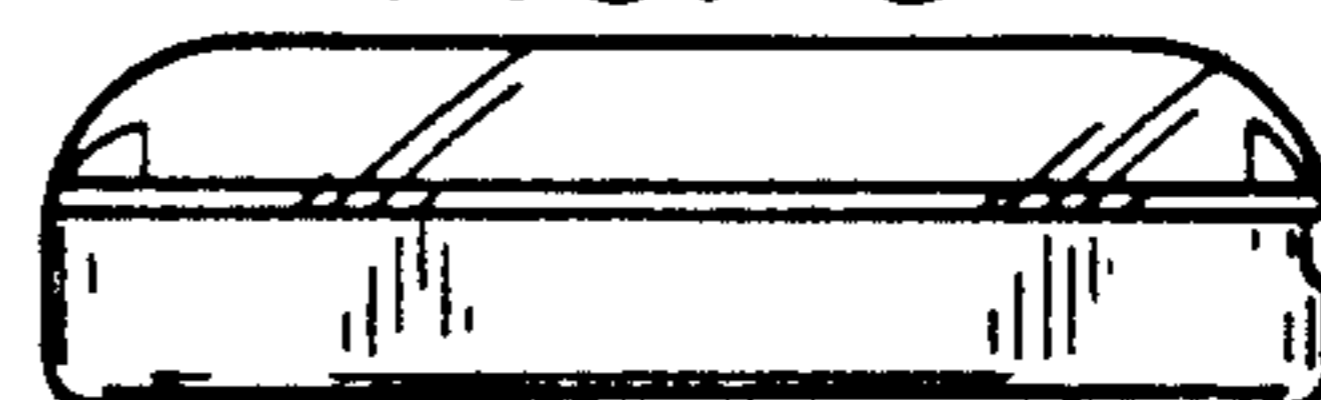


FIG. 6

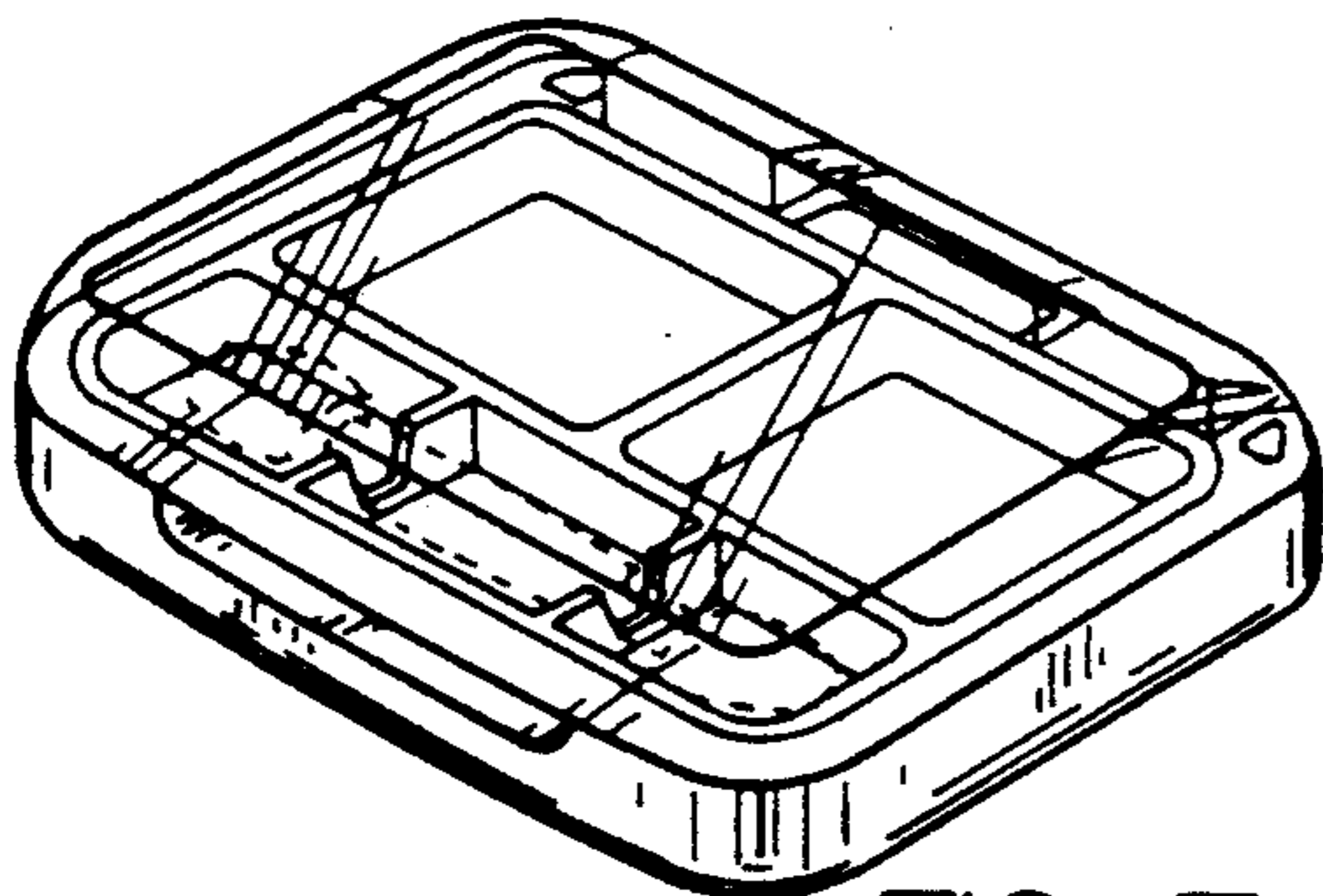


FIG. 7

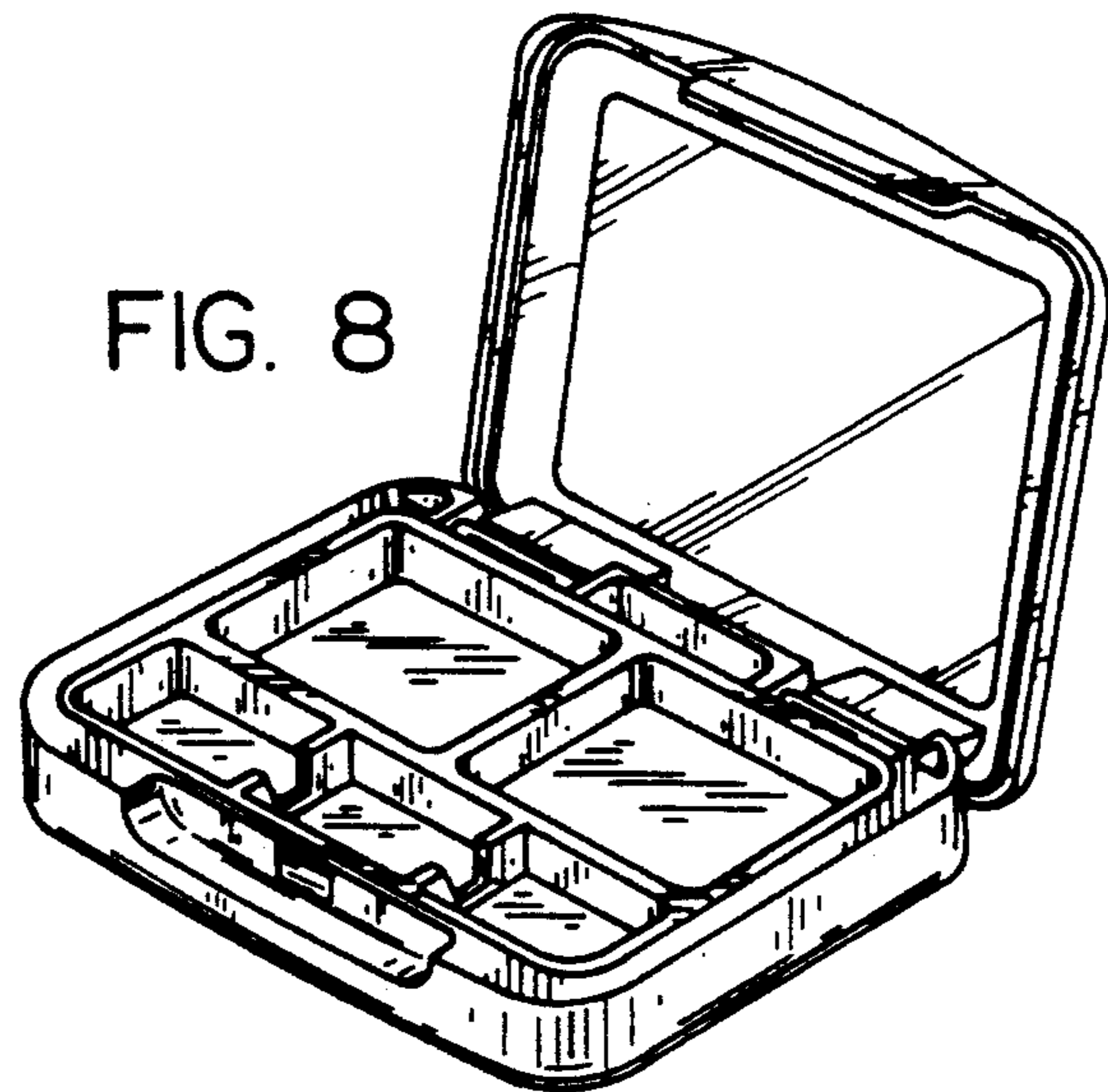


FIG. 8